



US00D810382S

(12) **United States Design Patent**  
**Hiroshima**

(10) **Patent No.:** **US D810,382 S**

(45) **Date of Patent:** **\*\* Feb. 13, 2018**

- (54) **SUSPENSION FOR A HOIST**
- (71) Applicant: **KITO CORPORATION**,  
Nakakoma-gun, Yamanashi (JP)
- (72) Inventor: **Tetsu Hiroshima**, Yamanashi (JP)
- (73) Assignee: **KITO CORPORATION**,  
Nakakoma-Gun (JP)
- (\*\*) Term: **15 Years**
- (21) Appl. No.: **29/551,713**
- (22) Filed: **Jan. 15, 2016**
- (51) **LOC (11) Cl.** ..... **12-05**
- (52) **U.S. Cl.**  
USPC ..... **D34/35**
- (58) **Field of Classification Search**  
USPC ..... D34/33, 35, 28; 254/372, 270, 346, 350,  
254/266, 359, 366, 276, 360, 268, 390  
CPC ..... B66D 1/46; B66D 1/36; B66D 1/7489;  
B66D 1/04; B66D 1/225; B66D 1/12;  
B66D 1/14; B66D 1/20; B66D 1/30;  
B66D 1/34; B66D 1/485  
See application file for complete search history.

- D540,003 S \* 4/2007 Hagihara ..... D34/33
- D671,293 S \* 11/2012 Fredriksson ..... D34/35
- D679,474 S \* 4/2013 Beaussart ..... D34/33
- D704,412 S \* 5/2014 Ishikawa ..... D34/33
- D704,413 S \* 5/2014 Ishikawa ..... D34/33
- D706,514 S \* 6/2014 Weingartner ..... D34/33
- D764,139 S \* 8/2016 Tsai ..... D34/33

\* cited by examiner

*Primary Examiner* — Cynthia Ramirez

(74) *Attorney, Agent, or Firm* — Cantor Colburn LLP

(57) **CLAIM**

The ornamental design for a suspension for a hoist, as shown and described.

**DESCRIPTION**

FIG. 1 is a front perspective view of a suspension for a hoist showing my new design.  
 FIG. 2 is a rear perspective view thereof.  
 FIG. 3 is a front view thereof.  
 FIG. 4 is a rear view thereof.  
 FIG. 5 is a top view thereof.  
 FIG. 6 is a bottom view thereof.  
 FIG. 7 is a right side view thereof.  
 FIG. 8 is a left side view thereof; and,  
 FIG. 9 is a perspective view thereof.

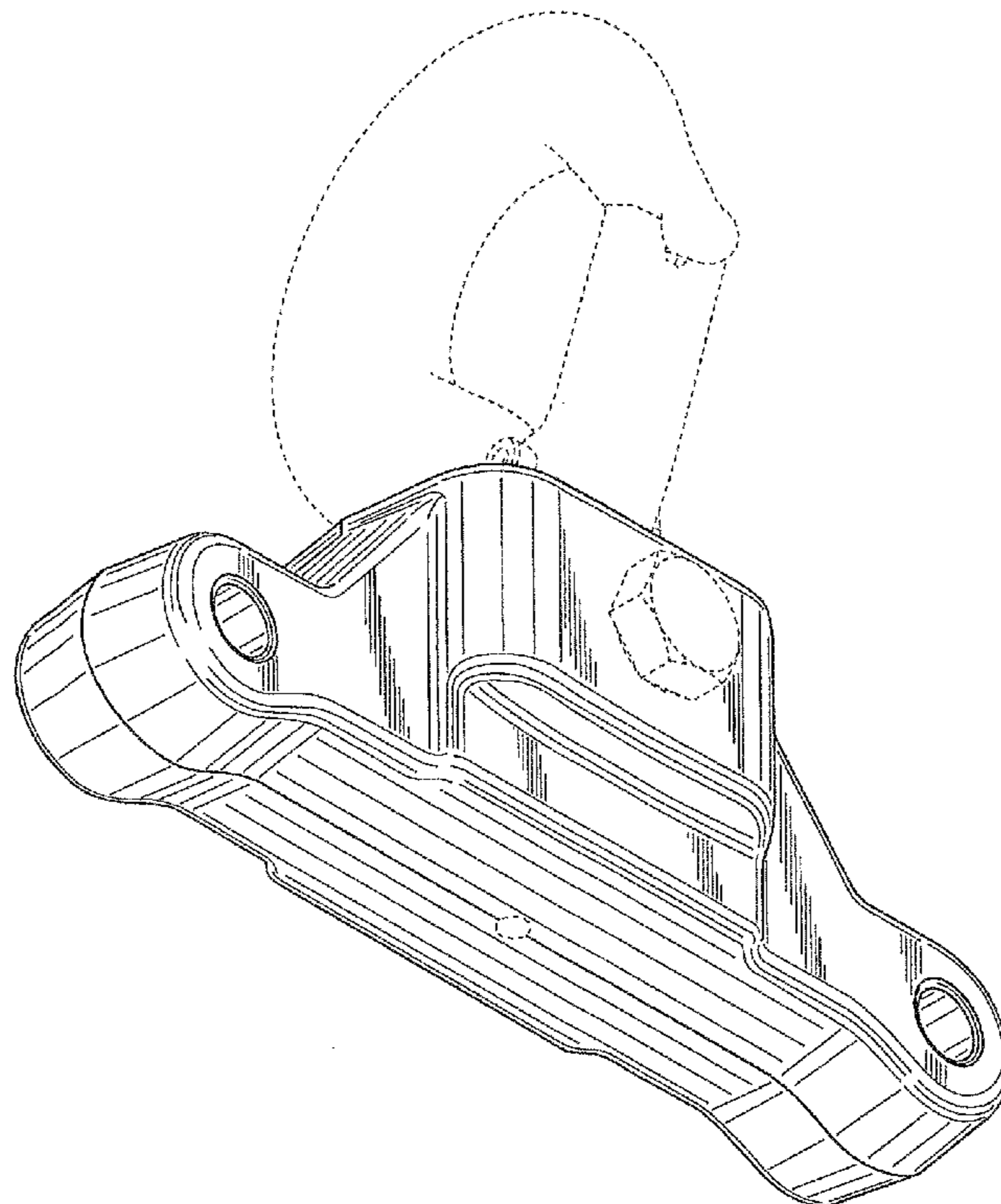
The broken lines in the drawings are for the purpose of illustrating portions of the suspension for a hoist that form no part of the claimed design.

The additional elements shown in broken lines in FIG. 9 are to show environment and form no part of the claimed design.

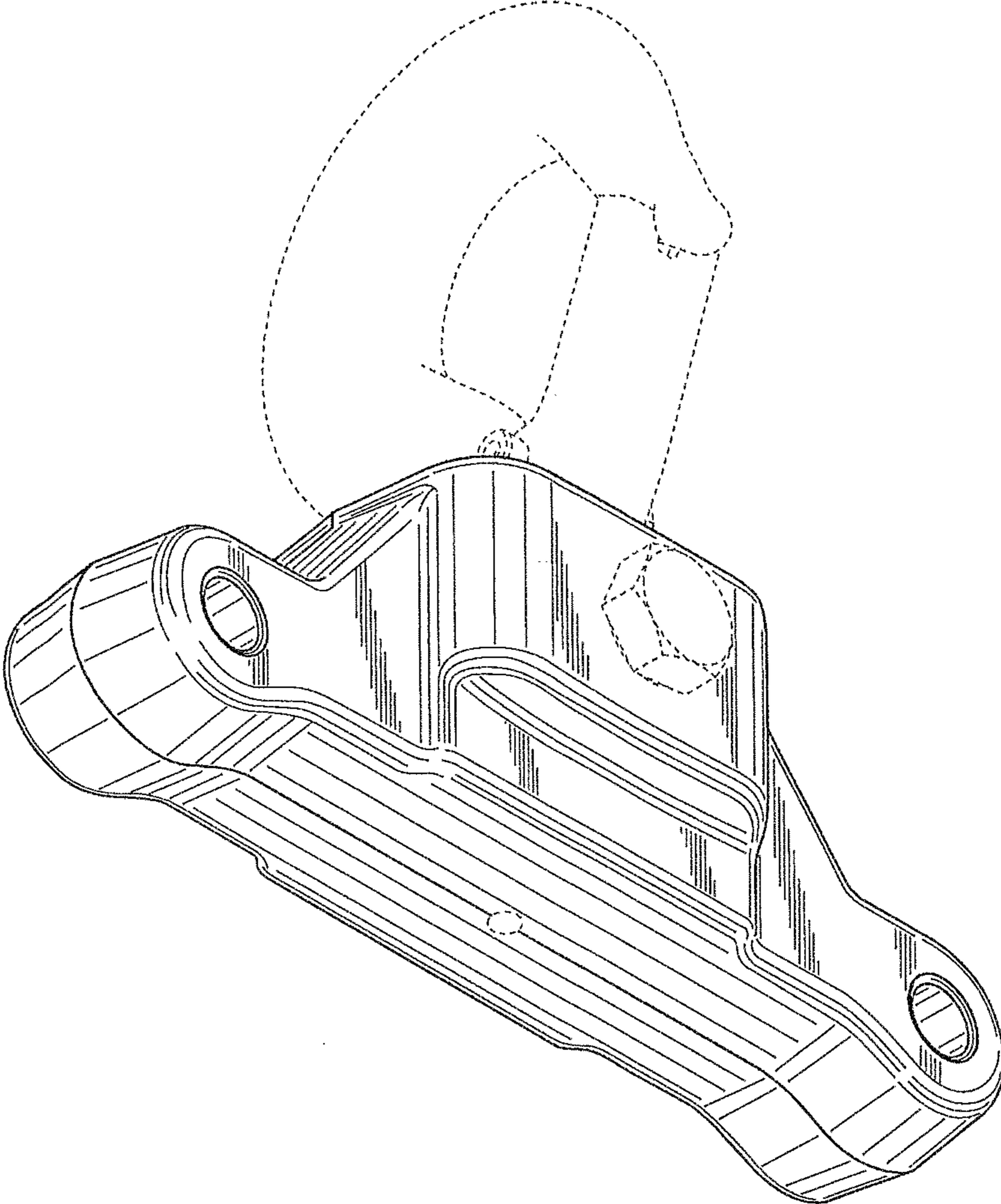
(56) **References Cited**  
U.S. PATENT DOCUMENTS

- D295,104 S \* 4/1988 Pancook ..... D34/33
- D309,969 S \* 8/1990 Tamura ..... D34/28
- D482,507 S \* 11/2003 Xia ..... D34/33

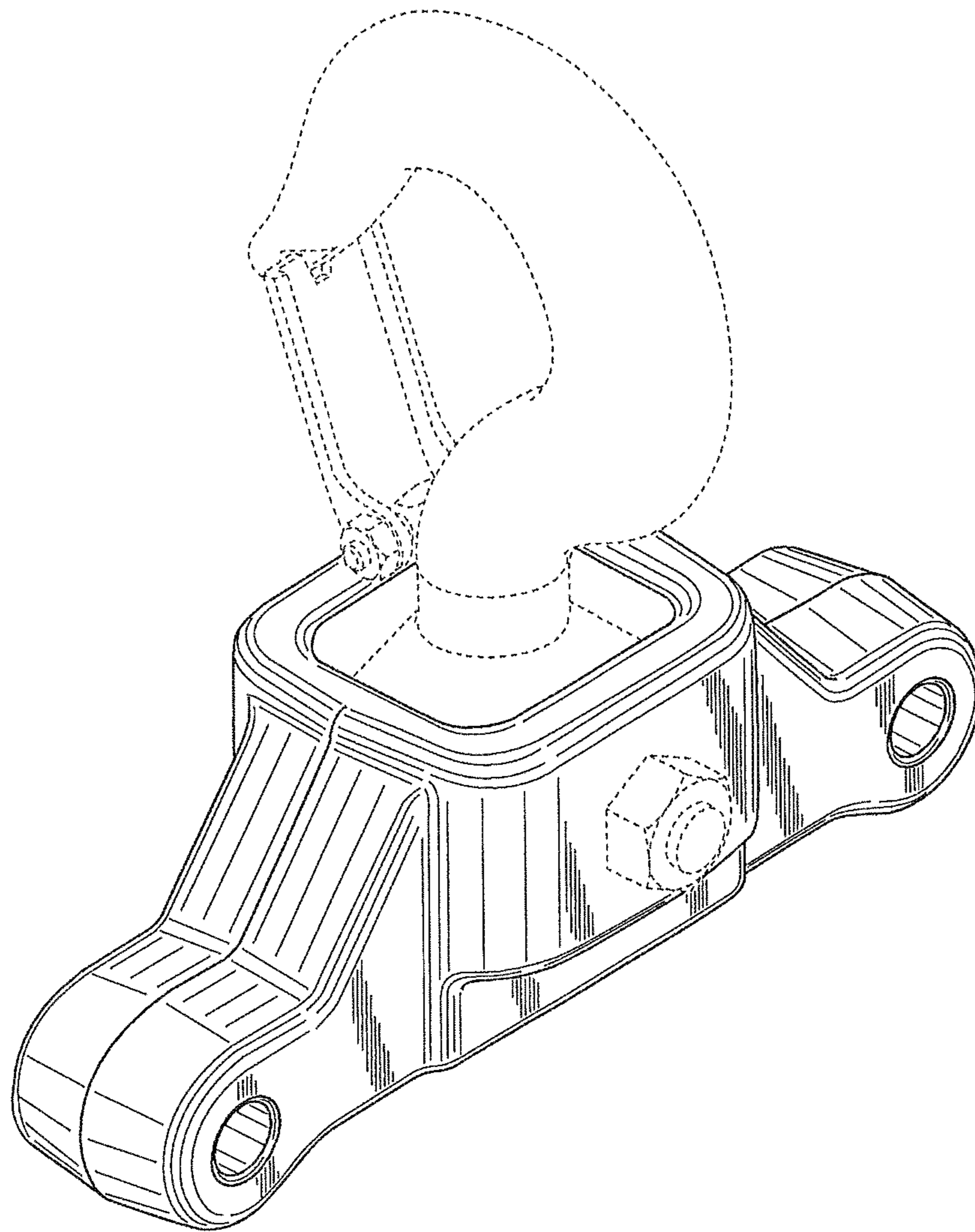
**1 Claim, 9 Drawing Sheets**



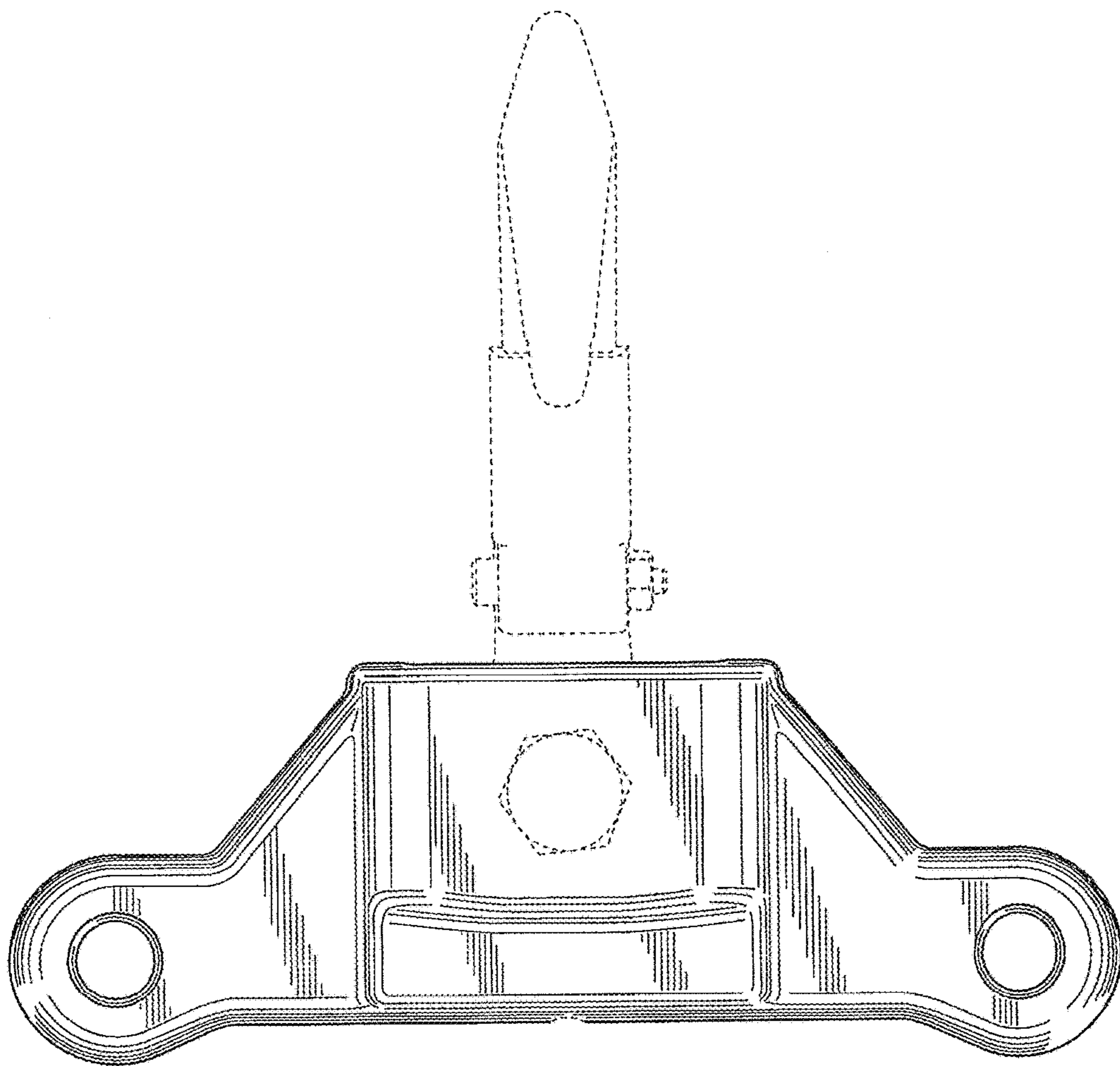
*FIG. 1*



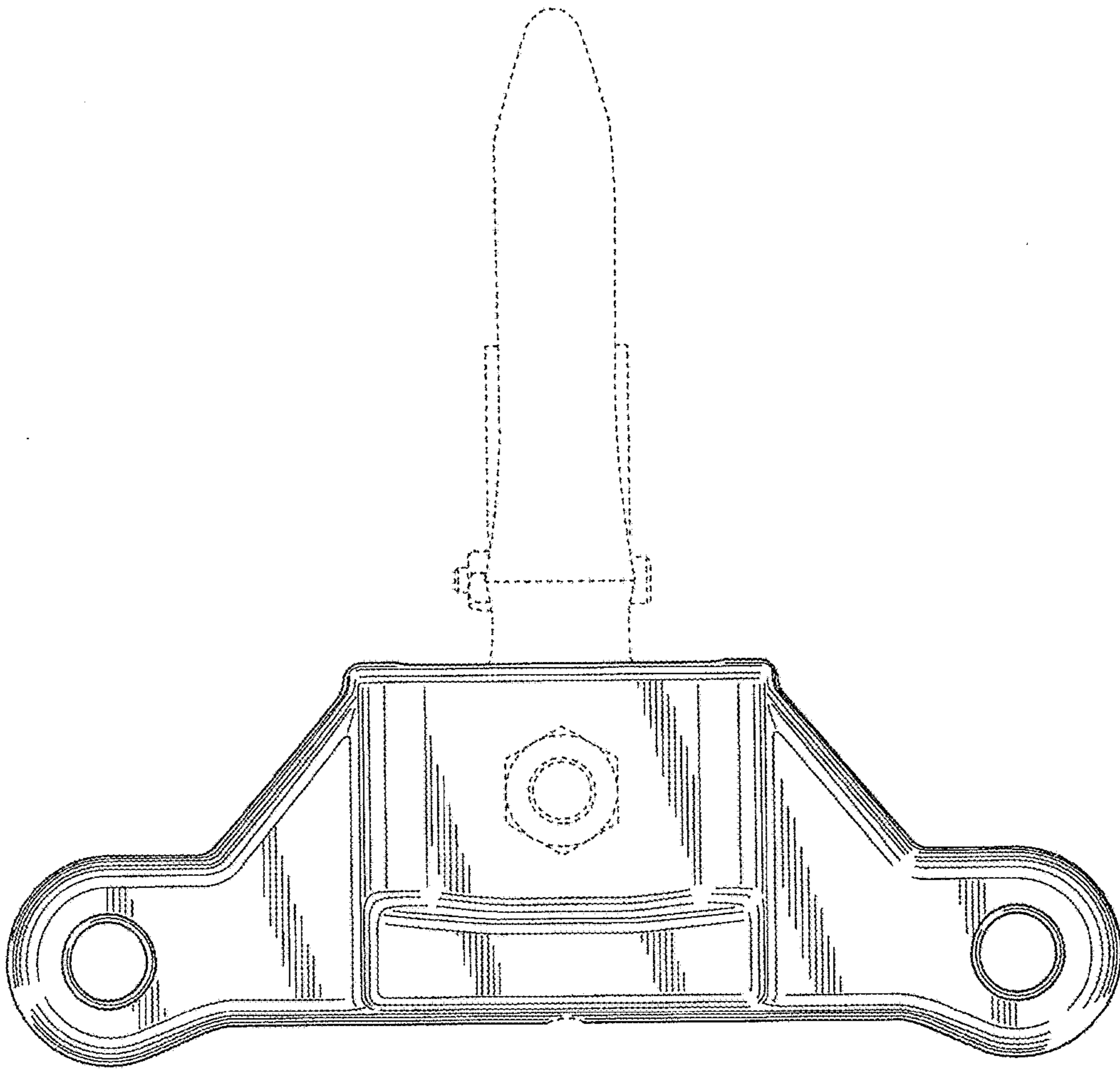
*FIG. 2*



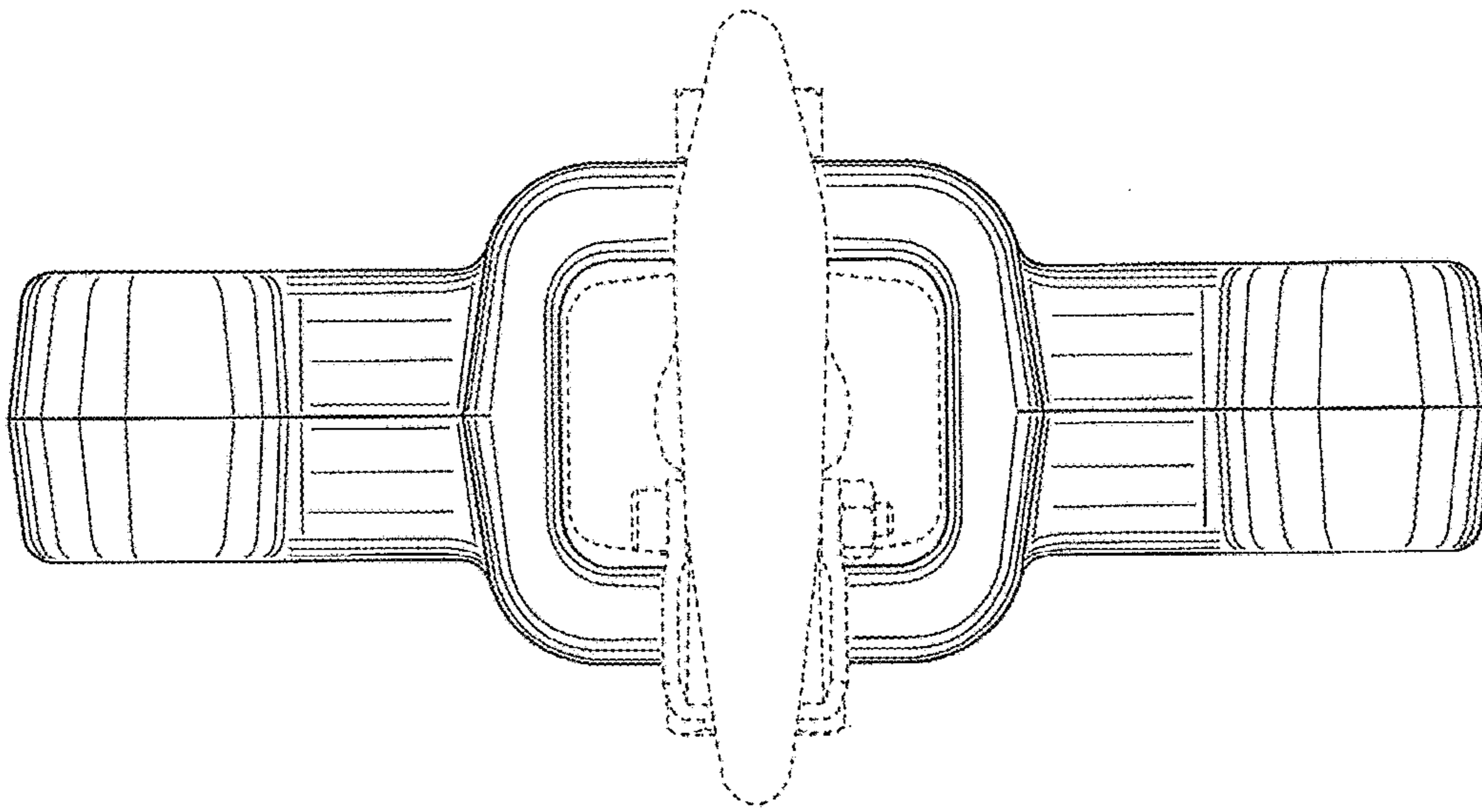
*FIG. 3*



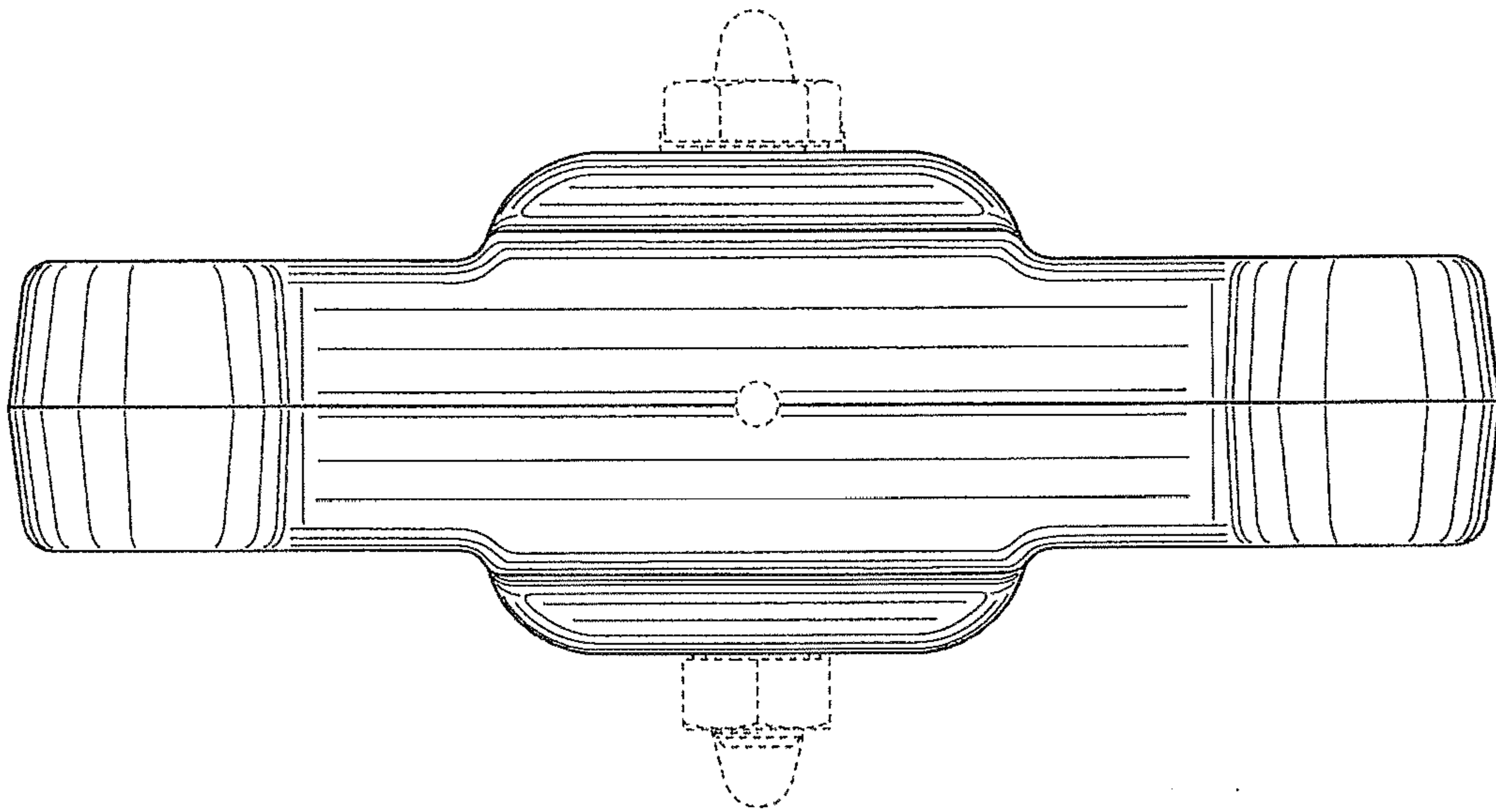
*FIG. 4*



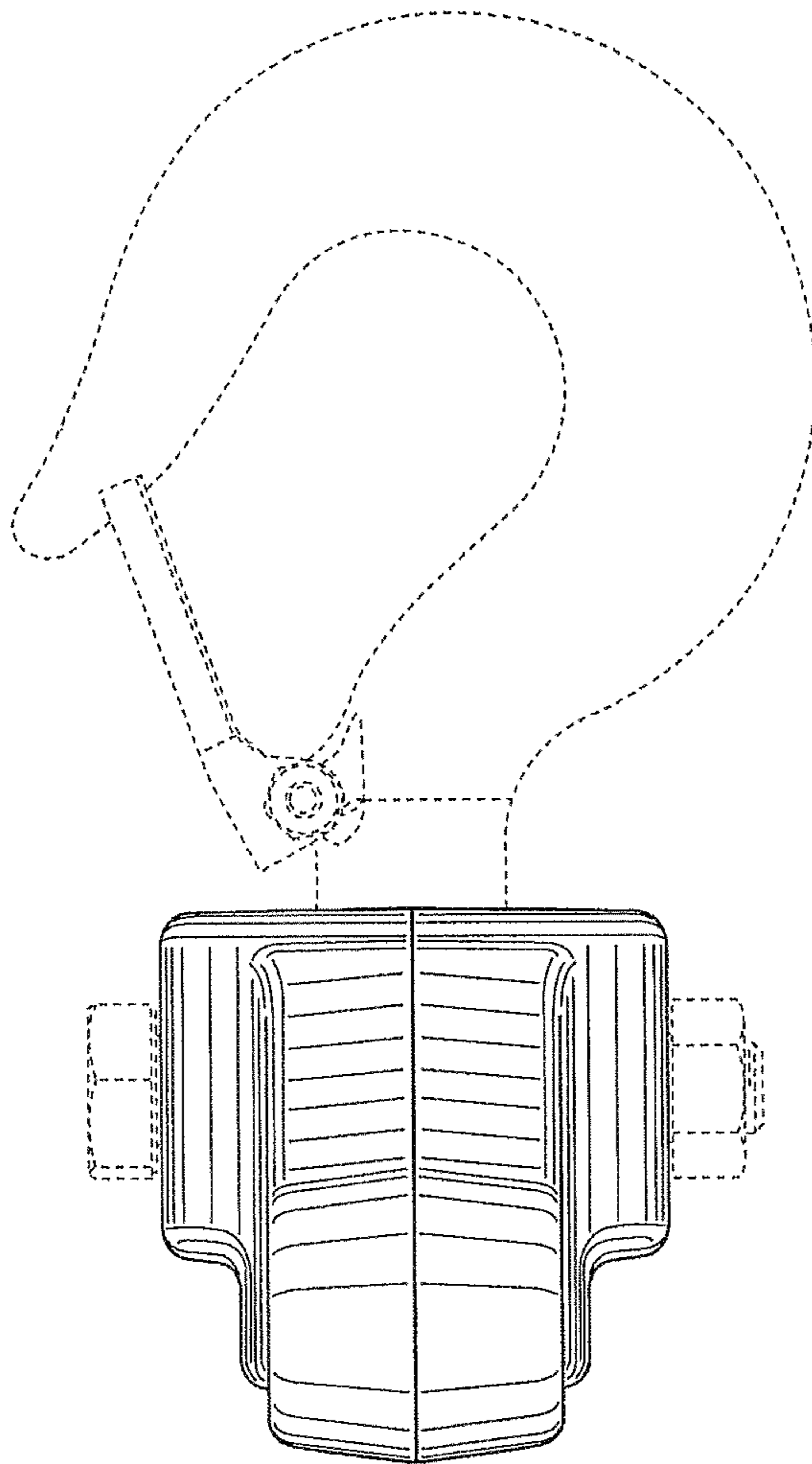
*FIG. 5*



*FIG. 6*

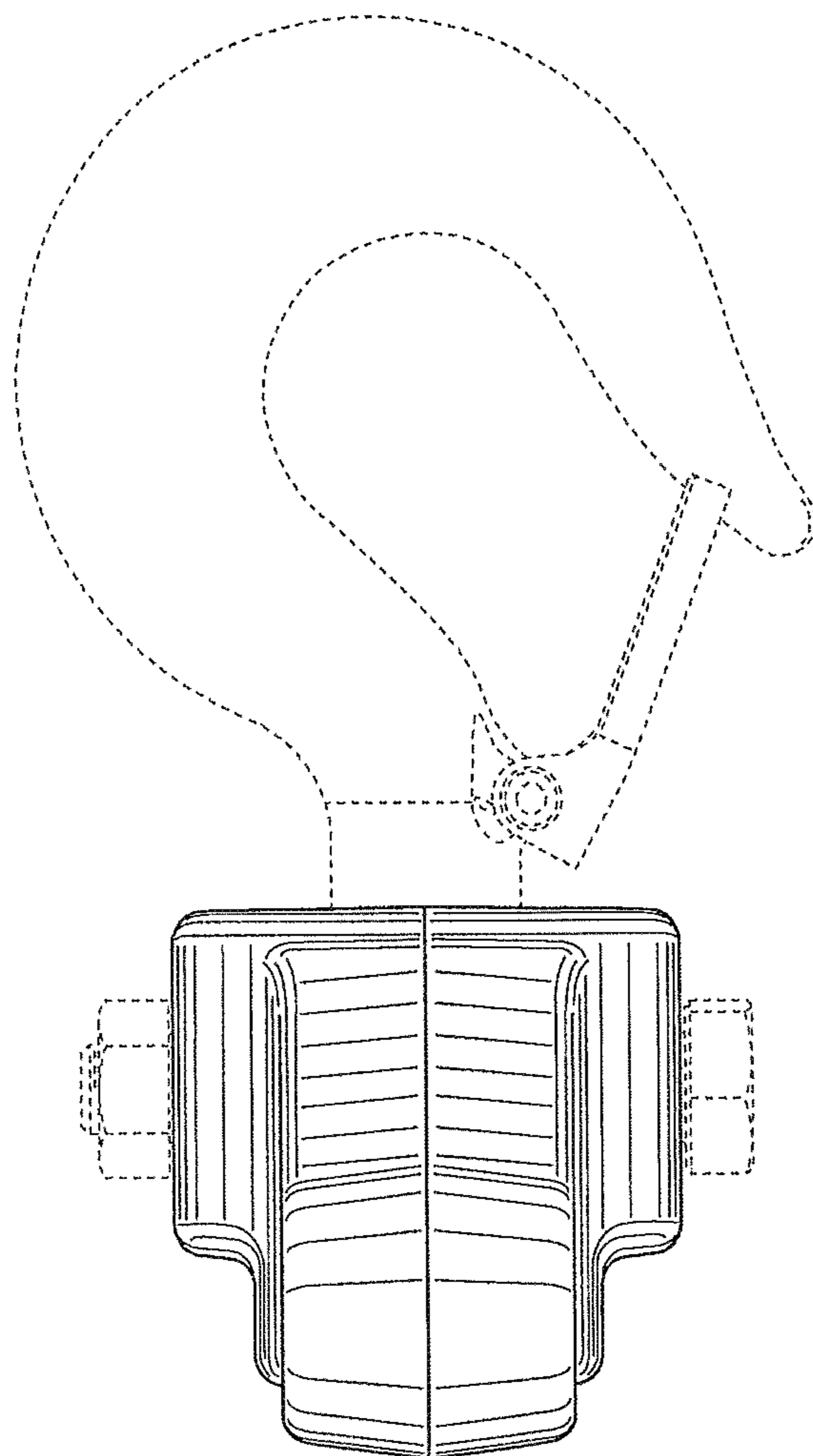


*FIG. 7*





*FIG. 8*



*FIG. 9*

