



US00D810381S

(12) **United States Design Patent**
Prichard

(10) **Patent No.:** **US D810,381 S**
(45) **Date of Patent:** **** Feb. 13, 2018**

- (54) **STACKABLE RACK FOR FABRICATION MATERIAL TRANSPORTATION**
- (71) Applicant: **David Prichard**, Ontario, CA (US)
- (72) Inventor: **David Prichard**, Ontario, CA (US)
- (**) Term: **15 Years**
- (21) Appl. No.: **29/546,008**
- (22) Filed: **Nov. 18, 2015**
- (51) **LOC (11) Cl.** **12-05**
- (52) **U.S. Cl.**
USPC **D34/28; D34/12**
- (58) **Field of Classification Search**
USPC D34/12, 17, 20, 21, 23, 26, 28, 29;
280/79.11, 79.3, 33.997, 47.19, 47.34,
280/47.35, 47.17, 79.4, 652, 33.991,
280/33.993, 38, 638, 35, 33.998, 13,
280/47.26; 414/426-429, 462; 671/671,
671/676; 198/837, 860.1, 861.1, 624,
198/643; 211/20, 21
CPC B62B 3/10; B62B 3/00; B62B 3/04; B62B
5/0093; B62B 5/0438; B62B 3/16; B62B
1/006
See application file for complete search history.

- D371,450 S 7/1996 Hodges
- D388,923 S 1/1998 Pacheco et al.
- 5,876,173 A * 3/1999 English, Jr. A47B 91/002
254/8 R
- 5,906,384 A * 5/1999 Nelson B60D 1/00
280/33.998
- D427,406 S 6/2000 Hartwall
- D458,432 S 6/2002 Whiteside et al.
- D468,512 S 1/2003 Hernandez
- D488,905 S * 4/2004 DiStaulo D34/28
- 6,773,222 B1 8/2004 Gilchrist
- D594,622 S 6/2009 Kissun
- D600,873 S * 9/2009 Banasik D34/23
- D602,670 S 10/2009 Laursen
- D650,957 S 12/2011 Erickson

(Continued)

Primary Examiner — Cynthia Ramirez

Assistant Examiner — Gino Colan

(74) *Attorney, Agent, or Firm* — Kirk A. Buhler; Buhler & Associates

(57) **CLAIM**

The ornamental design for a stackable rack for fabrication material transportation, as shown and described.

DESCRIPTION

FIG. 1 is a top perspective view of a stackable rack for fabrication material transportation showing my new design; FIG. 2 is a front elevation view thereof; FIG. 3 is a back elevation view thereof; FIG. 4 is a top plan view thereof; FIG. 5 is a bottom plan view thereof; and, FIG. 6 is a left side elevation view, the right side elevation being a mirror image of FIG. 6.

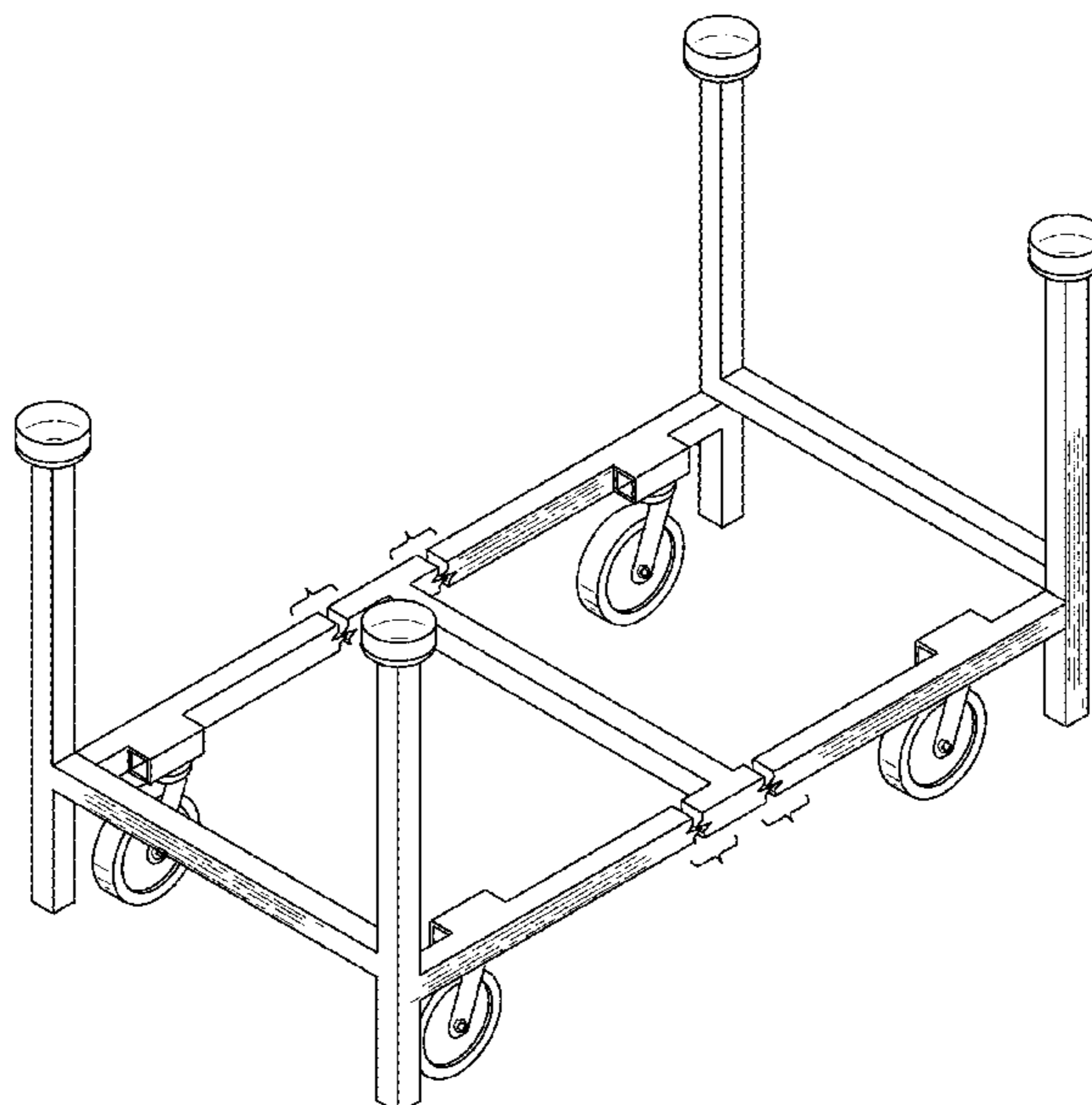
The stackable rack for fabrication material transportation is shown with symbolic breaks in the middle. The appearance of any portion of the article beyond the break lines forms no part of the claimed design.

1 Claim, 5 Drawing Sheets

(56) **References Cited**

U.S. PATENT DOCUMENTS

- 2,763,491 A * 9/1956 Shafer, Jr. F24C 15/086
220/628
- D288,739 S * 3/1987 Johnson, Jr. D34/17
- D295,337 S * 4/1988 Bogart 280/35
- D302,891 S 8/1989 Lardell
- D333,200 S 2/1993 Berrian
- D340,562 S 10/1993 Kean et al.
- D348,132 S * 6/1994 McCoy D34/17
- D361,587 S 8/1995 Chapman
- D366,547 S 1/1996 Arn



(56)

References Cited

U.S. PATENT DOCUMENTS

2015/0175183 A1* 6/2015 Allos B62B 3/008
280/47.34

* cited by examiner

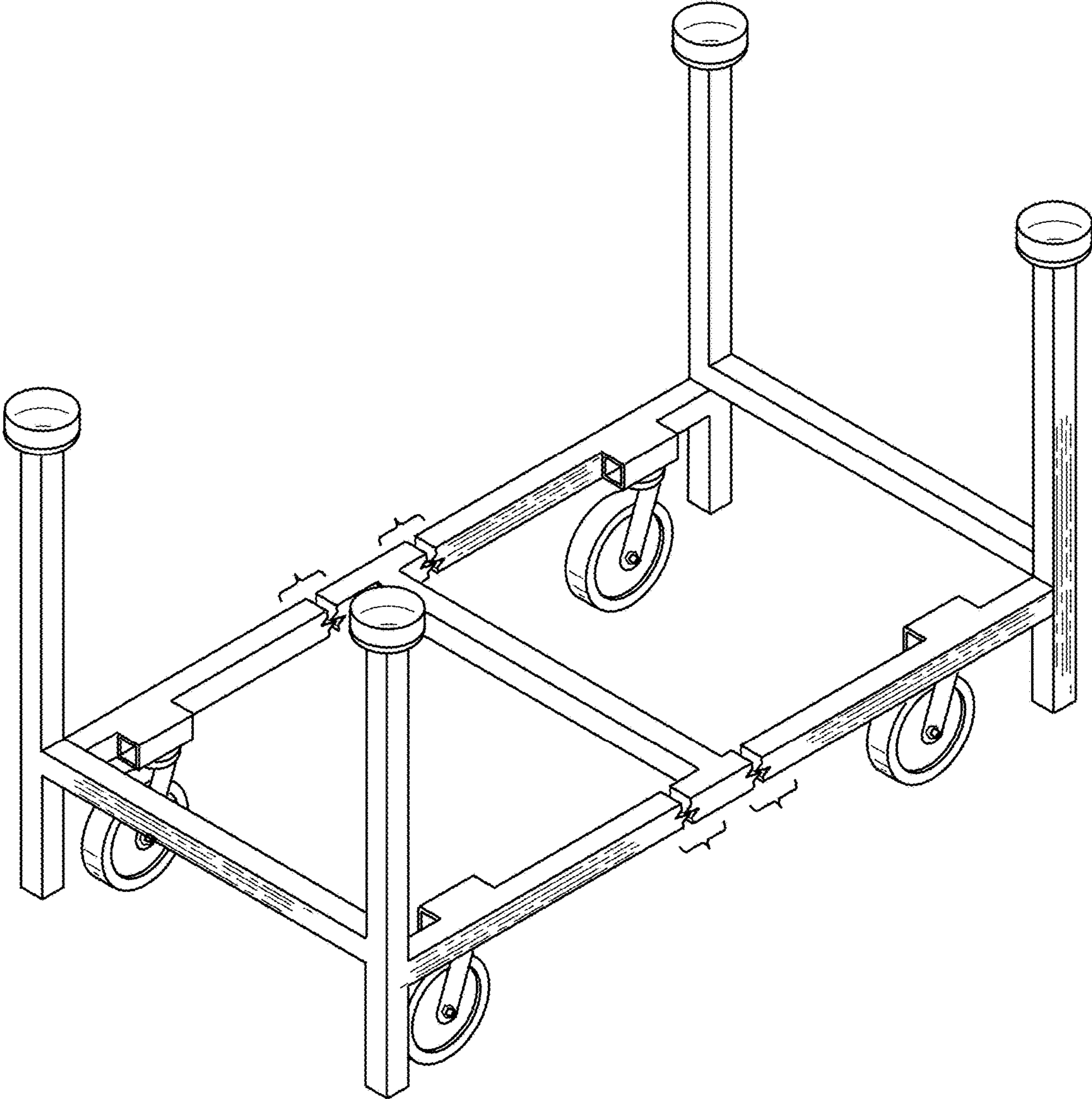


FIG 1

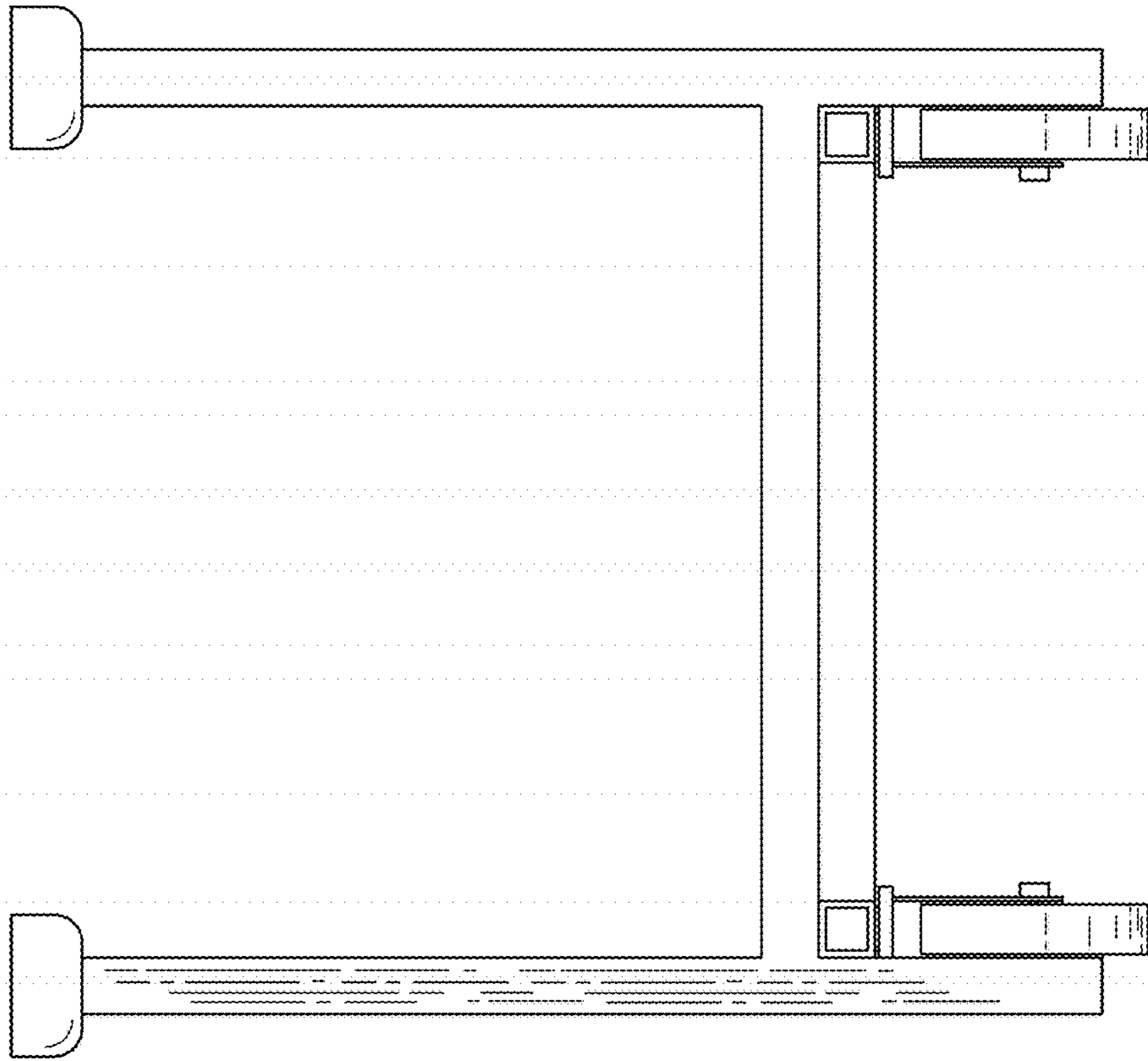


FIG. 2

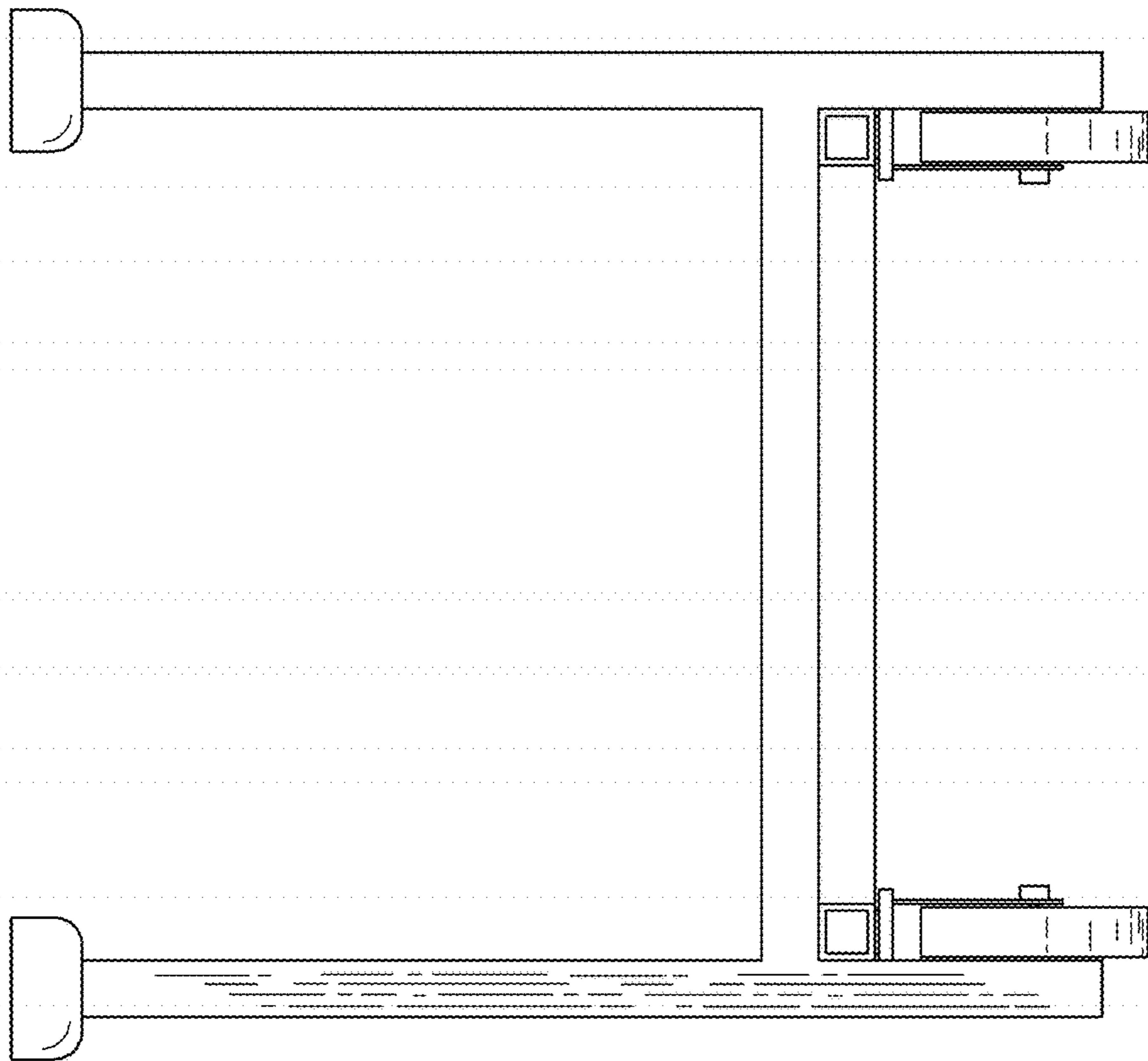


FIG. 3

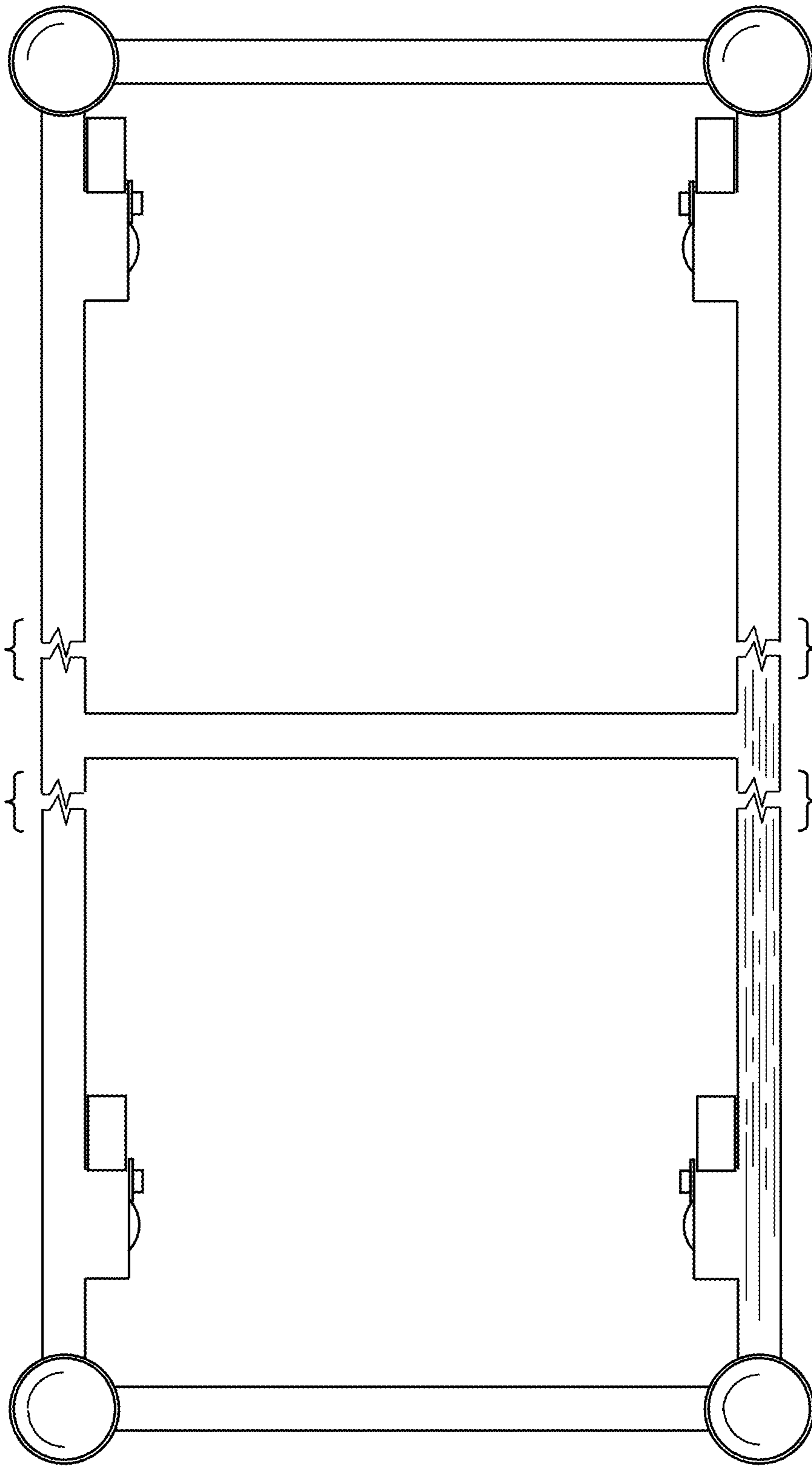


FIG. 4

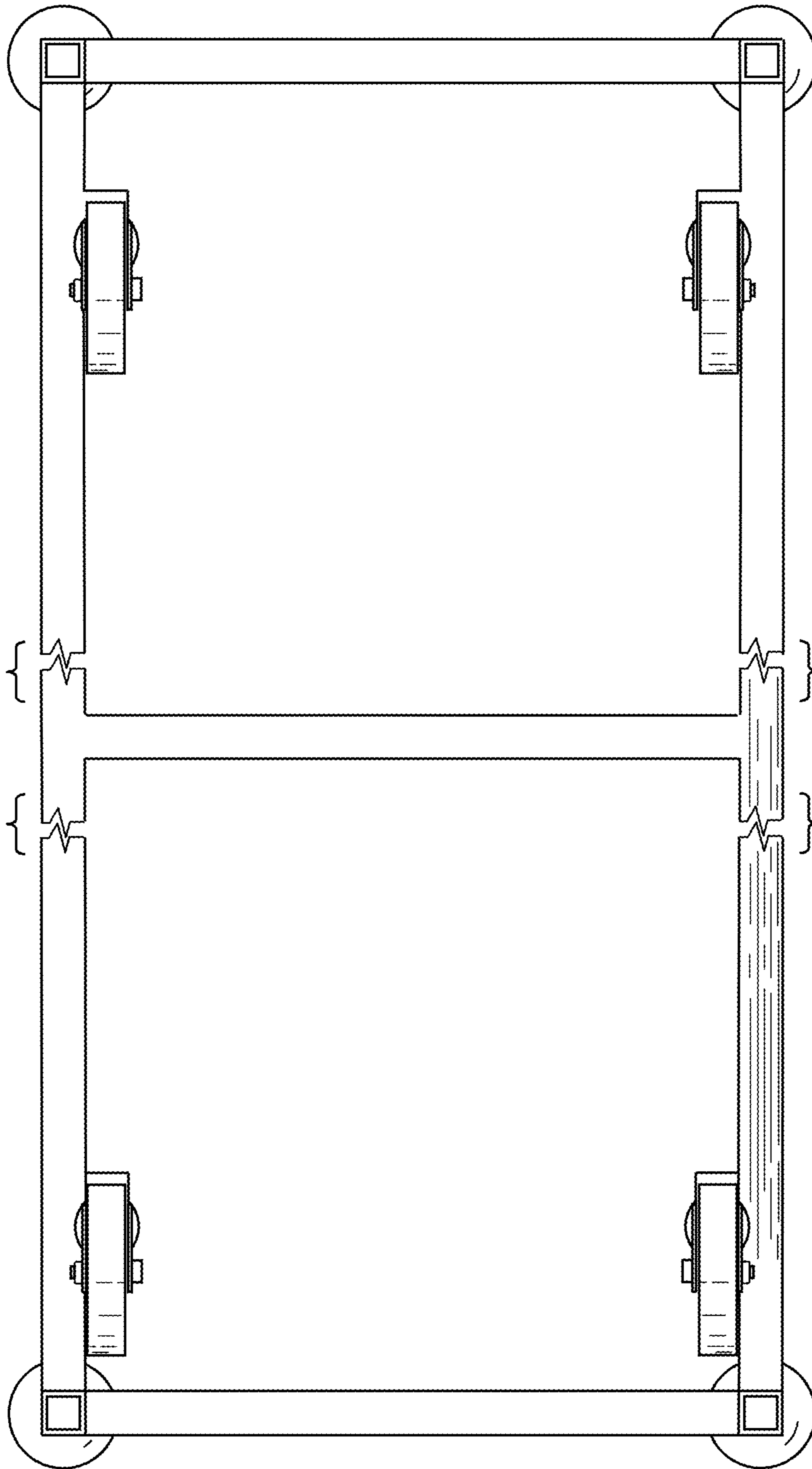


FIG 5

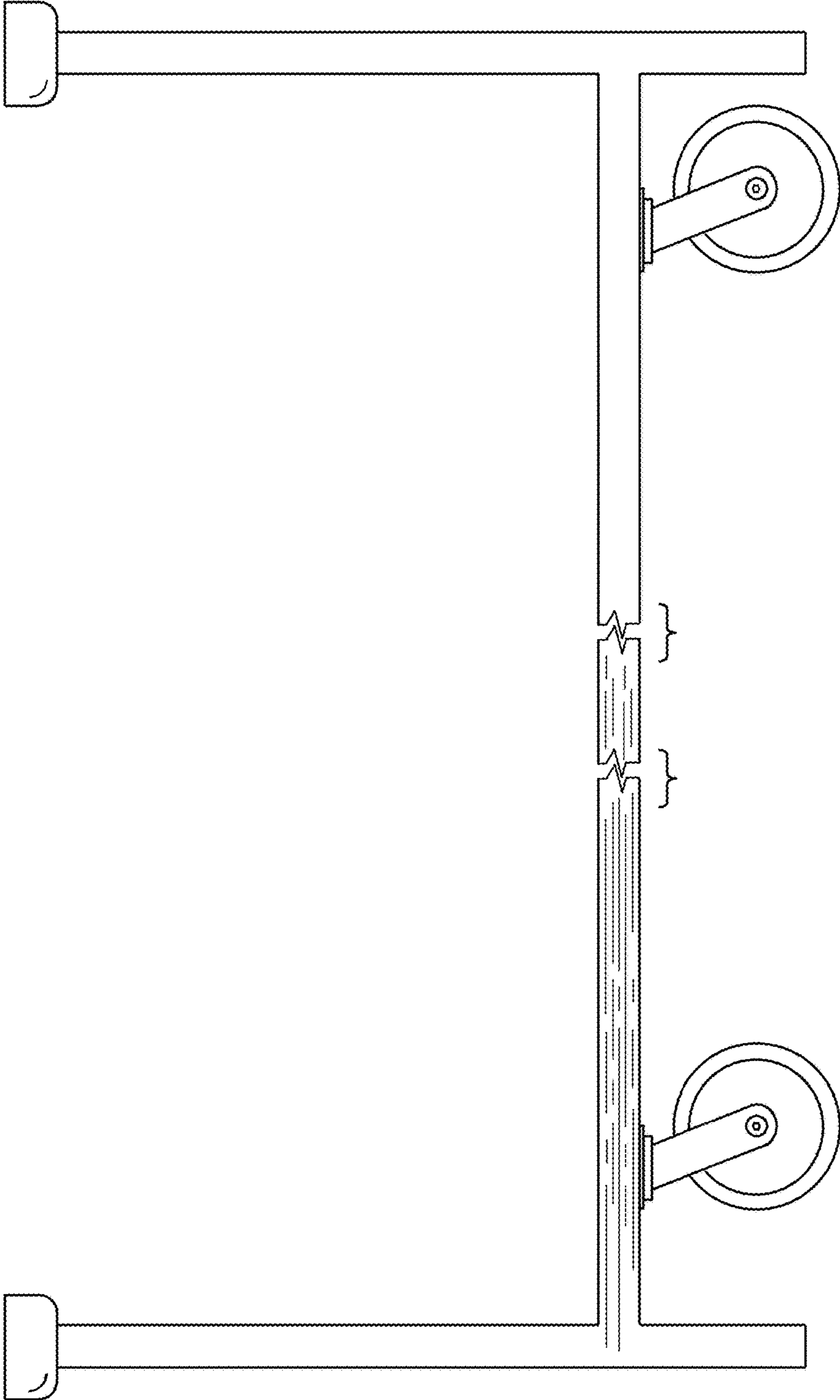


FIG. 6