



US00D810377S

(12) **United States Design Patent** (10) **Patent No.:** **US D810,377 S**
Sukhov et al. (45) **Date of Patent:** **** Feb. 13, 2018**

(54) **STORAGE CART** 5,478,189 A * 12/1995 Agtuca B64F 1/32
414/345
(71) Applicant: **Star Way Systems Corporation,** D420,187 S * 2/2000 Houry D34/12
Temecula, CA (US) D444,930 S * 7/2001 Brown D34/12
D574,628 S * 8/2008 Grela D6/684

(72) Inventors: **Alex Nicolai Sukhov,** Temecula, CA (US); **Nathanial Alexander Sukhov,** Temecula, CA (US)

* cited by examiner

(73) Assignee: **STAR WAY SYSTEMS CORPORATION,** Temecula, CA (US)

Primary Examiner — Cynthia Ramirez

(74) *Attorney, Agent, or Firm* — Entralta P.C.; Justin G. Sanders; Peter D. Weinstein

(**) Term: **15 Years**

(57) **CLAIM**

(21) Appl. No.: **29/558,885**

The ornamental design for a storage cart, as shown and described.

(22) Filed: **Mar. 22, 2016**

(51) **LOC (11) Cl.** **12-02**

(52) **U.S. Cl.**
USPC **D34/12**

DESCRIPTION

(58) **Field of Classification Search**
USPC D34/12-27; 280/47.35, 79.3
CPC B62B 3/02; B62B 3/002; B62B 3/006;
B62B 3/10

FIG. 1 is a perspective view of our new storage cart design; FIG. 2 is a side view thereof, both side views being identical; FIG. 3 is a front view thereof, the rear view being identical thereto;

See application file for complete search history.

FIG. 4 is a top view thereof; and,

FIG. 5 is a bottom view thereof.

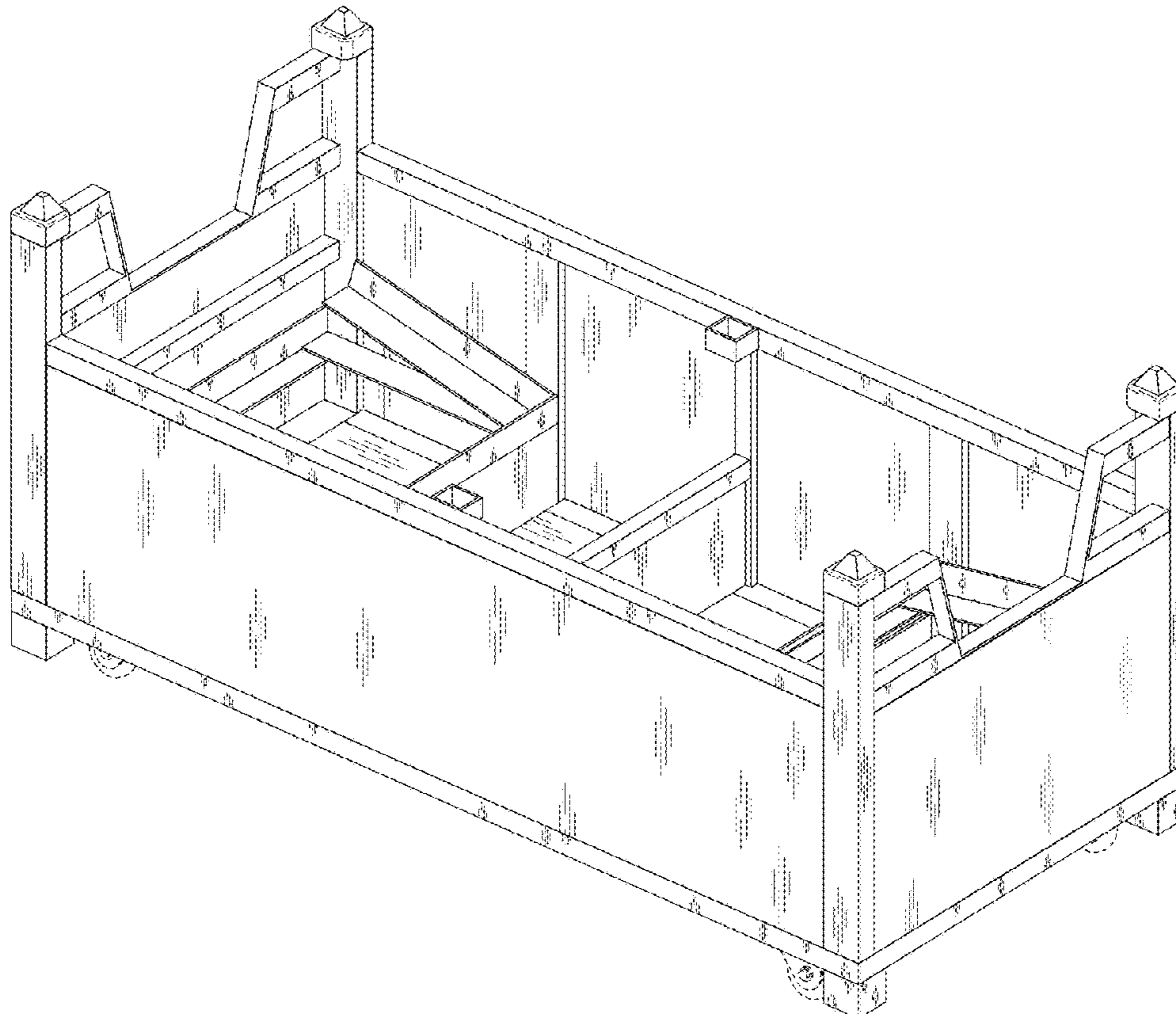
The broken lines shown are included only for the purpose of illustrating unclaimed portions of the article and form no part of the claimed design.

(56) **References Cited**

U.S. PATENT DOCUMENTS

D304,111 S * 10/1989 Mehalick D34/12
D307,209 S * 4/1990 Gallagher D34/12

1 Claim, 3 Drawing Sheets



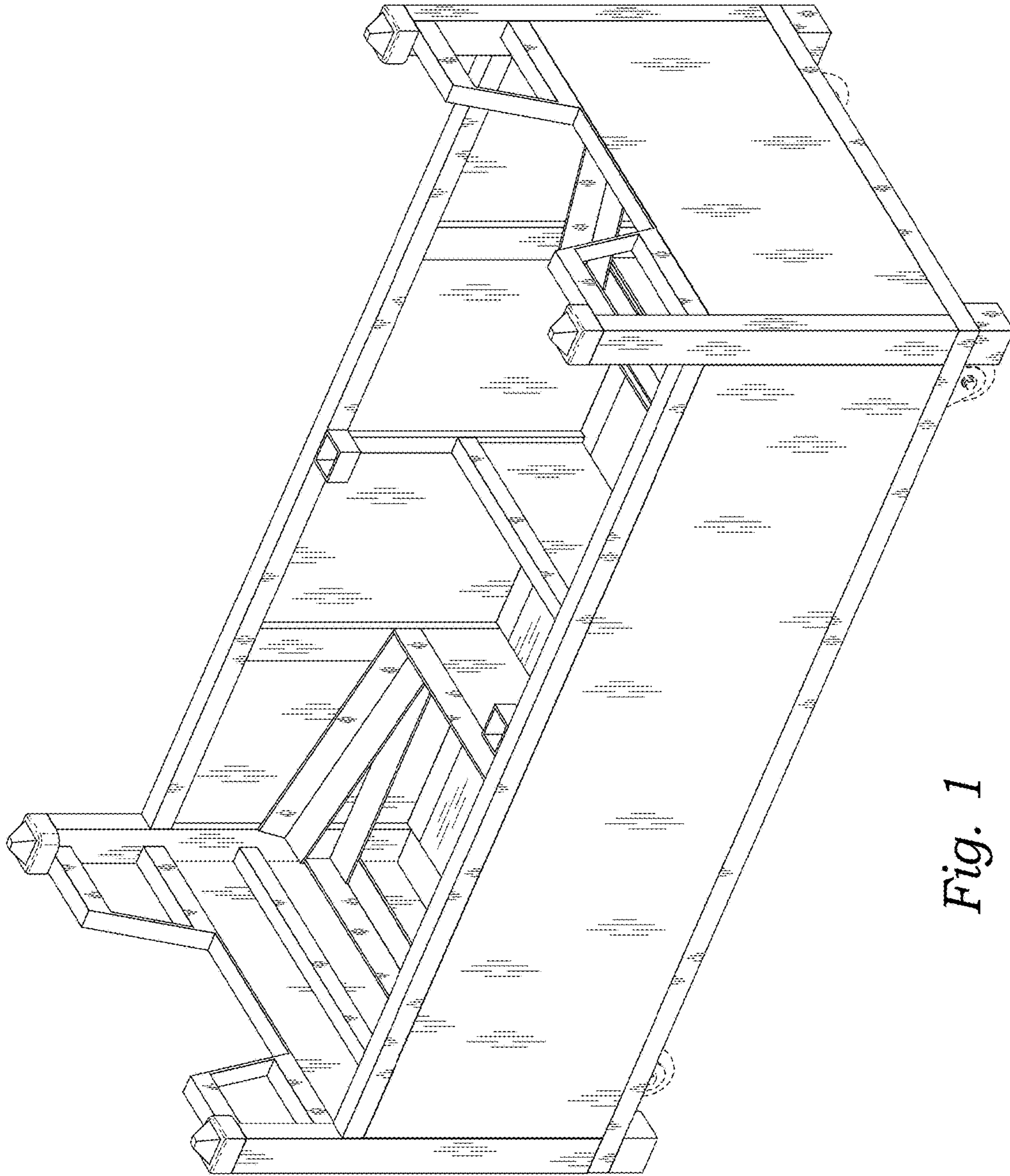


Fig. 1

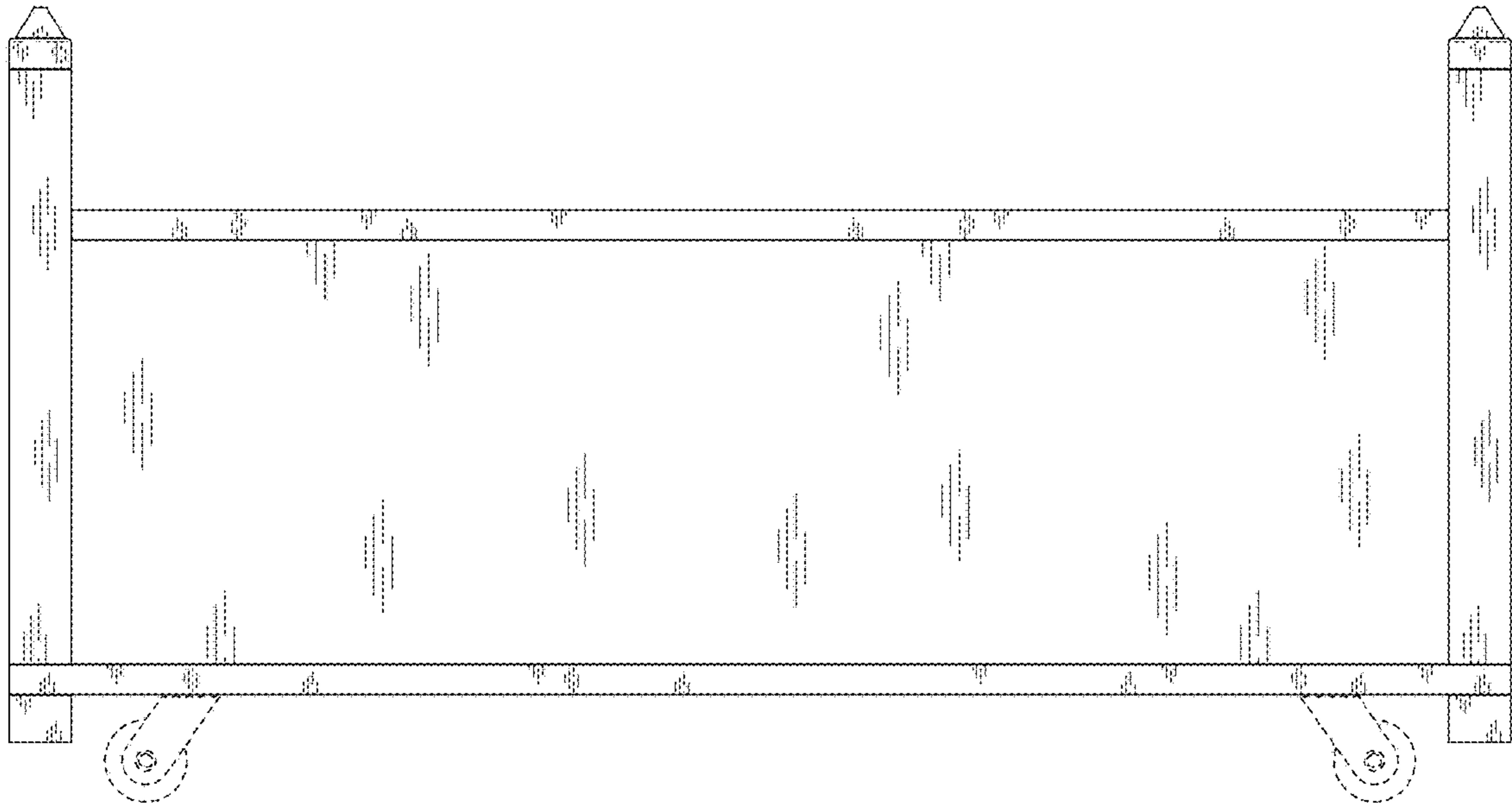


Fig. 2

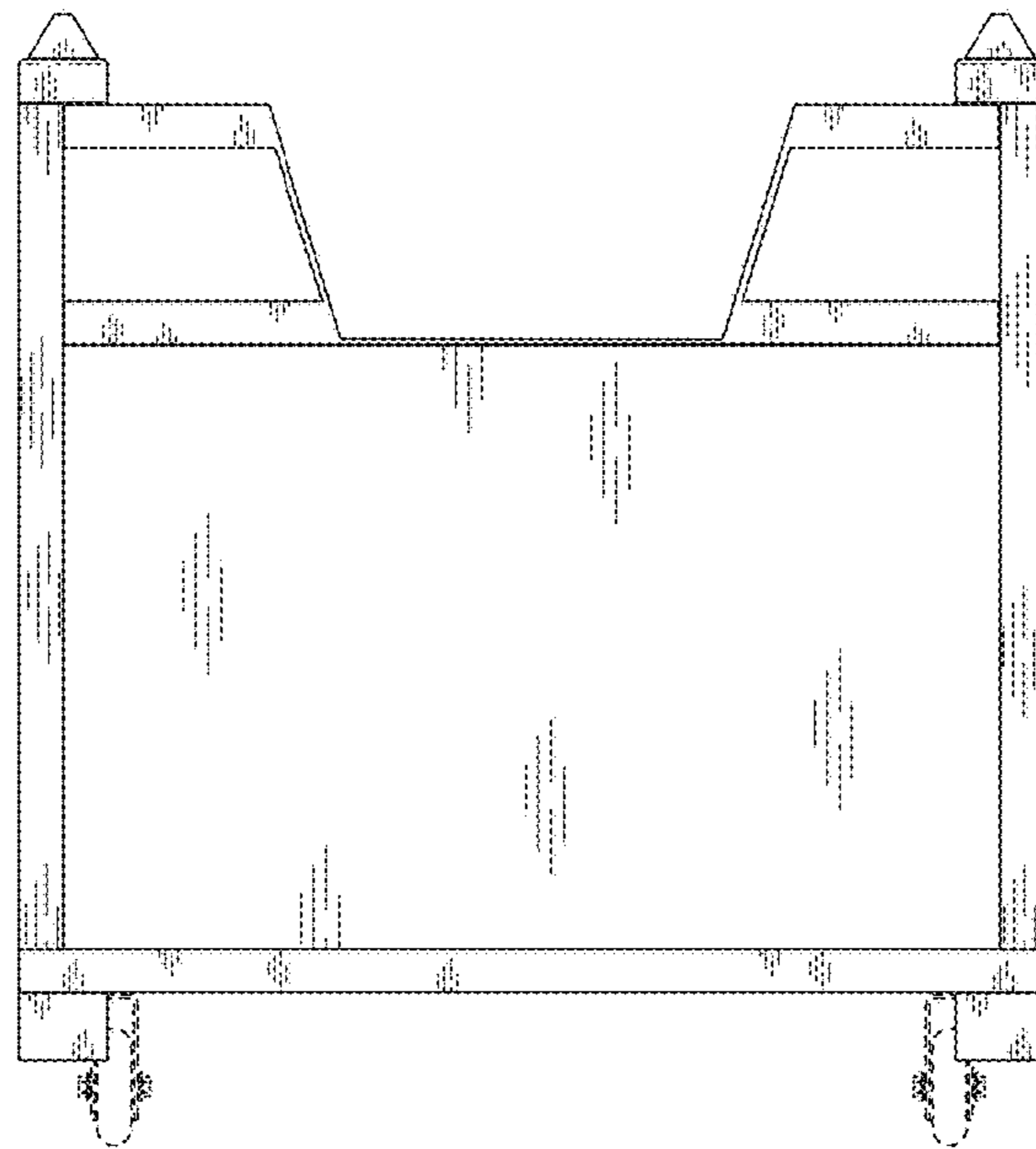


Fig. 3

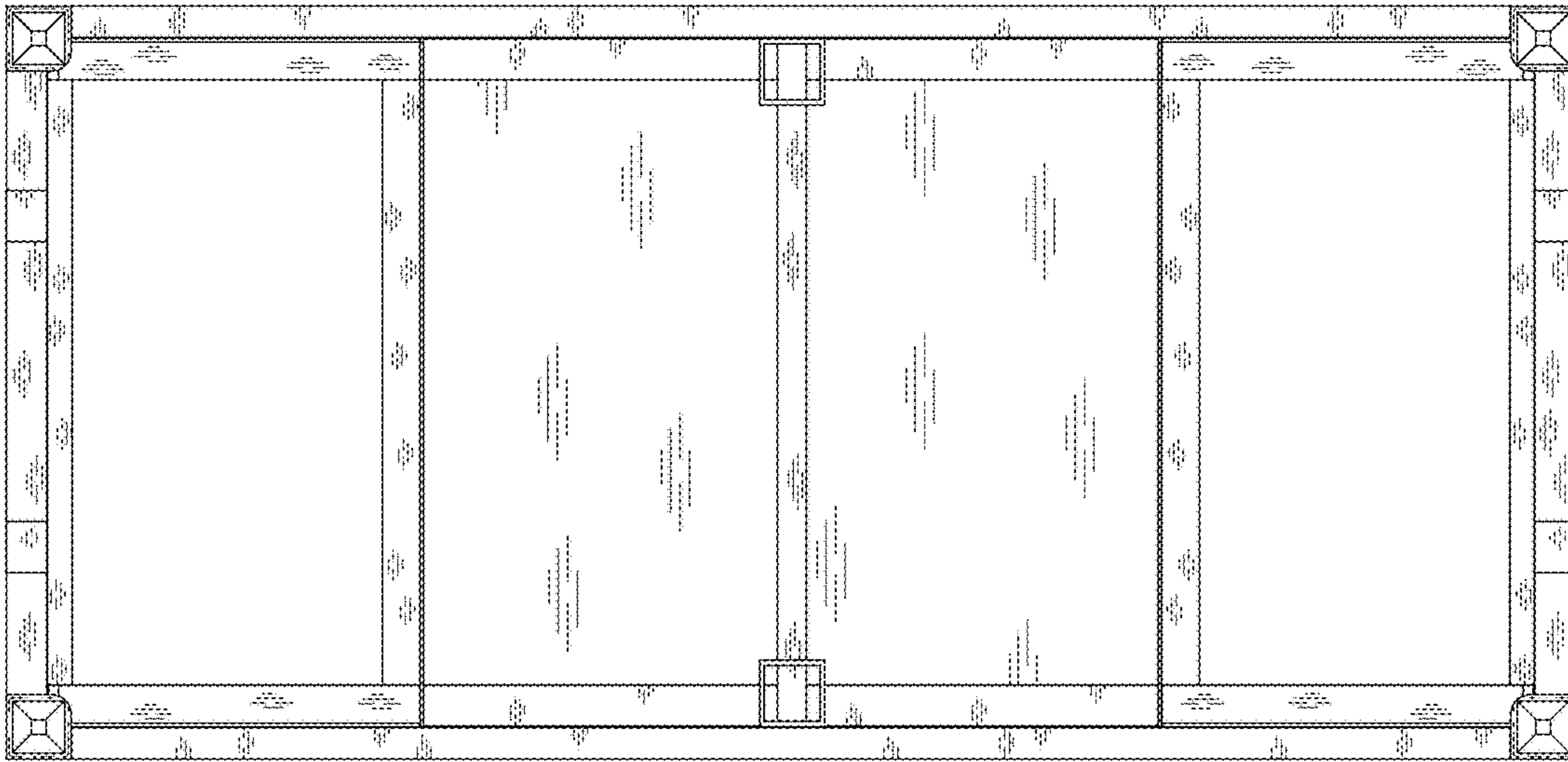


Fig. 4

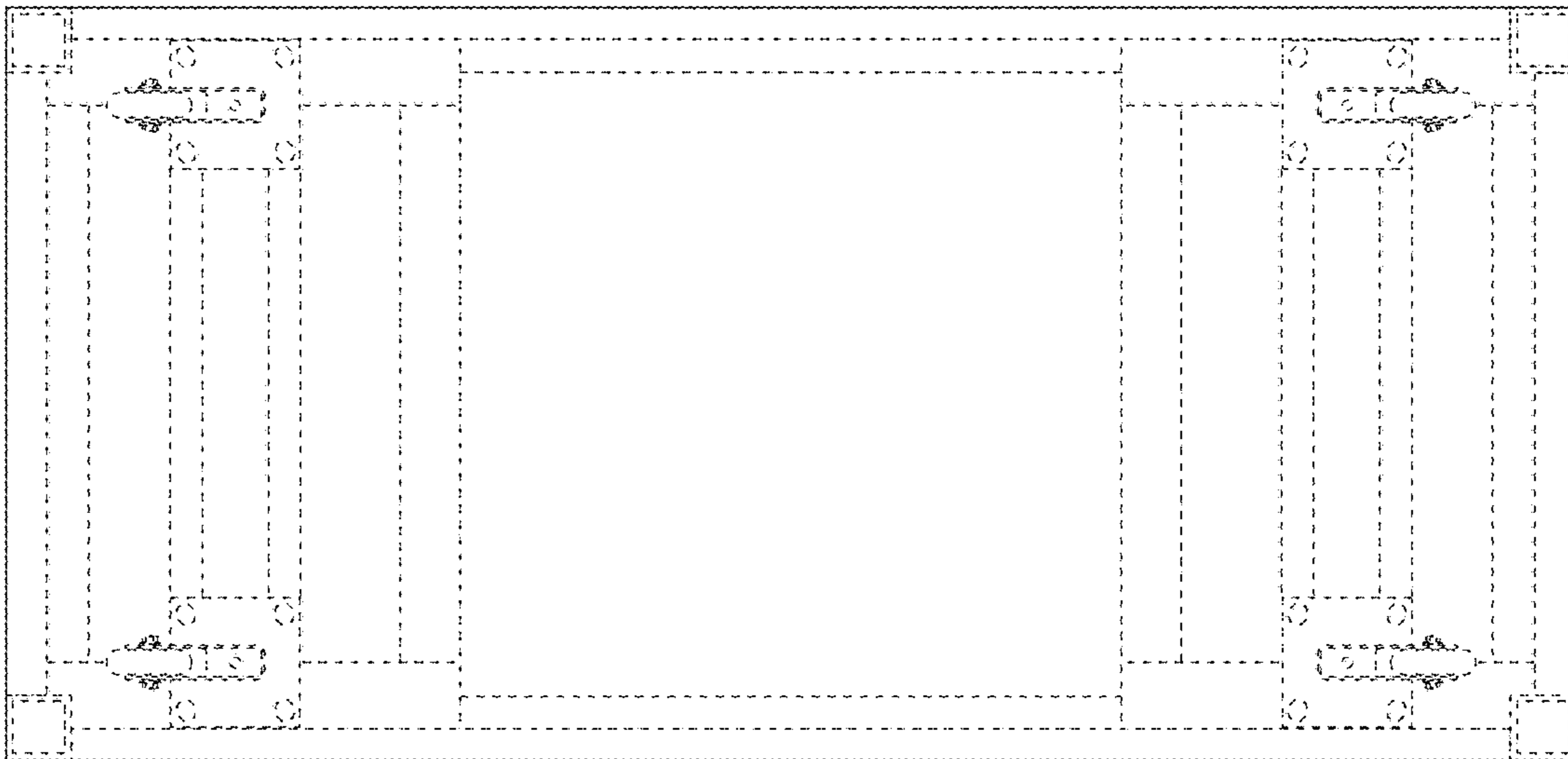


Fig. 5