



US00D810375S

(12) **United States Design Patent**
Cramer et al.

(10) **Patent No.:** **US D810,375 S**
(45) **Date of Patent:** **** Feb. 13, 2018**

- (54) **CINCH**
- (71) Applicant: **Rubbermaid Commercial Products LLC**, Winchester, VA (US)
- (72) Inventors: **Earle Cramer**, Portage, MI (US);
Allison Hammer, Chicago, IL (US);
Lea Stewart, Scotts, MI (US)
- (73) Assignee: **Rubbermaid Commercial Products LLC**, Atlanta, GA (US)
- (**) Term: **15 Years**
- (21) Appl. No.: **29/566,517**
- (22) Filed: **May 31, 2016**
- (51) **LOC (11) Cl.** **09-09**
- (52) **U.S. Cl.**
USPC **D34/10**
- (58) **Field of Classification Search**
USPC D34/1-11; D8/107; 220/495.01, 495.08,
220/495.09, 495.1, 495.11
CPC B65F 1/062; B65F 1/02; B65F 1/16; B65F
1/002; B65F 1/04; B65F 1/0013; B65F
1/06; B65F 1/067; B65F 1/004; B65F
1/061
See application file for complete search history.

(56) **References Cited**

U.S. PATENT DOCUMENTS

3,825,150	A	7/1974	Taylor	
4,027,774	A	6/1977	Cote	
5,261,553	A	11/1993	Mueller et al.	
D351,702	S *	10/1994	Breen	D34/10
D351,703	S *	10/1994	Breen	D34/10
5,423,448	A *	6/1995	Pedigo	B65F 1/122 220/345.1
5,636,416	A	6/1997	Anderson	
D401,383	S	11/1998	Gish	
D422,450	S *	4/2000	Conti	16/110.1

7,766,186	B1 *	8/2010	Brown	B65F 1/02 220/772
7,980,411	B2	7/2011	Kasbohm	
D703,902	S *	4/2014	Jimenez	D34/10
8,807,381	B2	8/2014	Wentz et al.	
D714,510	S *	9/2014	Yang	D34/10
9,079,711	B2	7/2015	Pho et al.	
9,352,904	B1 *	5/2016	Wall	B65F 1/06
D777,009	S *	1/2017	Joo	D32/25
D792,046	S *	7/2017	Hankey	D34/10

(Continued)

FOREIGN PATENT DOCUMENTS

WO 2007092486 A1 8/2007

Primary Examiner — Cynthia Ramirez

(74) *Attorney, Agent, or Firm* — Eversheds Sutherland (US) LLP

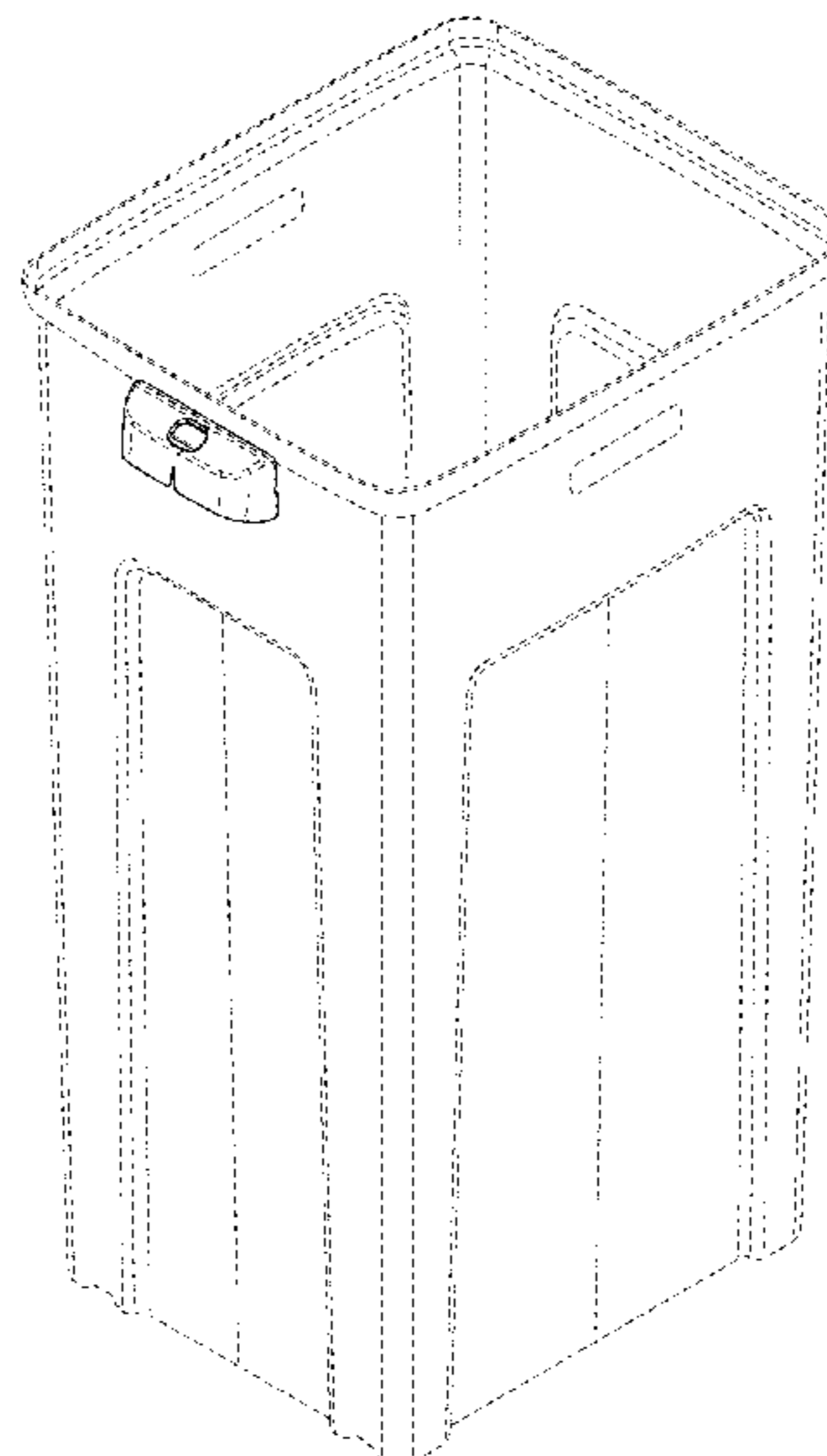
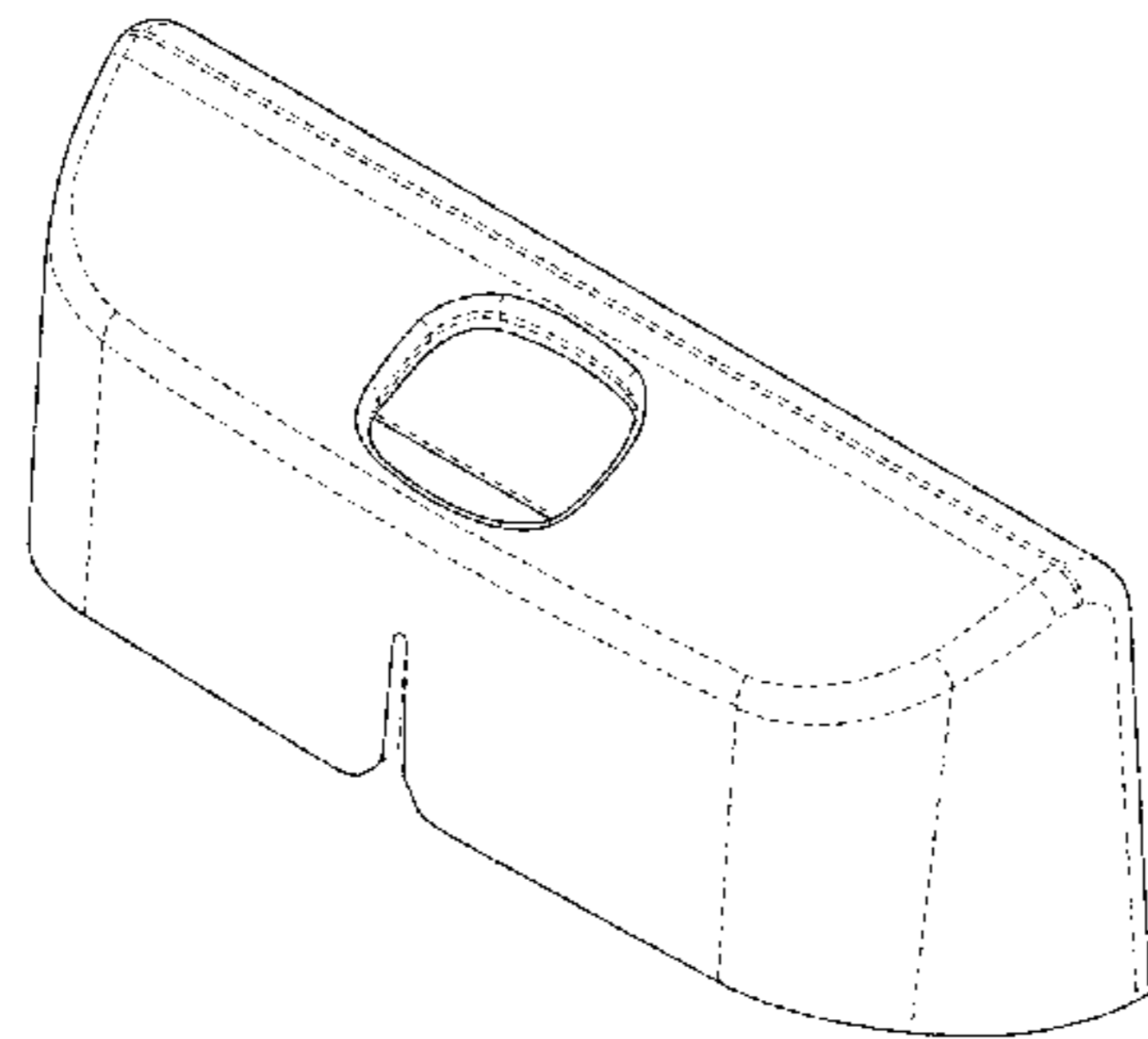
(57) **CLAIM**

The ornamental design for a cinch, as shown and described.

DESCRIPTION

FIG. 1 is a front perspective view of a cinch showing our new design;
 FIG. 2 is a rear upper perspective view thereof;
 FIG. 3 is a front view thereof;
 FIG. 4 is a top view thereof;
 FIG. 5 first side view thereof;
 FIG. 6 is a second side view thereof;
 FIG. 7 is a rear view thereof;
 FIG. 8 is a bottom view thereof; and,
 FIG. 9 is a perspective view of a cinch according to an embodiment of the disclosure disposed on the body of a receptacle.
 The broken lines in the figures are for the purpose of illustrating portions of the cinch that form no part of the claimed design. The container shown in broken lines in FIG. 9 is to shown environment and form no part of the claimed design.

1 Claim, 5 Drawing Sheets



(56)

References Cited

U.S. PATENT DOCUMENTS

2008/0197136 A1 8/2008 Dukes
2008/0272127 A1 11/2008 Kovacevich et al.
2011/0272409 A1* 11/2011 Kasbohm B65F 1/06
220/495.11

* cited by examiner

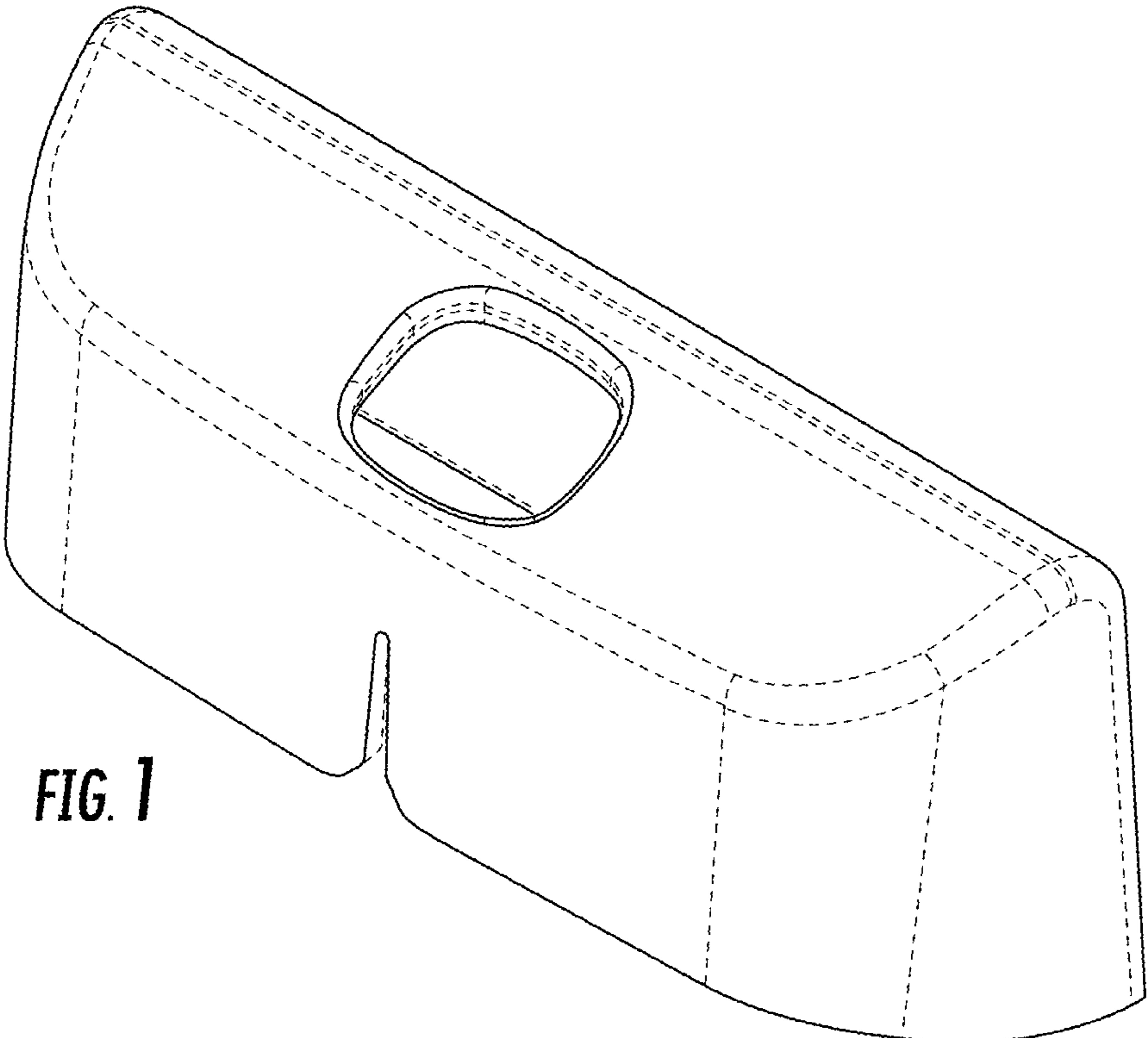


FIG. 1

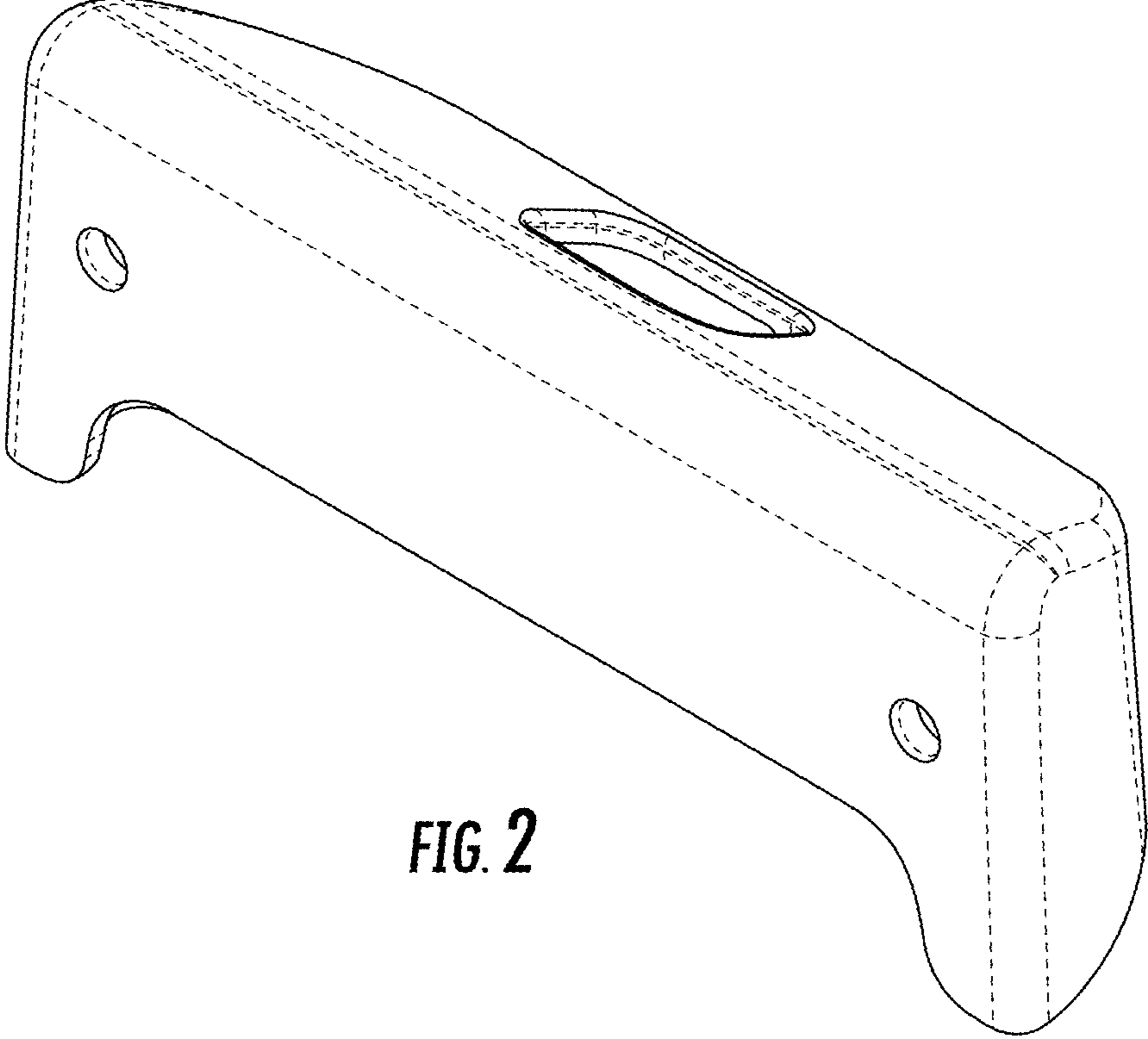


FIG. 2

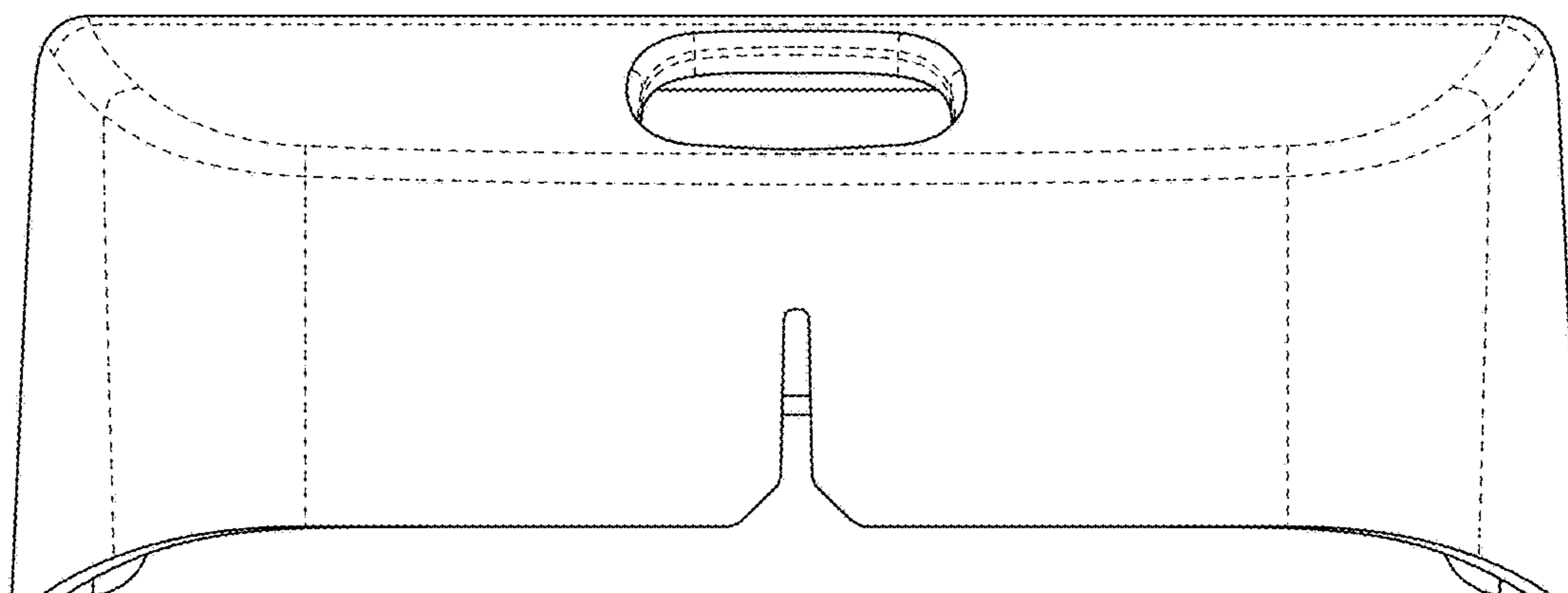


FIG. 3

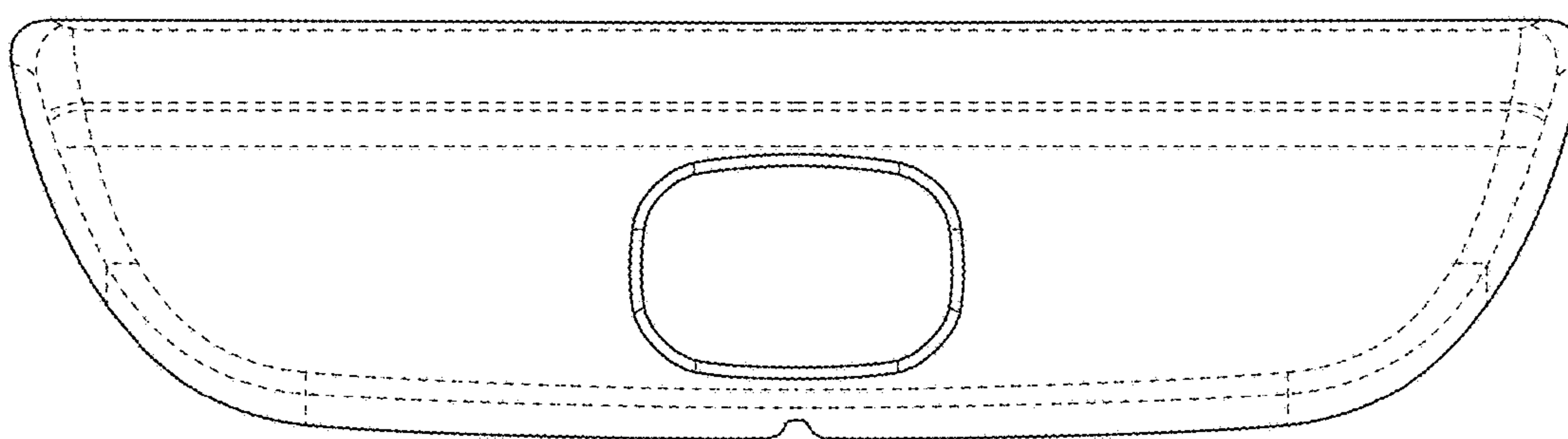


FIG. 4

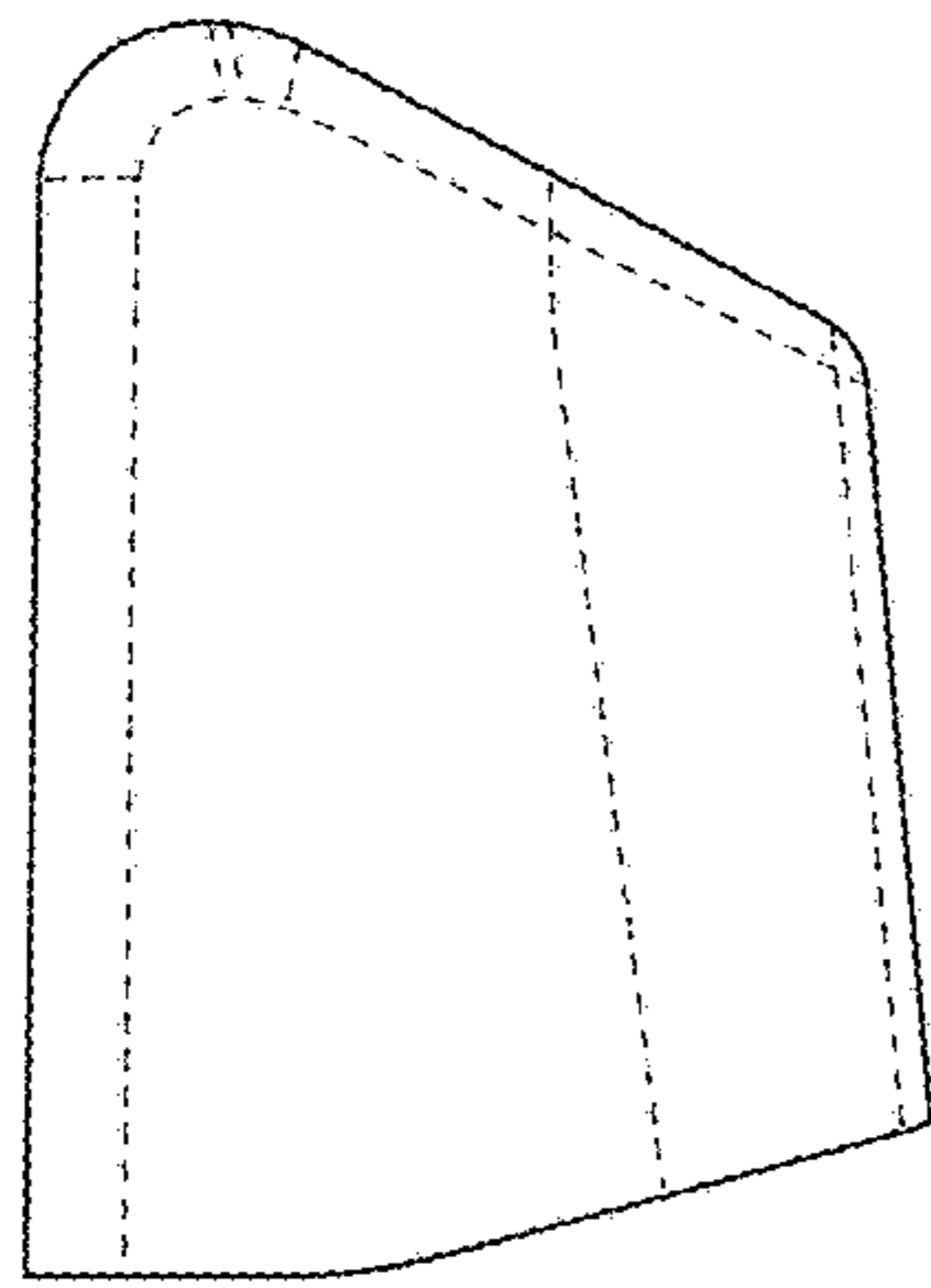


FIG. 5

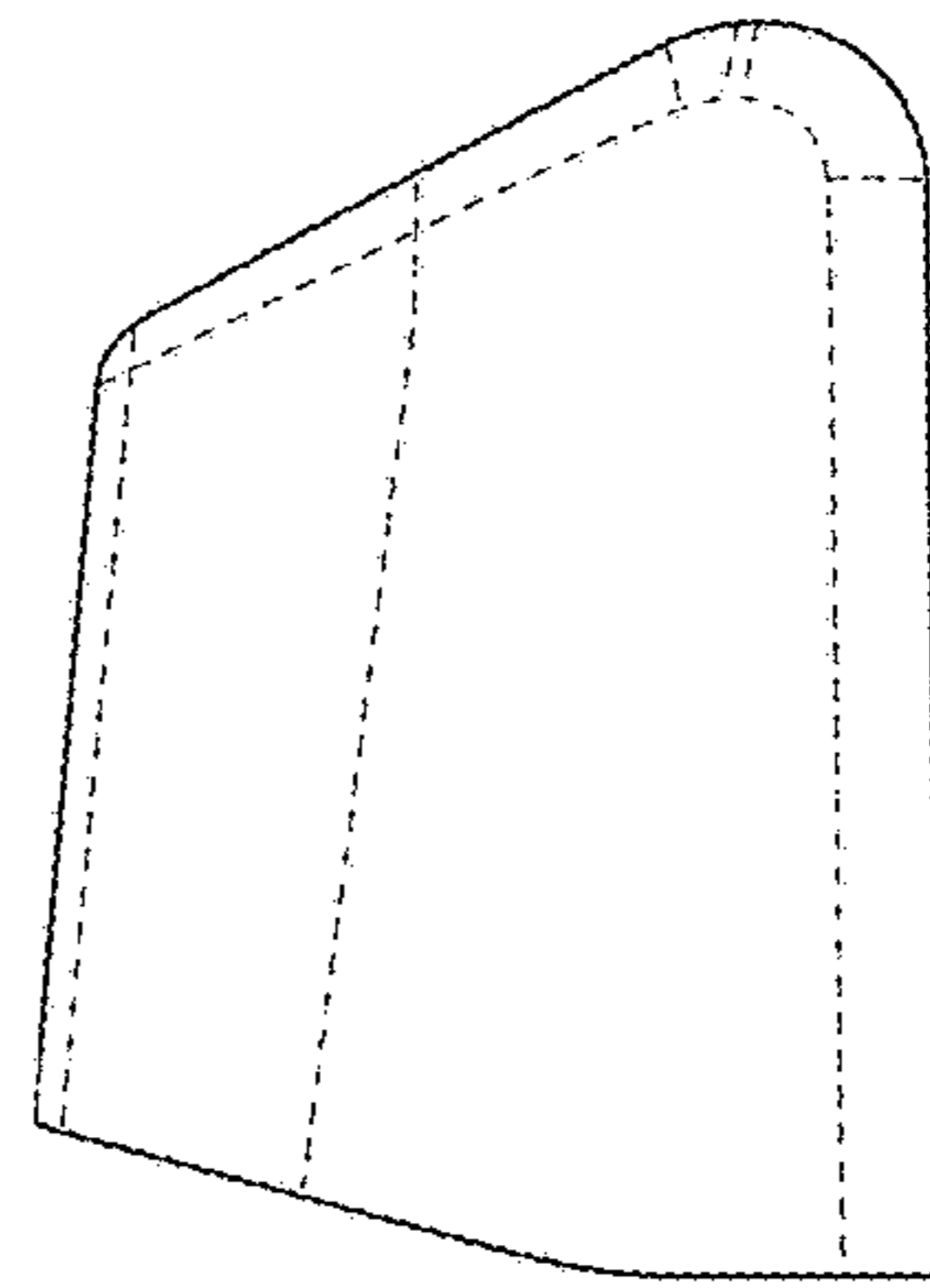


FIG. 6

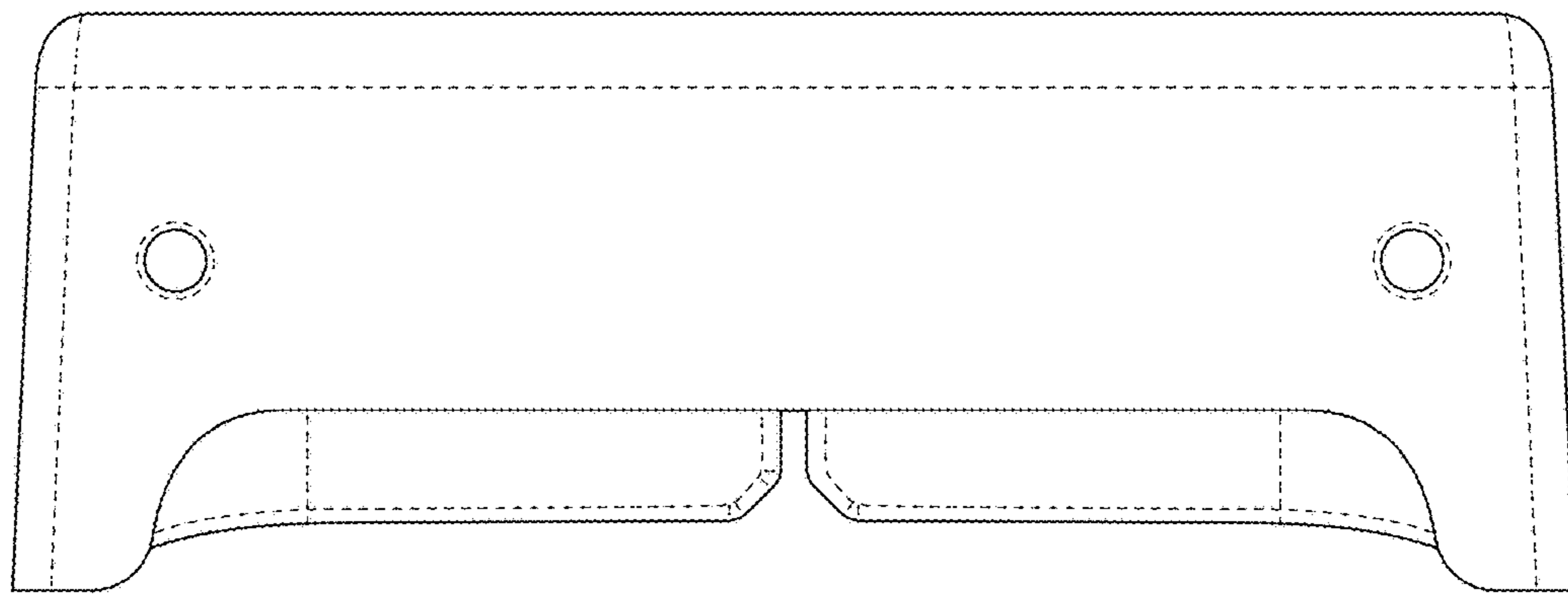


FIG. 7

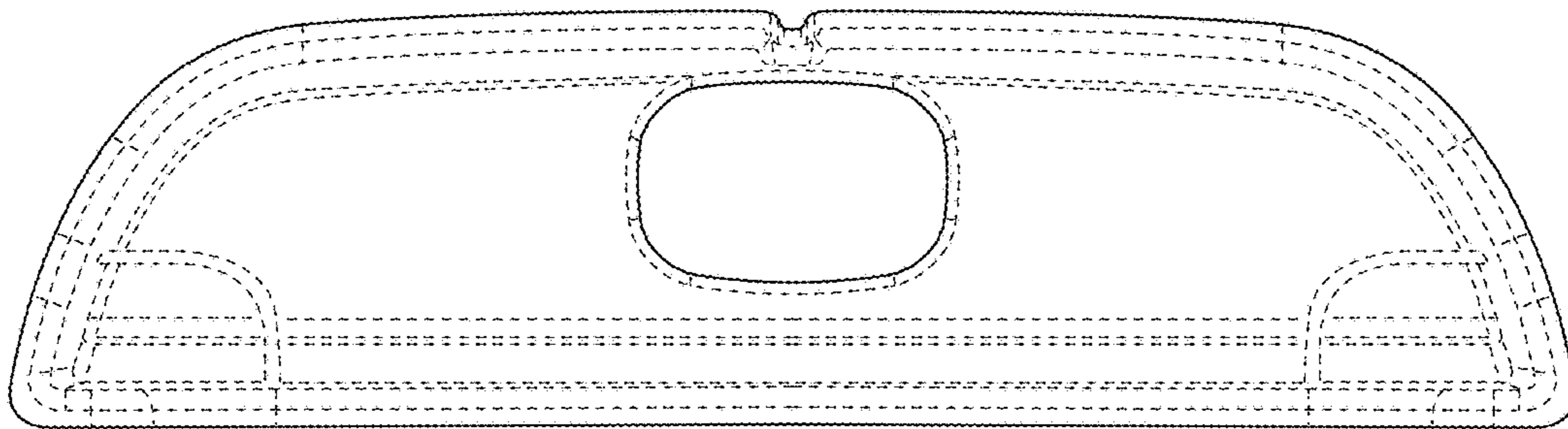


FIG. 8

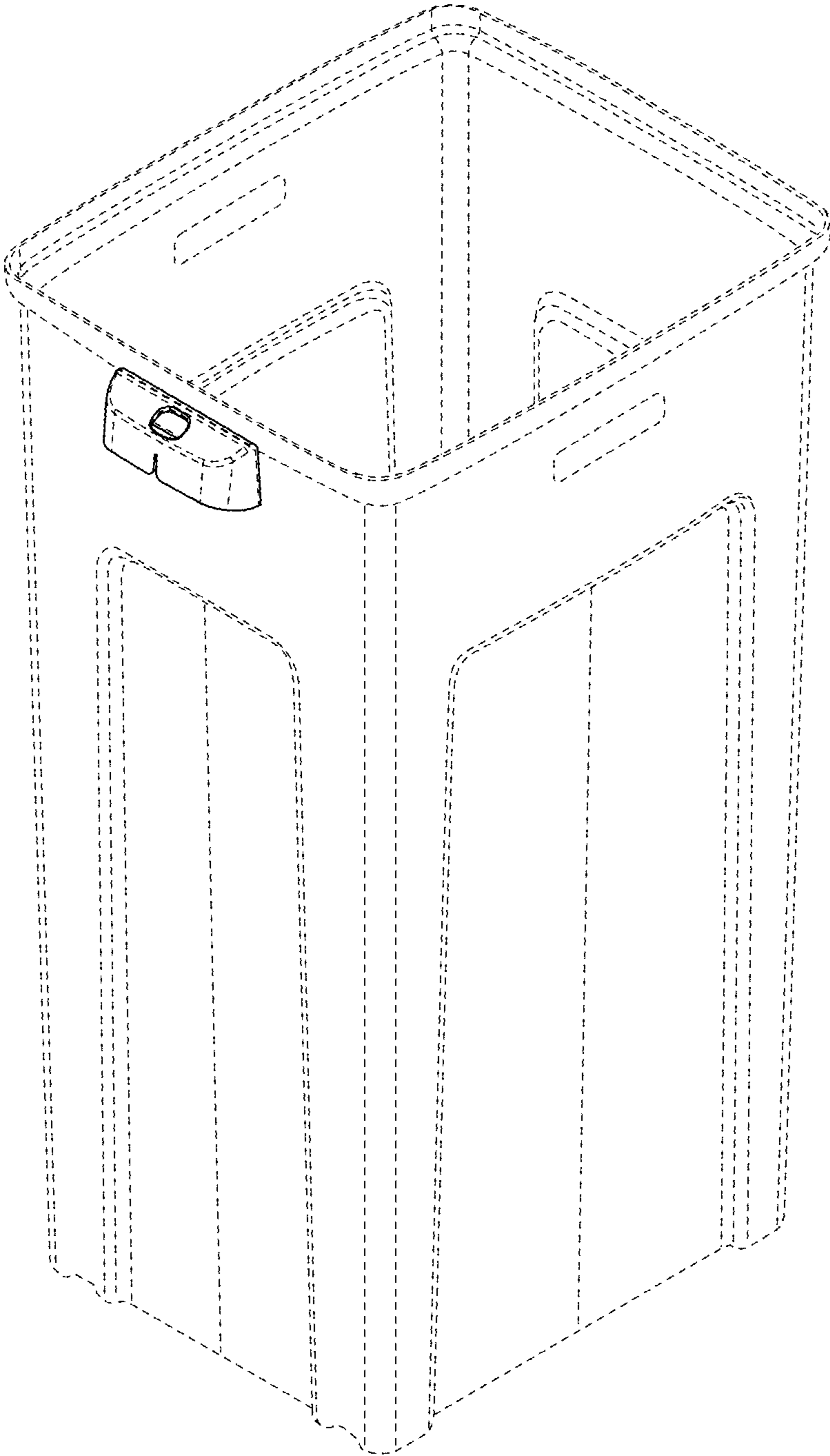


FIG. 9