



US00D810374S

(12) **United States Design Patent** (10) **Patent No.:** **US D810,374 S**
Bechtold, Jr. (45) **Date of Patent:** **** Feb. 13, 2018**

(54) **SET OF TWO MAGNETICALLY ATTRACTIBLE INTERIOR AND EXTERIOR COMPONENTS POSITIONABLE ON OPPOSITE SIDES OF A CURVED UPSTANDING SIDEWALL OF A NON-FERROUS CONTAINER FOR HANGING A PAINT BRUSH INSIDE THE CONTAINER**

(71) Applicant: **Joseph A Bechtold, Jr.**, Shaker Heights, OH (US)

(72) Inventor: **Joseph A Bechtold, Jr.**, Shaker Heights, OH (US)

(**) Term: **15 Years**

(21) Appl. No.: **29/620,402**

(22) Filed: **Nov. 18, 2016**

(51) **LOC (11) Cl.** **07-07**

(52) **U.S. Cl.**
USPC **D32/54**

(58) **Field of Classification Search**
USPC D32/53, 53.1, 54; 220/694-697; 248/110, 213.2; 206/361; 211/DIG. 1
(Continued)

(56) **References Cited**

U.S. PATENT DOCUMENTS

2,724,570 A * 11/1955 Richardson B44D 3/125
248/113
3,185,311 A * 5/1965 Roberts B44D 3/123
211/66

(Continued)

Primary Examiner — Robin V Webster

(74) *Attorney, Agent, or Firm* — David A. Burge

(57) **CLAIM**

I claim the ornamental design for a set of two magnetically attractable interior and exterior components positionable on

opposite sides of a curved upstanding sidewall of a non-ferrous container for hanging a paint brush inside the container, as shown and described.

DESCRIPTION

FIG. 1 is a first perspective view showing my new design, with the view showing mainly front, top and right side features of the two components of the set;

FIG. 2 is a second perspective view of thereof, with the view showing mainly rear, bottom and left side features of the two components of the set;

FIG. 3 is a front view of the exterior component;

FIG. 4 is a rear view of thereof;

FIG. 5 is a top view of thereof;

FIG. 6 is a bottom view thereof;

FIG. 7 is a right side view thereof, it being understood that a left side view is identical hereto but a mirror reversal image thereof;

FIG. 8 is a front view of the interior component;

FIG. 9 is a rear view of thereof;

FIG. 10 is a top view of thereof;

FIG. 11 is a bottom view thereof;

FIG. 12 is a right side view thereof, it being understood that a left side view is identical hereto but a mirror reversal image thereof;

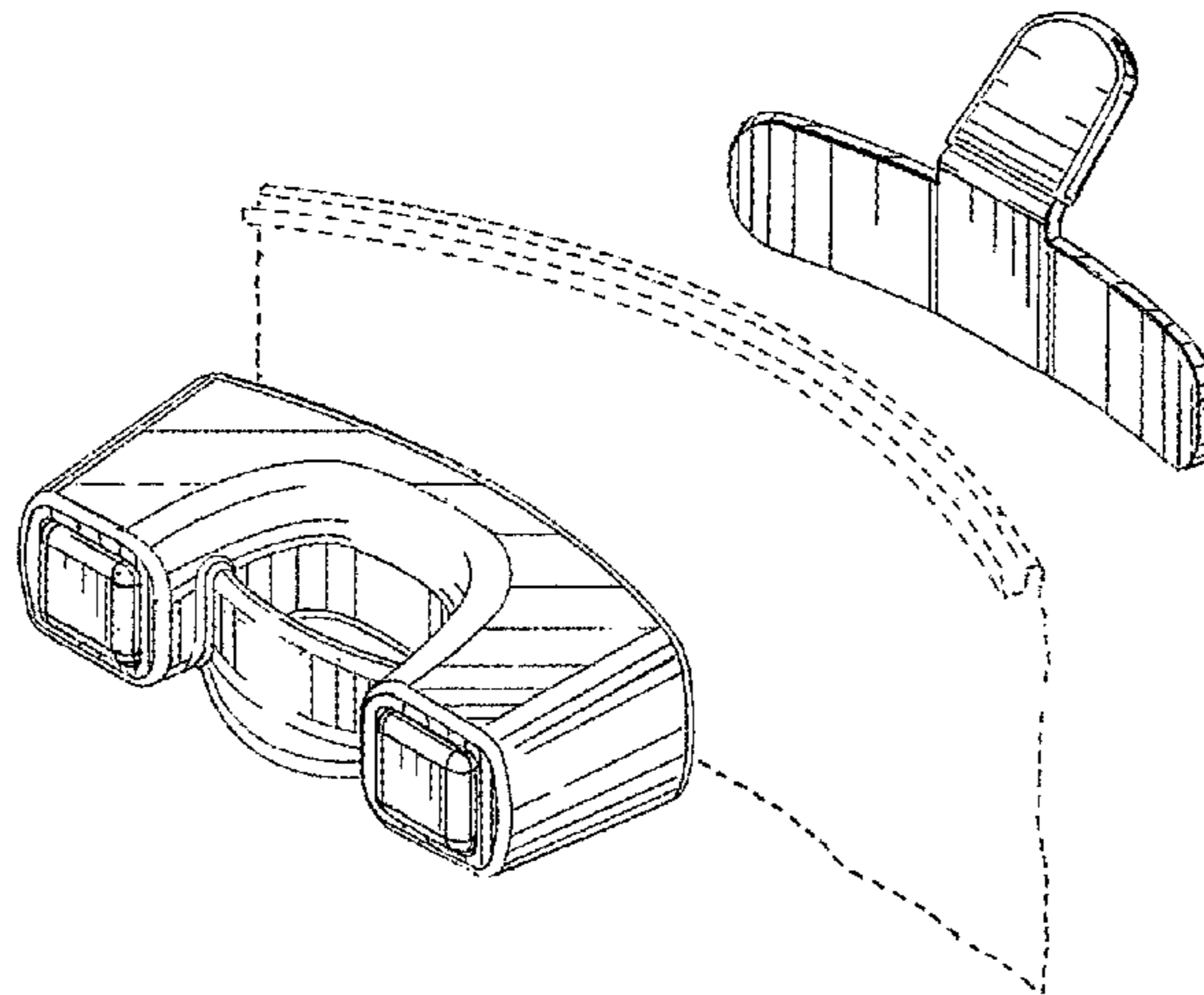
FIG. 13 is a perspective view identical to FIG. 1 showing the exterior and interior components spaced on opposite exterior and interior sides of a portion of a curved upstanding sidewall of a container that is depicted by broken lines which are provided only for illustrative purposes, and form no part of the claimed design; and,

FIG. 14 is a perspective view substantially identical to FIG. 13 except that the exterior and interior components have been moved into magnetically attractive engagement with the curved upstanding sidewall that is depicted by broken lines which are provided only for illustrative purposes, and form no part of the claimed design.

Features shown in broken lines are for illustrative purposes only, and form no part of the claimed design.

Any portions of the components of the set not shown form no part of the claimed design.

1 Claim, 5 Drawing Sheets



(58) **Field of Classification Search**
 CPC B65F 1/14; B44D 3/128; B44D 3/123
 See application file for complete search history.

(56) **References Cited**

U.S. PATENT DOCUMENTS

3,425,012	A	1/1969	Gottinger	335/285
3,536,285	A	10/1970	Vaughn	248/206
3,729,158	A	4/1973	Nagy	248/110
5,033,704	A *	7/1991	Kerr	B44D 3/123 220/697
5,083,733	A	1/1992	Marino et al.	248/110
5,806,818	A *	9/1998	Heywood	B44D 3/123 248/110
D459,848	S *	7/2002	Anderson	D32/54
6,419,194	B1 *	7/2002	LoSacco	A46B 17/02 248/110
D461,289	S *	8/2002	LoSacco	D32/54
D475,827	S *	6/2003	McIntee	D32/54

6,929,225	B1	8/2005	Kent	248/213.2
D521,705	S *	5/2006	Kent	D32/54
7,191,913	B2	3/2007	Byrne	220/570
7,401,614	B2	7/2008	Ruzumna	134/135
7,559,513	B2 *	7/2009	Kovall	B44D 3/123 220/736
D615,263	S *	5/2010	Kent	D32/54
7,766,287	B2 *	8/2010	Marino	A46B 17/02 15/257.01
D643,984	S *	8/2011	Crawley	D32/54
8,091,701	B1	1/2012	De Pietro	206/15.3
8,505,788	B2	8/2013	Thibault	224/148.7
8,528,776	B2 *	9/2013	Treacy	B44D 3/123 211/DIG. 1
8,931,669	B2	1/2015	Bajuyo	224/148.4
D757,383	S *	5/2016	Abbott	D32/54
9,351,561	B2	5/2016	McCarthy	224/148.7
2005/0156085	A1	7/2005	Radovan	248/110
2009/0314788	A1	12/2009	Douglas	220/697
2015/0034777	A1	2/2015	Ionis	248/113

* cited by examiner

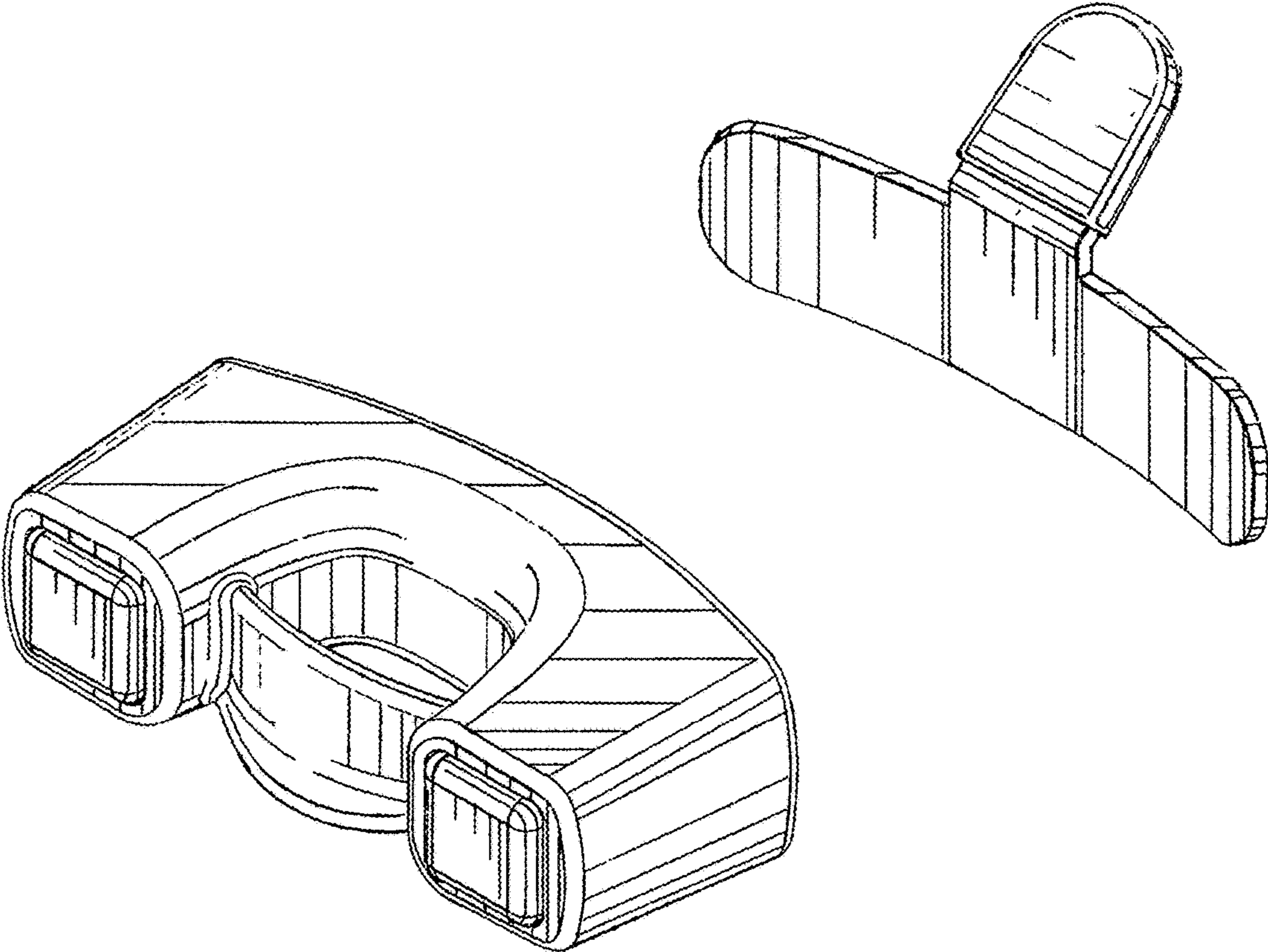


FIG. 1

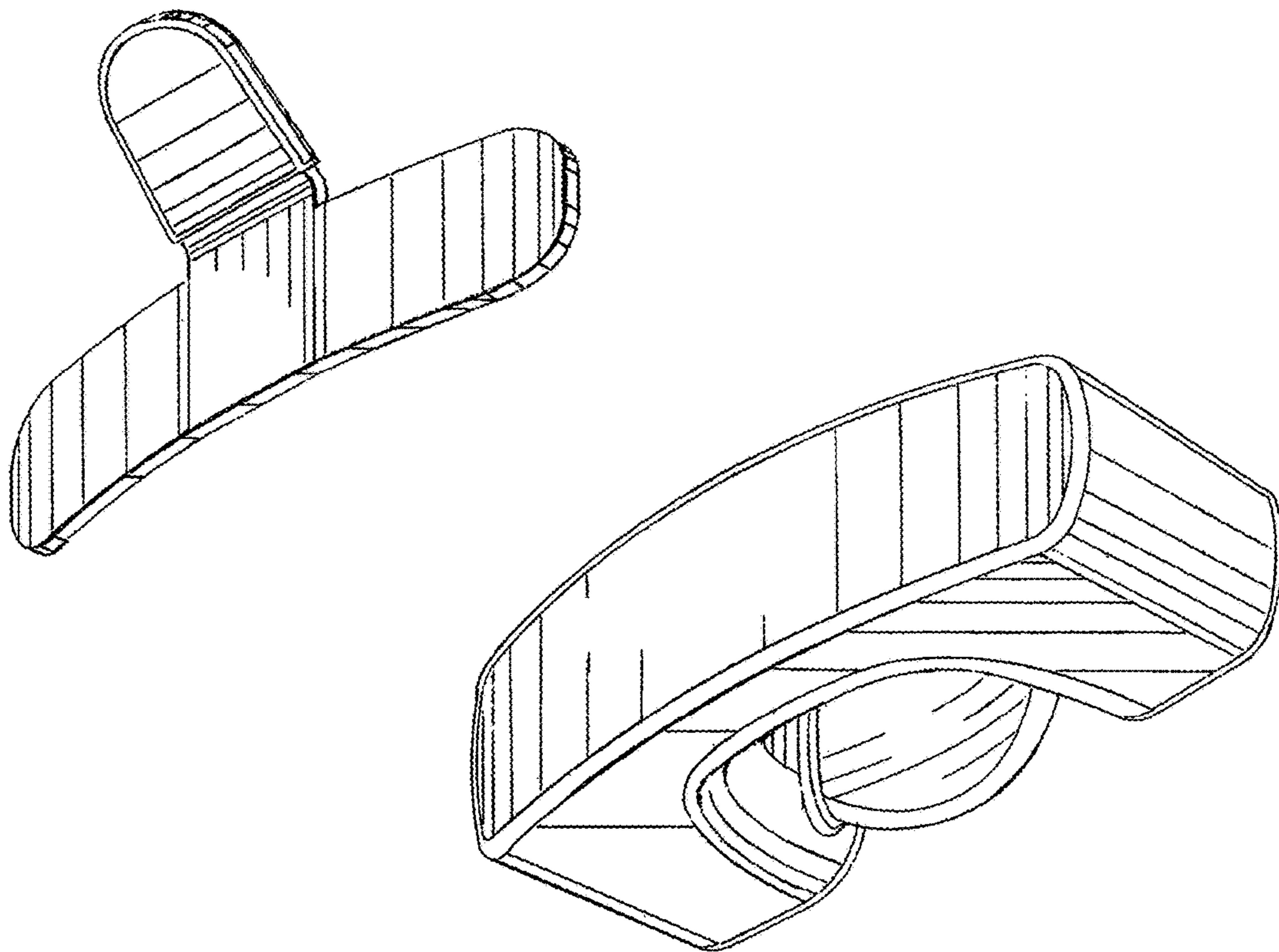


FIG. 2

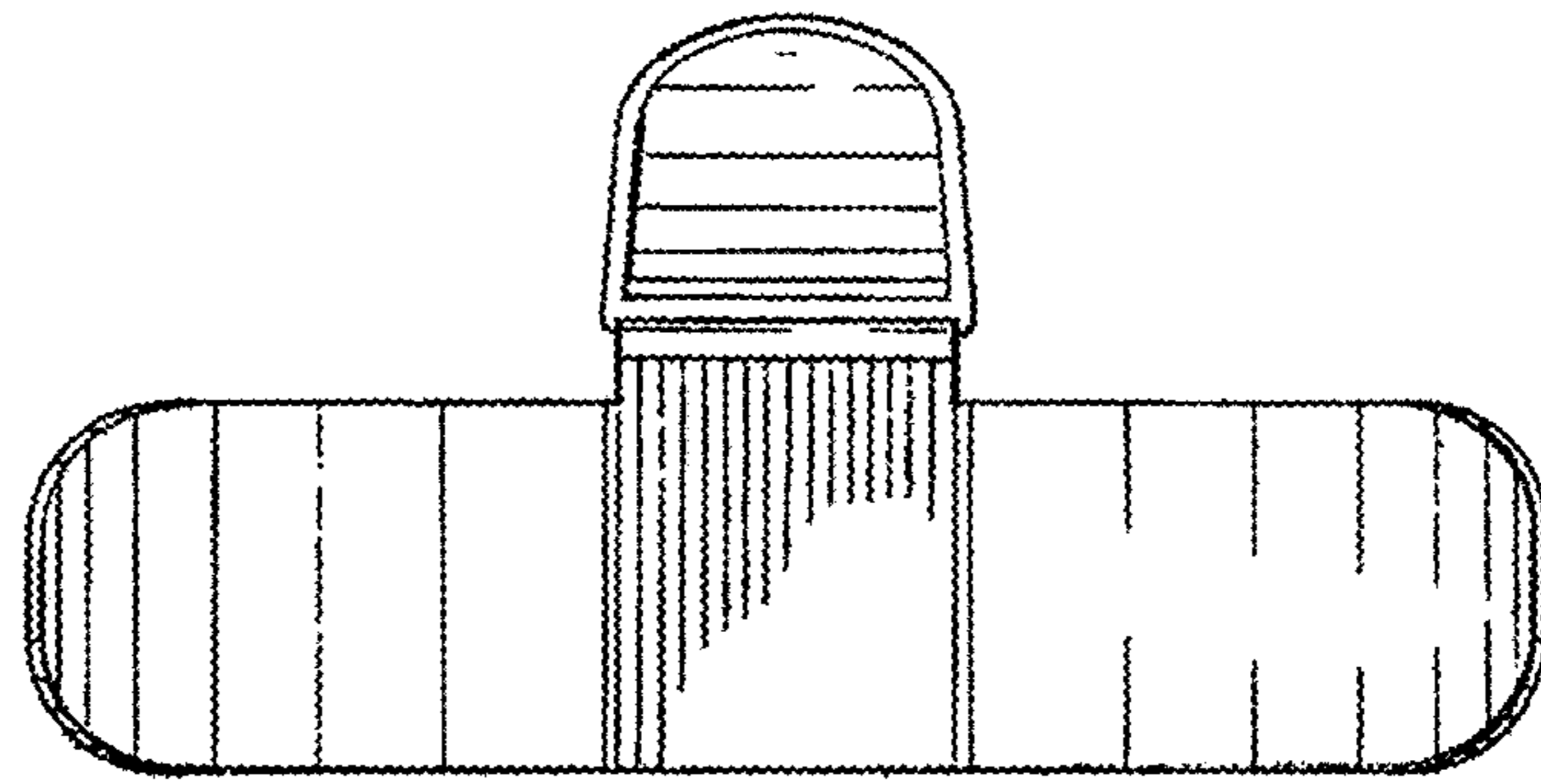


FIG. 3

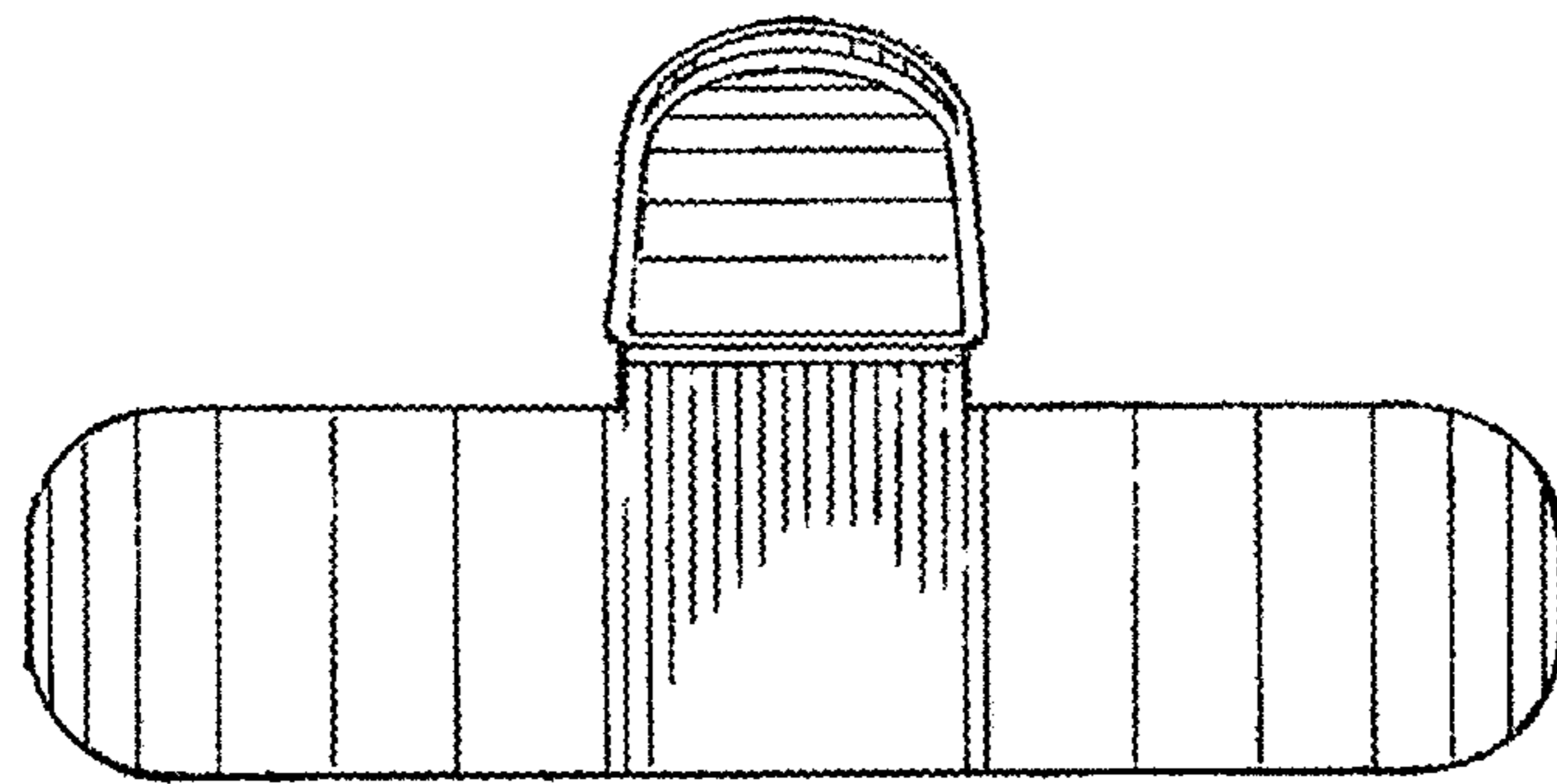


FIG. 4

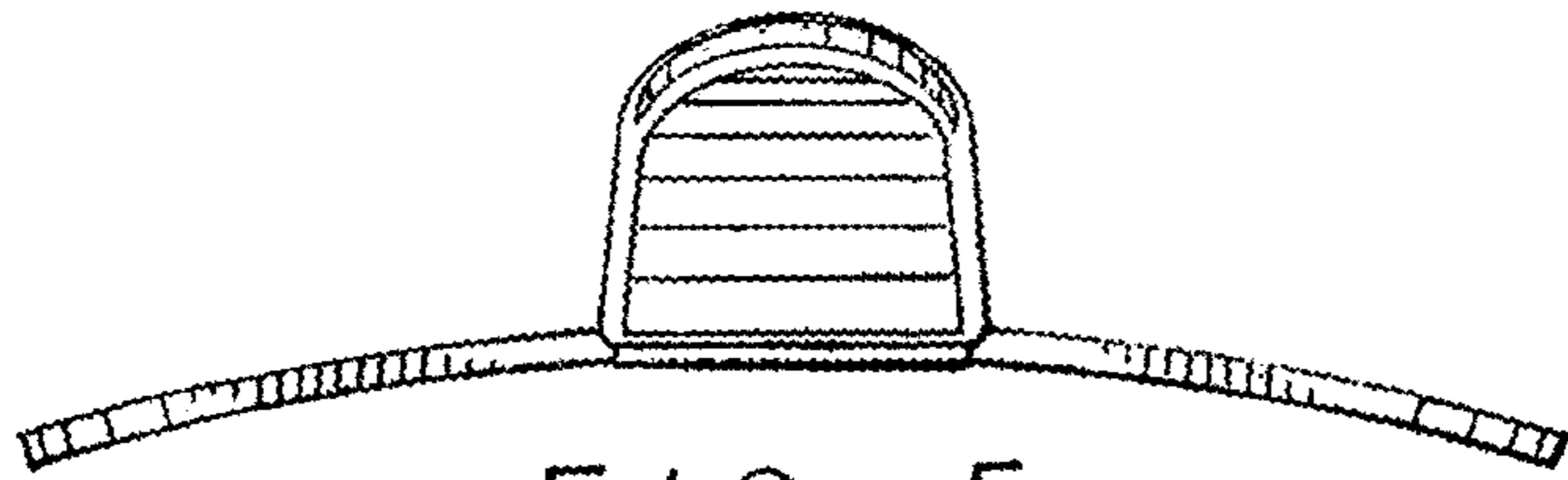


FIG. 5

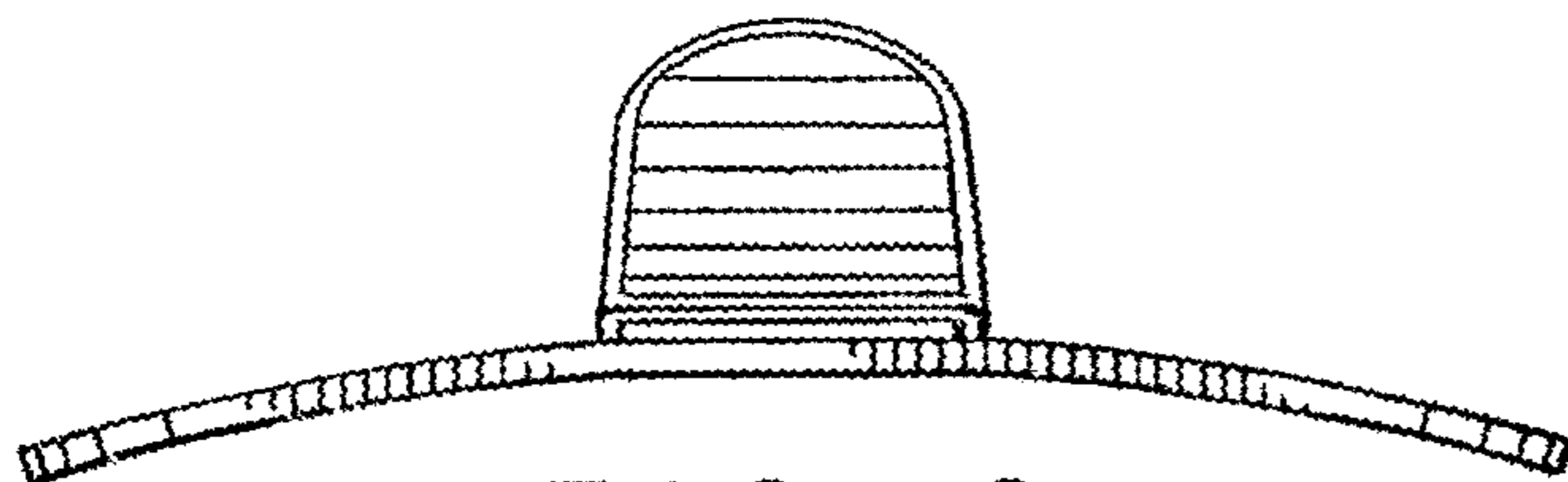


FIG. 6

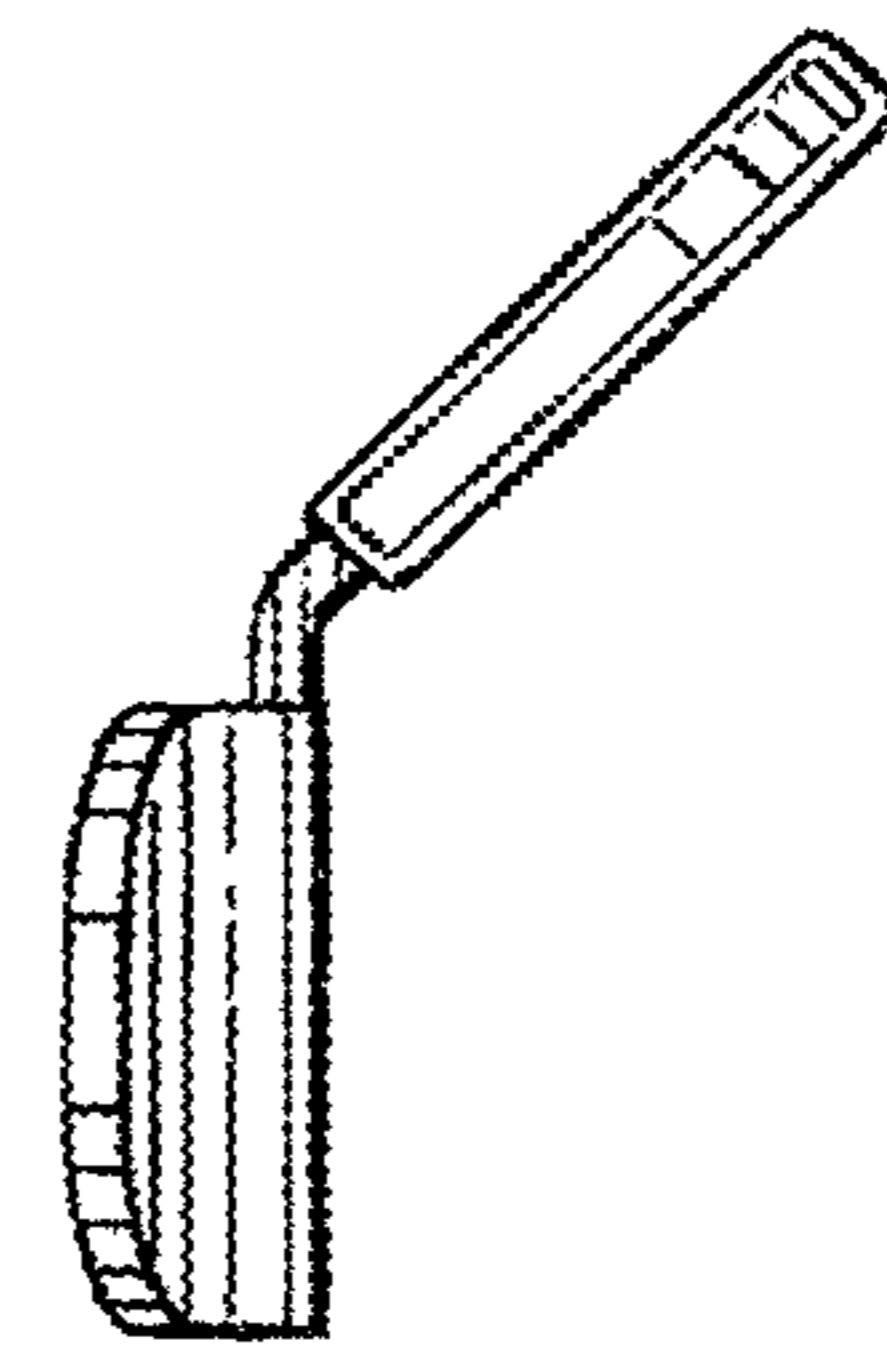


FIG. 7

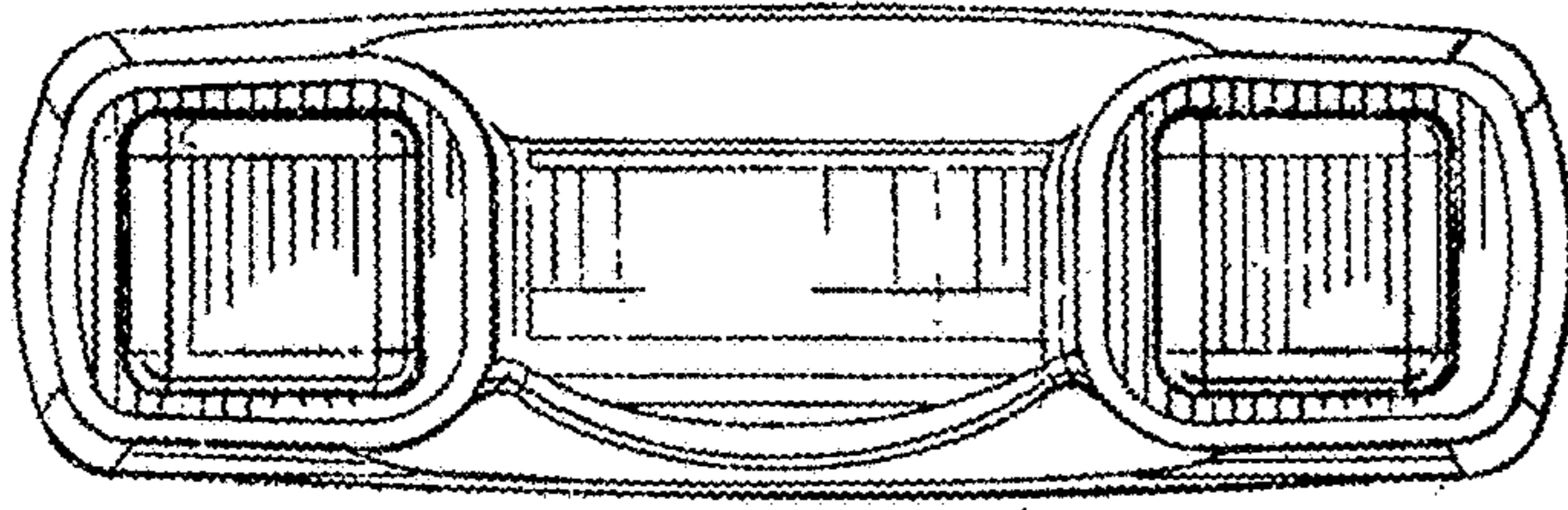


FIG. 8

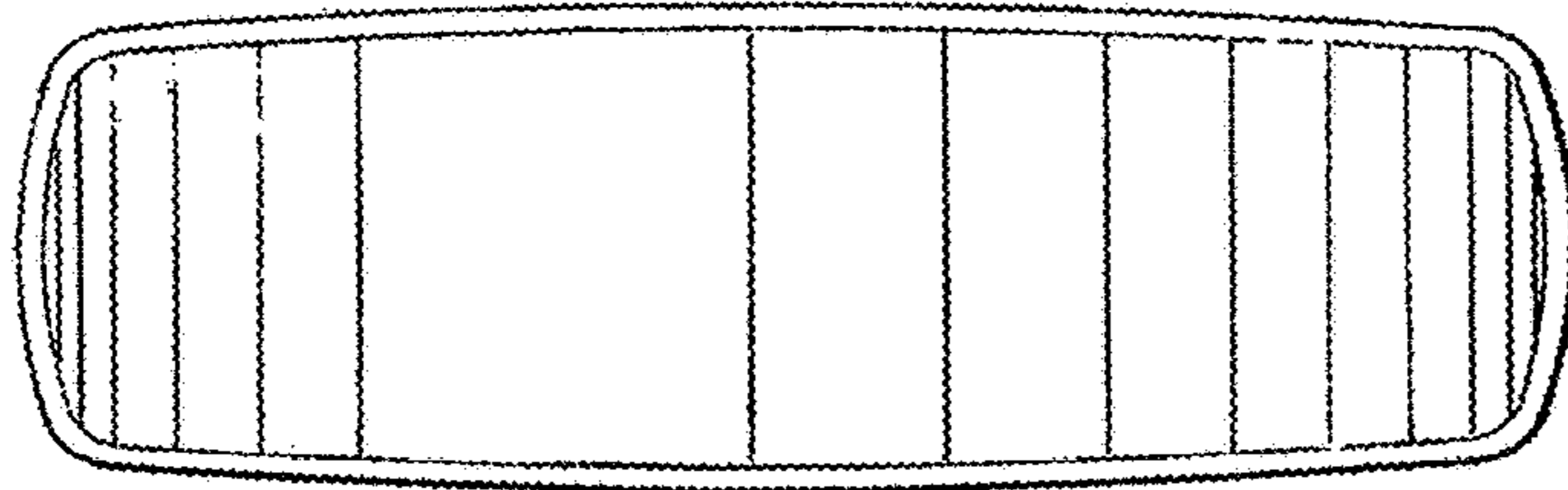


FIG. 9

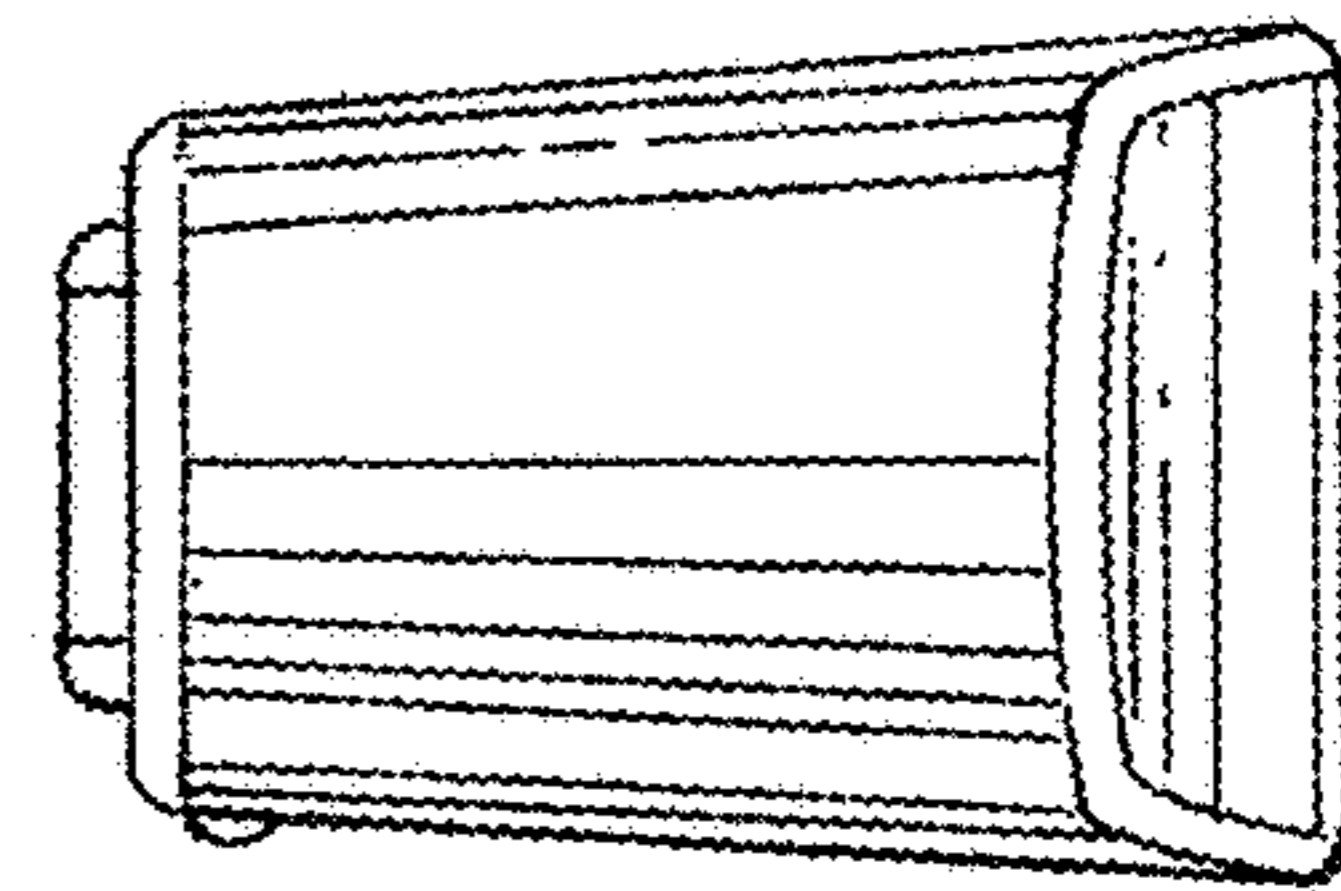


FIG. 12

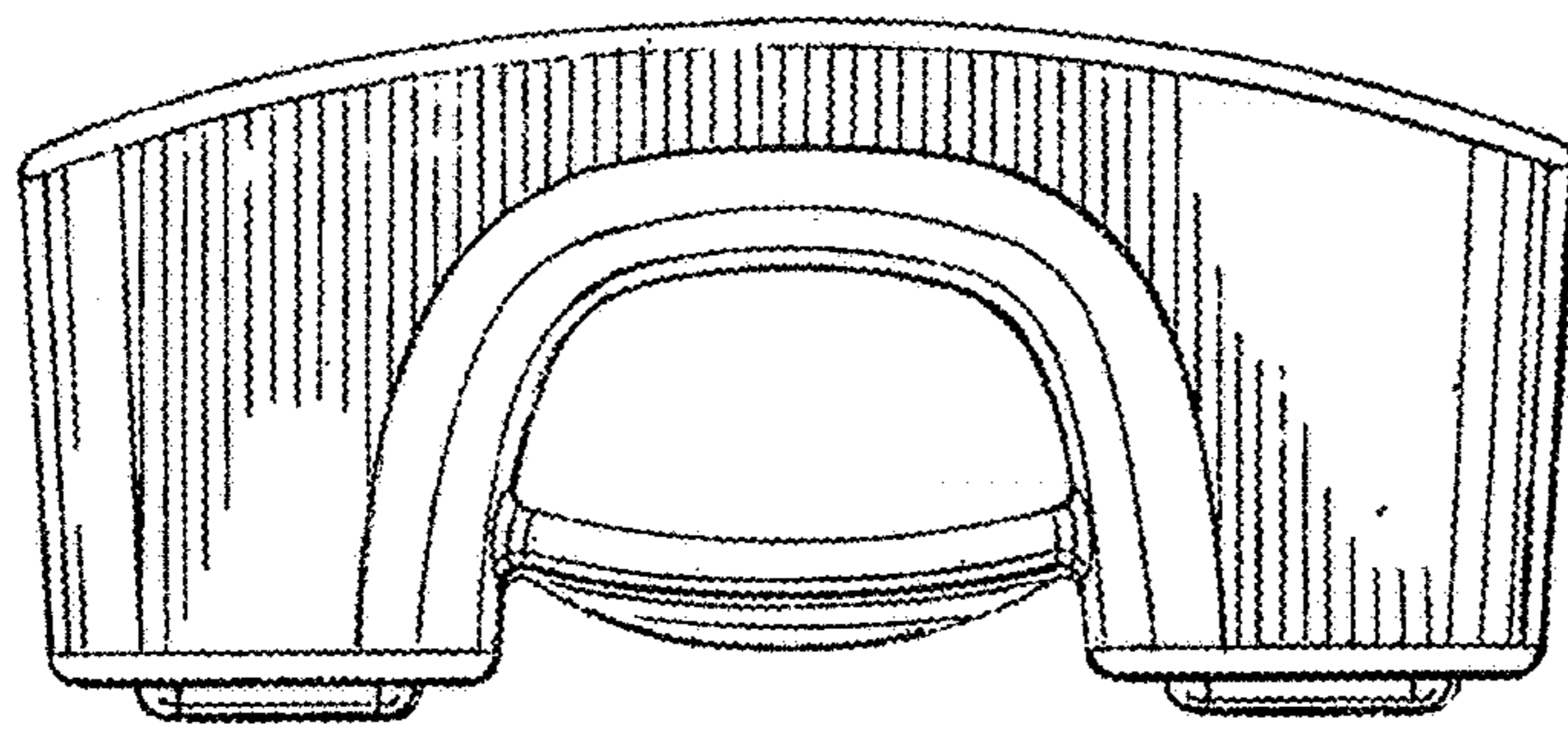


FIG. 10

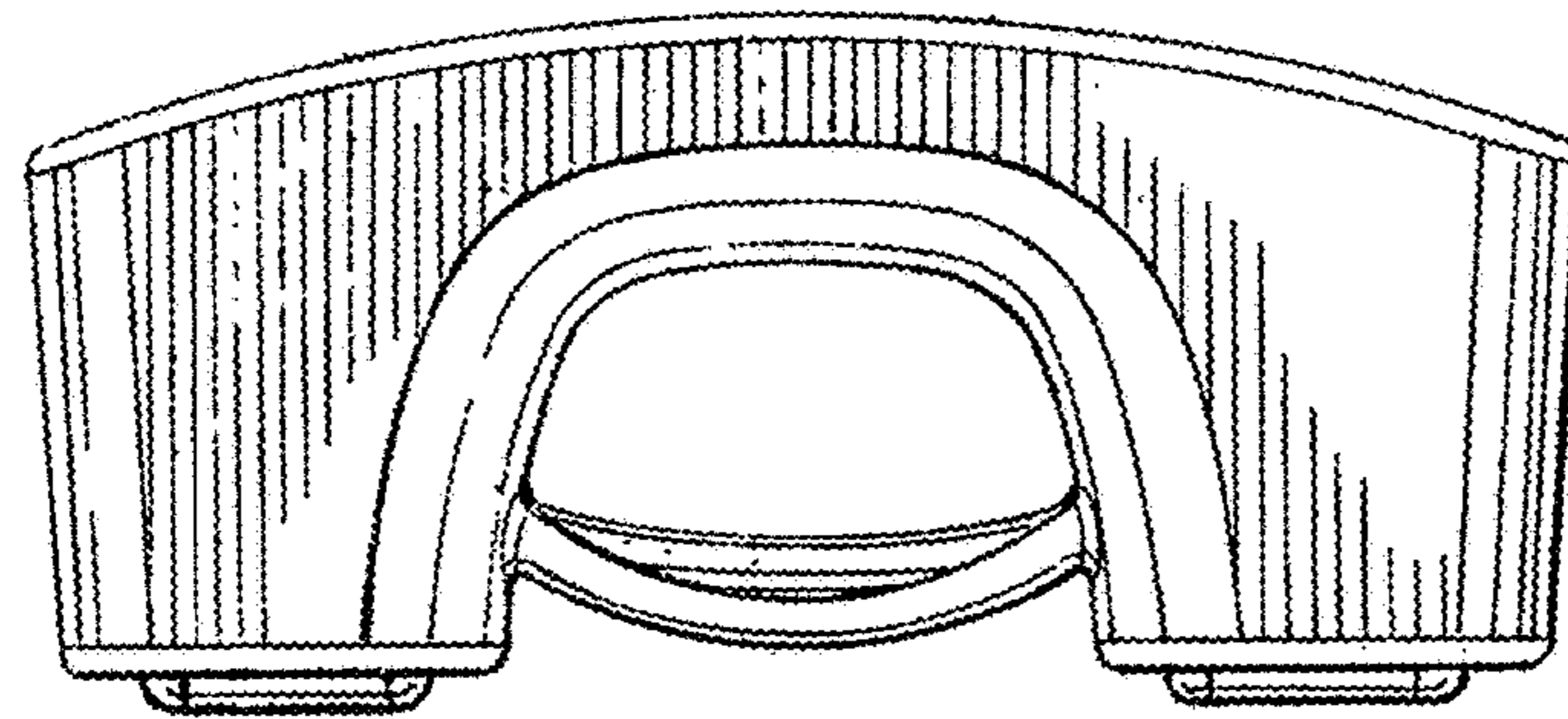


FIG. 11

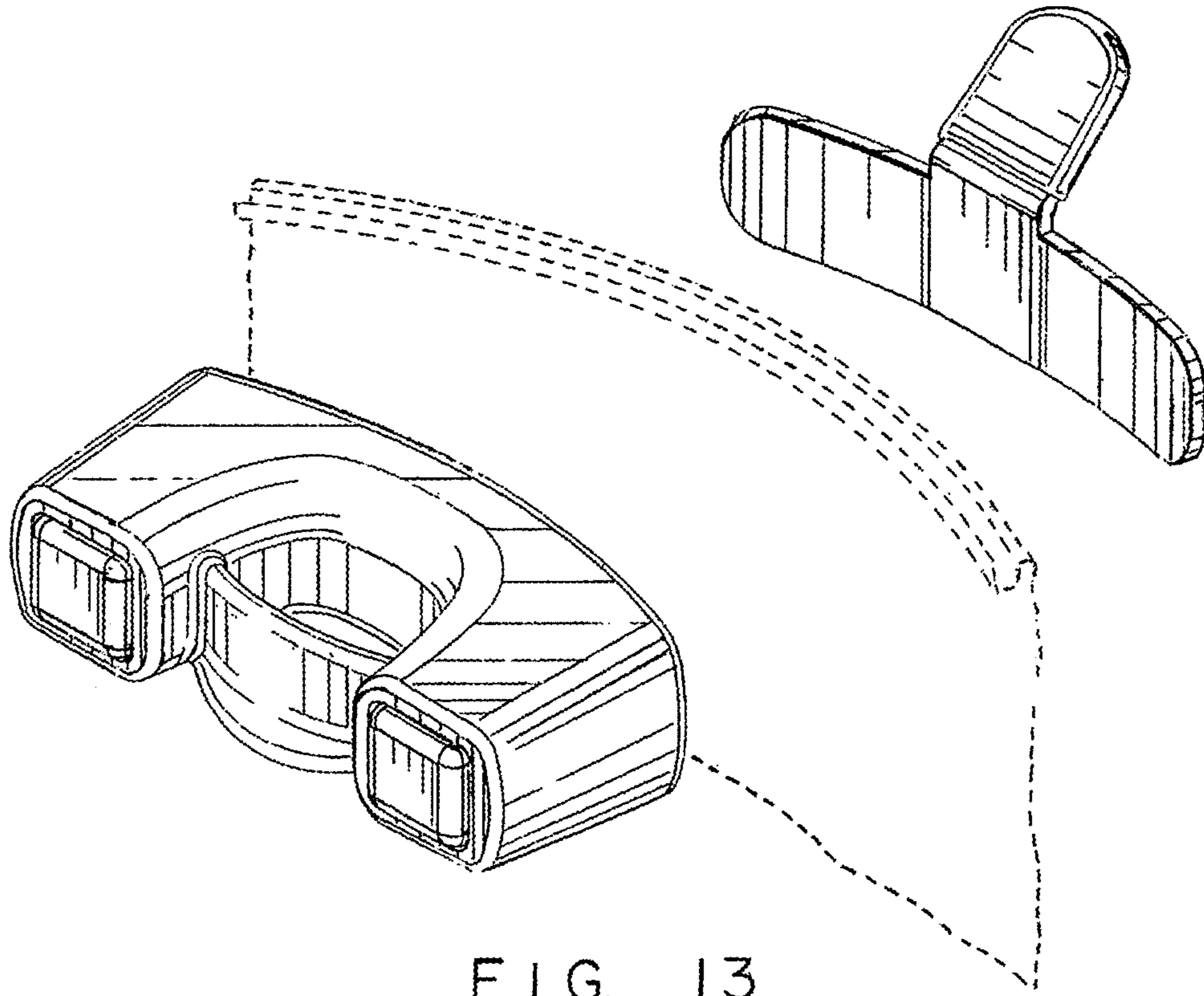


FIG. 13

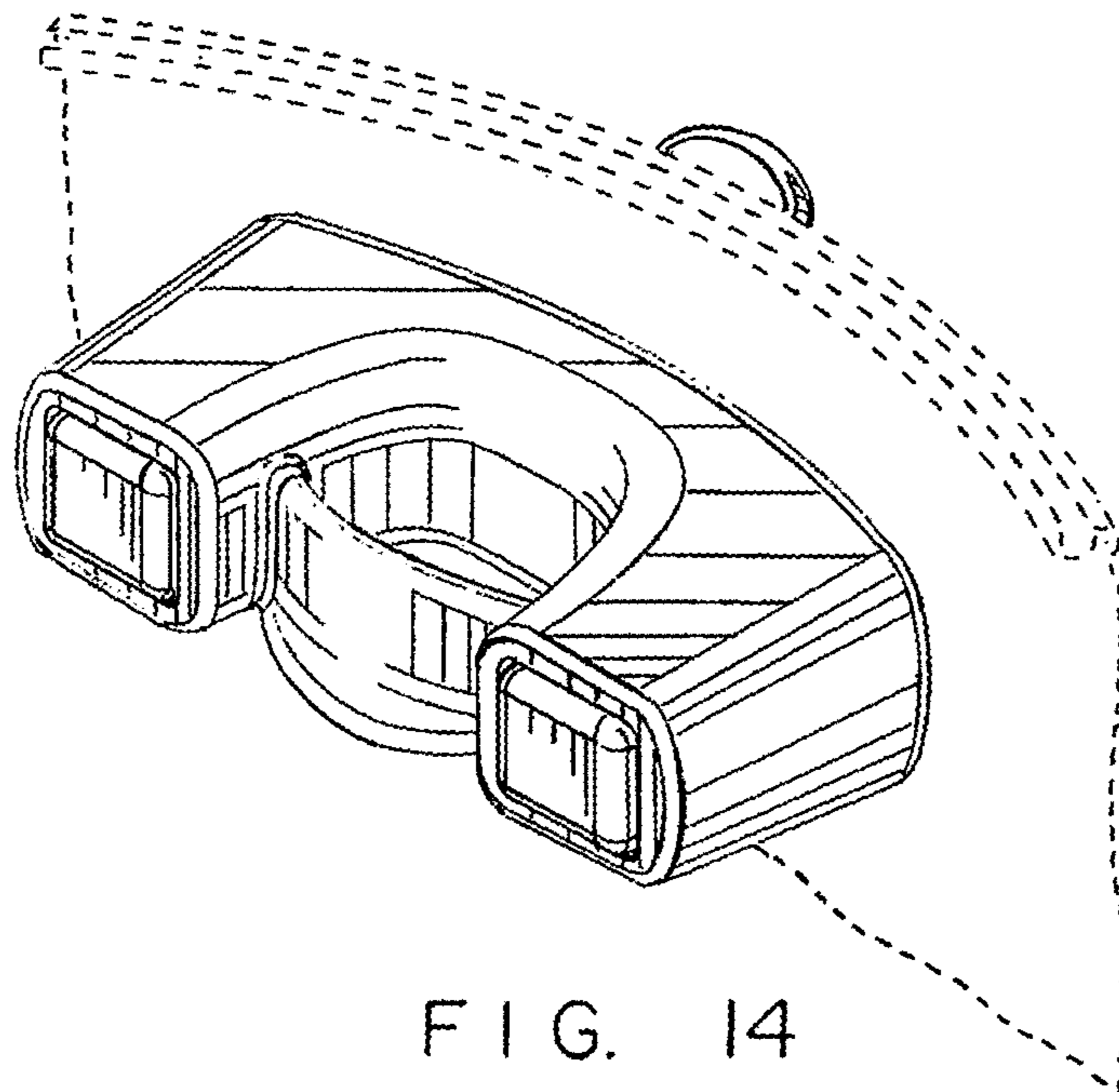


FIG. 14