



US00D810372S

(12) **United States Design Patent** (10) **Patent No.:** **US D810,372 S**  
**Buckley et al.** (45) **Date of Patent:** **\*\* Feb. 13, 2018**

(54) **CLEANING HEAD**

FOREIGN PATENT DOCUMENTS

(71) Applicant: **Unger Marketing International, LLC**,  
Bridgeport, CT (US)

CA 2730814 A1 8/2011  
CA 2893297 6/2014

(Continued)

(72) Inventors: **James M. Buckley**, New Hartford, CT  
(US); **Joseph K. Patterson**, Monroe,  
CT (US)

OTHER PUBLICATIONS

(73) Assignee: **UNGER MARKETING  
INTERNATIONAL, LLC**, Bridgeport,  
CT (US)

Unger Stingray Indoor Window Cleaning Kit | Jon-Don, website  
2017, <http://www.jondon.com/ea-stingray-indoor-hand-held-cleaning-kit.html#tab-additional>, [site visited Feb. 16, 2017 9:40:14 PM].\*

(\*\*) Term: **15 Years**

(Continued)

(21) Appl. No.: **29/550,205**

*Primary Examiner* — John Windmuller

(22) Filed: **Dec. 31, 2015**

*Assistant Examiner* — John R Yeh

**Related U.S. Application Data**

(74) *Attorney, Agent, or Firm* — Ohlandt, Greeley,  
Ruggiero & Perle, L.L.P.

(63) Continuation of application No. 14/983,883, filed on  
Dec. 30, 2015.

(51) **LOC (11) Cl.** ..... **07-05**

(52) **U.S. Cl.**  
USPC ..... **D32/50**

(58) **Field of Classification Search**

USPC ..... D32/40-43, 50-52; D4/118, 199;  
D8/33, 47, 90, 93  
CPC . A47L 13/08; A47L 9/06; A47L 13/02; A46B  
5/02; B24D 15/06; B25F 1/00; B26B  
5/00; B44D 3/16; B08B 1/00; B60S 3/04  
See application file for complete search history.

(57) **CLAIM**

The ornamental design for a cleaning head, as shown and  
described.

(56) **References Cited**

U.S. PATENT DOCUMENTS

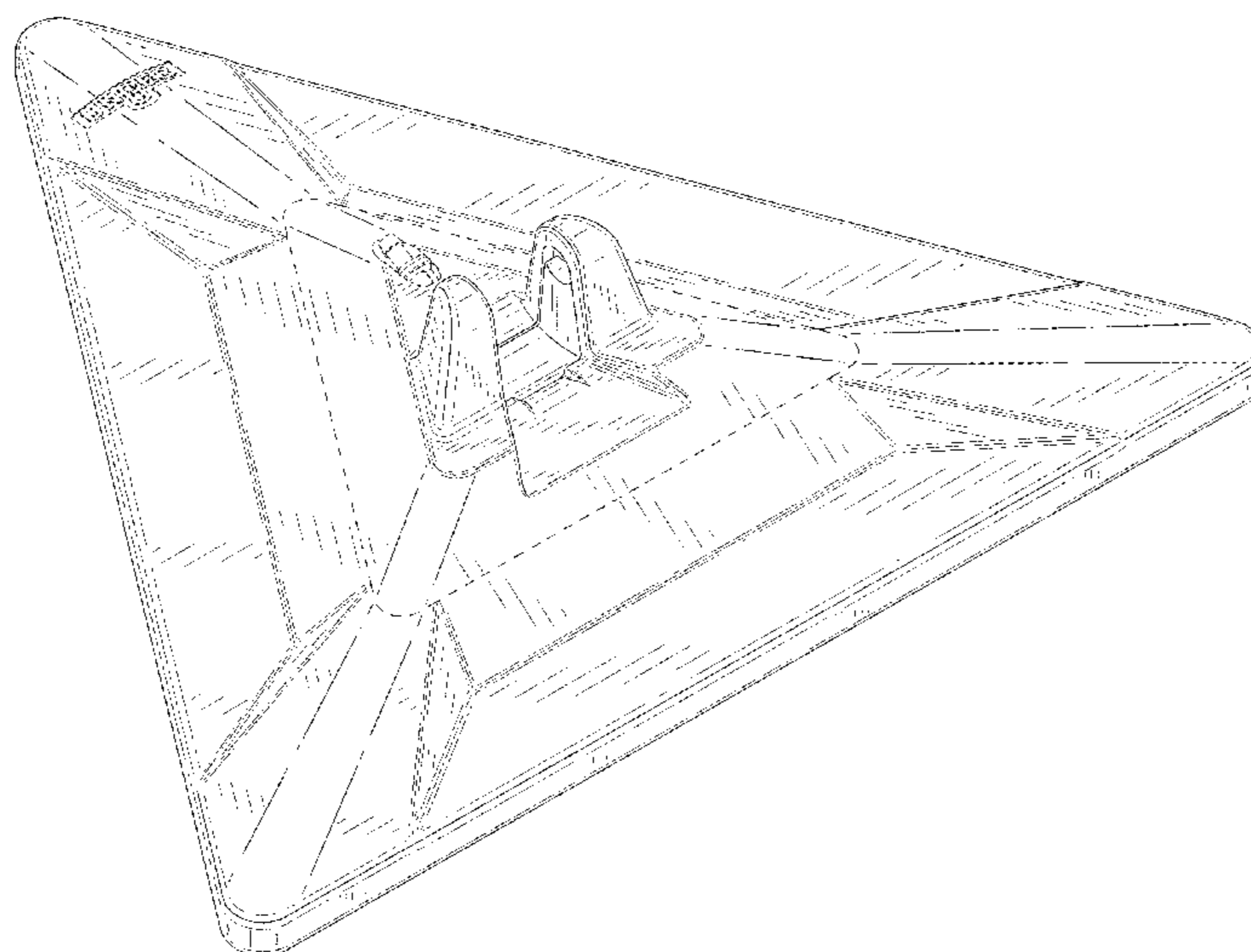
1,186,960 A \* 6/1916 Wells ..... A47L 13/20  
15/228  
1,378,243 A \* 5/1921 Kracke ..... A47L 1/09  
15/121  
1,420,180 A \* 6/1922 Casmire ..... A47L 13/252  
15/160

**DESCRIPTION**

FIG. 1 is a front, top perspective view of a cleaning head  
according to the present disclosure;  
FIG. 2 is a rear, bottom perspective view of the cleaning  
head of FIG. 1;  
FIG. 3 is a first side view of the cleaning head of FIG. 1;  
FIG. 4 is a second, opposite side view of the cleaning head  
of FIG. 1;  
FIG. 5 is a front view of the cleaning head of FIG. 1;  
FIG. 6 is a rear view of the cleaning head of FIG. 1;  
FIG. 7 is a top view of the cleaning head of FIG. 1; and,  
FIG. 8 is a bottom view of the cleaning head of FIG. 1.  
The broken lines in the figures represent portions of the  
cleaning head that form no part of the claimed design.

(Continued)

**1 Claim, 6 Drawing Sheets**



(56)

References Cited

U.S. PATENT DOCUMENTS

1,508,941 A \* 9/1924 Severns ..... A47L 13/255  
15/229.6  
1,789,328 A \* 1/1931 Welling ..... A47L 13/24  
403/163  
D100,668 S \* 8/1936 Lofgren ..... 15/374  
2,104,161 A 1/1938 Koukal  
2,214,519 A \* 9/1940 Bailey ..... A47L 13/255  
15/147.2  
D197,640 S \* 3/1964 Doster ..... D32/41  
D245,473 S \* 8/1977 Heninger ..... D32/50  
4,682,558 A \* 7/1987 Broersz ..... B63B 59/08  
114/222  
4,776,716 A 10/1988 Huang  
4,863,299 A 9/1989 Osberghaus et al.  
D315,642 S \* 3/1991 Furgale ..... D32/50  
D332,160 S \* 12/1992 Kuzma ..... D32/41  
5,271,682 A 12/1993 Realdon  
5,309,598 A \* 5/1994 Carpenter ..... A47L 13/02  
15/236.01  
5,470,272 A \* 11/1995 Kikuchi ..... B24B 23/04  
451/344  
D374,750 S \* 10/1996 Vanderhoef ..... D32/50  
5,735,620 A 4/1998 Ford  
5,888,006 A 3/1999 Ping et al.  
D414,005 S \* 9/1999 Lehnertz ..... D32/45  
D417,050 S \* 11/1999 Reede ..... D32/50  
6,142,750 A 11/2000 Benecke  
6,497,525 B1 12/2002 Huang  
D471,334 S \* 3/2003 Reede ..... D32/50  
6,540,424 B1 4/2003 Hall et al.  
6,551,001 B2 4/2003 Aberegg et al.  
6,579,023 B2 6/2003 Kunkler et al.  
6,612,768 B2 9/2003 Zorzo  
6,655,866 B1 12/2003 Morad et al.  
6,659,670 B1 12/2003 Blouse  
6,663,306 B2 12/2003 Policicchio et al.  
6,669,391 B2 12/2003 Policicchio et al.  
6,722,806 B2 4/2004 Kunkler et al.  
6,726,388 B1 4/2004 Monahan  
6,854,911 B2 2/2005 Policicchio et al.  
6,854,912 B2 2/2005 Dyer et al.  
6,893,180 B2 5/2005 Hall et al.  
6,899,485 B2 5/2005 Hall et al.  
6,953,299 B2 10/2005 Wang et al.  
6,960,042 B1 11/2005 Hsiao  
6,964,535 B2 11/2005 Bell et al.  
6,981,533 B2 1/2006 Zorzo  
6,986,618 B2 1/2006 Hall et al.  
6,986,619 B2 1/2006 Hall et al.  
7,004,658 B2 2/2006 Hall et al.  
7,048,458 B2 5/2006 Hall et al.  
7,048,804 B2 5/2006 Kisela et al.  
7,056,050 B2 6/2006 Sacks  
7,159,275 B2 1/2007 Chang  
7,160,044 B2 1/2007 Dyer et al.  
7,163,349 B2 1/2007 Policicchio et al.  
7,172,099 B2 2/2007 Hofte et al.  
7,191,486 B1 3/2007 Michelson et al.  
D547,069 S \* 7/2007 Braithwaite ..... D32/15  
7,431,524 B2 10/2008 Sacks  
D589,668 S \* 3/2009 Byrne ..... D32/50  
7,530,136 B1 5/2009 Ball  
D598,727 S \* 8/2009 Carlton ..... D8/90

7,618,206 B2 11/2009 Sacks  
D611,214 S \* 3/2010 Kaminer ..... D32/44  
7,699,551 B2 4/2010 Suda et al.  
7,708,485 B2 5/2010 Tanaka et al.  
7,722,273 B2 5/2010 Tanaka et al.  
7,850,384 B2 12/2010 Sacks  
D631,217 S \* 1/2011 Lavy ..... D32/45  
D647,677 S \* 10/2011 Dammkoehler ..... D32/51  
8,069,520 B2 12/2011 Mattucci et al.  
8,079,770 B2 12/2011 Widmer et al.  
8,096,723 B2 1/2012 Bae  
8,109,685 B1 2/2012 Vito  
8,186,898 B2 5/2012 Bradbury et al.  
8,205,293 B2 6/2012 Rosenzweig et al.  
8,241,427 B1 8/2012 Crawford et al.  
8,267,607 B2 9/2012 Harris  
8,425,137 B1 4/2013 Sampaio  
8,449,212 B2 5/2013 Crawford et al.  
8,596,896 B2 12/2013 Kimura  
8,641,309 B2 2/2014 Perry et al.  
8,662,778 B2 3/2014 Crawford et al.  
8,667,637 B2 3/2014 Vrdoljak et al.  
8,807,858 B2 8/2014 Fitzpatrick et al.  
8,834,053 B2 9/2014 Van Landingham, Jr. et al.  
8,844,088 B2 9/2014 Garcia Castillo  
8,894,315 B2 11/2014 Dingert et al.  
8,926,210 B2 1/2015 Orubor  
8,927,480 B2 1/2015 Williams et al.  
9,044,132 B2 6/2015 Kaminer et al.  
2003/0103795 A1 6/2003 Hollars et al.  
2003/0126710 A1 7/2003 Policicchio et al.  
2004/0146333 A1 7/2004 Fu  
2004/0223803 A1 11/2004 Fahy et al.  
2005/0031404 A1 2/2005 Tsai et al.  
2005/0089360 A1 4/2005 Garabedian, Jr. et al.  
2005/0191116 A1 9/2005 Flanery et al.  
2006/0039743 A1 2/2006 Mensink et al.  
2006/0110207 A1 5/2006 Augustinus Hofte et al.  
2006/0213017 A1 9/2006 Bele et al.  
2007/0140774 A1 6/2007 Dyer et al.  
2007/0231046 A1 10/2007 Whiffen et al.  
2008/0038045 A1 2/2008 Hofte et al.  
2008/0066242 A1 3/2008 Aiyar  
2008/0205972 A1 8/2008 LaFlamme et al.  
2011/0158740 A1 6/2011 Kandasamy et al.  
2012/0227763 A1 9/2012 Hayes et al.  
2013/0263396 A1 10/2013 Crawford et al.  
2013/0263398 A1 10/2013 Irwin et al.  
2014/0317868 A1 10/2014 Fitzpatrick et al.  
2015/0082570 A1 3/2015 Davidshofer et al.  
2015/0089757 A1 4/2015 Davidshofer et al.  
2015/0101140 A1 4/2015 Pierce

FOREIGN PATENT DOCUMENTS

CN 300845080 \* 11/2008  
CN 302838911 \* 6/2014  
CN 303499919 \* 12/2015

OTHER PUBLICATIONS

HooverTwinTank\_2011\_Manual, 13 pages.  
International Search Report and Written Opinion dated Feb. 25,  
2016 for corresponding International Patent Application No. PCT/  
US2015/068212, 8 pages.

\* cited by examiner

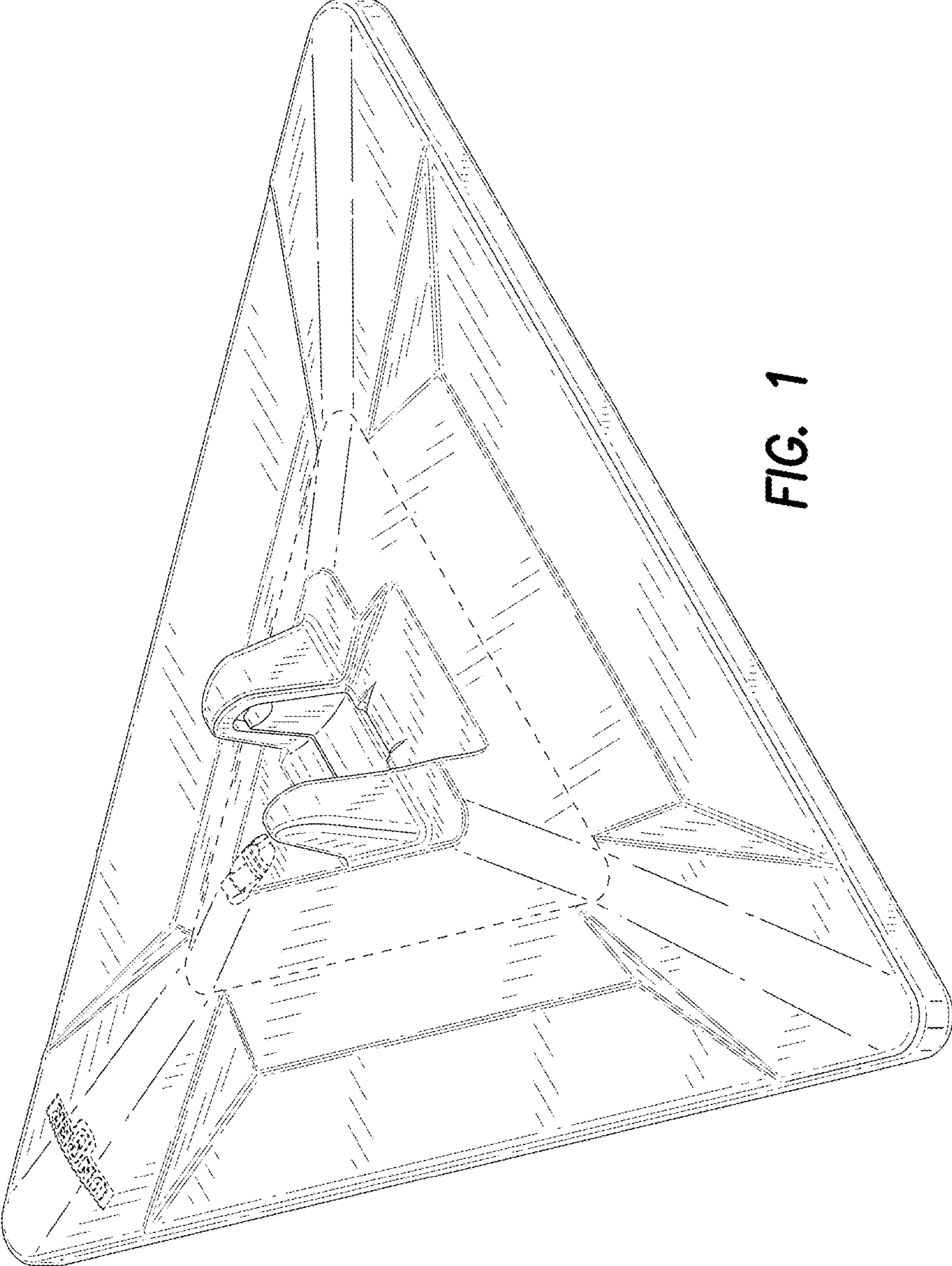


FIG. 1

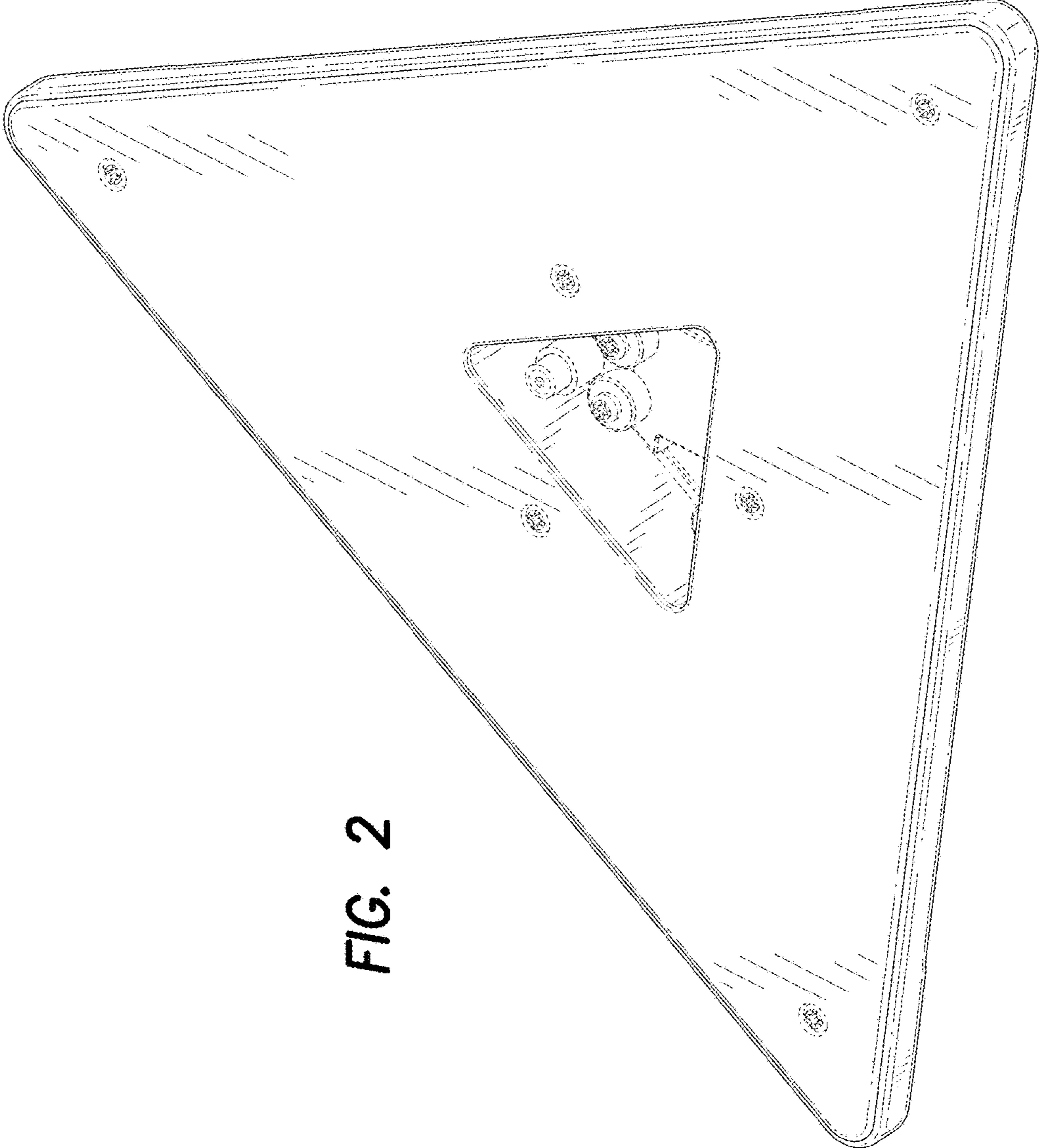
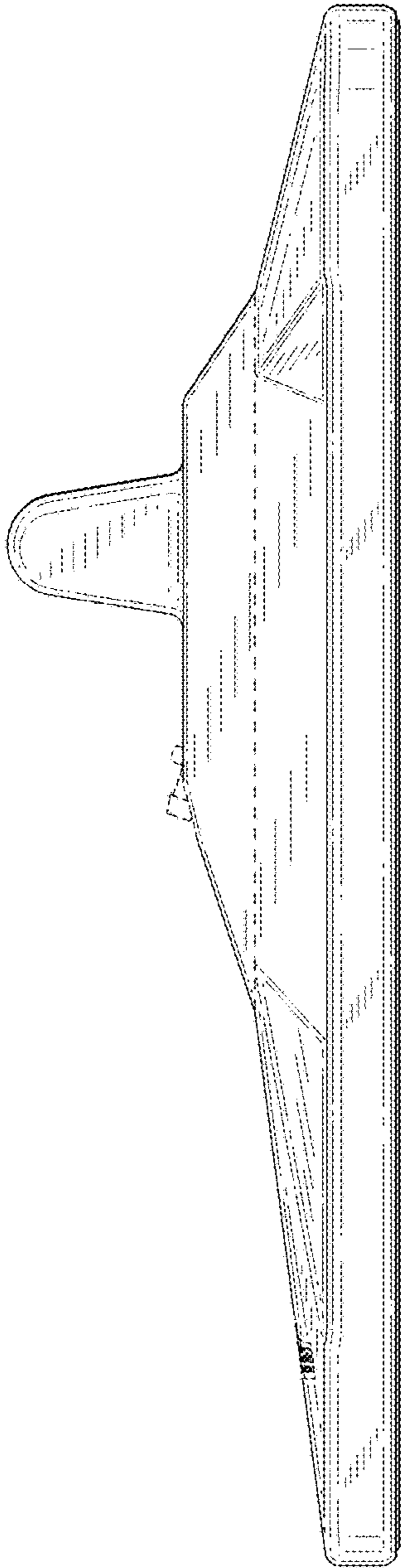
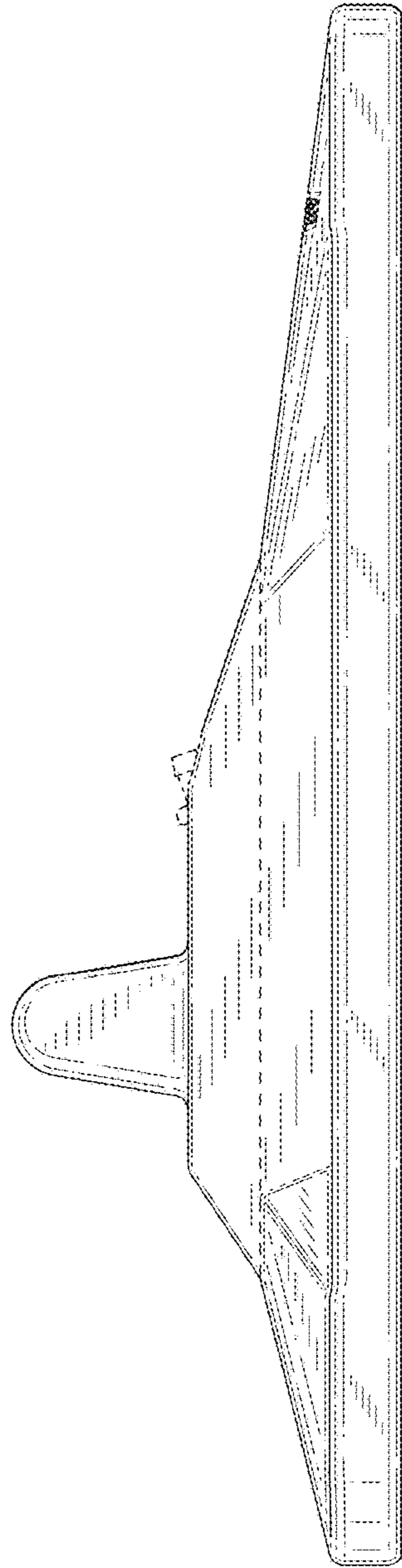


FIG. 2



**FIG. 3**



**FIG. 4**

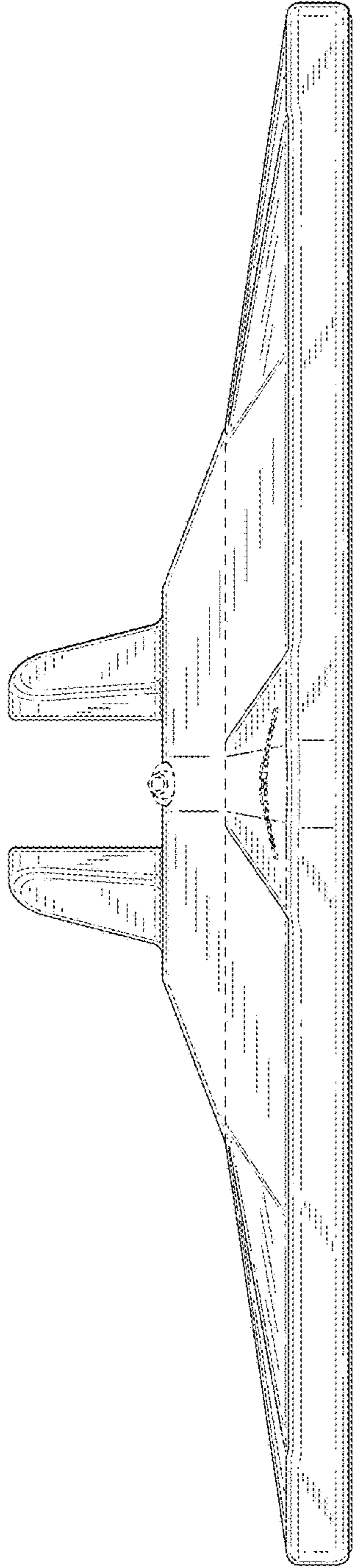


FIG. 5

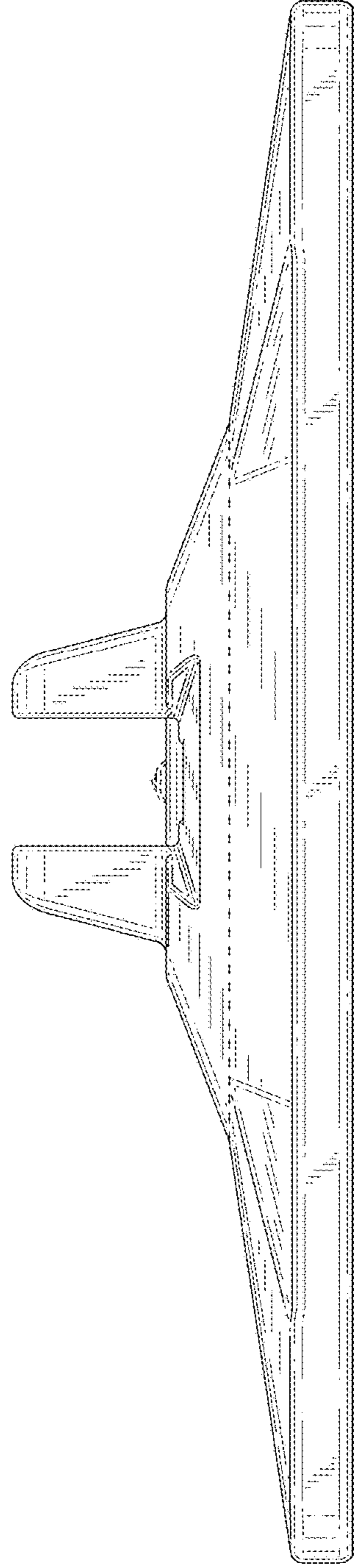


FIG. 6

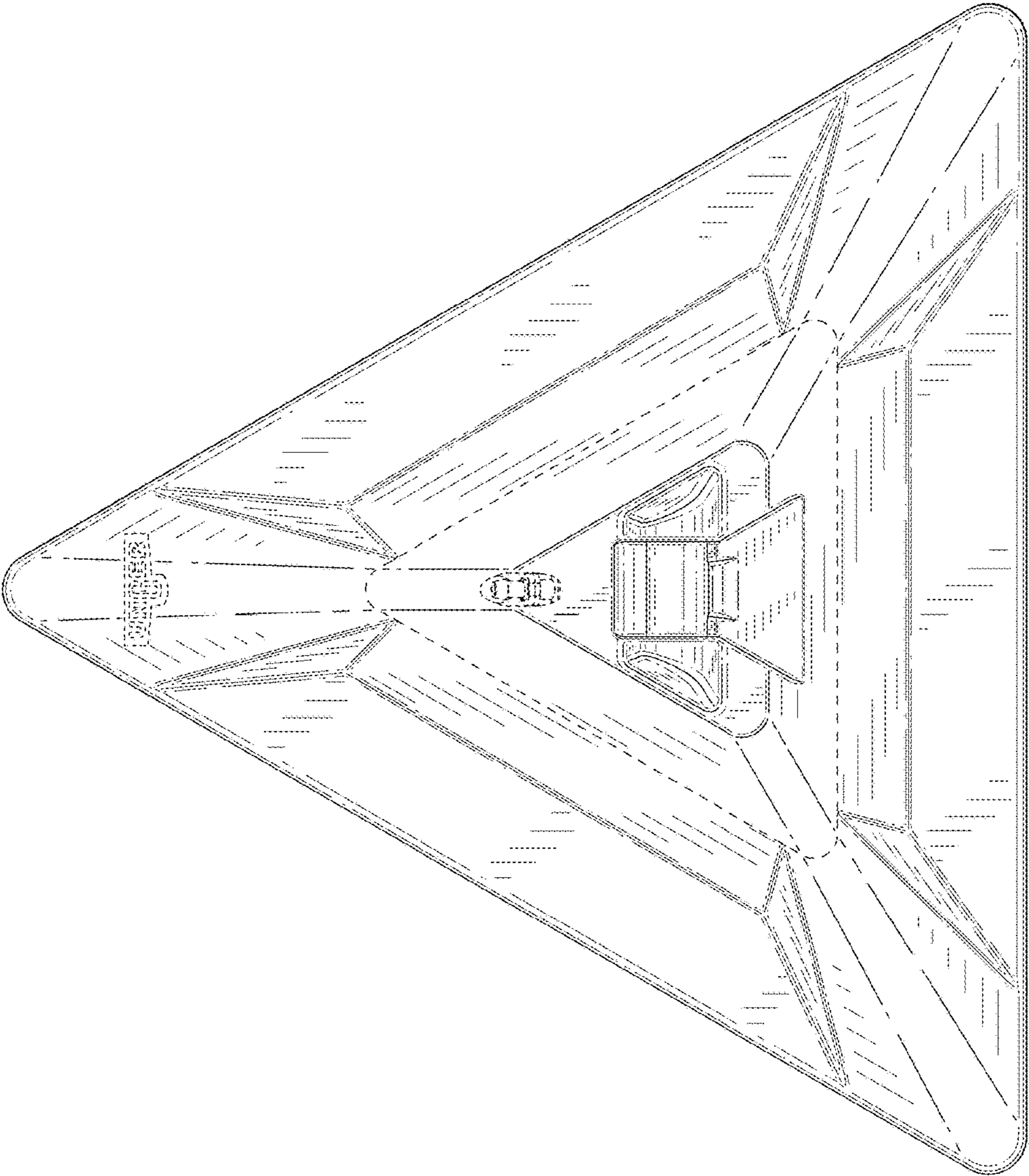


FIG. 7

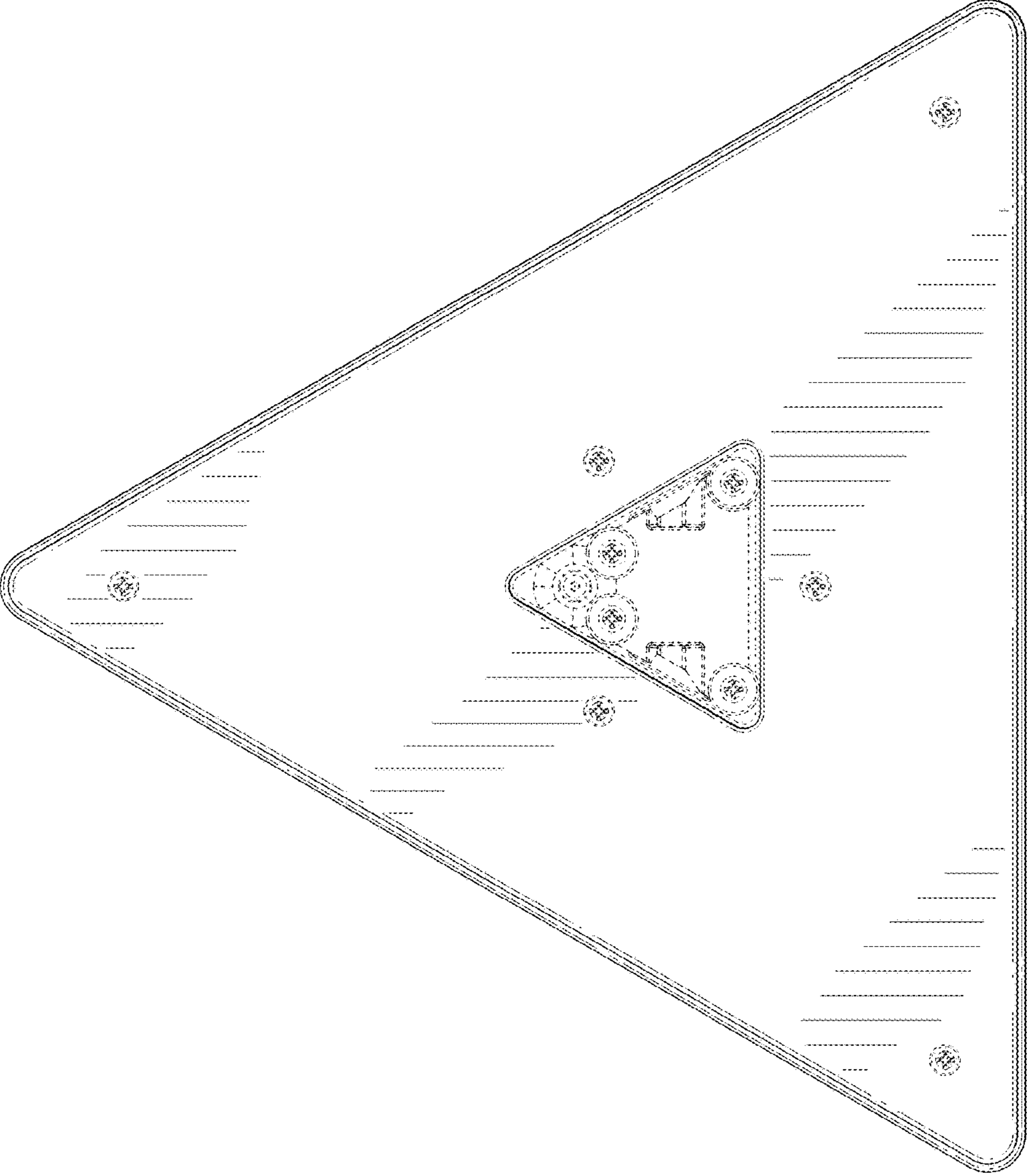


FIG. 8