



US00D810371S

(12) **United States Design Patent** (10) **Patent No.:** **US D810,371 S**
Lentine (45) **Date of Patent:** **** Feb. 13, 2018**

(54) **SPRAY MOP**

(71) Applicant: **Lou Lentine**, Chattanooga, TN (US)

(72) Inventor: **Lou Lentine**, Chattanooga, TN (US)

(**) Term: **15 Years**

(21) Appl. No.: **29/550,294**

(22) Filed: **Dec. 31, 2015**

(51) **LOC (11) Cl.** **07-05**

(52) **U.S. Cl.**
USPC **D32/45**

(58) **Field of Classification Search**
USPC D32/40-45, 50-52
CPC A01K 63/04; E21B 10/02; A47L 13/16;
A47L 13/12; A47L 13/22; B05B 15/06
See application file for complete search history.

(56) **References Cited**

U.S. PATENT DOCUMENTS

- 1,921,637 A * 8/1933 Ranish A47L 13/22
15/229.6
- D152,136 S * 12/1948 Berry D32/50
- 3,278,977 A * 10/1966 Makar A47L 13/142
15/120.2
- D325,454 S * 4/1992 Schmidt D32/51
- D486,616 S * 2/2004 Hall D32/45
- D505,762 S * 5/2005 Lalanne D32/45
- D615,260 S * 5/2010 Koenig D32/45
- D620,216 S * 7/2010 Libman D32/52
- D625,481 S * 10/2010 Raven D32/51
- 8,108,961 B2 * 2/2012 Lin A46B 5/0058
15/159.1
- D661,036 S * 5/2012 Raven D32/45
- D673,748 S * 1/2013 Snyder D32/45
- D685,968 S * 7/2013 Smith D32/45
- D698,112 S * 1/2014 Molinet D32/51
- 8,844,088 B2 * 9/2014 Garcia Castillo A47L 13/22
15/150
- D720,905 S * 1/2015 Lentine D32/50

- D721,462 S * 1/2015 Muhl D32/50
- 9,131,823 B2 * 9/2015 Maczuzak A47L 13/22
- D765,330 S * 8/2016 Lentine D32/45
- D773,767 S * 12/2016 Troger D32/50
- D782,141 S * 3/2017 Troger D32/50
- 2012/0233794 A1 * 9/2012 Yu B25G 1/04
15/98

(Continued)

FOREIGN PATENT DOCUMENTS

- CN 303015703 * 12/2014
- CN 303037868 * 12/2014
- JP D1454992 * 11/2012

OTHER PUBLICATIONS

Amazon.com : Hurricane Spray and Spin Mop, review date 2016,
<https://www.amazon.com/Viatek-Hurricane-Spray-and-Spin/dp/B00NMKGKDG>, [site visited Apr. 27, 2017 6:30:52 PM].*

(Continued)

Primary Examiner — John Windmuller
Assistant Examiner — John R Yeh
(74) *Attorney, Agent, or Firm* — Larry D. Johnson

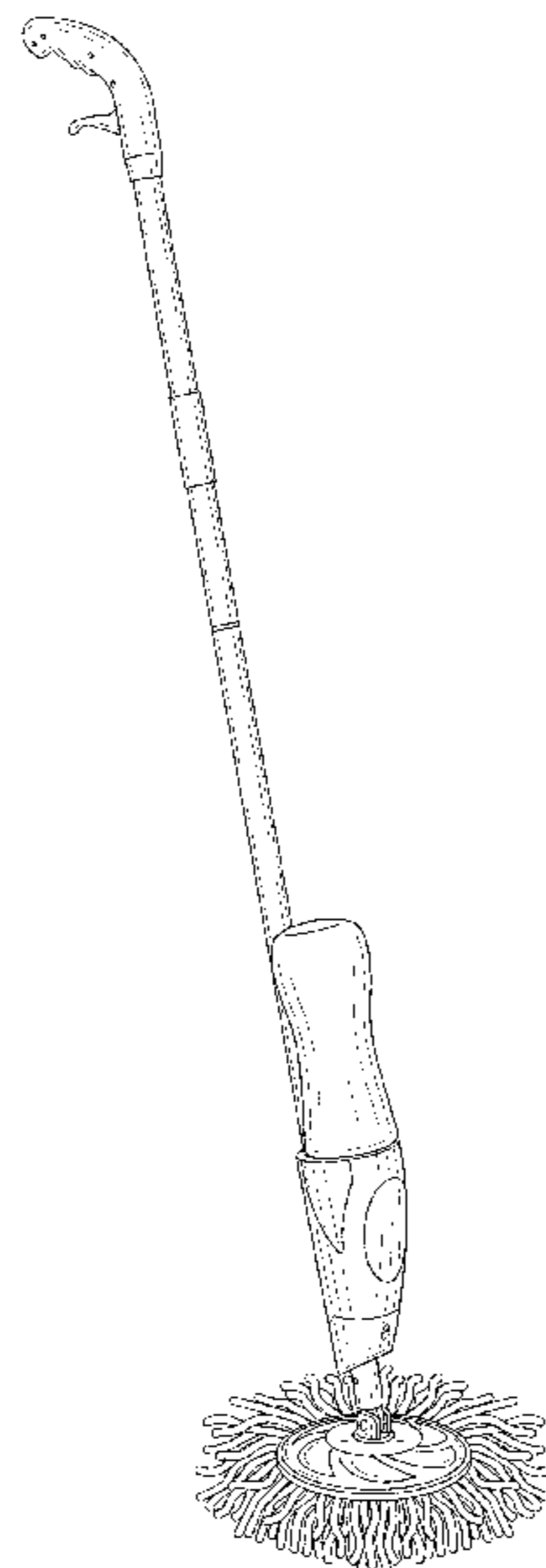
(57) **CLAIM**

The ornamental design for a spray mop, as shown.

DESCRIPTION

FIG. 1 is a front perspective view thereof;
FIG. 2 is a front elevation view thereof;
FIG. 3 is a rear elevation view thereof;
FIG. 4 is a right side elevation view thereof;
FIG. 5 is a left side elevation view thereof;
FIG. 6 is a top view thereof; and,
FIG. 7 is a bottom view thereof.
The broken lines in the figures represent features of the spray mop which form no part of the claimed design.

1 Claim, 5 Drawing Sheets



(56)

References Cited

U.S. PATENT DOCUMENTS

2012/0255139 A1 * 10/2012 Dingert A47L 13/142
15/228

OTHER PUBLICATIONS

Ebay Shiwala Magic Mop Super Absorbent Microfiber 360 Swivel Spray, review 2016, <https://www.ebay.com/p/9925-shiwala-magic-mop-super-absorbent-microfiber-360-swivel-spray-080313099250/1063182779>, [site visited Apr. 27, 2017 6:15:43 PM].*

Hurricane Spray and Spin Mop—Viatek Consumer Products Group, website 2017, site visited Apr. 27, 2017, [https://www.viatekproducts.com/collections/cleaning/products/hurricane-spray-and-spin-m . . .](https://www.viatekproducts.com/collections/cleaning/products/hurricane-spray-and-spin-m...).*

* cited by examiner

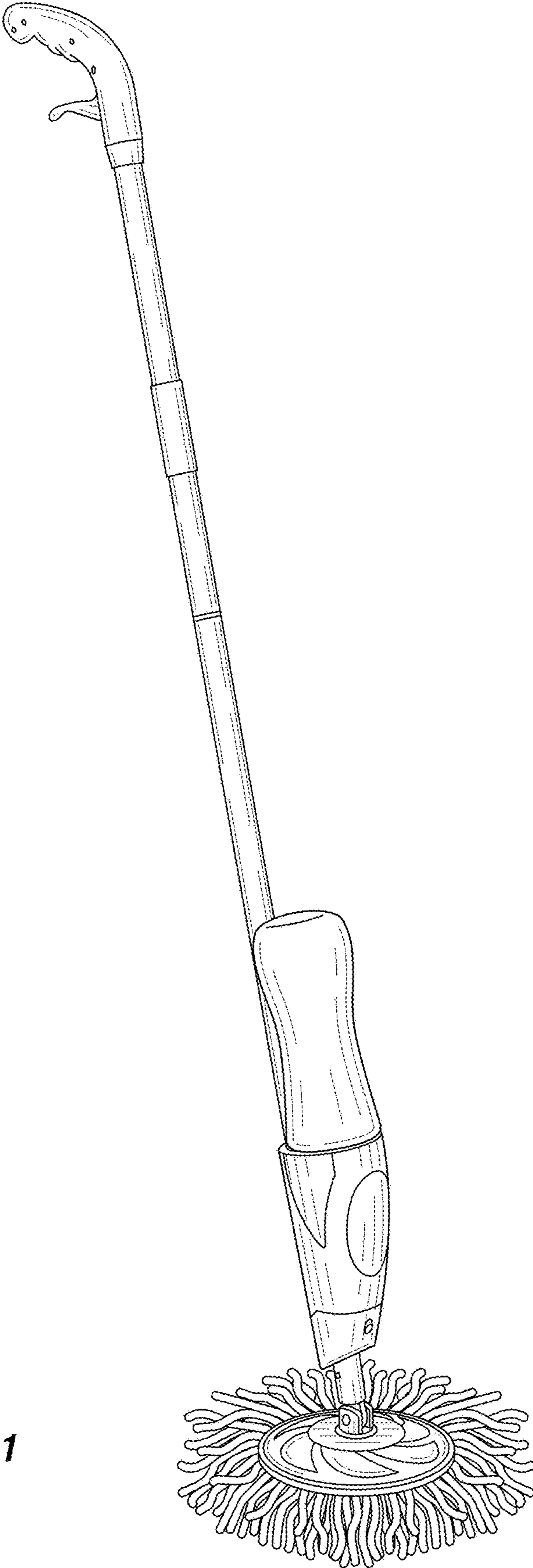


FIG. 1

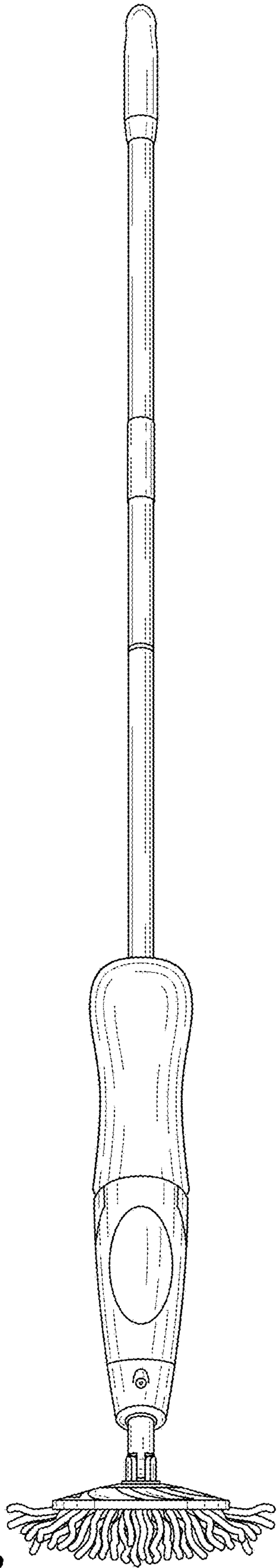


FIG. 2

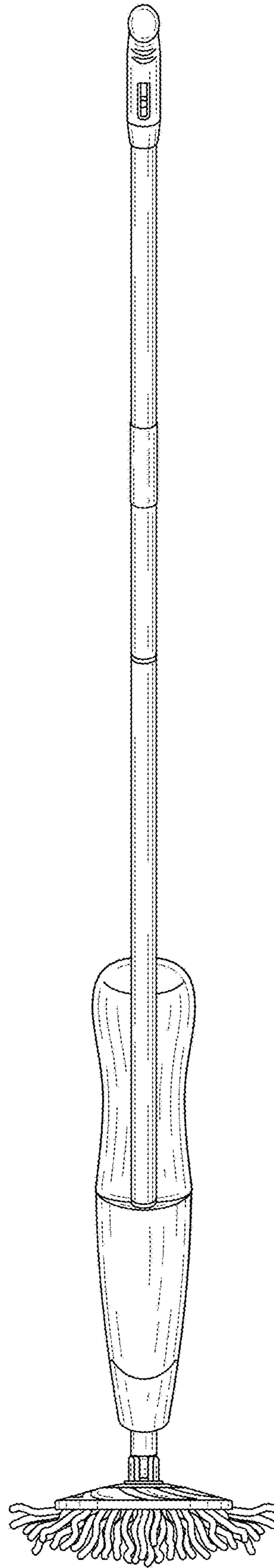


FIG. 3

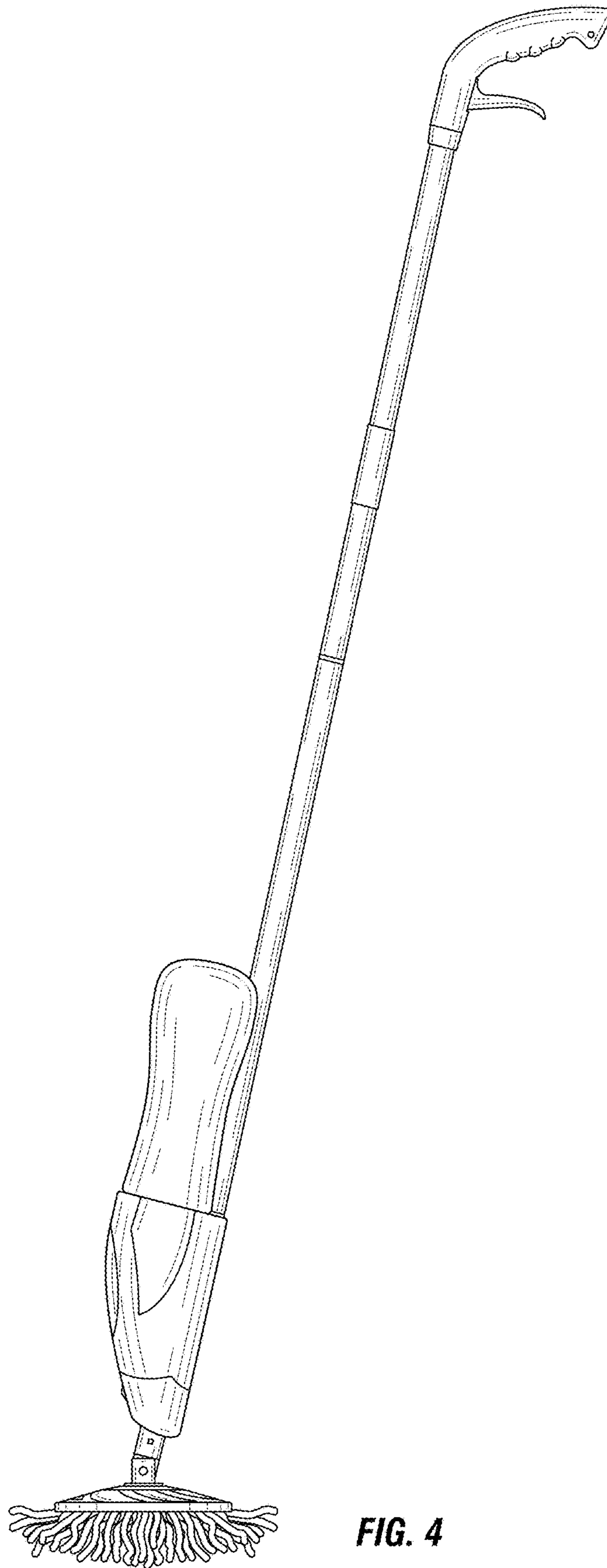


FIG. 4

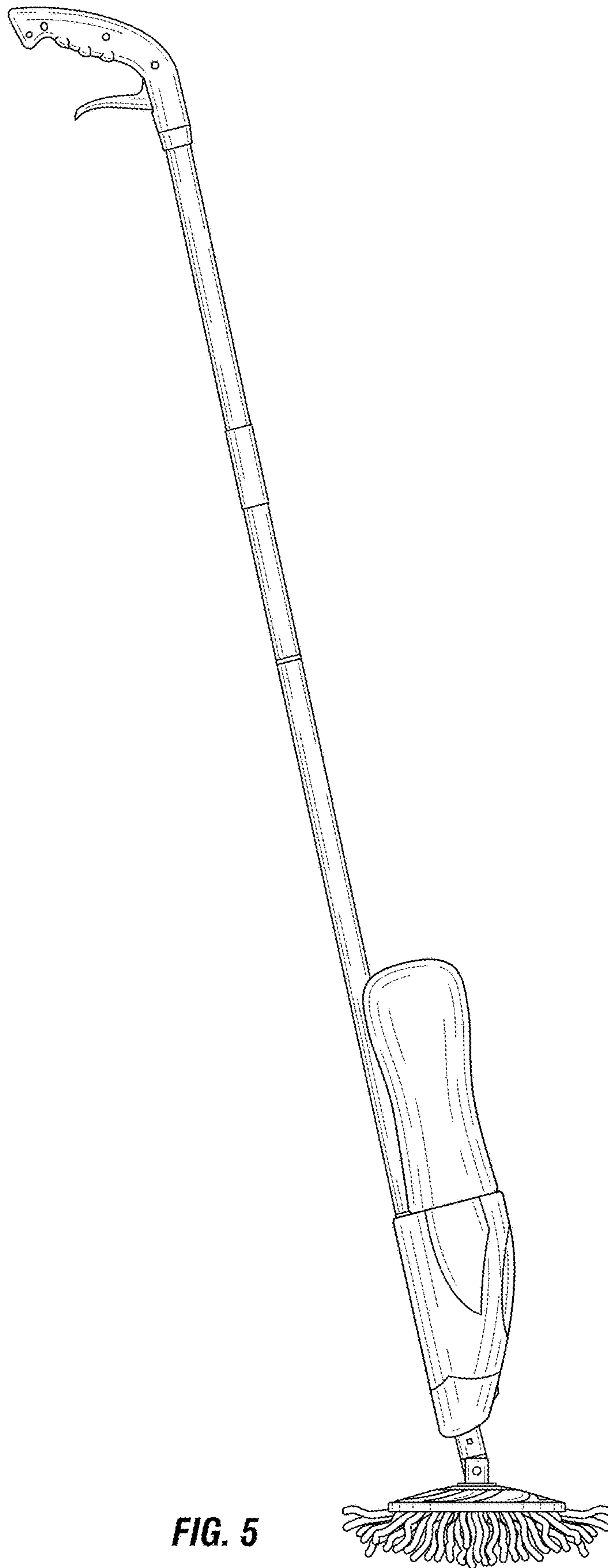


FIG. 5

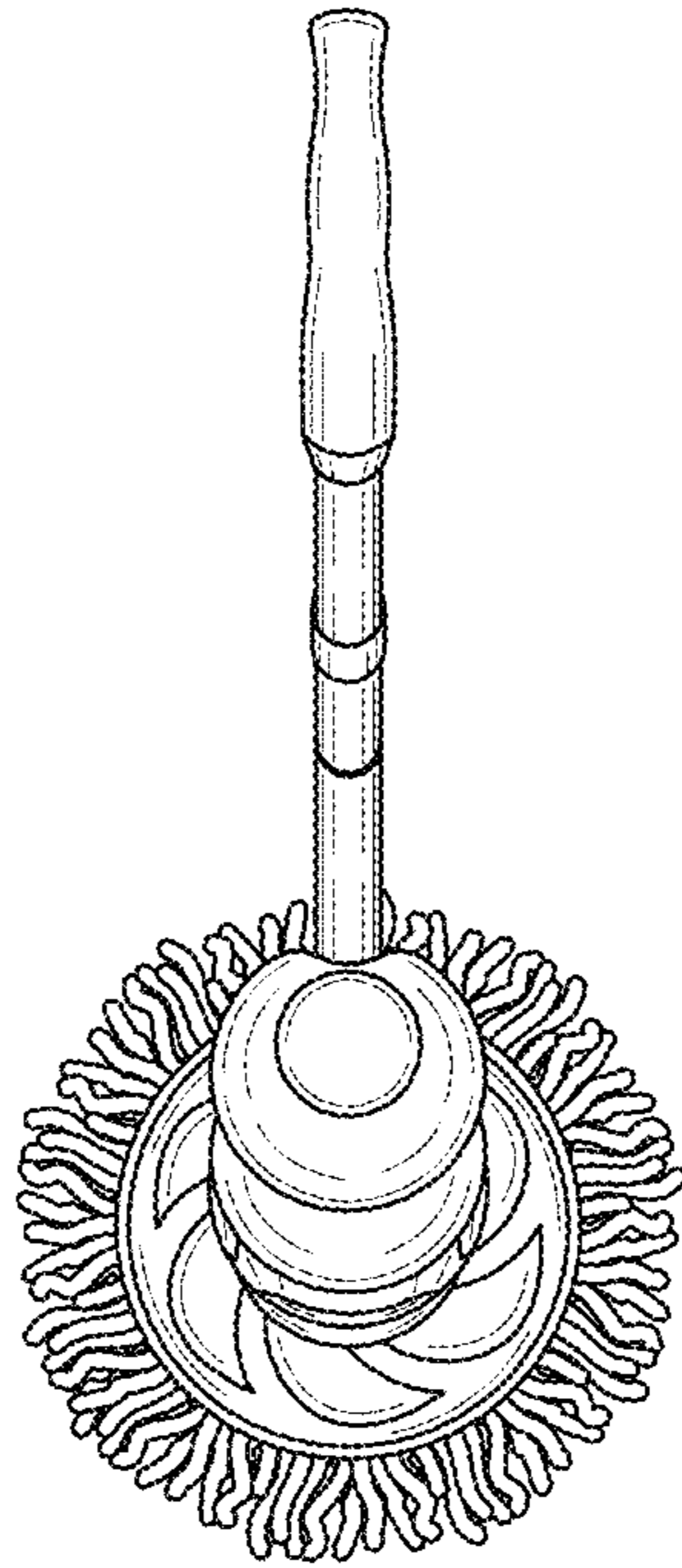


FIG. 6

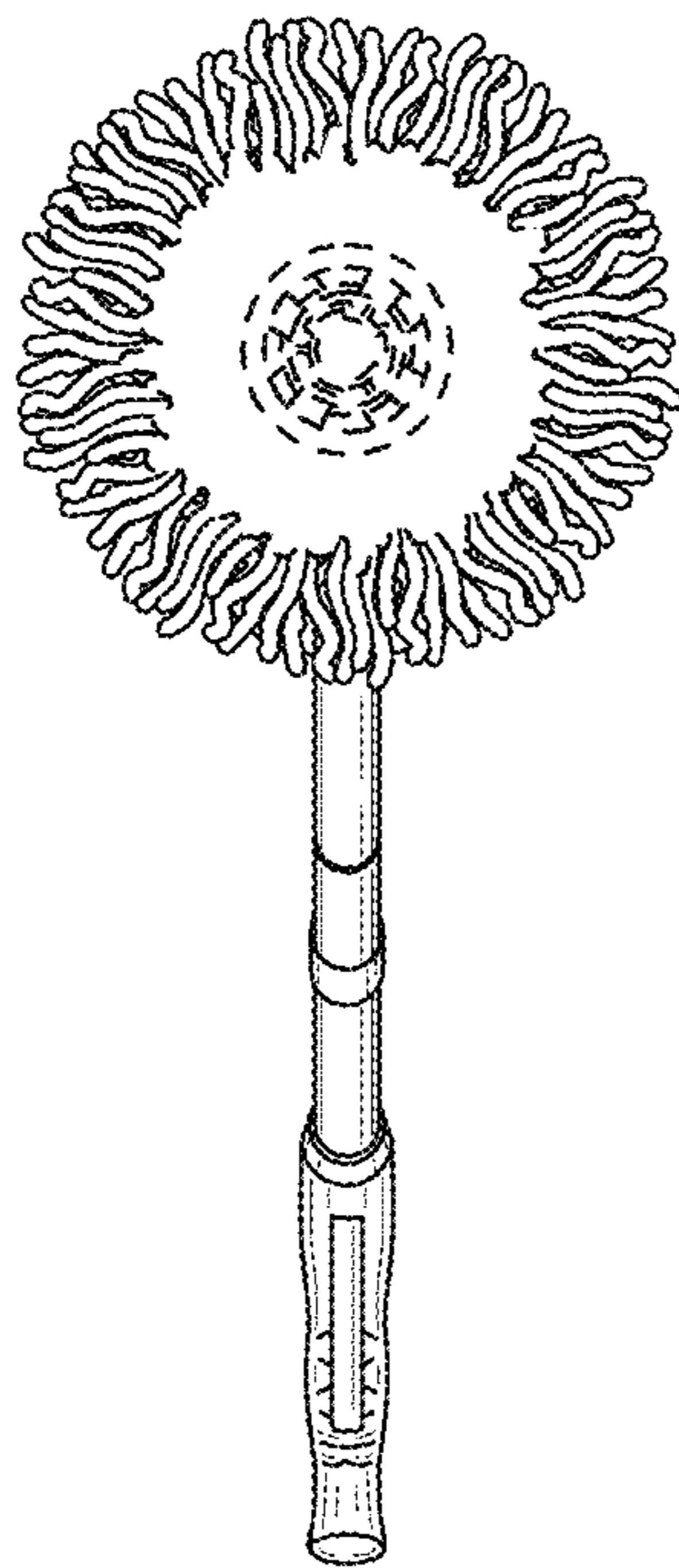


FIG. 7