



US00D810369S

(12) **United States Design Patent**
Woo et al.

(10) **Patent No.:** **US D810,369 S**

(45) **Date of Patent:** **** Feb. 13, 2018**

(54) **CLEANER**

(71) Applicant: **Samsung Electronics Co., Ltd.**,
Suwon-si, Gyeonggi-do (KR)

(72) Inventors: **Sangsung Woo**, Seoul (KR); **Sangmin Hyun**, Seoul (KR); **Jongchan Kwon**,
Yongin-si (KR); **Seo Lee**, Yongin-si
(KR); **Yangjic Lee**, Gwacheon-si (KR)

(73) Assignee: **SAMSUNG ELECTRONICS CO., LTD.**,
Suwon-si, Gyeonggi-Do (KR)

(**) Term: **15 Years**

(21) Appl. No.: **29/540,565**

(22) Filed: **Sep. 25, 2015**

(30) **Foreign Application Priority Data**

Mar. 26, 2015 (KR) 30-2015-0015426

(51) **LOC (11) Cl.** **15-05**

(52) **U.S. Cl.**
USPC **D32/31**

(58) **Field of Classification Search**

USPC D32/17-18, 22, 31, 34, 45, 50-51, 25;
D8/374, 323, 325; D23/259, 262, 264
CPC A47L 5/24; A47L 5/28; A47L 5/34; A47L
7/0038; A47L 9/325; A47L 9/02; A47L
9/242; A47L 11/34; A47L 11/4086; A47L
13/26; A47L 13/225; A47L 13/22; B08B
9/0323; A23C 3/031
See application file for complete search history.

(56) **References Cited**

U.S. PATENT DOCUMENTS

D209,573 S * 12/1967 Leinfelt D32/31
D264,011 S * 4/1982 Genoa D32/31
D314,848 S * 2/1991 Foldes D32/31
D488,270 S * 4/2004 Biere D32/25
D498,568 S * 11/2004 Colman D32/25

D532,947 S * 11/2006 Muscarella D32/31
D538,404 S * 3/2007 Campbell D23/264
D545,512 S * 6/2007 Genoa D32/31
D597,715 S * 8/2009 Barker D32/31
D610,760 S * 2/2010 Zugen D32/31

(Continued)

Primary Examiner — Ruth McInroy

(74) *Attorney, Agent, or Firm* — Ladas & Parry LLP

(57) **CLAIM**

We claim the ornamental design for a cleaner, as shown and described.

DESCRIPTION

FIG. 1 is a perspective view of a cleaner showing our new design;

FIG. 2 is a front view thereof;

FIG. 3 is a rear view thereof;

FIG. 4 is a left-side view thereof;

FIG. 5 is a right-side view thereof;

FIG. 6 is a top view thereof;

FIG. 7 is a bottom view thereof;

FIG. 8 is an enlarged view of the encircled portion 8 of FIG. 1;

FIG. 9 is an enlarged view of the encircled portion 9 of FIG. 2;

FIG. 10 is an enlarged view of the encircled portion 10 of FIG. 3;

FIG. 11 is an enlarged view of the encircled portion 11 of FIG. 4; and,

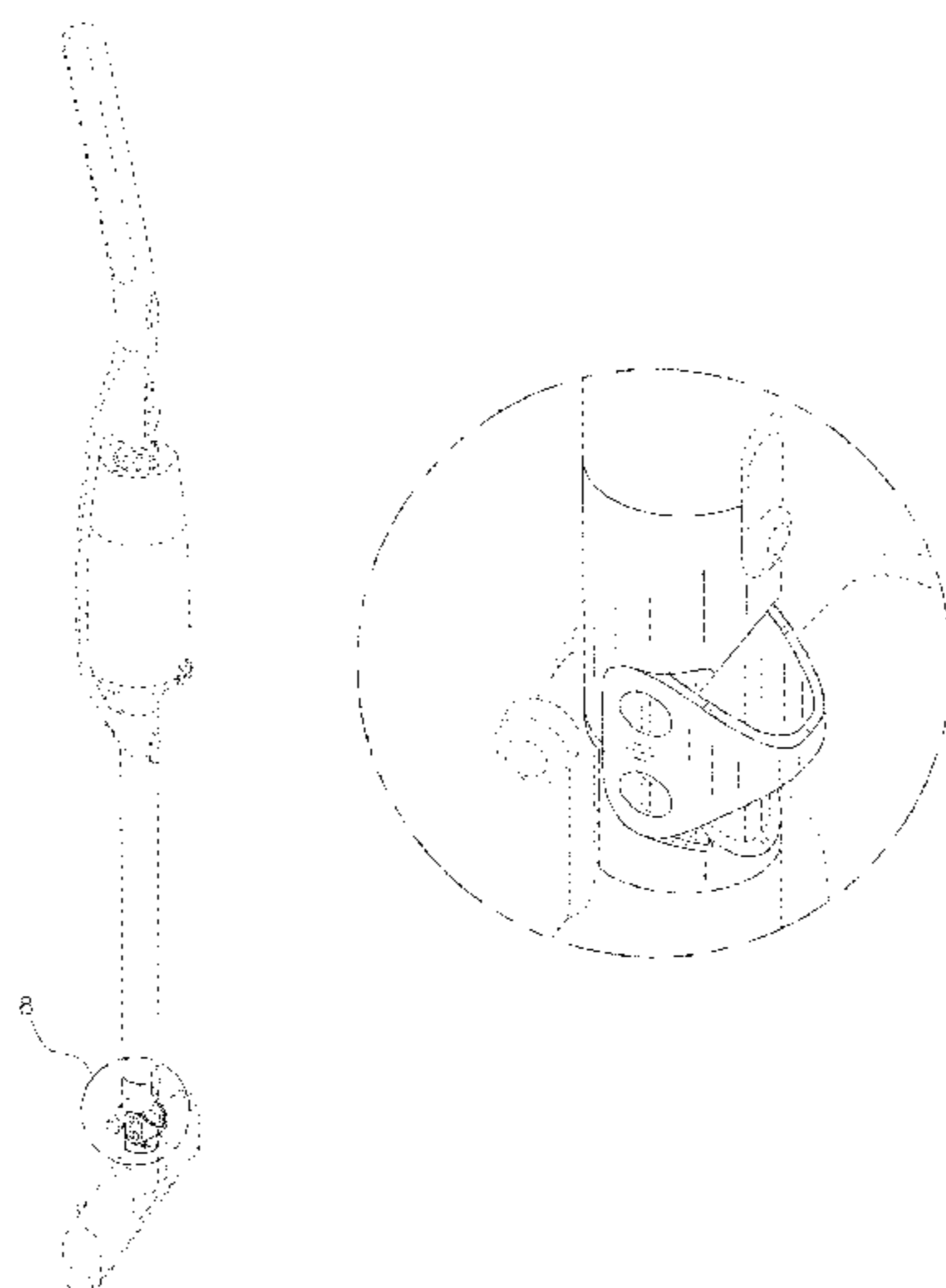
FIG. 12 is a left-side view showing the cleaner in use.

The broken lines illustrating portions of the cleaner are for environmental purposes only and form no part of the claimed design.

The dot-dash broken lines in the figures represent an unclaimed boundary line and form no part of the claimed design.

The double dot-dash broken lines encircling enlargement portions of the design form no part of the claimed design.

1 Claim, 12 Drawing Sheets



(56)

References Cited

U.S. PATENT DOCUMENTS

8,914,937 B2 * 12/2014 Haan A47L 13/225
15/320
2002/0101075 A1 * 8/2002 Park A47L 9/242
285/7
2005/0115018 A1 * 6/2005 Jeon F16L 27/0849
15/414
2005/0125945 A1 * 6/2005 Park F16L 27/0849
15/414
2006/0156510 A1 * 7/2006 Park A47L 9/009
15/414
2008/0295282 A1 * 12/2008 Olsson F16L 11/15
15/415.1
2014/0261837 A1 * 9/2014 van der Meijden .. E04H 4/1645
138/109

* cited by examiner

FIG. 1

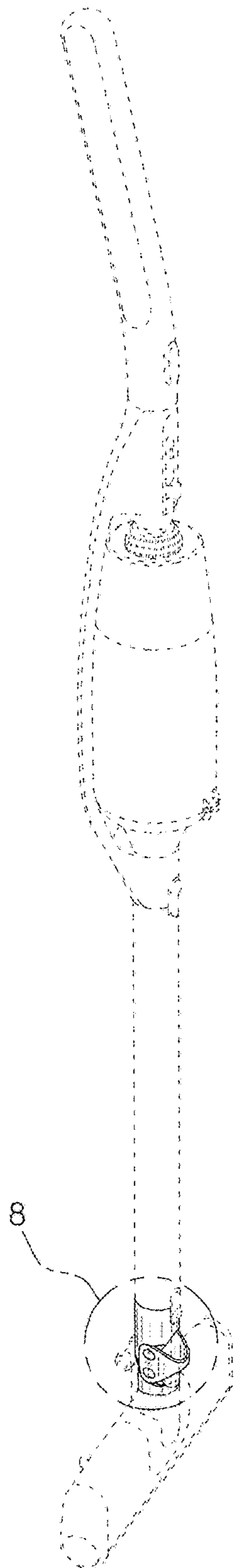


FIG. 2

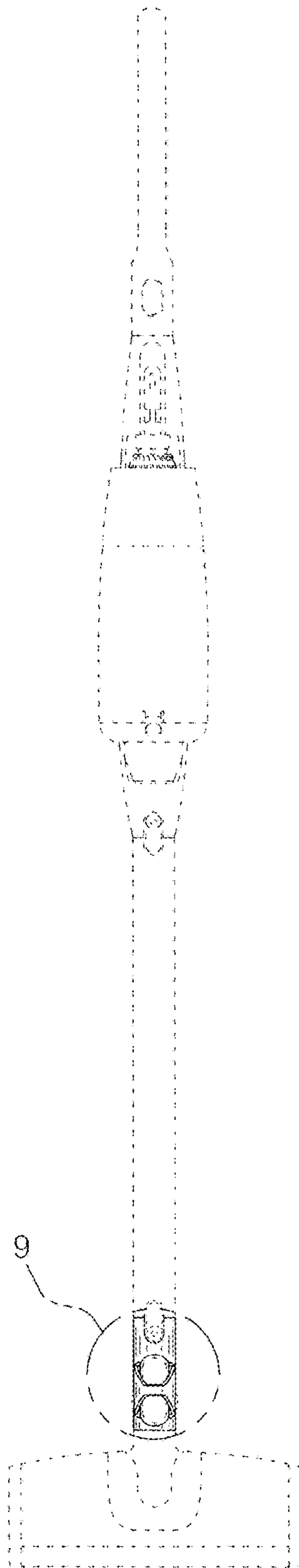


FIG. 3

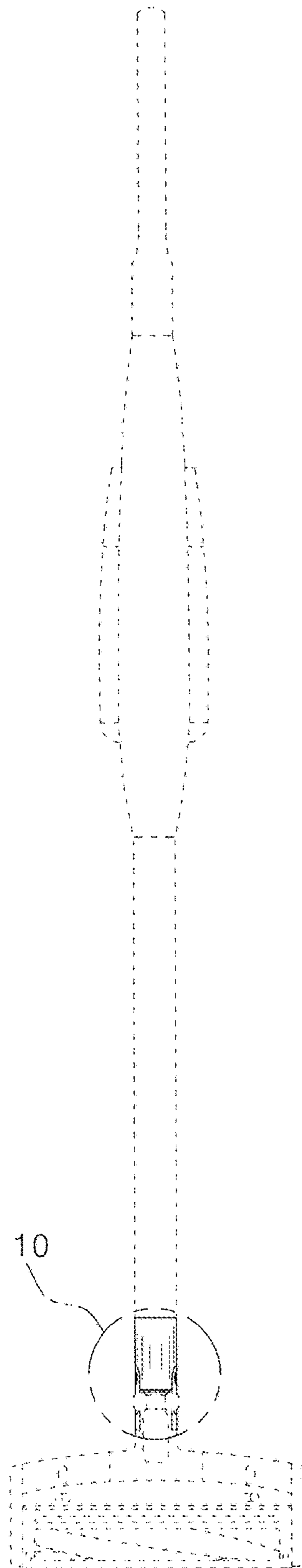


FIG. 4

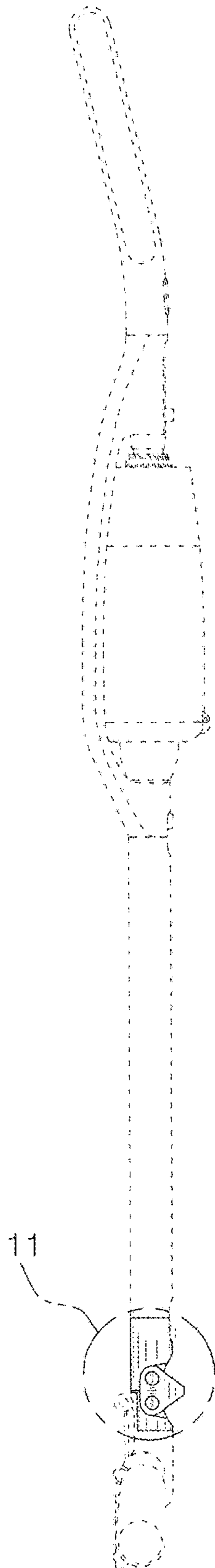


FIG. 5

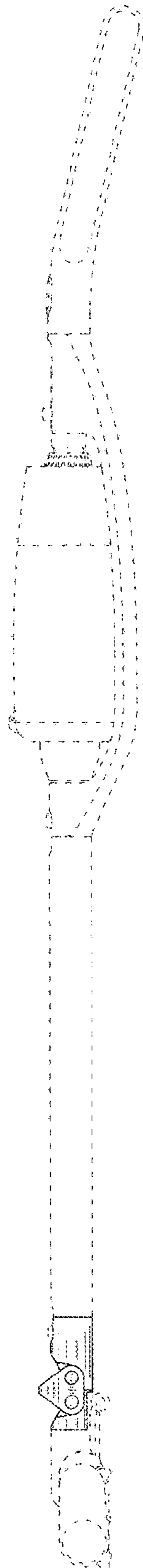


FIG. 6

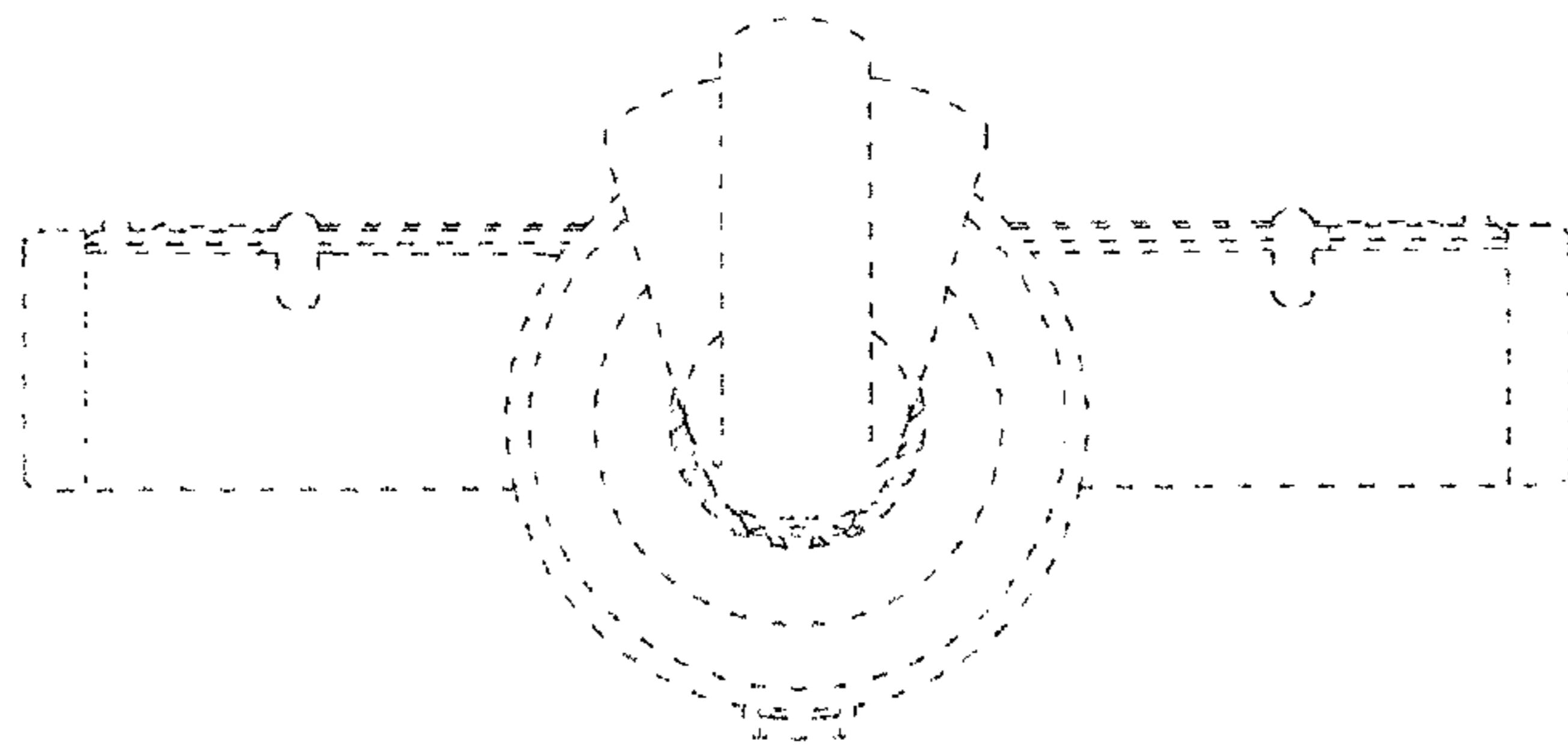


FIG. 7

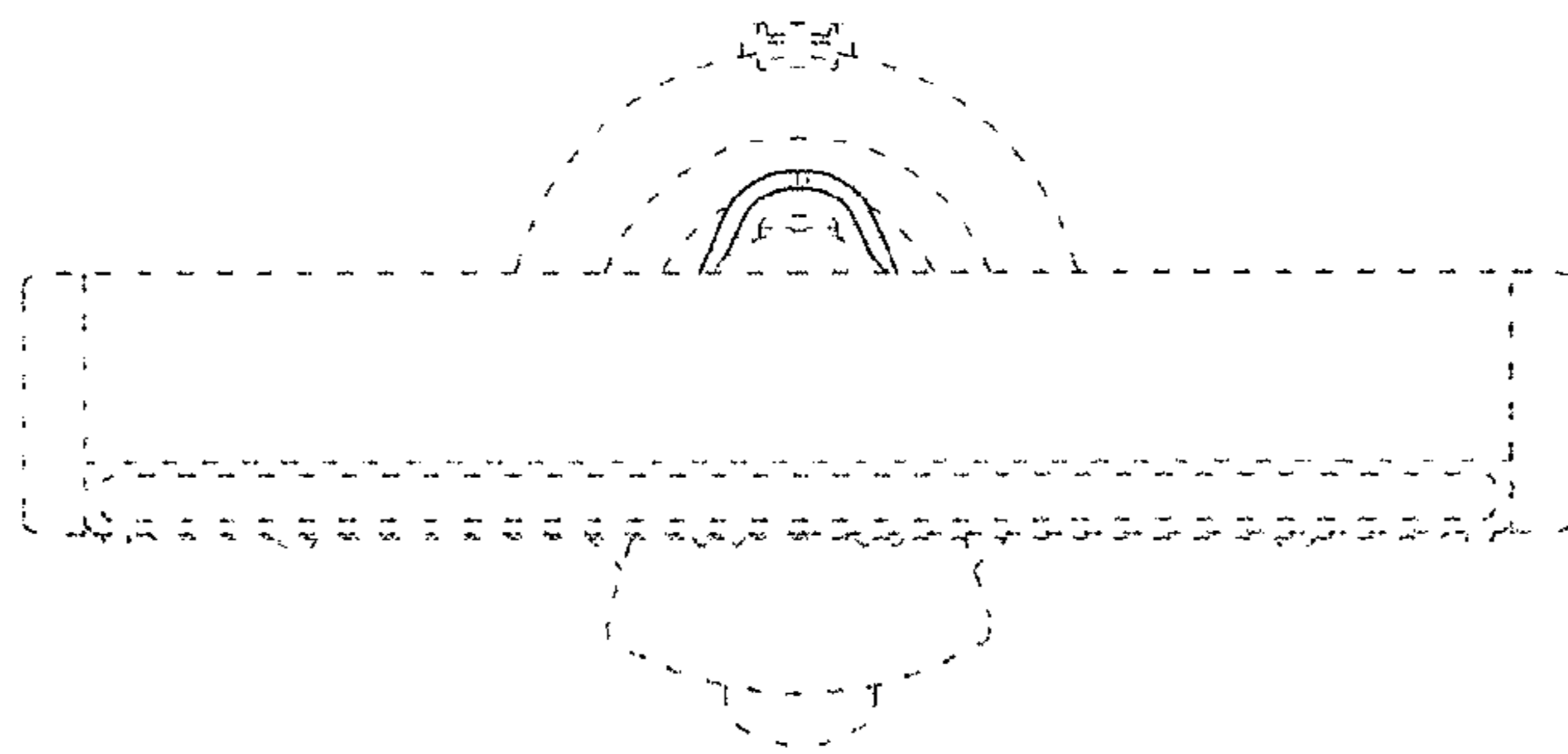


FIG. 8

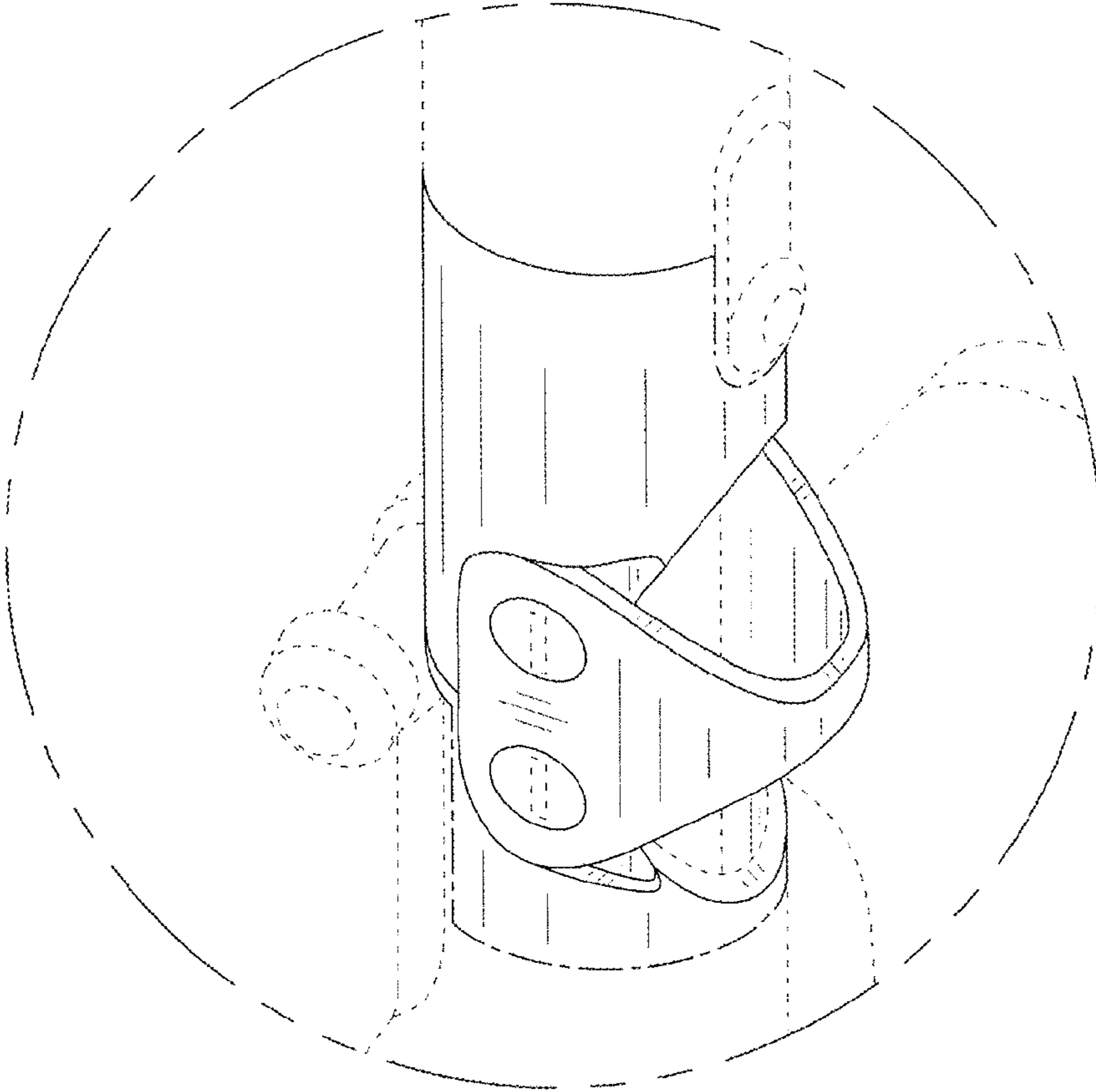


FIG. 9

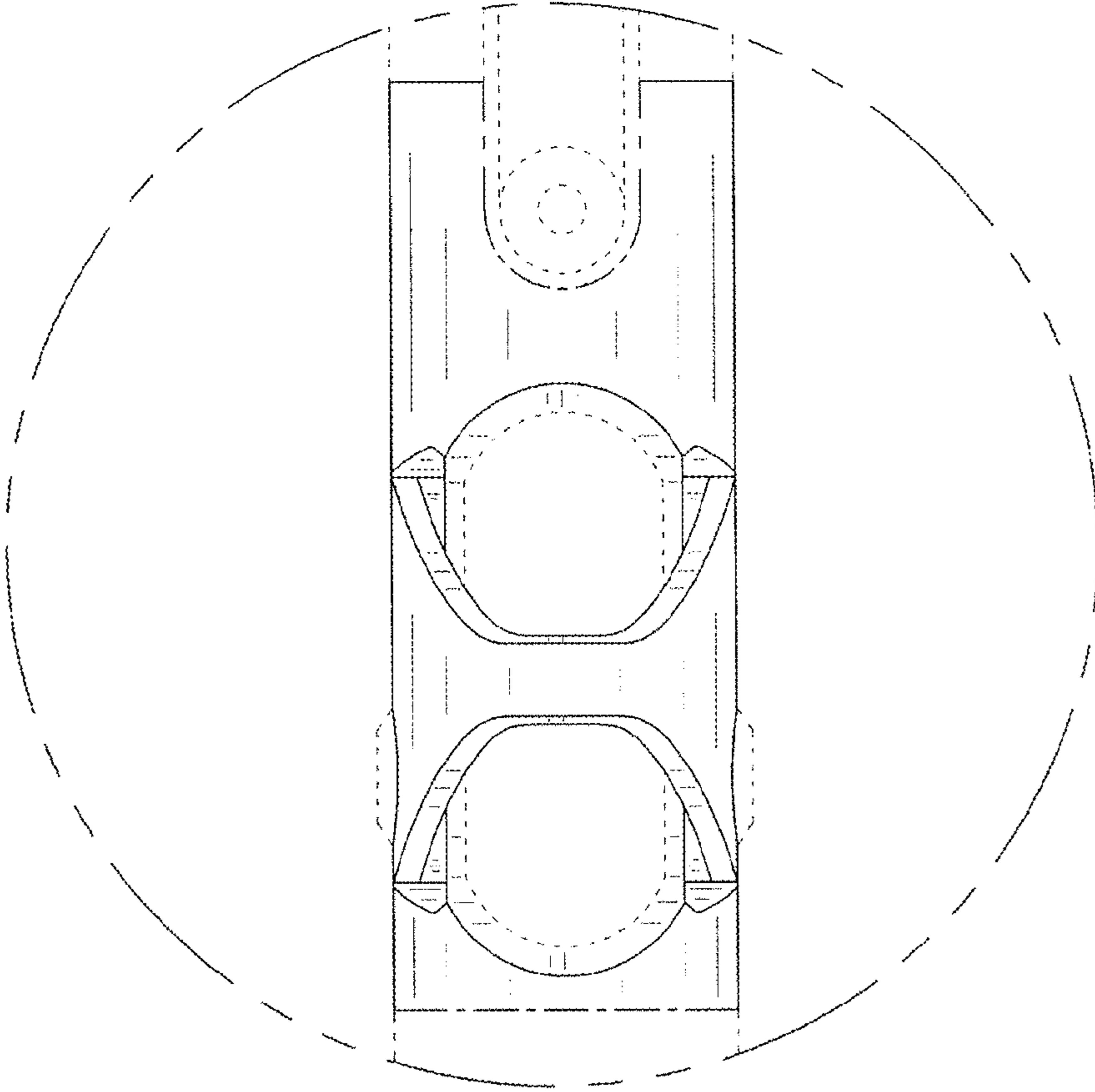


FIG. 10

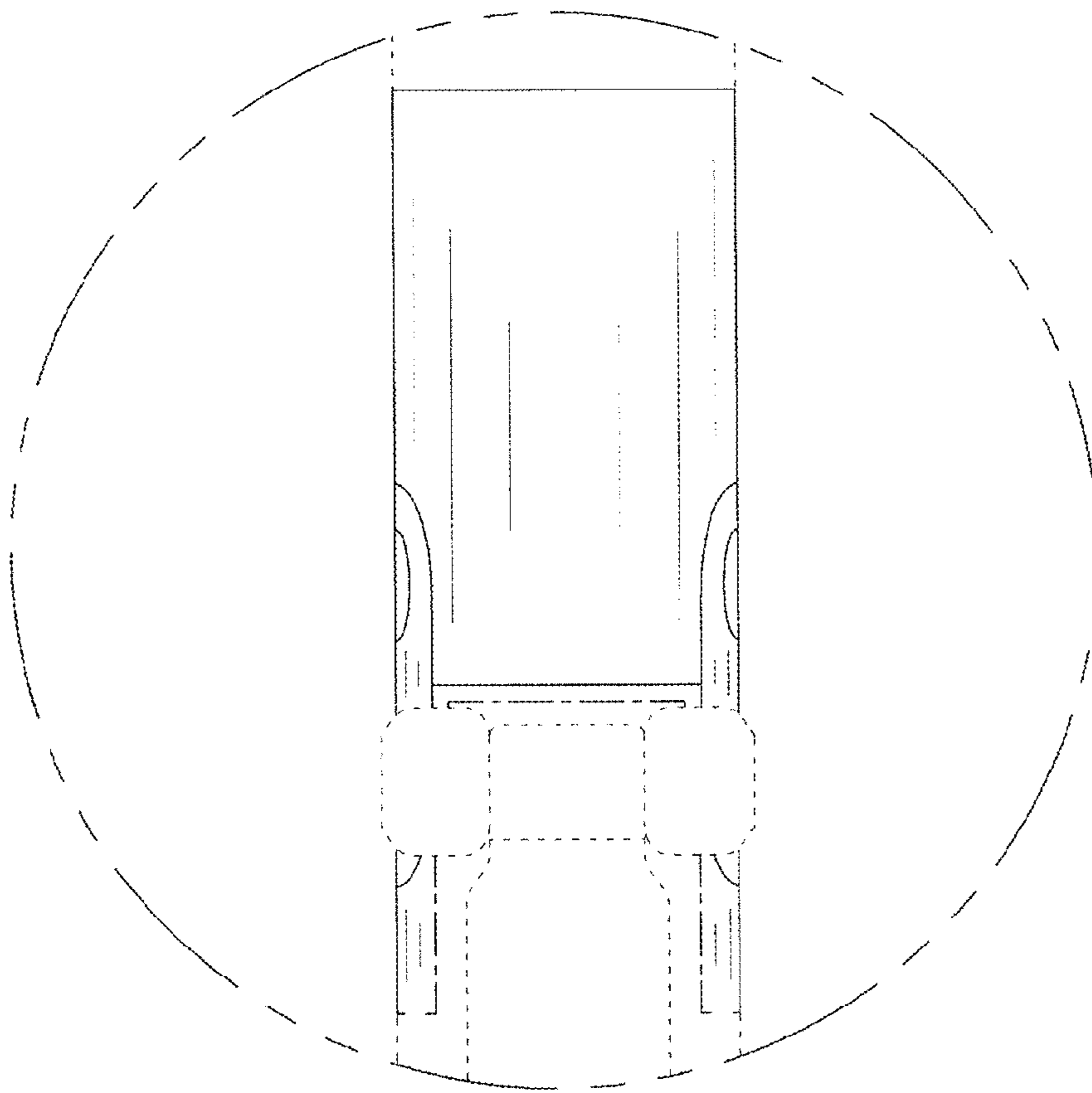


FIG. 11

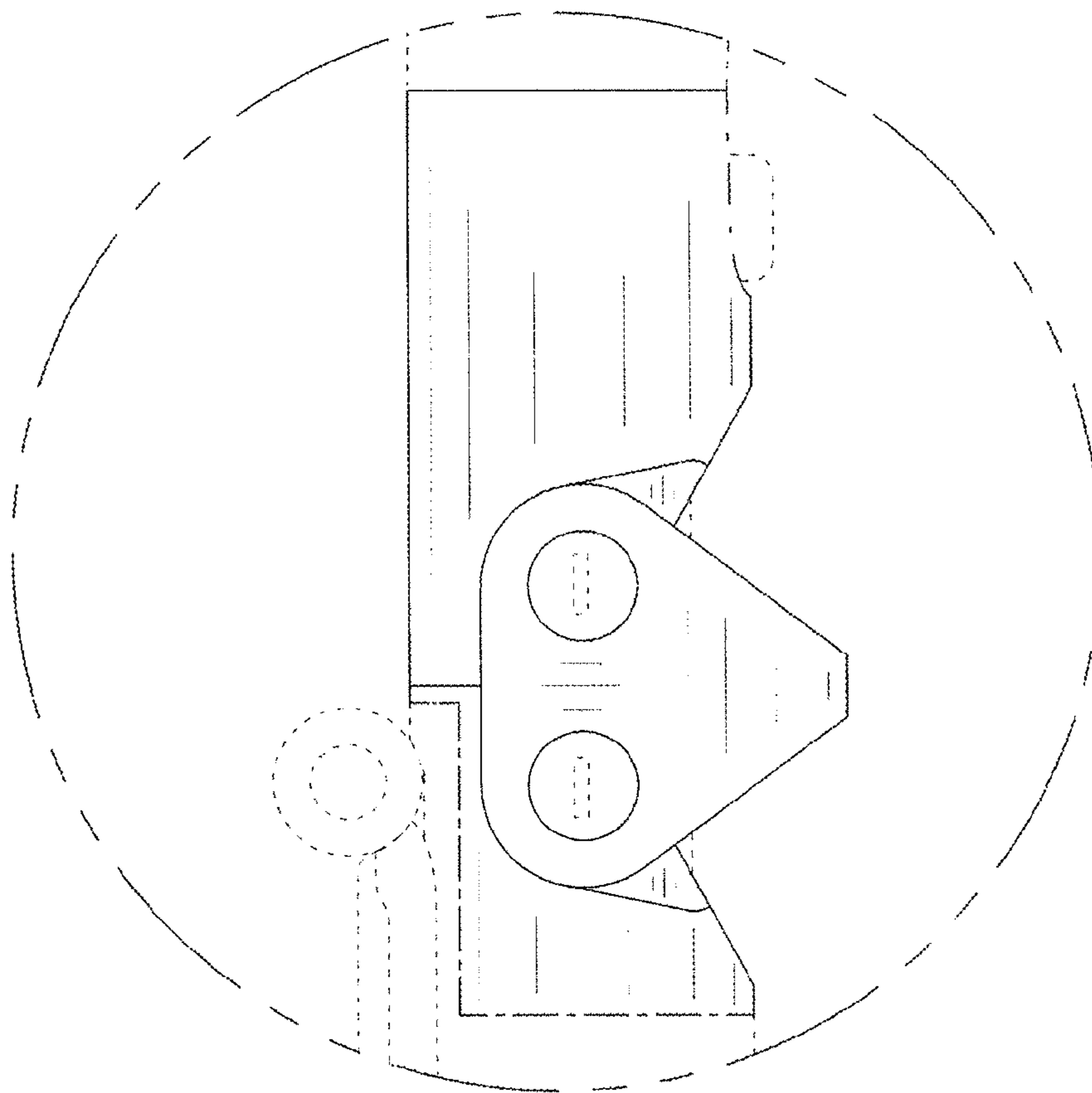


FIG. 12

