



US00D810366S

(12) **United States Design Patent**  
**Alonso Sanchez**

(10) **Patent No.: US D810,366 S**  
(45) **Date of Patent: \*\* Feb. 13, 2018**

(54) **DEVICE FOR REMOVING ANIMAL EXCREMENTS**

(71) Applicant: **M<sup>a</sup> Del Rosario Alonso Sanchez,**  
Madrid (ES)

(72) Inventor: **M<sup>a</sup> Del Rosario Alonso Sanchez,**  
Madrid (ES)

(73) Assignee: **M<sup>a</sup> Del Rosario Alonso Sanchez,**  
Madrid (ES)

(\*\*) Term: **15 Years**

(21) Appl. No.: **29/592,303**

(22) Filed: **Jan. 30, 2017**

(51) **LOC (11) Cl. .... 30-99**

(52) **U.S. Cl.**  
USPC ..... **D30/162; D30/161**

(58) **Field of Classification Search**  
USPC ..... D30/161, 162, 151, 144, 140, 137, 106,  
D30/199; 119/867, 868, 161, 163, 164,  
119/170, 717, 712; 294/1.3-1.5, 214;  
43/7-12; 15/257.1, 257.7; 206/496;  
383/33, 34, 34.1, 6, 12, 13, 68; 30/99;  
D32/74, 49; D8/14, 106, 107, 499  
CPC .... A01K 23/00; A01K 23/005; E01H 1/1206;  
E01H 1/1213; E01H 1/12; E01H  
2001/122; E01H 2001/1226; E01H  
2001/1233; E01H 2001/128; E01H  
2001/1286; E01H 2001/1293; E01H  
2001/1273; E01H 2001/126  
See application file for complete search history.

(56) **References Cited**

**U.S. PATENT DOCUMENTS**

1,373,839 A \* 4/1921 Shamblen ..... B65B 67/12  
248/101  
2,372,930 A \* 4/1945 Bovee ..... B25B 13/481  
294/65.5

D190,590 S \* 6/1961 Masse ..... D21/457  
3,001,324 A \* 9/1961 Walker ..... A63H 33/02  
446/450  
3,003,766 A \* 10/1961 Stanton ..... A63H 33/02  
273/108  
3,139,299 A \* 6/1964 Bowen ..... E01H 1/1206  
111/115  
3,146,015 A \* 8/1964 Roberge ..... B25J 1/04  
294/104  
3,228,693 A \* 1/1966 Ingebo ..... A63B 47/02  
273/129 R  
D211,194 S \* 5/1968 Whitmore ..... D21/457  
3,520,569 A \* 7/1970 Anderson ..... A63B 47/02  
294/19.2  
3,711,141 A \* 1/1973 Soergel ..... A47L 13/52  
15/257.8

(Continued)

*Primary Examiner* — Susan Moon Lee

(57) **CLAIM**

The ornamental design for a device for removing animal excrements, as shown.

**DESCRIPTION**

FIG. 1 is a front view in a closed position of a device for removing animal excrements showing my new design; FIG. 2 is rear view in a closed position thereof; FIG. 3 is a left side view in a closed position thereof; FIG. 4 is a right side view in a closed position thereof; FIG. 5 is a top view in a closed position thereof; FIG. 6 is a bottom view in a closed position thereof; FIG. 7 is a front view in an open position thereof; FIG. 8 is a rear view in an open position thereof; FIG. 9 is a left side view in an open position thereof; FIG. 10 is a right side view in an open position thereof; FIG. 11 is a top view in an open position thereof; and, FIG. 12 is a bottom view in an open position thereof.

**1 Claim, 4 Drawing Sheets**



(56)

References Cited

U.S. PATENT DOCUMENTS

3,733,099	A *	5/1973	Szita	B65B 67/1238 294/1.4	4,793,646	A *	12/1988	Michaud, Jr.	B63B 21/54 114/221 R
3,767,246	A *	10/1973	Corelli	A01K 23/005 294/1.5	4,799,917	A *	1/1989	Lentz	A63H 33/02 446/450
3,777,708	A *	12/1973	Vogt	A01K 23/005 294/1.5	4,852,924	A *	8/1989	Ines	A01K 23/005 294/1.5
3,786,780	A *	1/1974	Pezzino	A01K 23/005 119/161	4,897,069	A *	1/1990	Overturf	A63H 33/02 446/219
3,819,220	A *	6/1974	Bredt	A01K 23/005 294/1.5	4,899,050	A *	2/1990	Cianflone	H01H 17/08 200/331
3,823,365	A *	7/1974	Anderson	G01V 3/15 324/236	4,913,677	A *	4/1990	Brasier	A63H 33/02 446/453
3,872,831	A *	3/1975	Cassidy	A01K 23/005 248/101	D315,385	S *	3/1991	Middaugh	D21/457
3,872,834	A *	3/1975	Fuhrman	A01K 15/003 119/801	5,033,781	A *	7/1991	Flood	E01H 1/1206 15/257.6
3,881,277	A *	5/1975	Delph	A63H 33/02 446/450	D322,645	S *	12/1991	Danese	D21/722
3,984,139	A *	10/1976	Battaglia	E01H 1/1206 294/1.4	5,131,704	A *	7/1992	Li	A01K 23/005 294/1.4
4,003,595	A *	1/1977	Fano	A01K 23/005 294/1.5	D335,176	S *	4/1993	Jones	D24/128
4,010,970	A *	3/1977	Campbell	A01K 23/005 294/1.5	D335,179	S *	4/1993	Jones	D24/128
4,012,067	A *	3/1977	Travis	E01H 1/1206 294/1.4	D340,752	S *	10/1993	Flynn	D21/722
4,021,994	A *	5/1977	Mainprice	B65B 67/1238 248/101	5,269,575	A *	12/1993	Parvaresh	A01K 23/005 294/1.5
4,037,867	A *	7/1977	Fano	E01H 1/1206 15/257.5	5,335,952	A *	8/1994	Clapper	E01H 1/1206 294/1.4
4,042,269	A *	8/1977	Skermetta	A01K 23/005 15/257.3	5,342,513	A *	8/1994	Wall	E04H 4/1609 15/1.7
D246,006	S *	10/1977	Burr	D21/457	5,403,050	A *	4/1995	Searing	A01K 23/005 294/1.5
4,058,337	A *	11/1977	Isac	E01H 1/1206 294/1.4	5,423,584	A *	6/1995	Pasternak	A63B 47/02 294/19.2
4,103,953	A *	8/1978	Lachance	A01K 23/005 294/1.4	5,442,970	A *	8/1995	Hutchins	G01N 1/12 73/864.63
D249,815	S *	10/1978	Huelskamp	D21/722	D363,756	S *	10/1995	DiGrazia	D22/142
4,146,260	A *	3/1979	Carrington	A01K 23/005 294/1.5	D365,913	S *	1/1996	Ballard	D2/641
4,236,741	A *	12/1980	Emme	A01K 23/005 294/1.5	5,492,220	A *	2/1996	Estay	A61B 90/50 206/363
4,253,691	A *	3/1981	Liu	E01H 1/1206 294/1.4	D369,444	S *	4/1996	Ubdegrove	D30/162
4,262,948	A *	4/1981	Emme	A01K 23/005 294/1.5	5,540,470	A *	7/1996	Lu	E01H 1/1206 15/257.6
4,263,864	A *	4/1981	Carter, Jr.	A01K 77/00 114/221 R	D374,110	S *	9/1996	Hull	294/1.4
D261,403	S *	10/1981	Pataki	D21/457	5,634,678	A *	6/1997	Bailey	A01K 23/005 294/1.5
4,323,847	A *	4/1982	Karbowski	G01V 3/15 324/327	5,676,411	A *	10/1997	Kwok	A01K 23/005 294/1.5
4,349,224	A *	9/1982	Shiozaki	E01H 1/1206 294/1.4	5,683,129	A *	11/1997	Jensen	A01K 23/005 294/1.5
D267,593	S *	1/1983	Crawford	294/1.4	5,702,138	A *	12/1997	Elkind	E01H 1/1206 15/257.4
4,368,907	A *	1/1983	Ross	E01H 1/1206 294/1.4	D395,808	S *	7/1998	Loucks	D8/105
4,516,704	A *	5/1985	Hagman	A47G 25/905 223/111	D396,079	S *	7/1998	Coon	D21/722
4,555,132	A *	11/1985	Takoushian	A01K 23/005 294/1.5	5,778,826	A *	7/1998	Dillon	A01K 29/00 119/717
D283,262	S *	4/1986	Kline	294/1.4	5,971,452	A *	10/1999	Marymor	A01K 23/005 294/1.5
4,659,125	A *	4/1987	Chuan	A63B 47/02 16/429	D417,320	S *	11/1999	Nunez	D30/162
4,686,734	A *	8/1987	Alexander	A47L 13/52 15/257.1	6,052,860	A *	4/2000	Coxsey	A47L 13/52 141/316
D292,819	S *	11/1987	Whatley	D21/457	D424,640	S *	5/2000	Oblack	D21/722
4,705,310	A *	11/1987	Scripter	E01H 1/1206 15/257.7	6,062,618	A *	5/2000	Figuroa	E01H 1/1206 294/1.4
4,741,566	A *	5/1988	Byung-Do	A01K 23/005 15/104.8	6,068,311	A *	5/2000	Jones	E01H 1/1206 294/1.4
D299,075	S *	12/1988	Scott	294/1.4	D434,283	S *	11/2000	Dewey	D23/214
					6,149,214	A *	11/2000	Kipka	A01K 23/005 294/1.5
					6,164,710	A *	12/2000	Shibuya	A01K 23/005 15/257.3
					6,170,692	B1 *	1/2001	Johnston	B65F 1/12 220/23.83
					D456,898	S *	5/2002	Yang	D24/122
					6,386,606	B1 *	5/2002	Marshall	A01K 23/005 15/257.4
					6,517,034	B1 *	2/2003	Kinchen	B65B 67/1238 248/100

# US D810,366 S

(56)

## References Cited

### U.S. PATENT DOCUMENTS

6,637,791	B1 *	10/2003	Steadman	.....	E01H 1/1206 15/257.6	2002/0096895	A1 *	7/2002	McCarthy	.....	A01K 23/005 294/1.5
6,942,264	B1 *	9/2005	Mendez	.....	A01K 23/005 294/1.5	2002/0140240	A1 *	10/2002	Charette	.....	A01K 23/005 294/1.5
7,108,304	B2 *	9/2006	White	.....	A47J 37/0786 294/10	2003/0085581	A1 *	5/2003	Jemison	.....	E01H 1/1206 294/1.4
7,128,352	B1 *	10/2006	Phippen	.....	A01K 23/005 119/161	2003/0200631	A1 *	10/2003	Clarke	.....	A47L 13/20 16/430
7,188,878	B1 *	3/2007	Kraus	.....	E01H 1/1206 248/101	2004/0201232	A1 *	10/2004	Borman	.....	A01K 23/005 294/1.5
7,198,310	B1 *	4/2007	Lau	.....	A01K 23/005 294/1.5	2005/0071943	A1 *	4/2005	Liu	.....	A47L 13/52 15/257.2
D547,017	S *	7/2007	Van Ledingham, Jr.	....	D32/51	2006/0001281	A1 *	1/2006	Hubert	.....	A01K 23/005 294/1.5
7,244,201	B2 *	7/2007	Hale	.....	A63B 67/002 273/129 R	2006/0145492	A1 *	7/2006	Kaas	.....	A01K 23/005 294/1.5
D551,862	S *	10/2007	Gerry	.....	D3/300	2006/0157995	A1 *	7/2006	Cafferty	.....	A01K 23/005 294/1.5
7,325,849	B2 *	2/2008	Jones	.....	E01H 1/1206 294/1.4	2006/0232083	A1 *	10/2006	Kamenkovich	.....	A01K 23/005 294/1.5
D564,518	S *	3/2008	Vandaele	.....	D14/230	2007/0029828	A1 *	2/2007	Pilas	.....	A01K 23/005 294/1.5
7,337,577	B1 *	3/2008	Ramirez	.....	A01K 97/125 362/120	2007/0176444	A1 *	8/2007	Pilas	.....	A01K 23/005 294/1.5
7,407,207	B2 *	8/2008	Yilmaz	.....	A01K 23/005 294/1.4	2008/0098959	A1 *	5/2008	Iarrusso	.....	A01K 23/005 119/161
D587,412	S *	2/2009	Oka	.....	D30/162	2008/0116704	A1 *	5/2008	Botello	.....	A01K 23/005 294/1.5
7,484,859	B1 *	2/2009	Burke	.....	A47L 13/52 15/257.1	2008/0140032	A1 *	6/2008	O'Malley	.....	A61B 10/007 604/322
D616,618	S *	5/2010	Pearcey	.....	D30/162	2009/0045639	A1 *	2/2009	Shalhoub	.....	A01K 23/005 294/1.5
7,753,053	B2 *	7/2010	Dillon	.....	A01K 15/003 119/717	2009/0072559	A1 *	3/2009	Wilkerson	.....	E01H 1/1206 294/1.4
7,762,596	B1 *	7/2010	Gaydos	.....	A01K 23/005 119/161	2009/0096227	A1 *	4/2009	Pender	.....	A01K 23/005 294/1.5
7,780,209	B1 *	8/2010	Morrissey	.....	A01K 23/005 294/1.5	2009/0102211	A1 *	4/2009	Antar	.....	A01K 23/005 294/1.3
D625,888	S *	10/2010	Nelson	.....	D30/162	2009/0102212	A1 *	4/2009	Casper	.....	A01K 23/005 294/1.4
7,870,835	B2 *	1/2011	Amerena	.....	A01K 1/0114 119/161	2009/0152884	A1 *	6/2009	Ruscil	.....	B65G 7/12 294/1.5
7,950,707	B1 *	5/2011	LaPolla	.....	A01K 23/005 294/1.5	2010/0072765	A1 *	3/2010	Granado	.....	A01K 23/005 294/1.4
7,954,868	B1 *	6/2011	Van Pelt	.....	A01K 23/005 294/1.5	2010/0174209	A1 *	7/2010	Fleshman	.....	A61B 10/007 600/573
D645,216	S *	9/2011	Silas	.....	D30/162	2011/0057463	A1 *	3/2011	Chen	.....	A01K 23/005 294/1.4
8,038,190	B2 *	10/2011	Zidulka	.....	A01K 23/005 294/1.4	2011/0184359	A1 *	7/2011	Dougherty	.....	A01K 23/005 604/317
8,091,848	B1 *	1/2012	Reed	.....	A61B 10/007 220/737	2012/0049548	A1 *	3/2012	Williams	.....	A01K 23/005 294/1.5
8,123,266	B1 *	2/2012	Jone	.....	A01K 23/005 294/1.4	2013/0009412	A1 *	1/2013	Powell	.....	A01K 23/005 294/1.5
8,146,967	B1 *	4/2012	Brown	.....	A01K 23/005 294/1.5	2013/0249224	A1 *	9/2013	Ng	.....	E01H 1/1206 294/1.4
D662,268	S *	6/2012	Pearcey	.....	D30/162	2015/0164048	A1 *	6/2015	Spandau	.....	A01K 23/005 294/1.5
D663,906	S *	7/2012	Pallant	.....	D30/162	2015/0216143	A1 *	8/2015	Christlieb	.....	A01K 23/005 294/1.5
D687,271	S *	8/2013	McDougal	.....	D13/173	2015/0234079	A1 *	8/2015	Loubet	.....	G01V 3/17 324/329
8,550,516	B2 *	10/2013	Best	.....	A01B 1/02 294/49	2015/0253448	A1 *	9/2015	Cheng	.....	G01V 3/08 324/329
8,684,429	B1 *	4/2014	Holub	.....	E01H 1/1206 294/1.4	2015/0297194	A1 *	10/2015	Meloff	.....	A61B 10/007 600/573
D706,884	S *	6/2014	Saber	.....	D21/722	2016/0050885	A1 *	2/2016	Brasuel	.....	A01K 23/005 294/1.5
D716,014	S *	10/2014	Gnanendran	.....	D34/5	2016/0091629	A1 *	3/2016	Deng	.....	G01V 3/38 324/329
9,041,401	B2 *	5/2015	Andel	.....	B25G 1/04 324/326						
9,072,280	B1 *	7/2015	Ramoutar	.....	A01K 23/005						
D745,145	S *	12/2015	Bivens	.....	D24/128						
D751,701	S *	3/2016	Sharpe	.....	D24/128						
9,370,861	B1 *	6/2016	Deprizio	.....	F24B 15/002						
D763,520	S *	8/2016	Runyan	.....	D30/162						
9,440,485	B2 *	9/2016	Krusoe	.....	B44D 3/12						
9,456,585	B1 *	10/2016	Kao	.....	A01K 23/005						
D773,657	S *	12/2016	Meloff	.....	D24/128						
9,538,727	B2 *	1/2017	Coba	.....	A01K 23/005						
9,650,750	B1 *	5/2017	Freda	.....	A01K 23/005						
9,668,457	B1 *	6/2017	Irons	.....	A01K 23/005						
D791,417	S *	7/2017	Le	.....	D30/161						
D795,510	S *	8/2017	Griffin	.....	D30/161						

(56)

**References Cited**

U.S. PATENT DOCUMENTS

2016/0165847 A1\* 6/2016 Huang ..... A01K 23/005  
294/1.5

\* cited by examiner

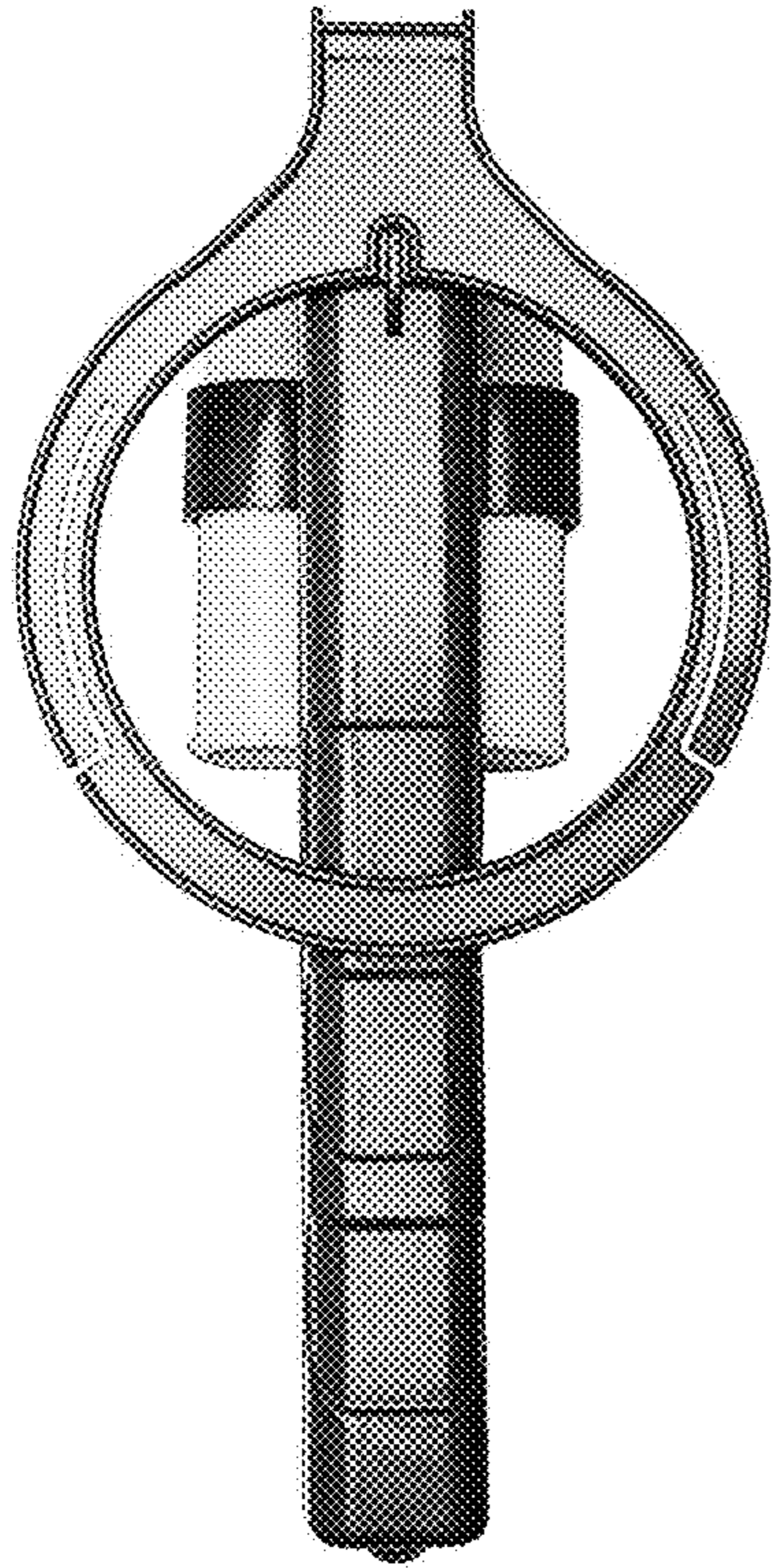


FIG. 1

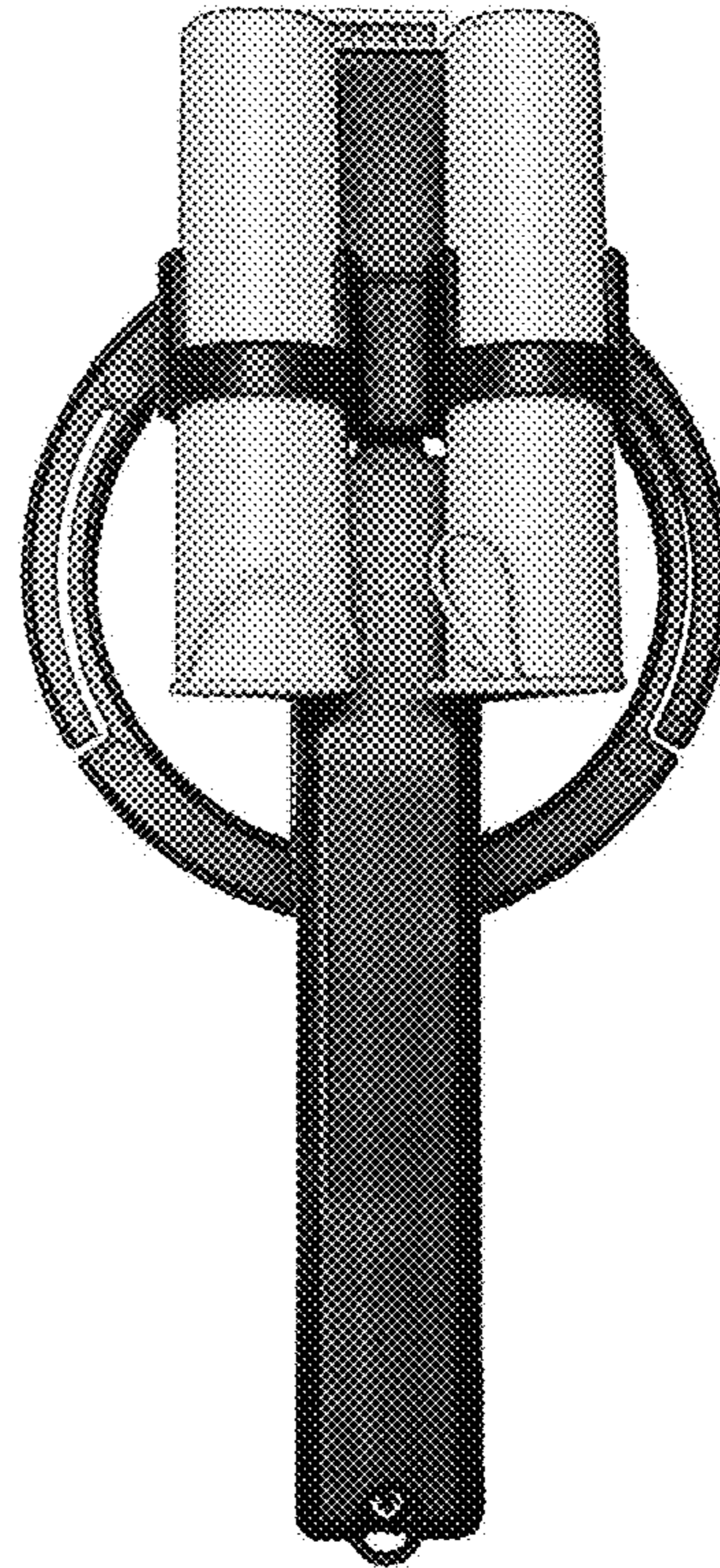


FIG. 2

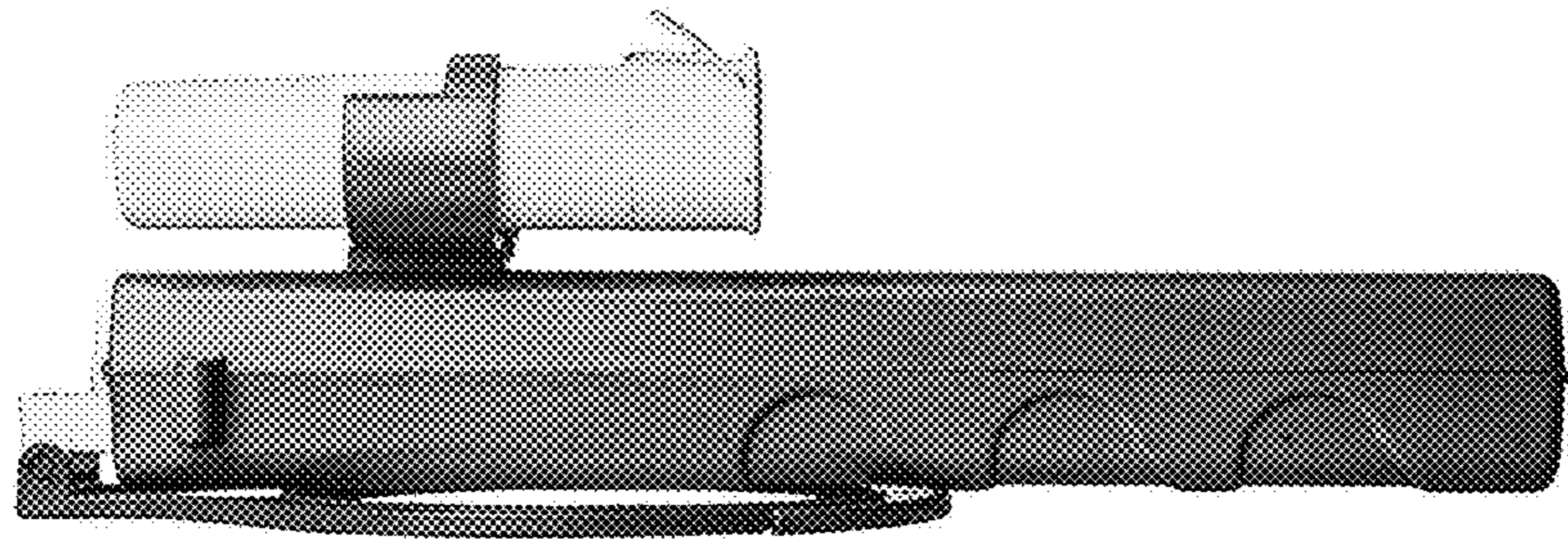


FIG. 3

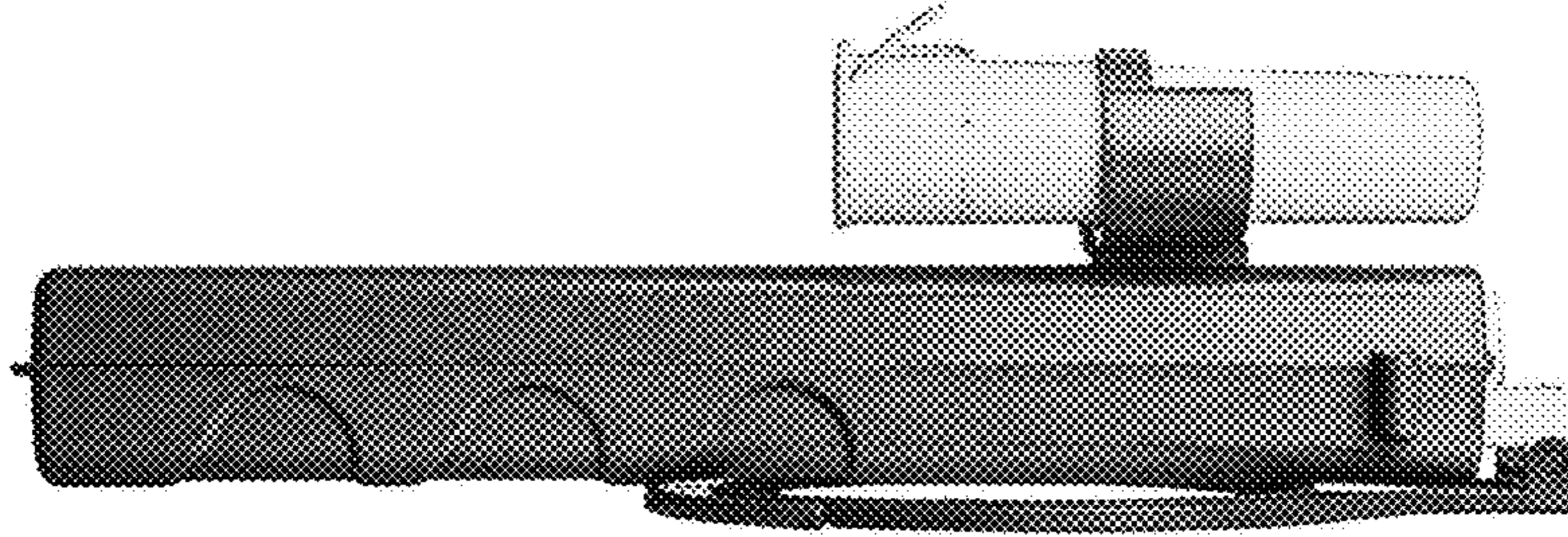


FIG. 4

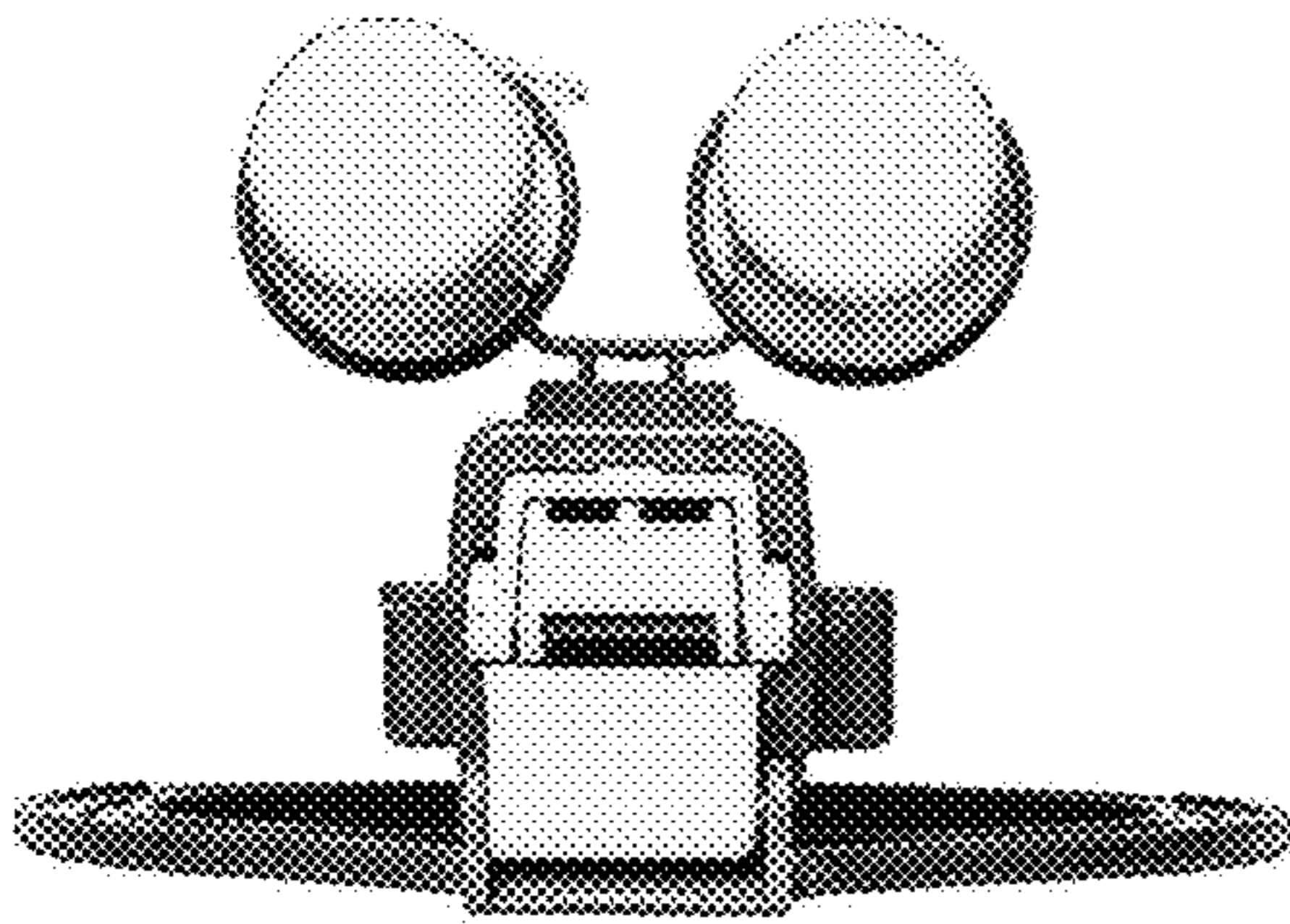


FIG. 5

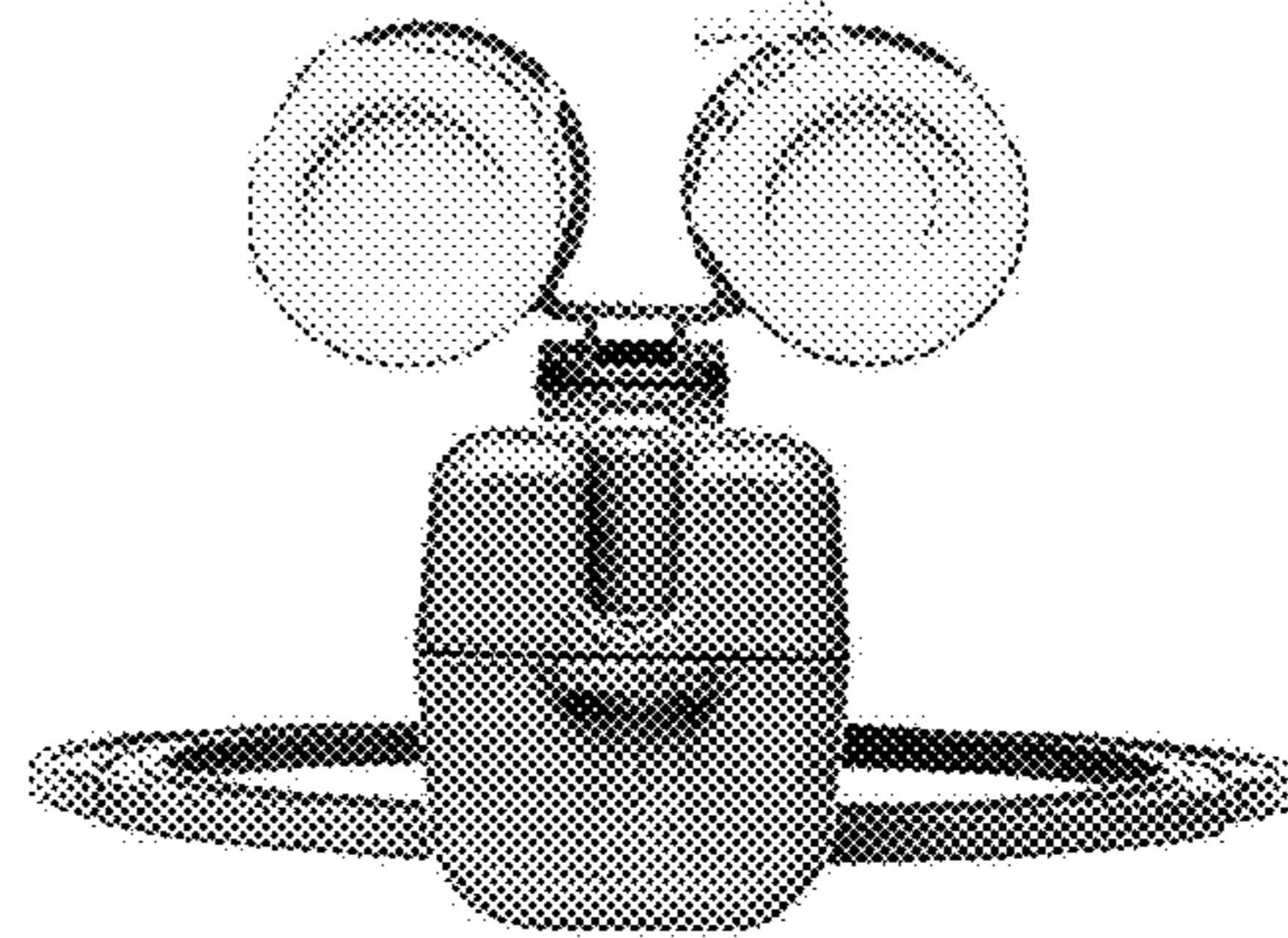


FIG. 6

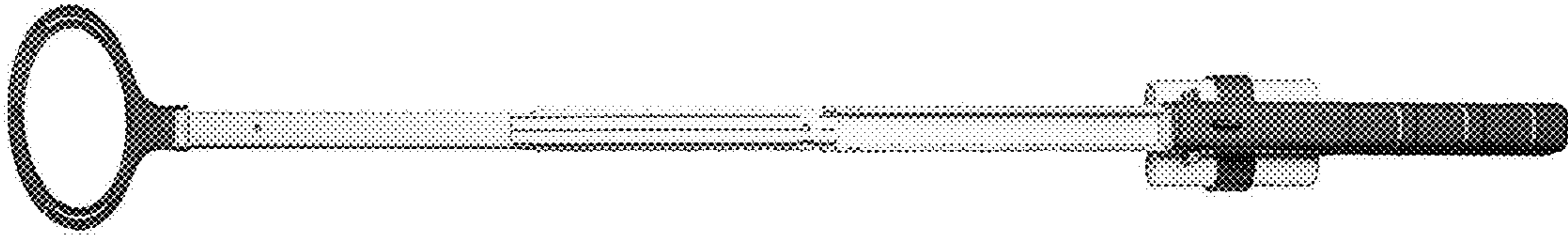


FIG. 7

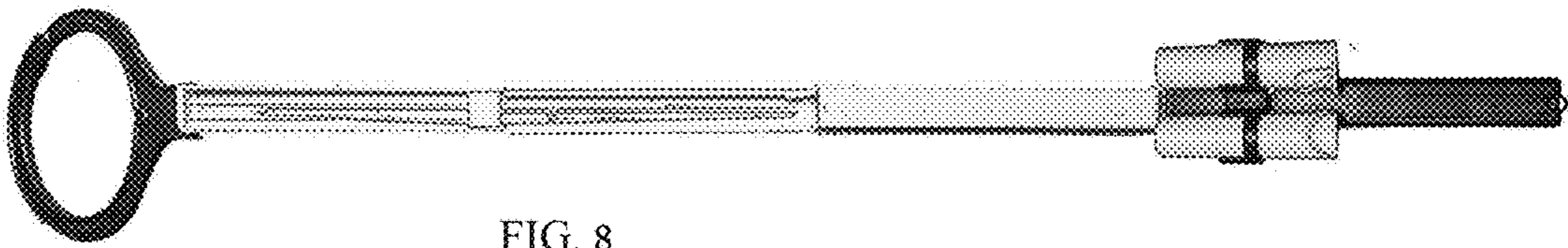


FIG. 8

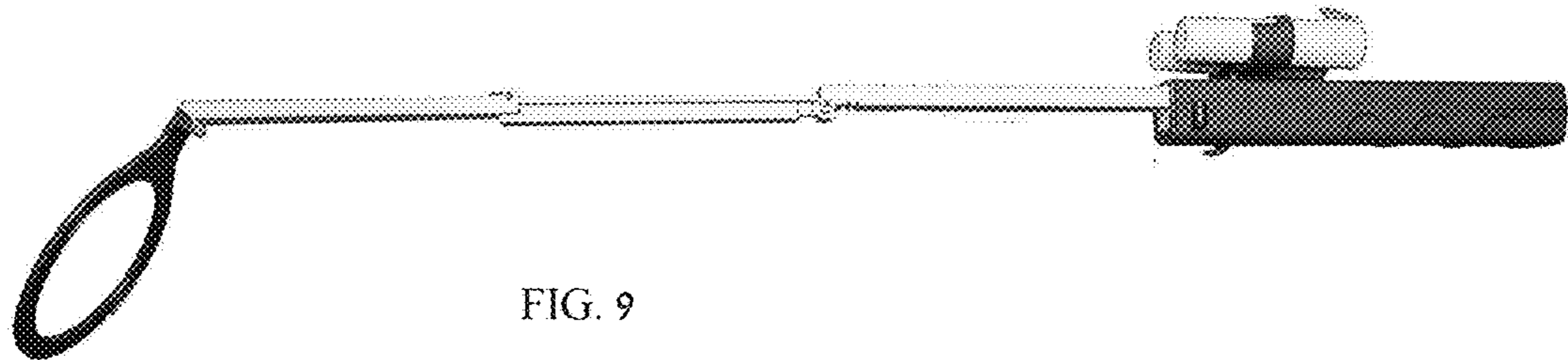


FIG. 9

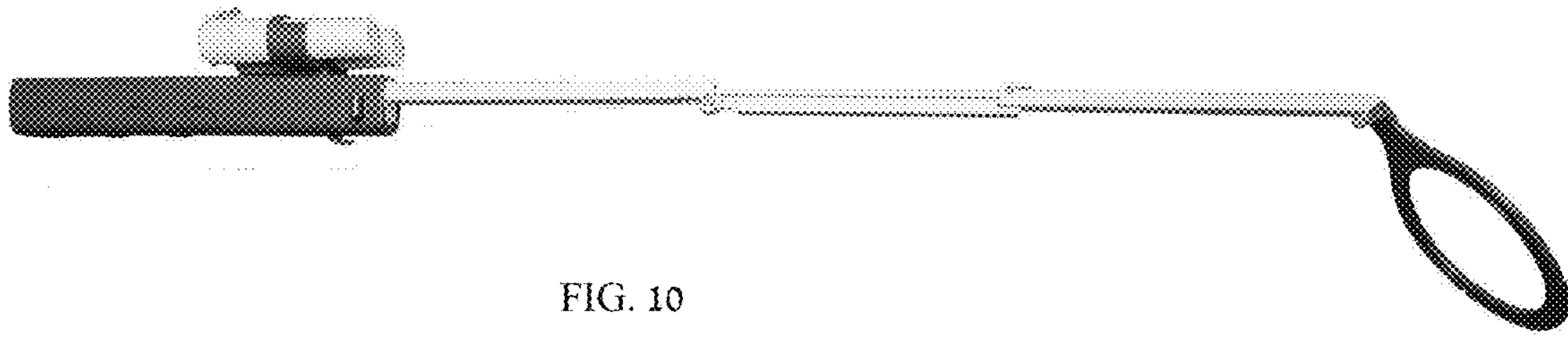


FIG. 10

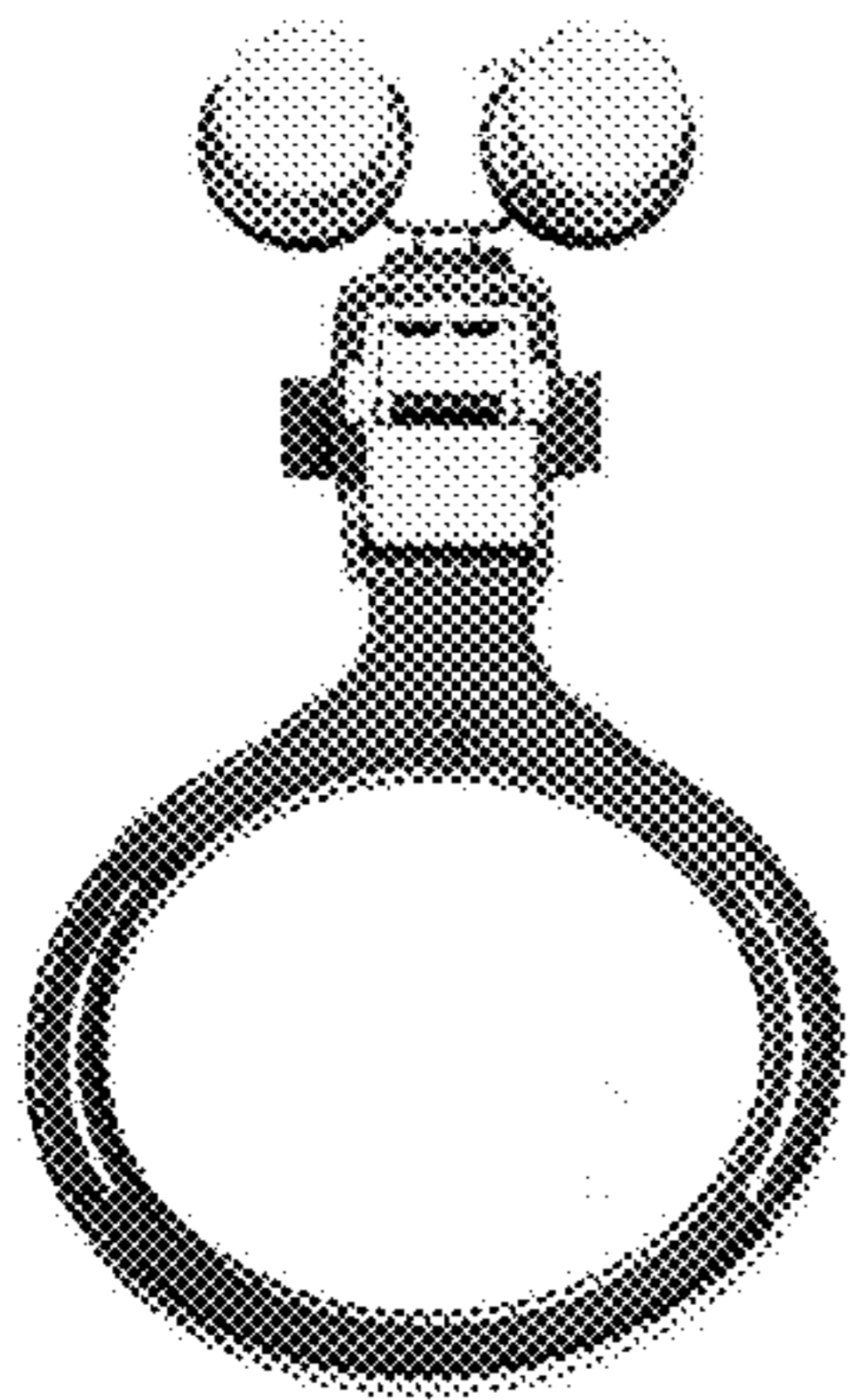


FIG. 11

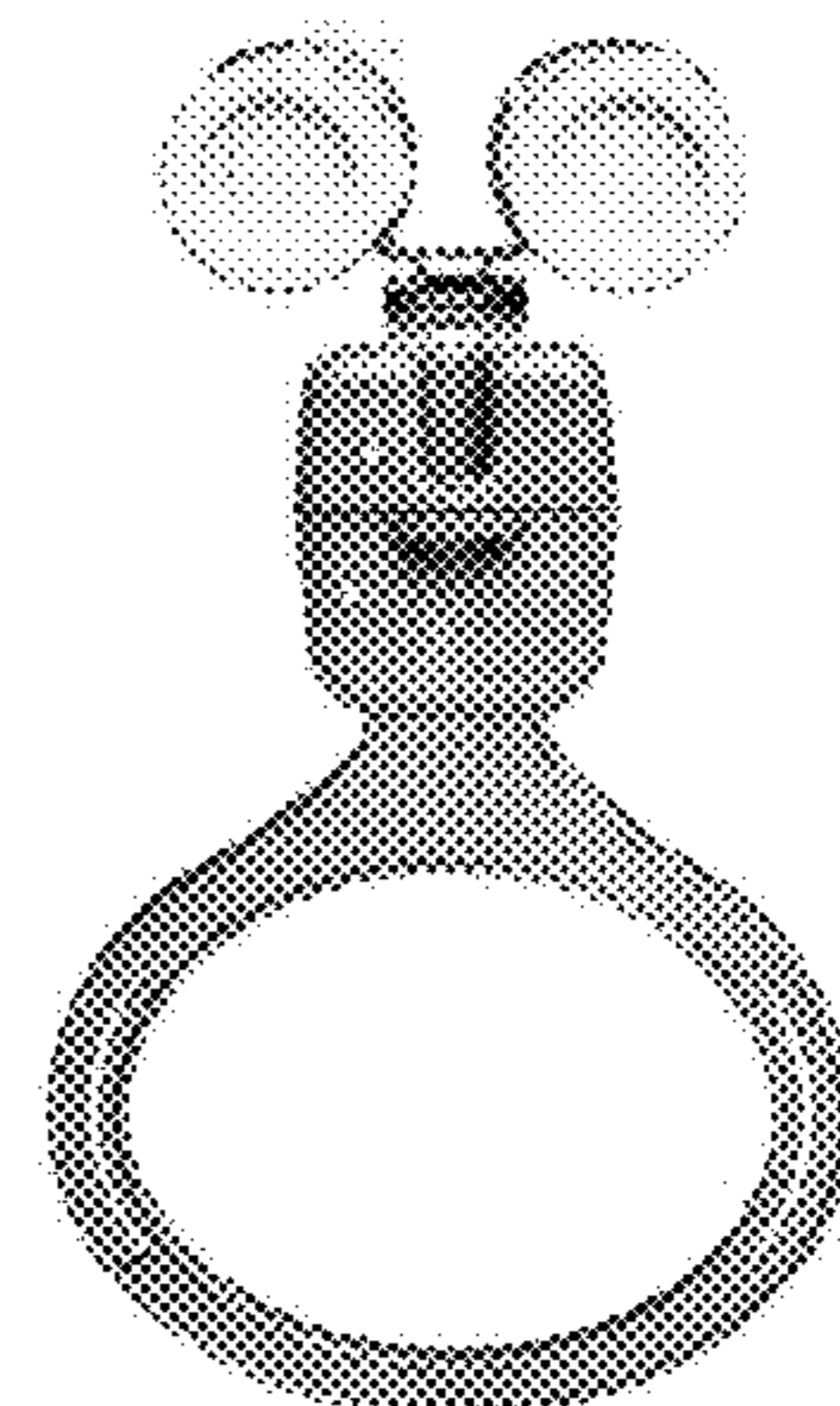


FIG. 12