



US00D810362S

(12) **United States Design Patent** (10) **Patent No.:** **US D810,362 S**
Hovan et al. (45) **Date of Patent:** **** *Feb. 13, 2018**

(54) **HELMET RETENTION SYSTEM** 4,398,306 A 8/1983 Gooding
4,612,672 A * 9/1986 Schrack A42B 1/12
2/411
(71) Applicant: **Gentex Corporation**, Simpson, PA (US) 4,646,368 A 3/1987 Infusino et al.
4,703,879 A 11/1987 Kastendieck et al.
(72) Inventors: **John A. Hovan**, Forest City, PA (US); 4,710,985 A * 12/1987 Dubner A63B 71/10
Joseph Slivinski, Peckville, PA (US); 2/425
Jillian Haldaman, Bath, PA (US) 4,741,054 A 5/1988 Mattes
4,753,378 A 6/1988 Kastendieck et al.
4,793,032 A 12/1988 Crowle
(73) Assignee: **GENTEX CORPORATION**, Simpson, PA (US) 4,856,119 A 8/1989 Haberle et al.
4,897,888 A 2/1990 Broersma et al.
5,007,141 A 4/1991 Gentes
5,077,839 A 1/1992 Keller
(*) Notice: This patent is subject to a terminal disclaimer.
(**) Term: **14 Years** (Continued)

Primary Examiner — Randall Gholson
(74) *Attorney, Agent, or Firm* — Morgan, Lewis & Bockius LLP

(21) Appl. No.: **29/521,510**
(22) Filed: **Mar. 24, 2015**
(51) **LOC (11) Cl.** **29-02**
(52) **U.S. Cl.**
USPC **D29/122**
(58) **Field of Classification Search**
USPC D29/100, 102, 105, 106, 108, 112, 122;
2/455, 410, 423, 424, 425, 9, 171, 206,
2/208, 209, 918; D14/205, 223;
181/129, 135; 379/430, 431; 381/380,
381/381, 374
CPC A42B 3/16; A42B 3/163; A42B 3/166;
A61F 11/06; A61F 11/08; A61F
2011/085; A61F 11/10; A61F 11/12;
A61F 11/14; A61F 2011/145; A63B
71/10; H04R 1/10; H04R 1/1008; H04R
1/1016; H04R 1/105; H04R 5/033; H04R
5/0335
See application file for complete search history.

(57) **CLAIM**

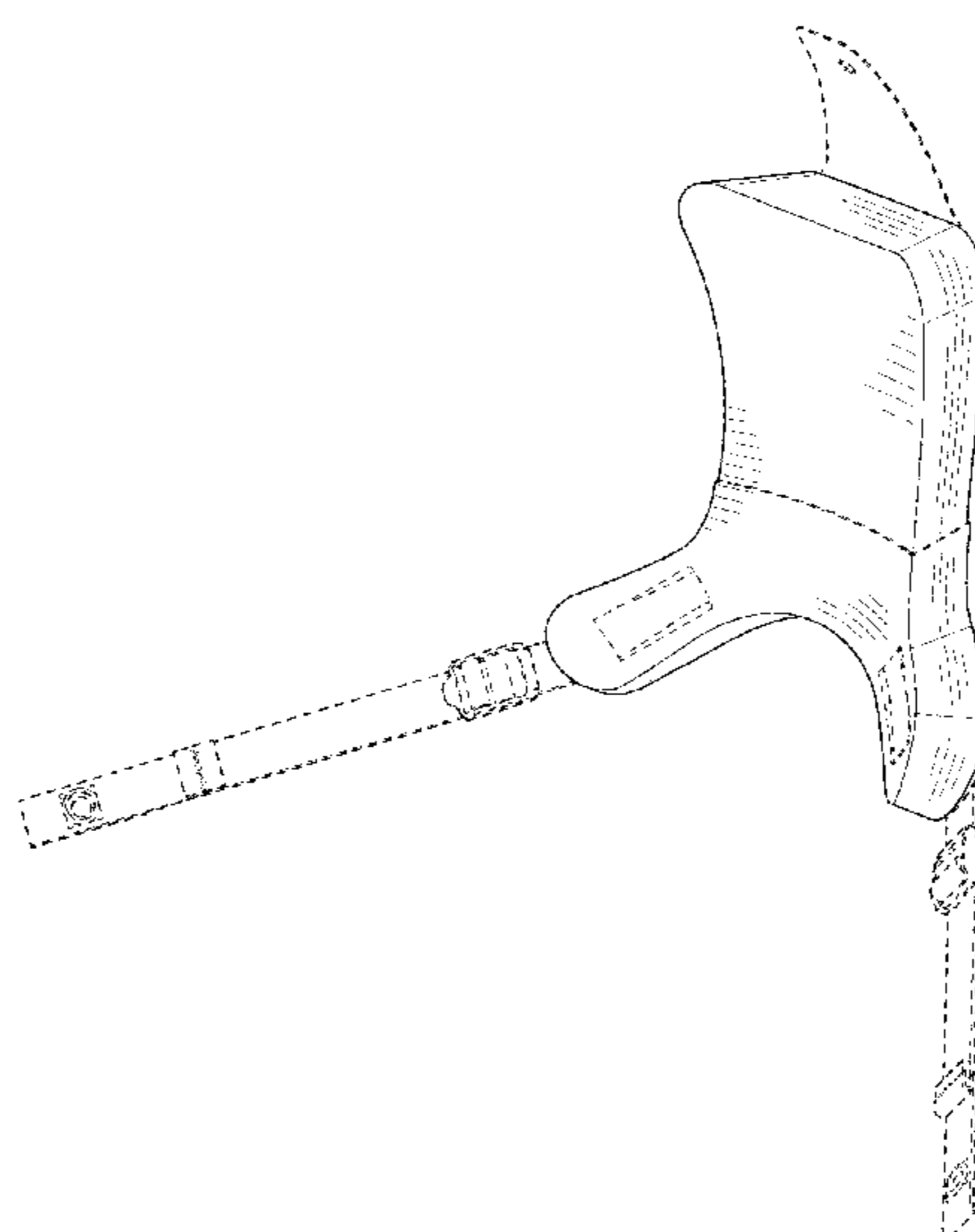
The ornamental design for a helmet retention system, as shown and described.

DESCRIPTION

FIG. 1 is a front perspective view of a nape for a helmet retention system in accordance with our new design;
FIG. 2 is a front elevational view of the nape shown in FIG. 1;
FIG. 3 is a rear elevational view of the nape shown in FIG. 1;
FIG. 4 is a right-side elevational view of the nape shown in FIG. 1;
FIG. 5 is a left-side elevational view of the nape shown in FIG. 1;
FIG. 6 is a top plan view of the nape shown in FIG. 1; and,
FIG. 7 is a bottom plan view of the nape shown in FIG. 1.
The broken lines shown in the drawings represent portions of the helmet retention system that form no part of the claimed design.

(56) **References Cited**
U.S. PATENT DOCUMENTS
4,044,400 A 8/1977 Lewicki et al.
4,335,472 A 6/1982 Rappleyea

1 Claim, 10 Drawing Sheets



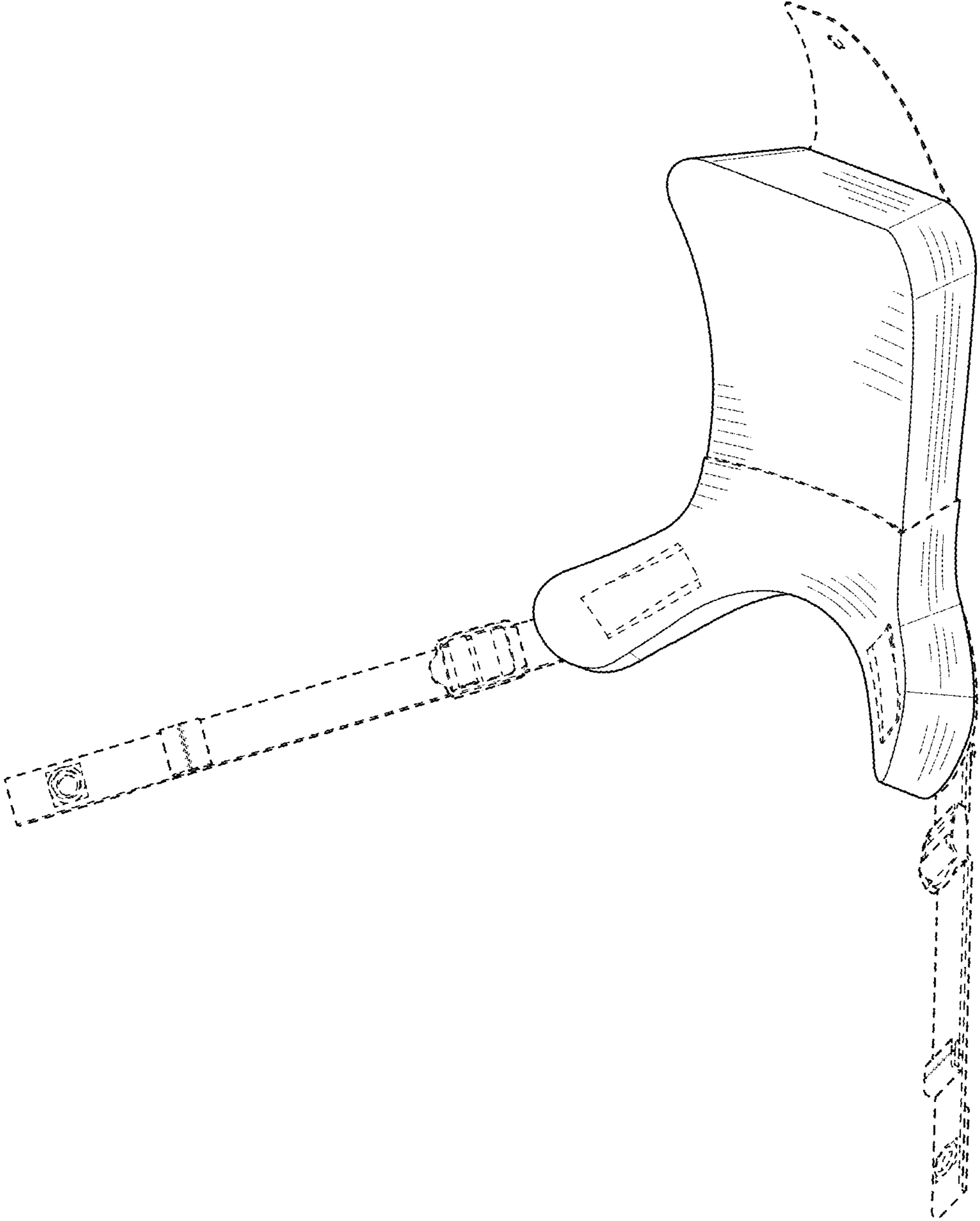


FIG. 1

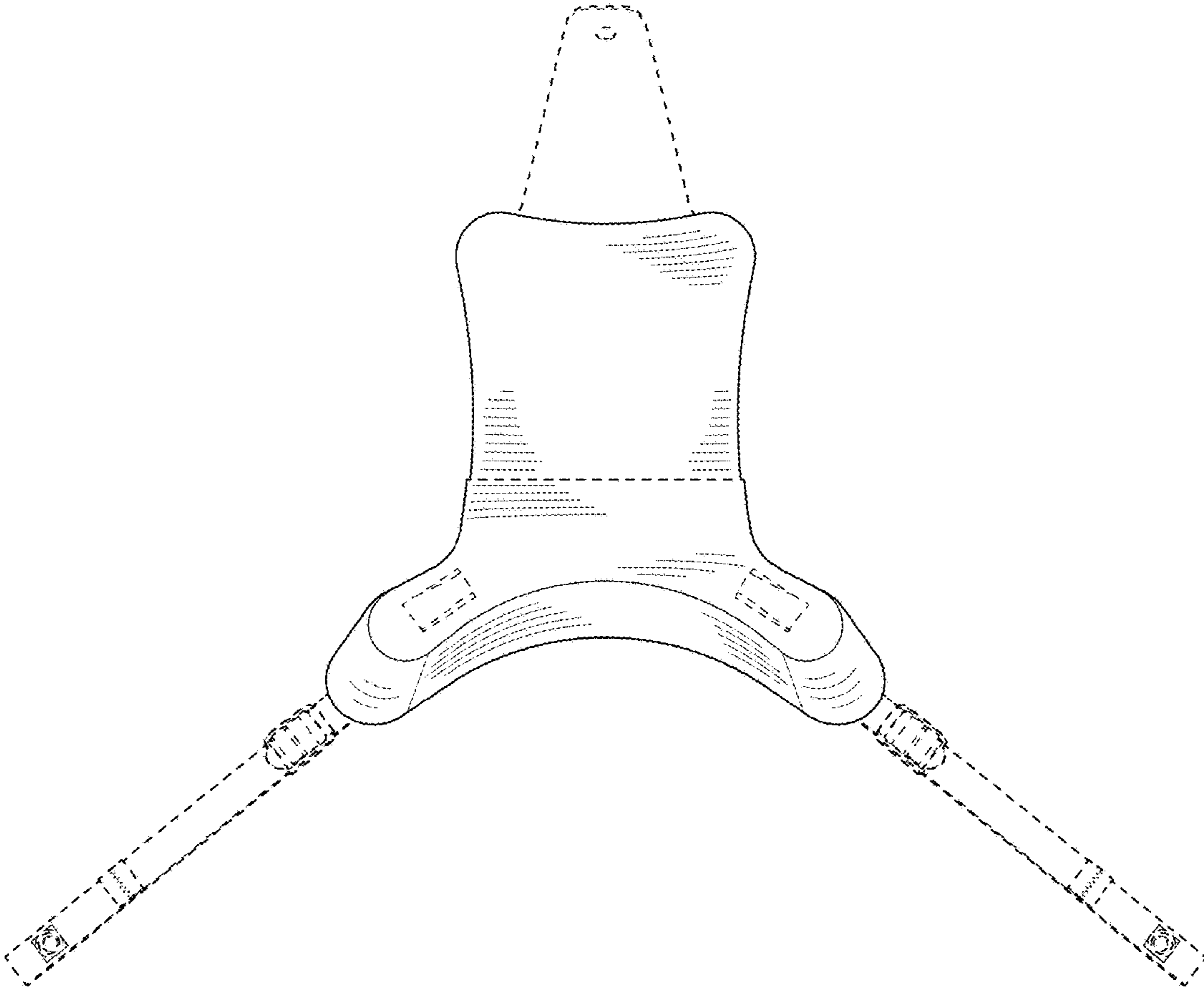


FIG. 2

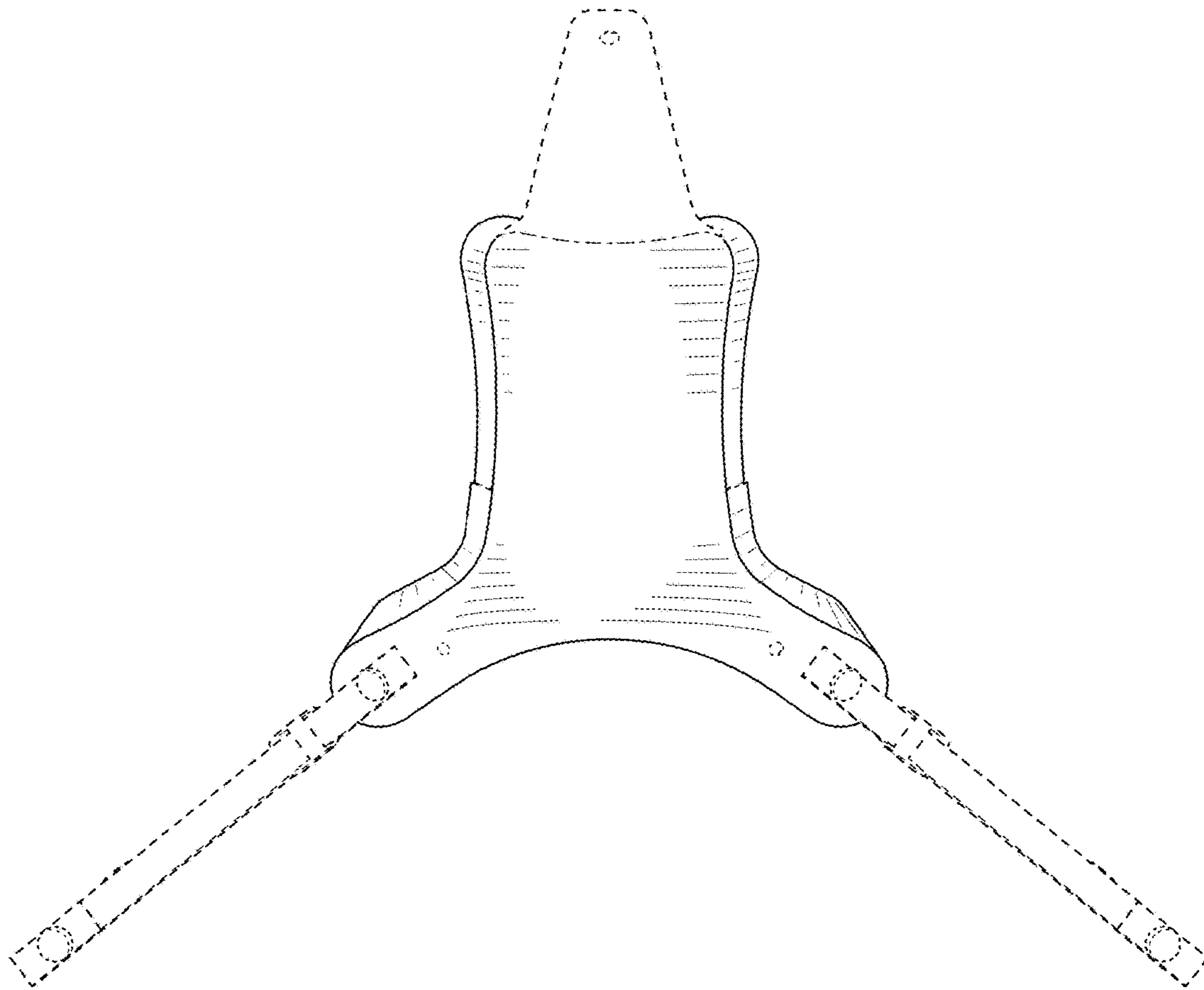


FIG. 3

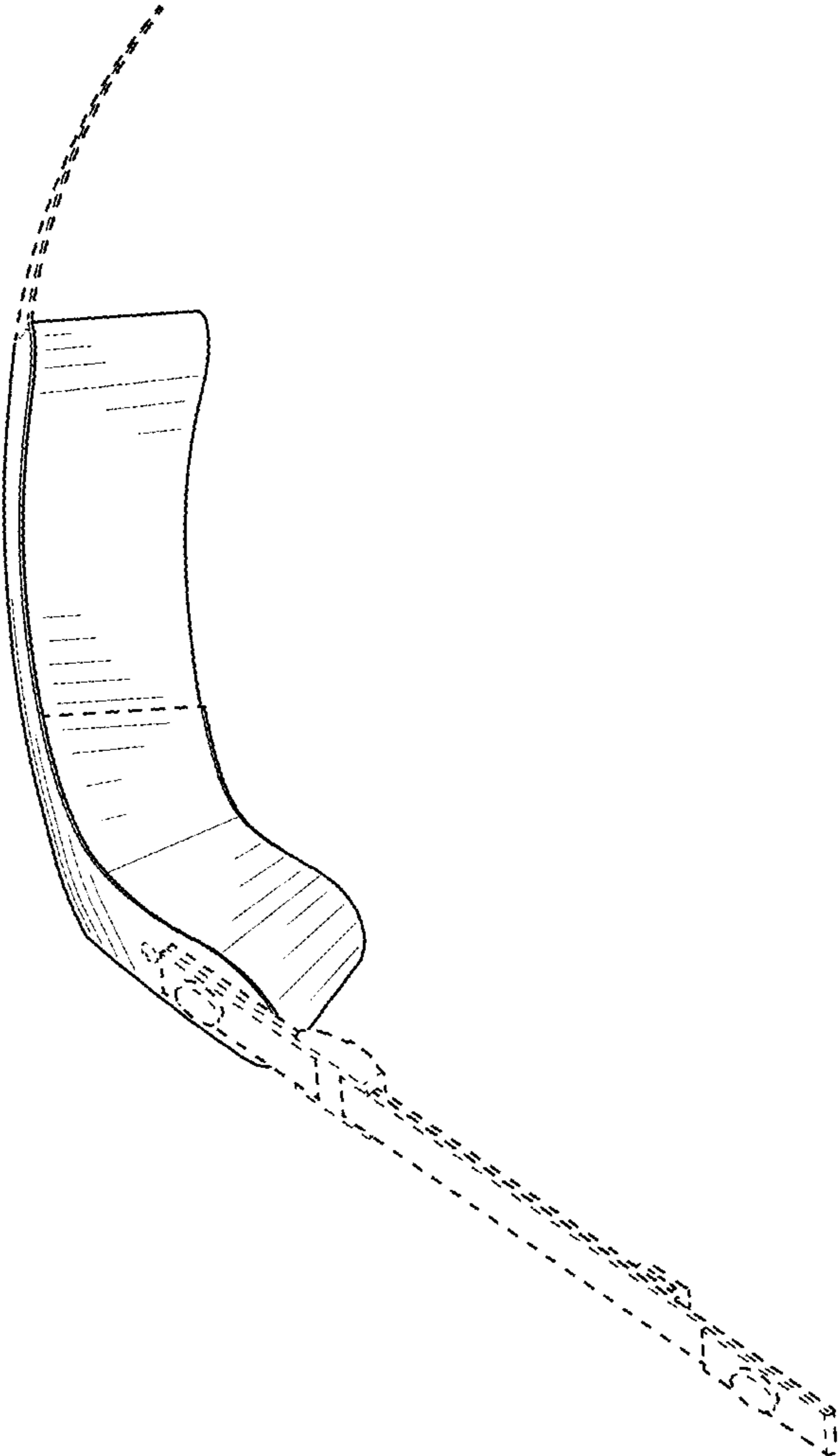


FIG. 4

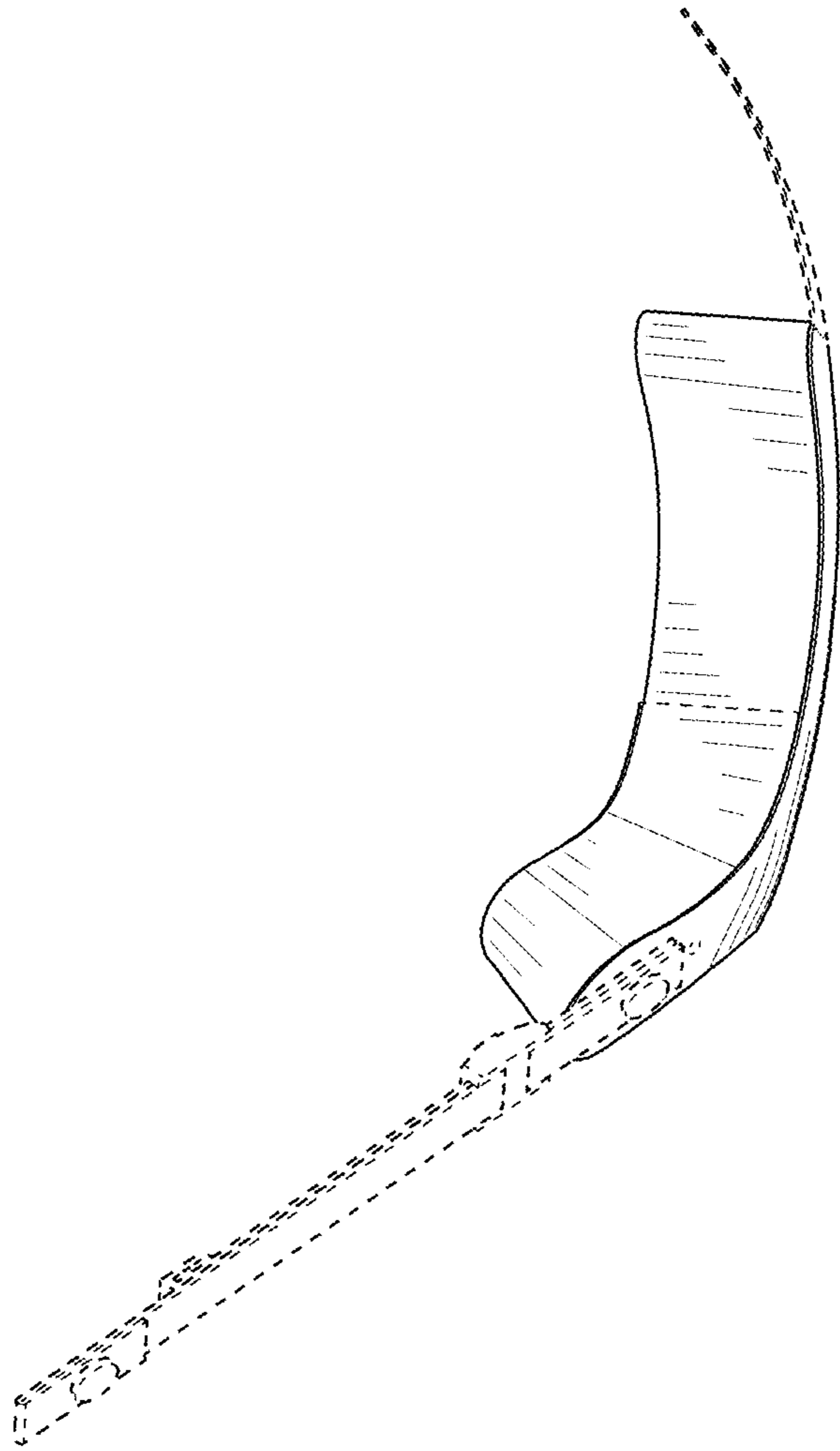


FIG. 5

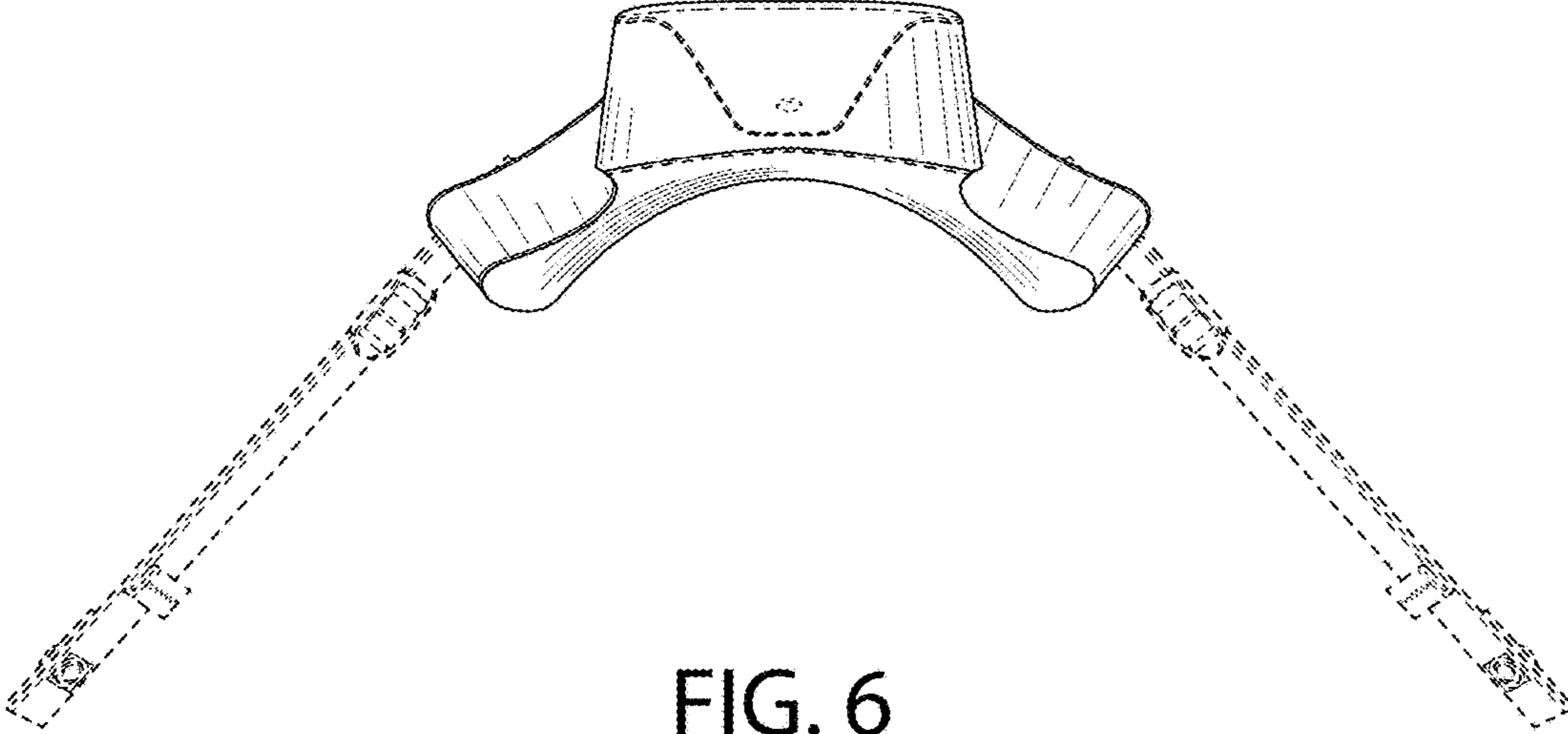


FIG. 6

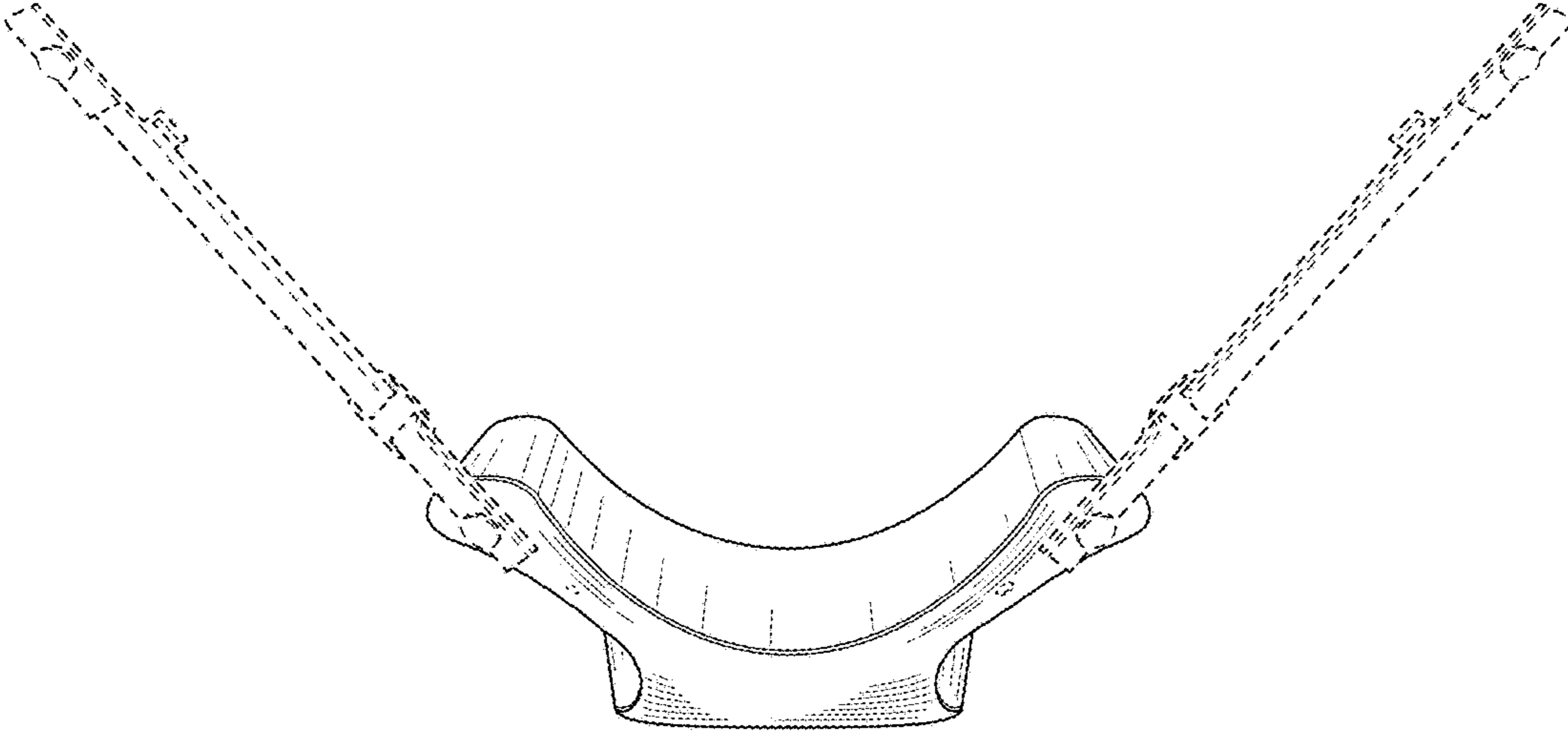


FIG. 7

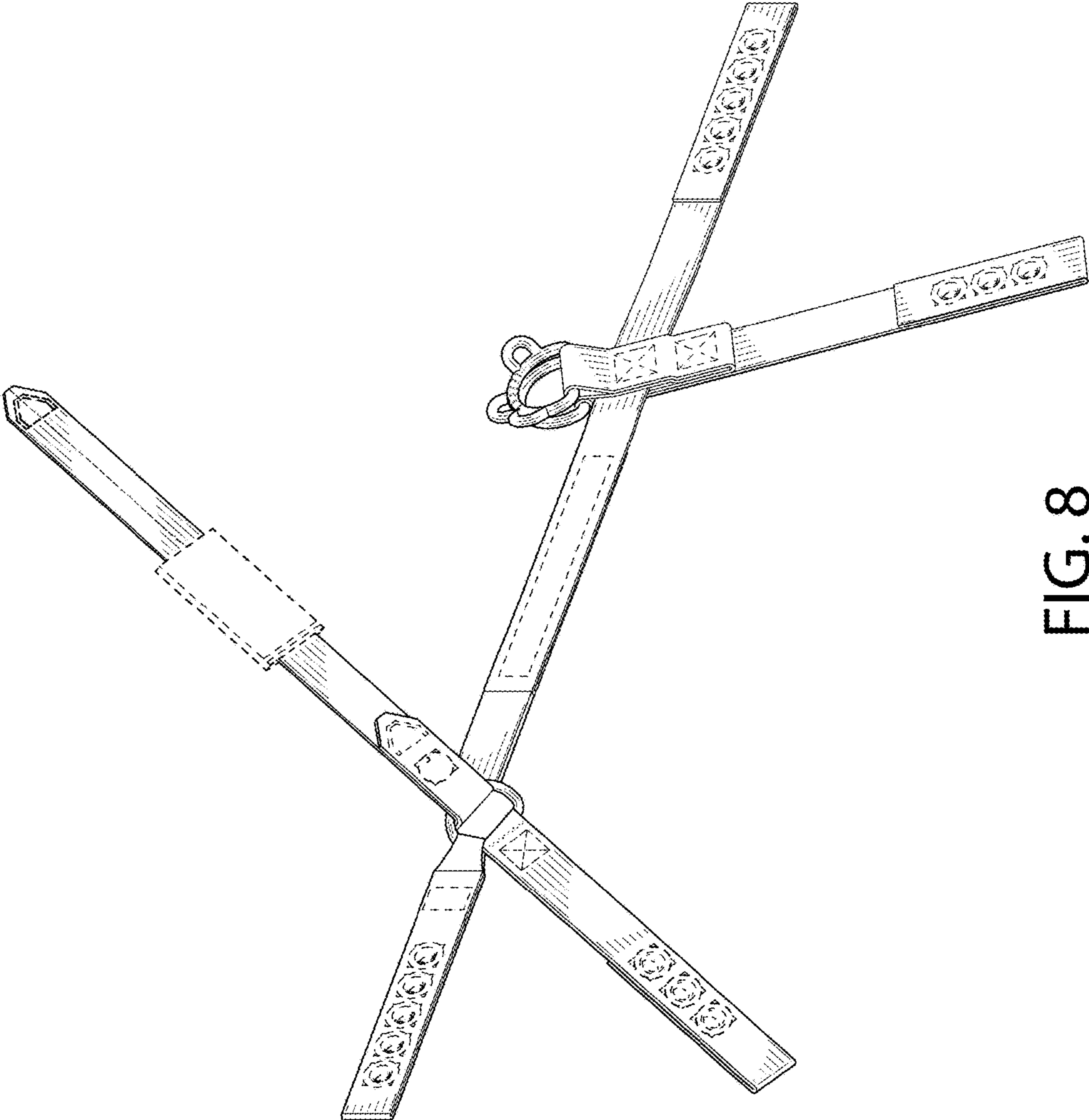


FIG. 8

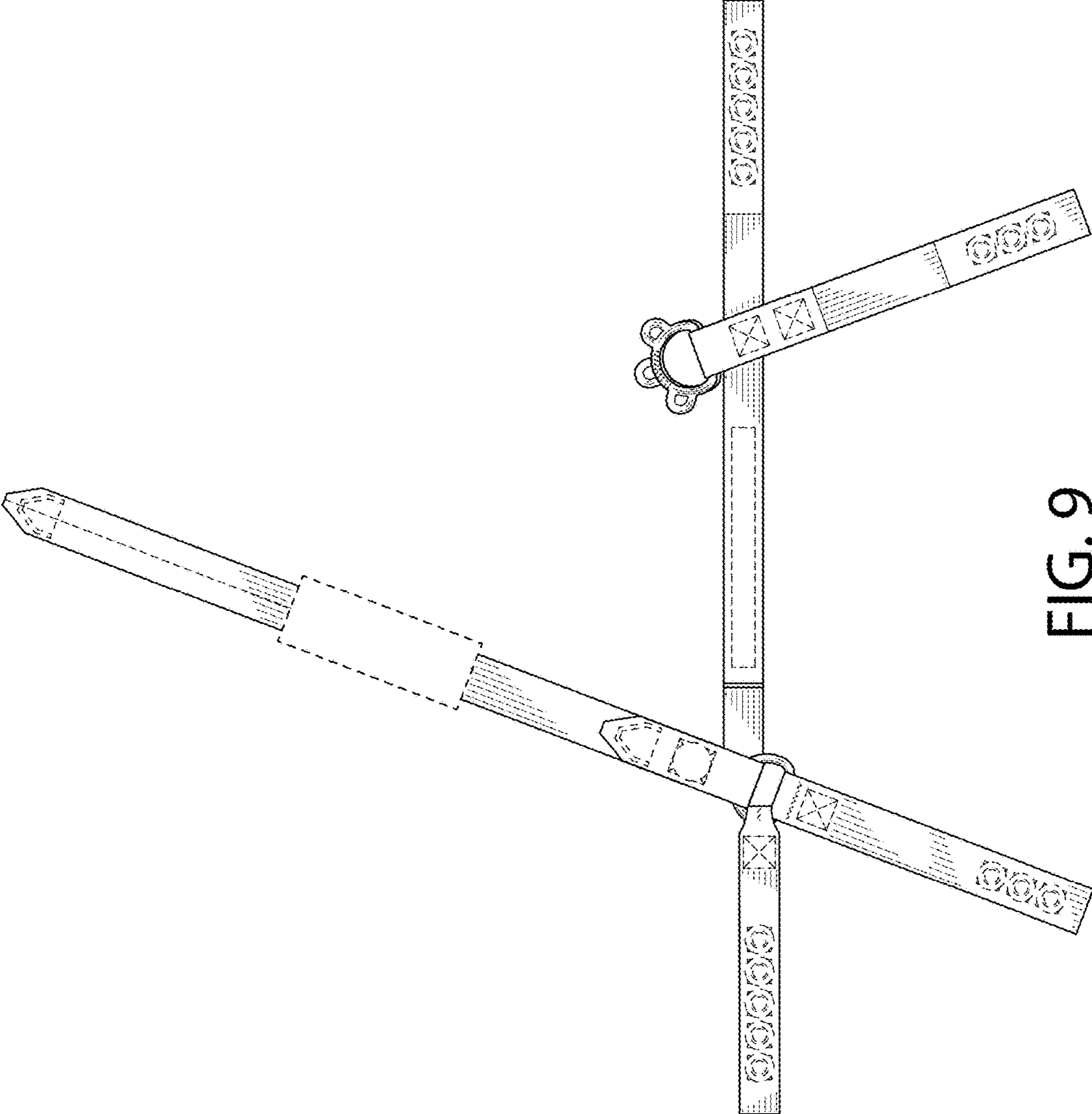


FIG. 9

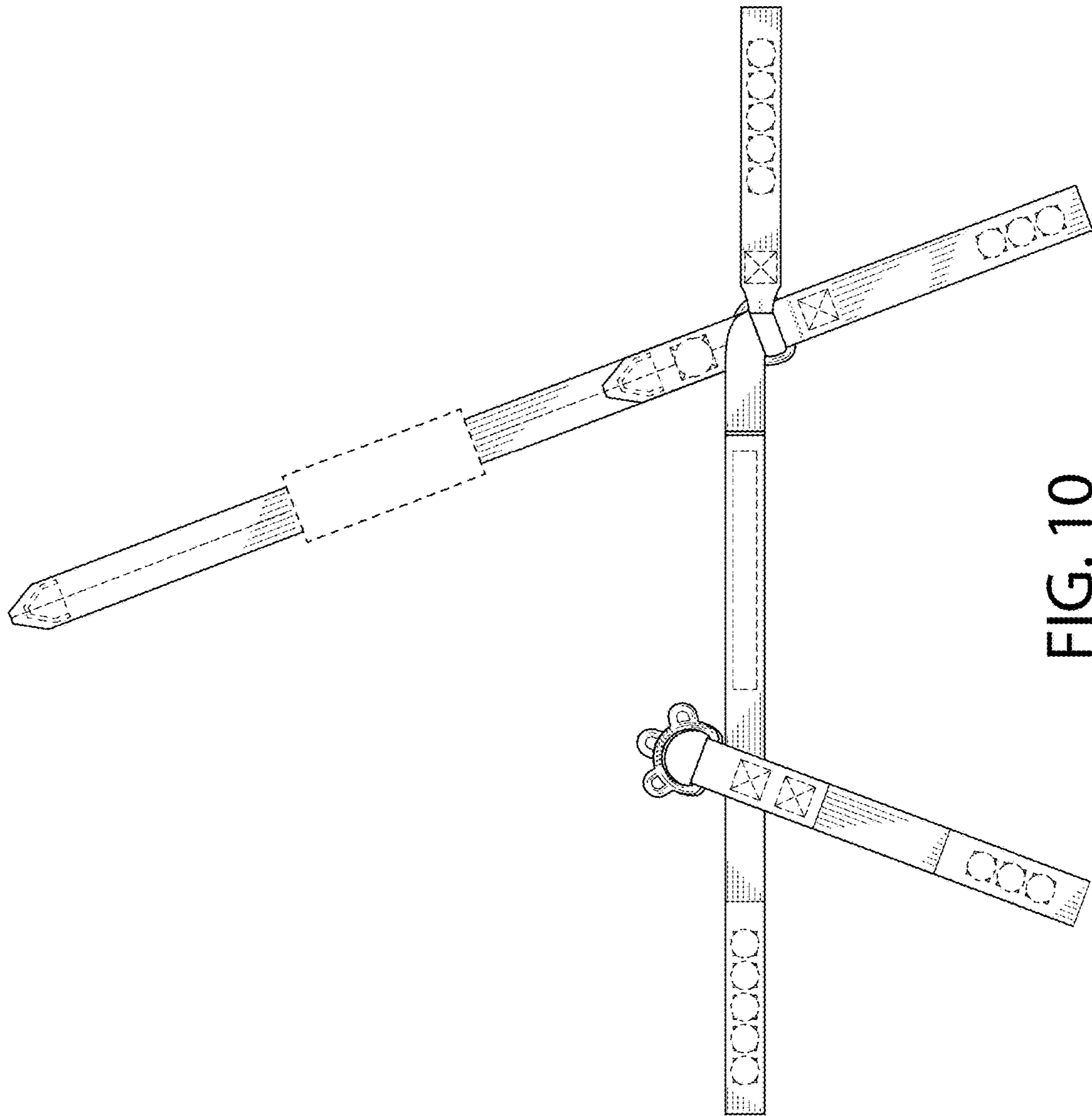


FIG. 10



FIG. 11

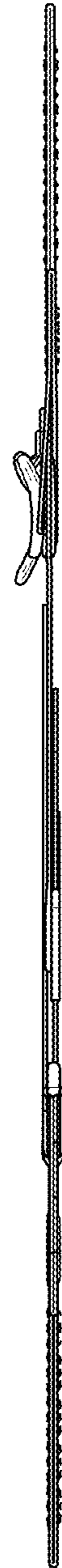


FIG. 12