



US00D810358S

(12) **United States Design Patent** (10) **Patent No.:** **US D810,358 S**  
**Heyl** (45) **Date of Patent:** **\*\* Feb. 13, 2018**

(54) **REAR LIGHT FOR VEHICLES**  
(71) Applicant: **VOLKSWAGEN AKTIENGESELLSCHAFT,**  
Wolfsburg (DE)  
(72) Inventor: **Frank Heyl,** Wolfsburg (DE)  
(73) Assignee: **VOLKSWAGEN AKTIENGESELLSCHAFT,**  
Wolfsburg (DE)

(\*\*) Term: **15 Years**

(21) Appl. No.: **29/551,439**

(22) Filed: **Jan. 13, 2016**

(30) **Foreign Application Priority Data**

Jul. 17, 2015 (WO) ..... 908 451 301

(51) **LOC (11) Cl.** ..... **28-07**

(52) **U.S. Cl.**  
USPC ..... **D28/26**

(58) **Field of Classification Search**  
USPC ..... D26/28-36; 362/459-468, 475-478,  
362/485-487  
CPC ..... F21S 48/00; F21S 48/10; F21S 48/115;  
F21S 48/225; F21S 48/1233; F21S  
48/1266; F21S 48/1388; F21S 48/2268;  
F21V 21/04

See application file for complete search history.

(56) **References Cited**

**U.S. PATENT DOCUMENTS**

D674,125 S \* 1/2013 Davies ..... D26/28  
D686,766 S \* 7/2013 Morgenstern ..... D26/28  
D689,636 S \* 9/2013 Ostenrieder ..... D26/28

D701,631 S \* 3/2014 Goto ..... D26/28  
D751,233 S \* 3/2016 Wolff ..... D26/28  
D751,738 S \* 3/2016 Rekow ..... D26/28  
D753,854 S \* 4/2016 Wolff ..... D26/28  
D770,653 S \* 11/2016 Lai ..... D26/28  
D771,289 S \* 11/2016 Binder ..... D26/28  
D773,080 S \* 11/2016 Liu ..... D26/28  
D776,847 S \* 1/2017 Wolff ..... D26/28  
D780,961 S \* 3/2017 Curic ..... D26/28

\* cited by examiner

*Primary Examiner* — Angela J Lee

(74) *Attorney, Agent, or Firm* — Lucas & Mercanti, LLP;  
Klaus P. Stoffel

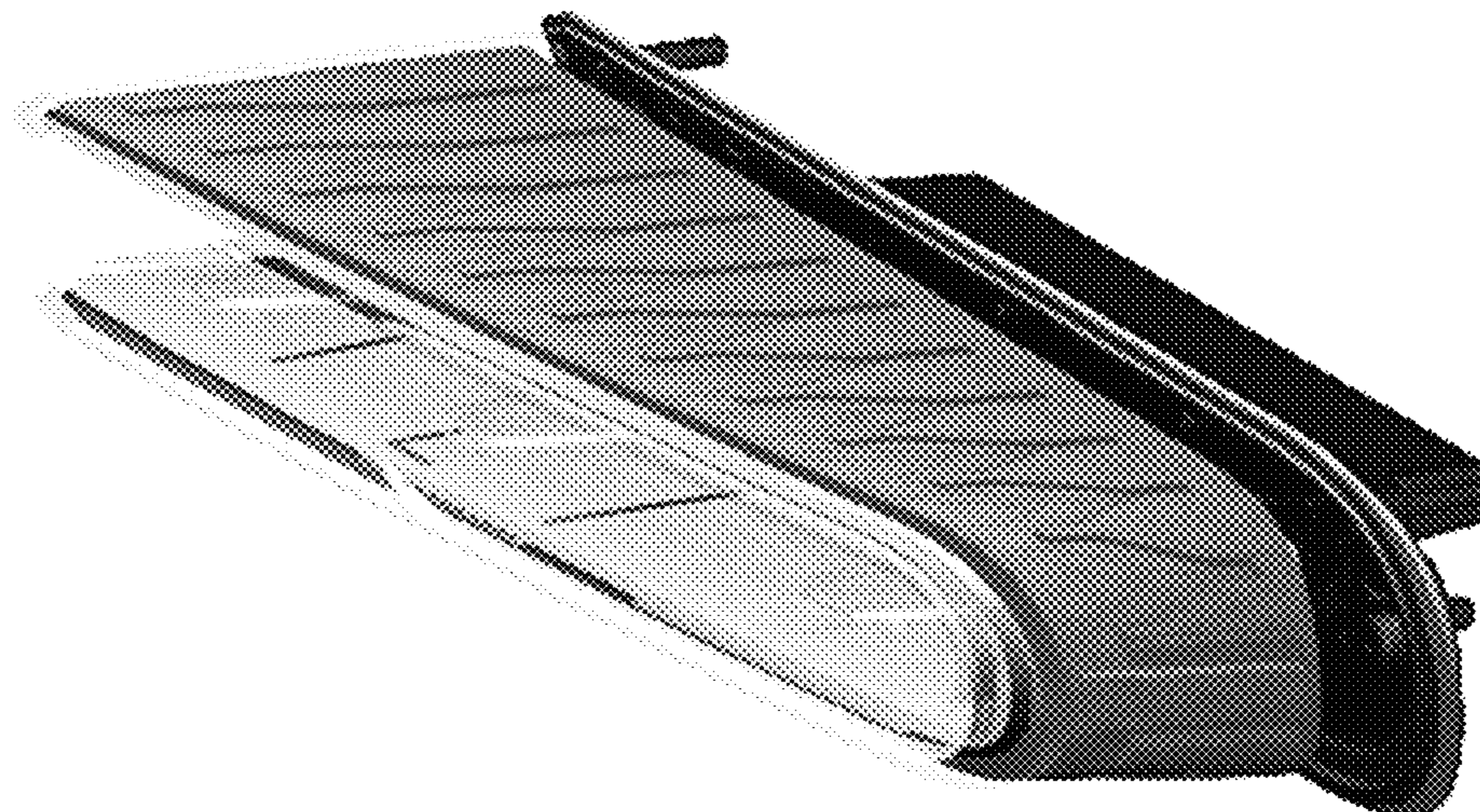
(57) **CLAIM**

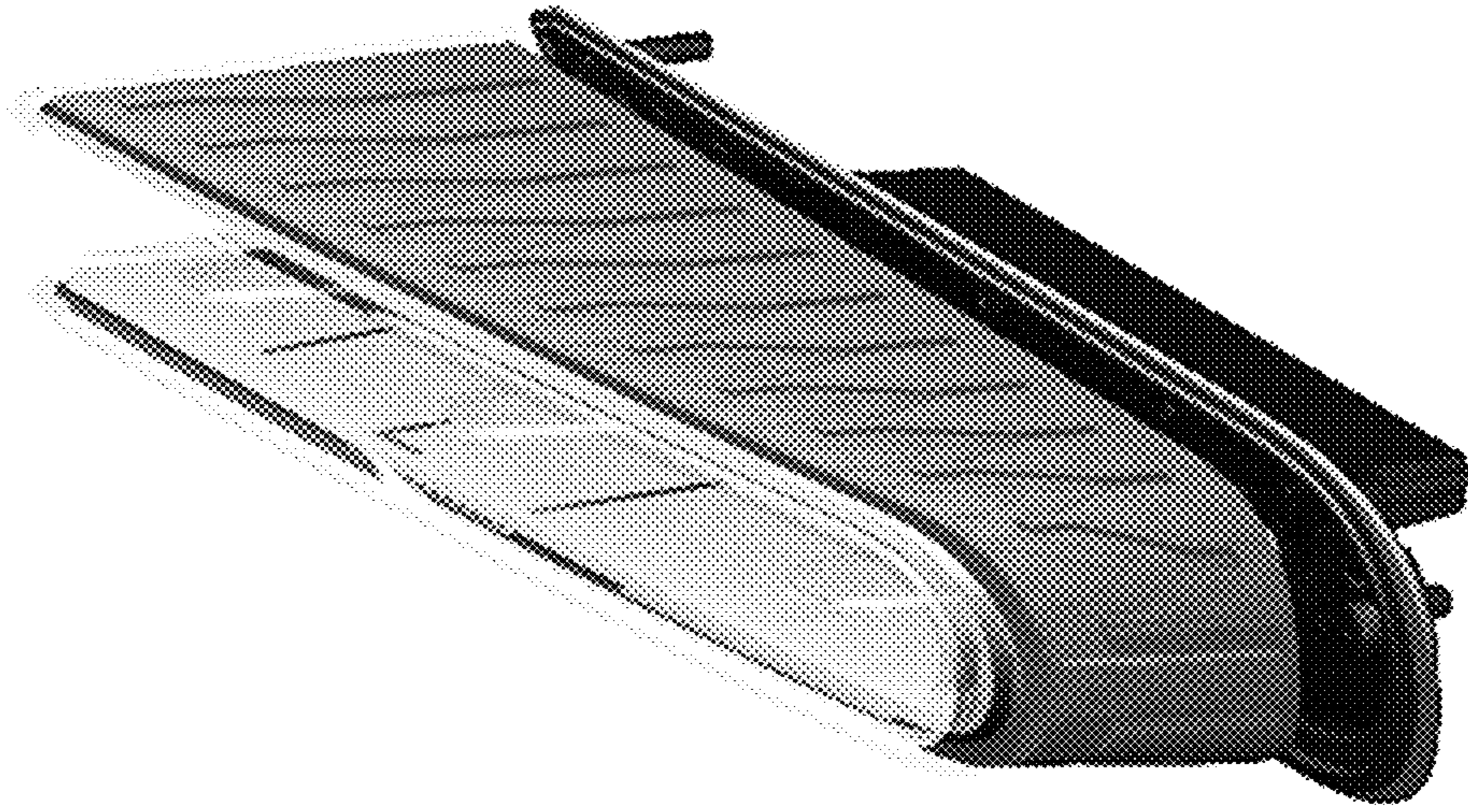
The ornamental design for a rear light for vehicles, as shown and described.

**DESCRIPTION**

FIG. 1 is a front, right side perspective view of the rear light for vehicles of the present invention;  
FIG. 2 is a front, left side perspective view thereof;  
FIG. 3 is a front, top perspective view thereof;  
FIG. 4 is a right side view thereof;  
FIG. 5 is a left side view thereof;  
FIG. 6 is a top view thereof;  
FIG. 7 is a bottom view thereof;  
FIG. 8 is a front, left side perspective view of a second embodiment of the rear light for vehicles;  
FIG. 9 is a front, right side perspective view thereof;  
FIG. 10 is a front, top perspective view thereof;  
FIG. 11 is a left side view thereof;  
FIG. 12 is a right side view thereof;  
FIG. 13 is a top view thereof; and,  
FIG. 14 is a bottom view thereof.

**1 Claim, 8 Drawing Sheets**

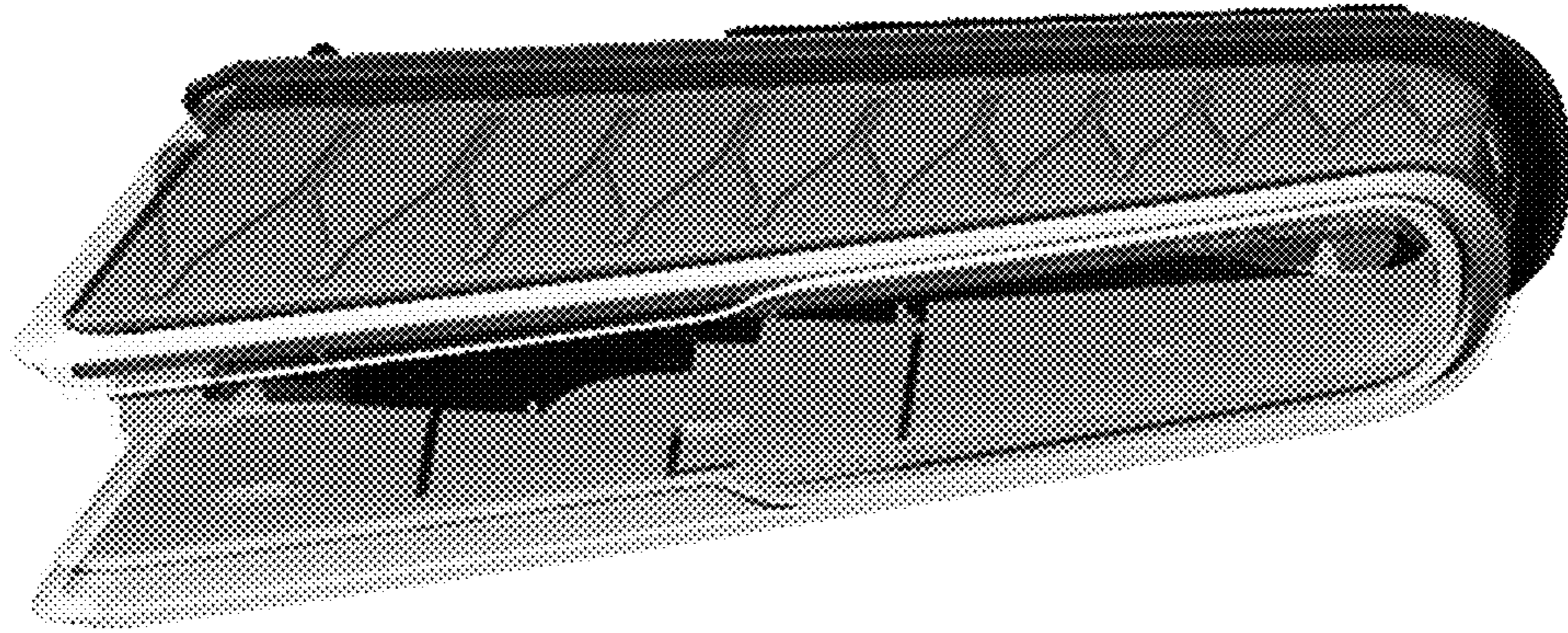




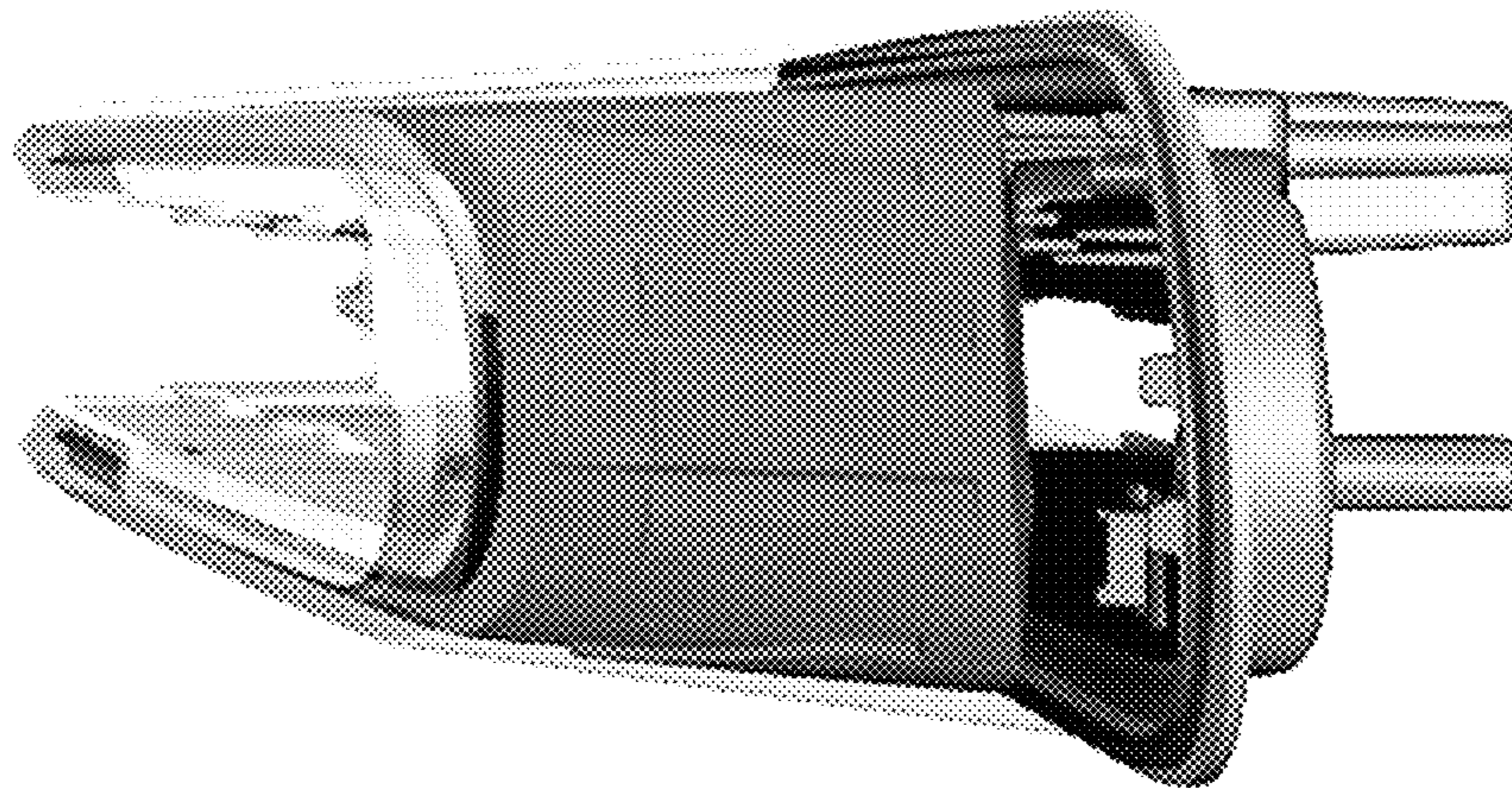
**Fig. 1**



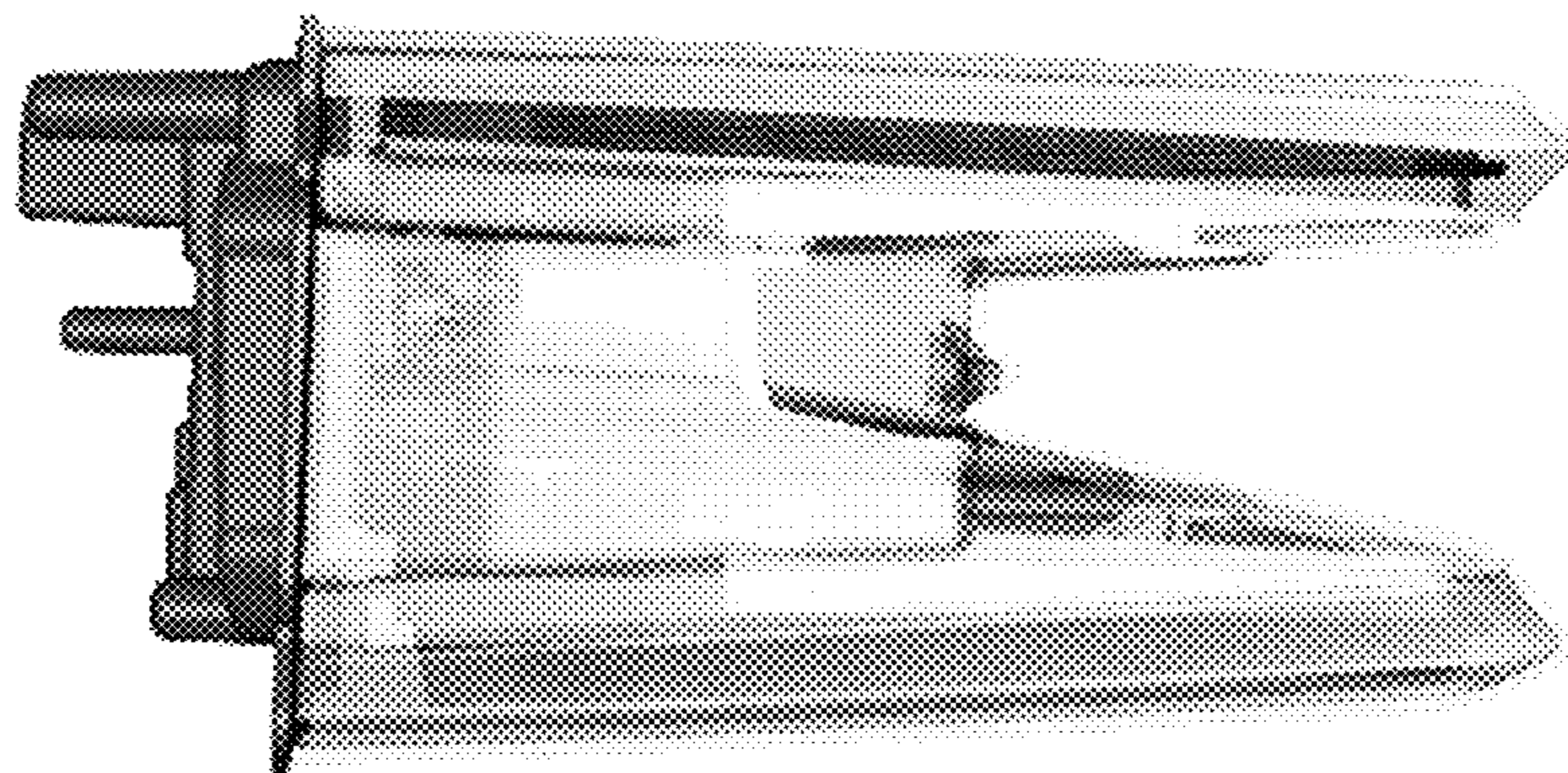
**Fig. 2**



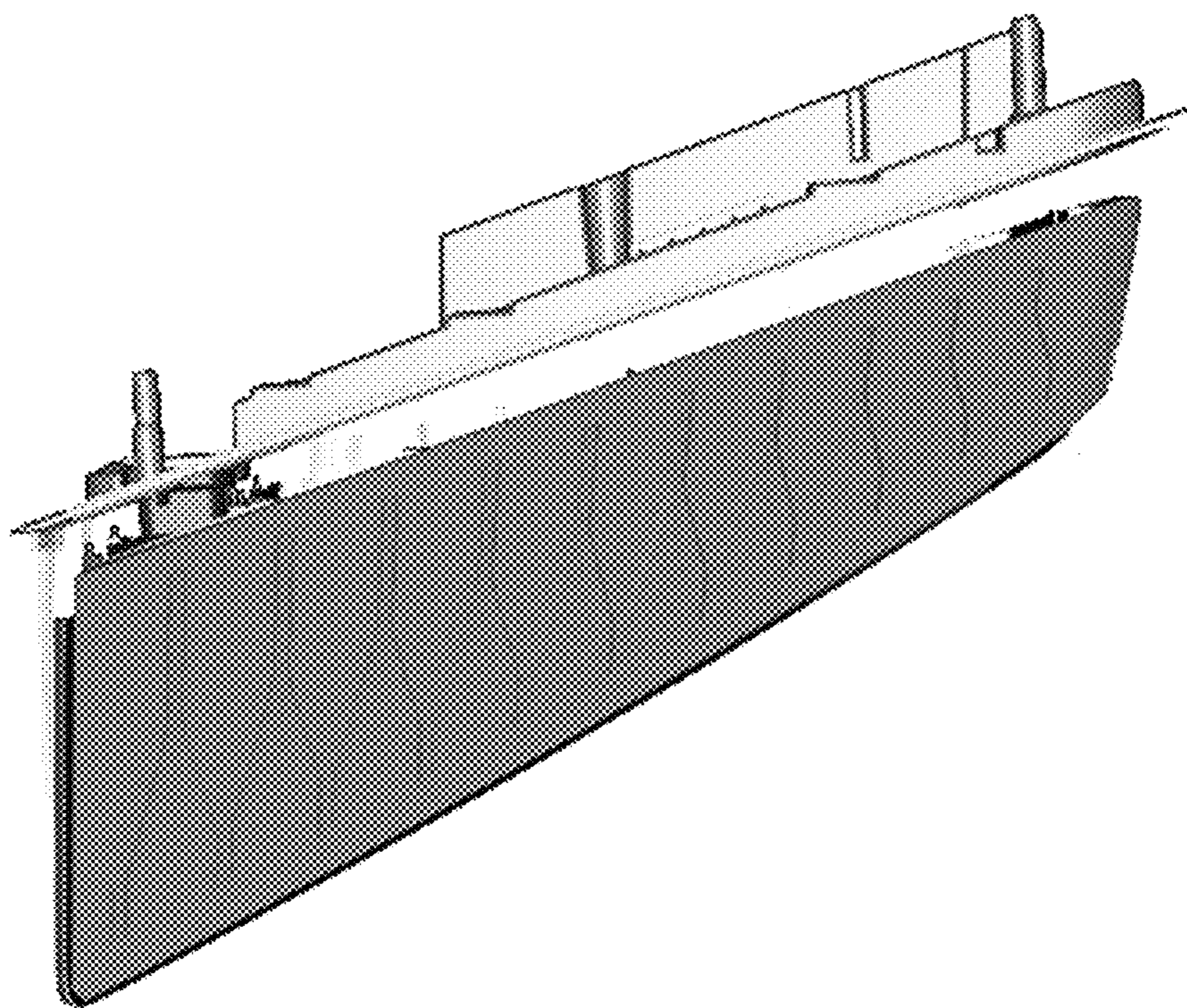
**Fig. 3**



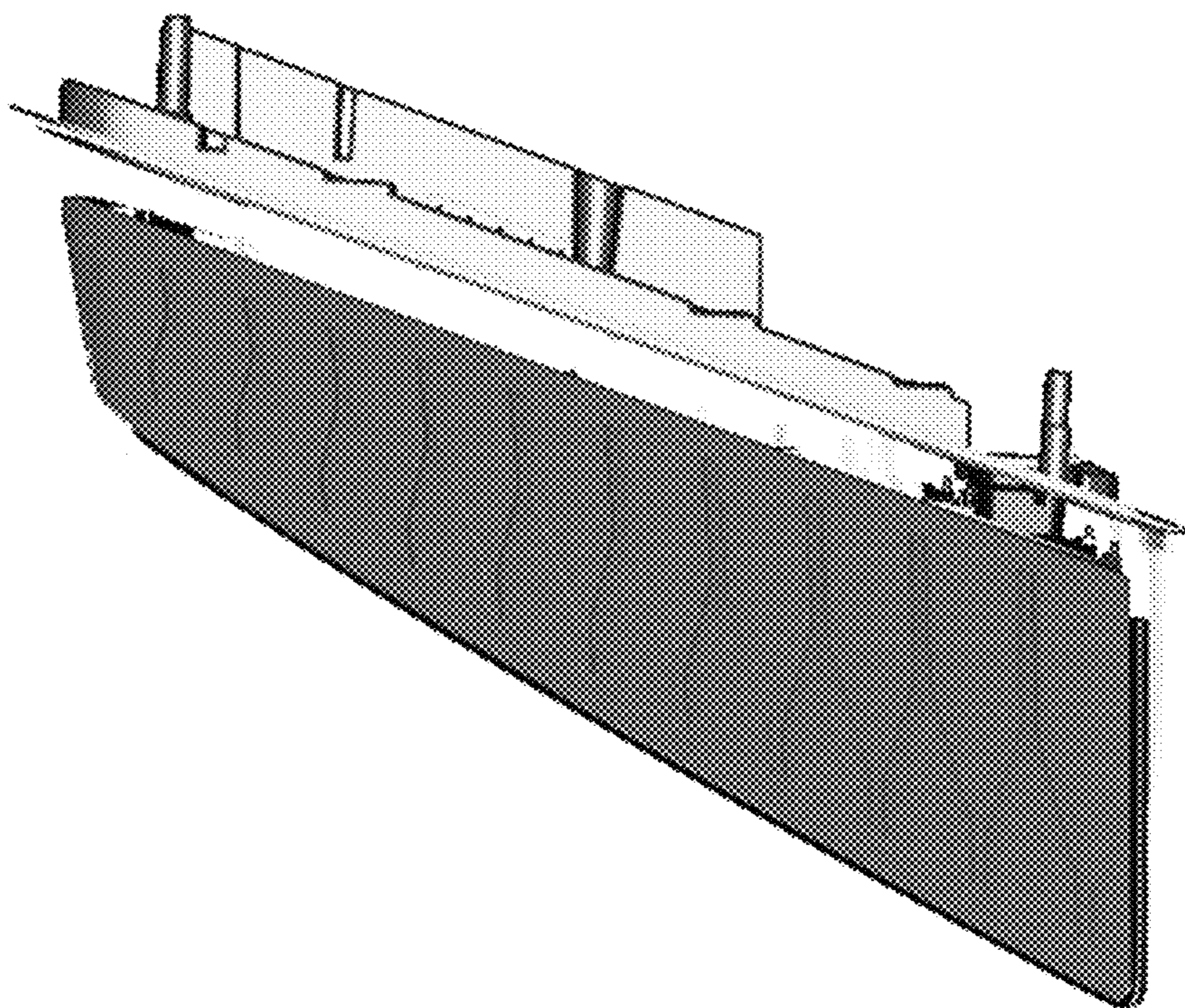
**Fig. 4**



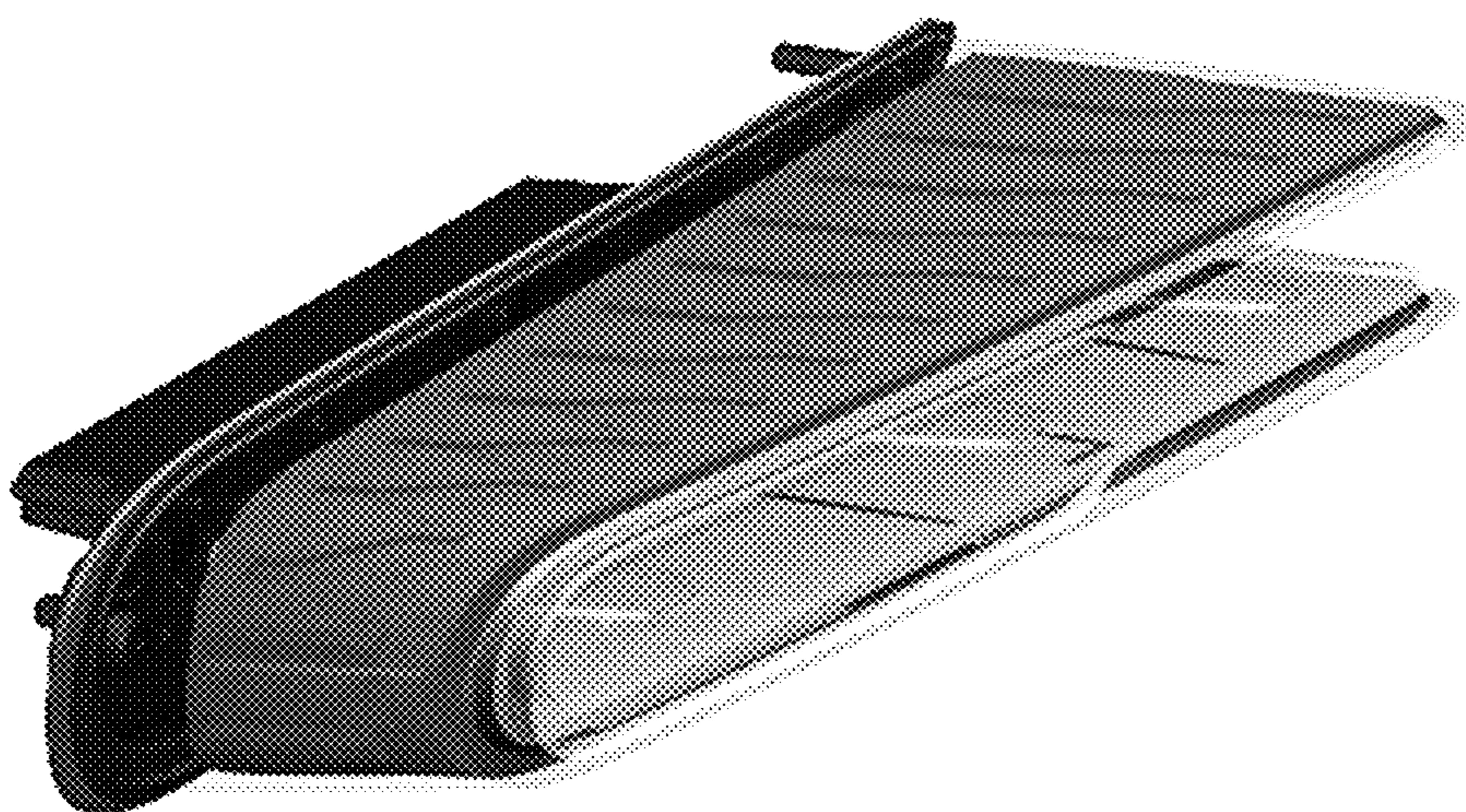
**Fig. 5**



**Fig. 6**



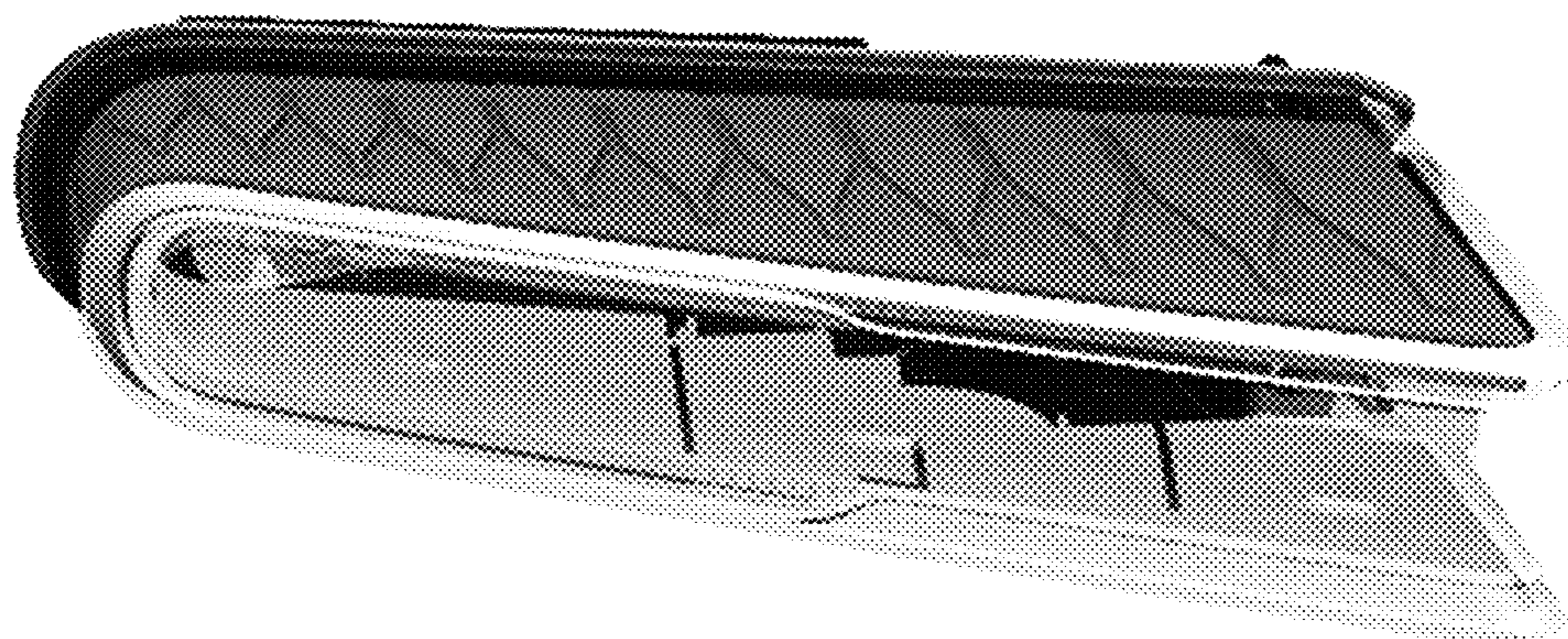
**Fig. 7**



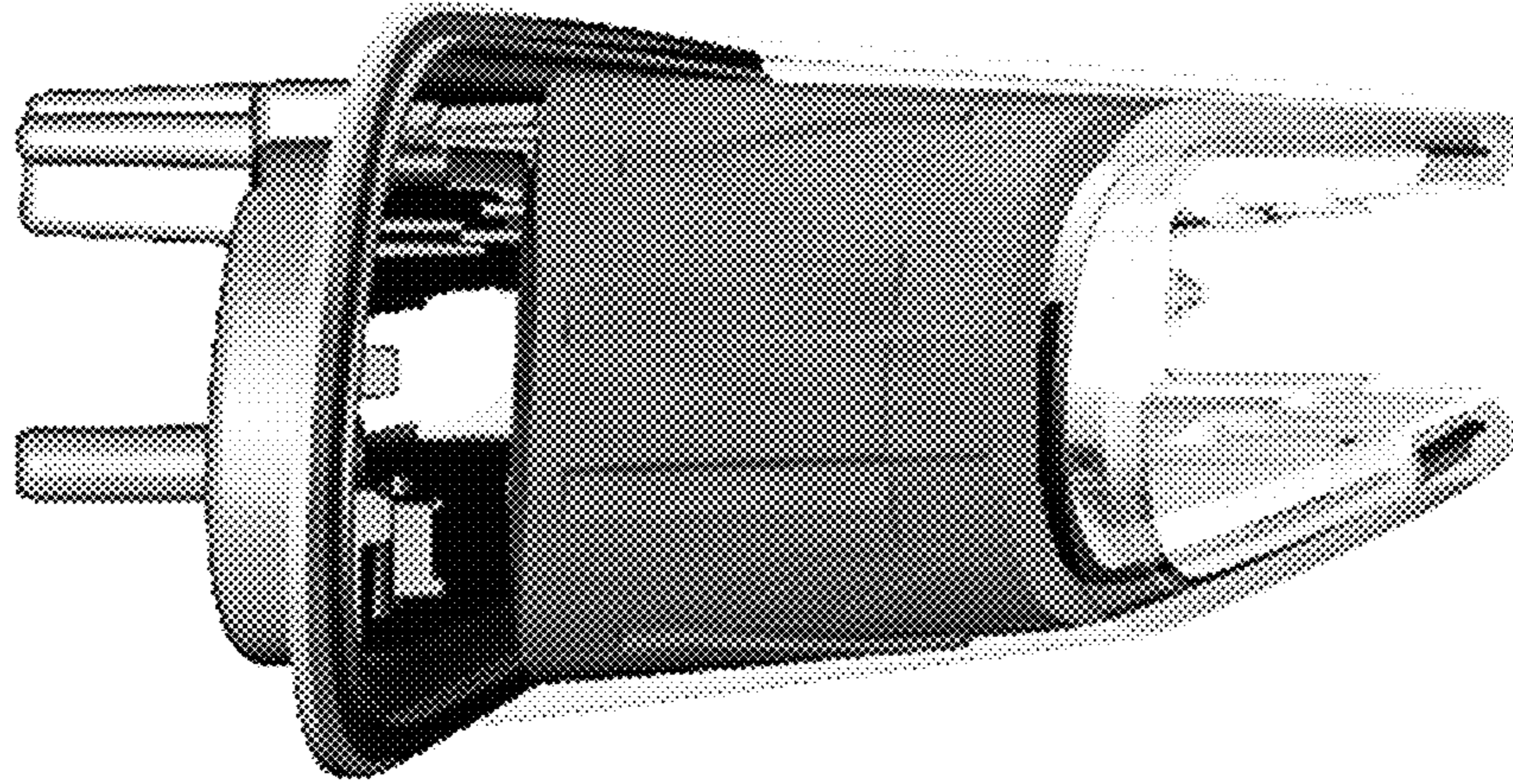
**Fig. 8**



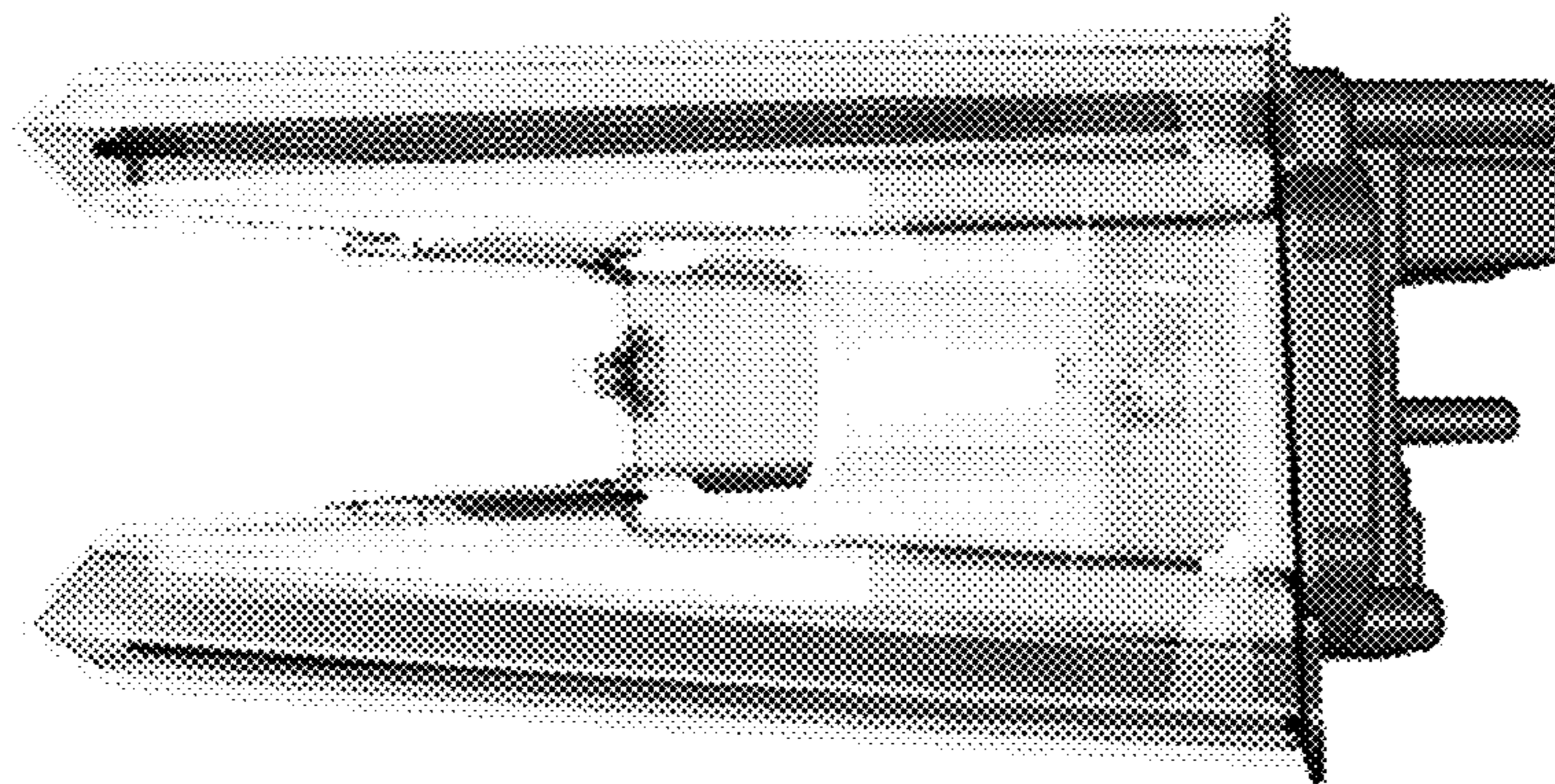
**Fig. 9**



**Fig. 10**



**Fig. 11**



**Fig. 12**

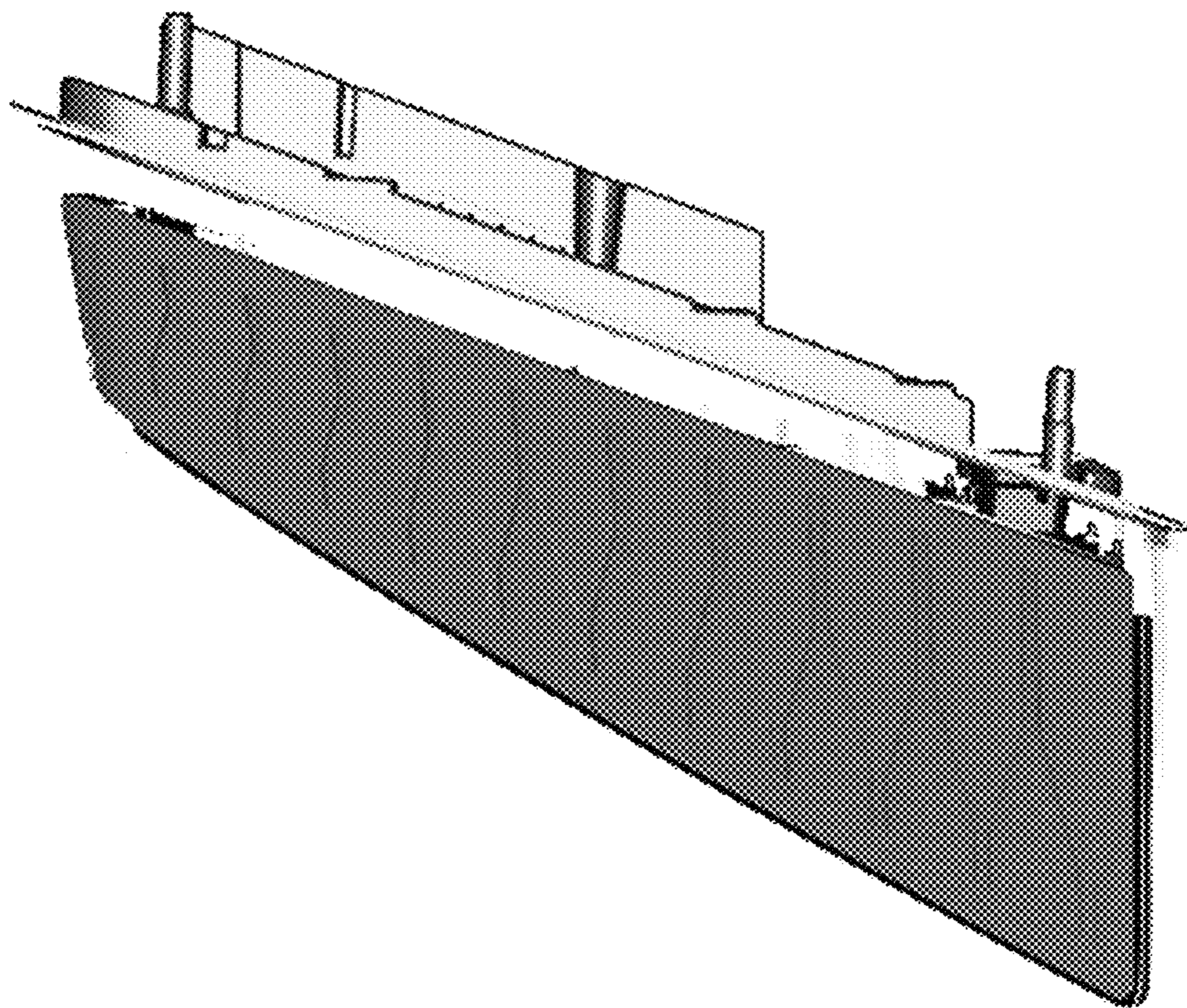
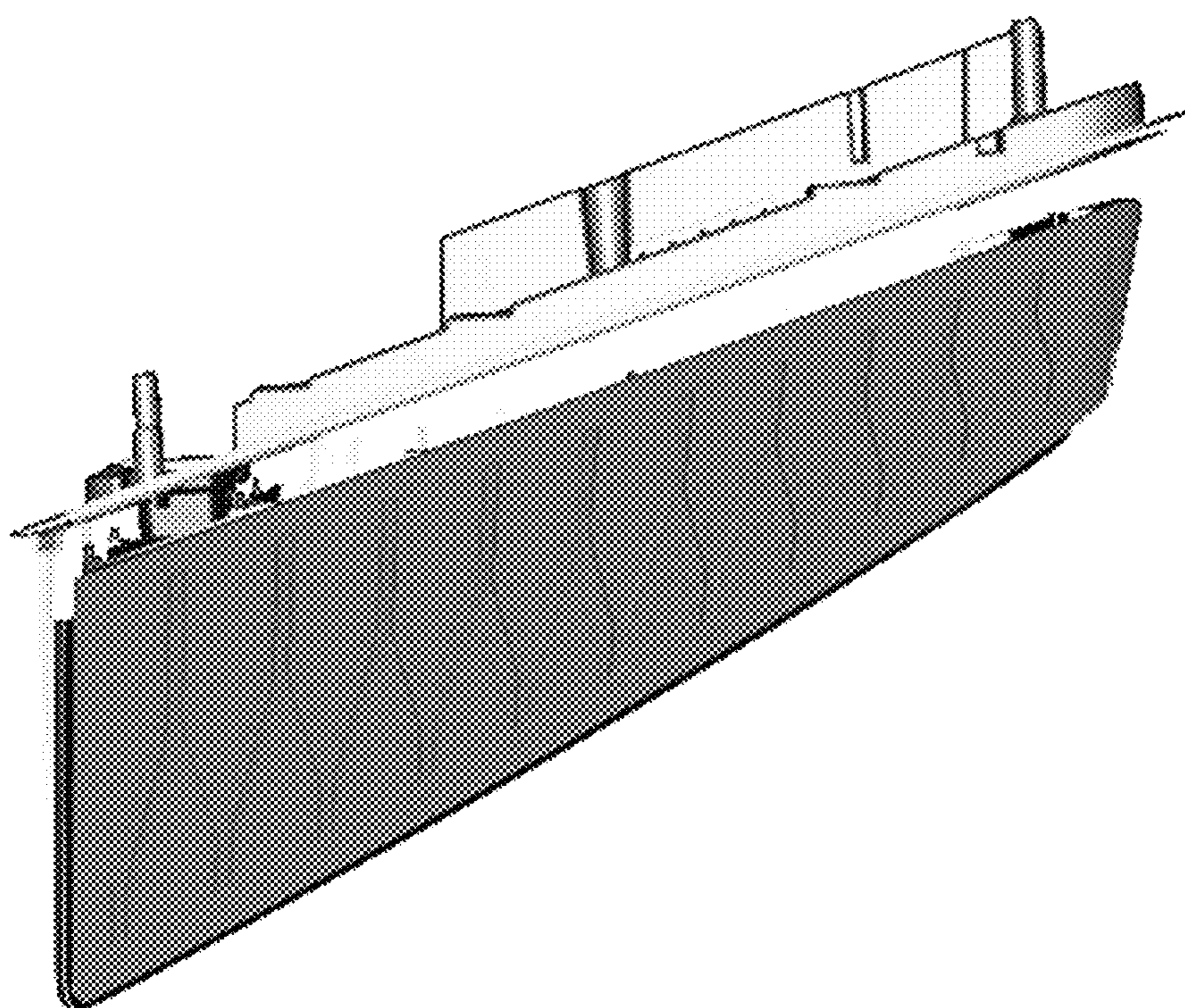


Fig. 13





**Fig. 14**