



US00D810356S

(12) **United States Design Patent**
Janowick et al.

(10) **Patent No.:** **US D810,356 S**
(45) **Date of Patent:** **** Feb. 13, 2018**

(54) **BLOW DRYER**

(71) Applicant: **Drybar Holdings LLC**, Irvine, CA
(US)

(72) Inventors: **David T. Janowick**, Santa Ana, CA
(US); **Stephen Joseph Gwin**, Playa de
Rey, CA (US)

(73) Assignee: **DryBar Holdings LLC**, Irvine, CA
(US)

(**) Term: **15 Years**

(21) Appl. No.: **29/560,025**

(22) Filed: **Apr. 1, 2016**

(51) **LOC (11) Cl.** **28-03**

(52) **U.S. Cl.**
USPC **D28/16**

(58) **Field of Classification Search**
USPC 34/283; D30/158; D28/12-16, 18-19,
D28/24, 28, 54.1; D8/14.1, 29.1-29.2, 68
CPC A45D 20/00; A45D 20/04; A45D 20/06;
A45D 20/08; A45D 20/10; A45D 20/12;
A45D 20/122; A45D 20/28; A45D 20/48;
A45D 2020/128; A47K 10/00; B29C
59/00

See application file for complete search history.

(56) **References Cited**

U.S. PATENT DOCUMENTS

D460,214 S *	7/2002	Parodi	D28/13
D470,975 S *	2/2003	Rizzuto, Jr.	D28/13
D470,976 S *	2/2003	Rizzuto, Jr.	D28/13
D494,710 S *	8/2004	Parodi	D28/13
D496,754 S *	9/2004	Parodi	D28/13
D518,919 S *	4/2006	Parodi	D28/13
D527,145 S *	8/2006	Zimmermann	D28/13
D528,698 S *	9/2006	Rizzuto, Jr.	D28/13
D529,230 S *	9/2006	Koenemann	D28/13
D541,981 S *	5/2007	Ceva	D28/13
D543,313 S *	5/2007	Petrucelli, Jr.	D28/13
D544,147 S *	6/2007	Baudouin	D28/13
D629,967 S *	12/2010	Mayo	D28/13

D641,521 S *	7/2011	Parodi	D28/13
D655,038 S *	2/2012	Petrucelli	D28/13
D715,485 S *	10/2014	Parodi	A45D 20/12 D28/13

(Continued)

OTHER PUBLICATIONS

“Baby buttercup travel blow dryer,” [online], posted Jul. 28, 2016, retrieved May 5, 2017, retrieved from http://shop.nordstrom.com/s/drybar-baby-buttercup-travel-blow-dryer/4328845?cm_mmc=google-_-productads-_-Women%3AHairAccessories%3AHairtool-_-5149837&rkid=h-3d931746b1189f150cc2886ebb40f595_t-1494001940&adpos=1o6&creative=57185062073&device=c&.*

(Continued)

Primary Examiner — Karen K Kearney

Assistant Examiner — Debra A Callahan

(74) *Attorney, Agent, or Firm* — Knobbe Martens Olson & Bear LLP

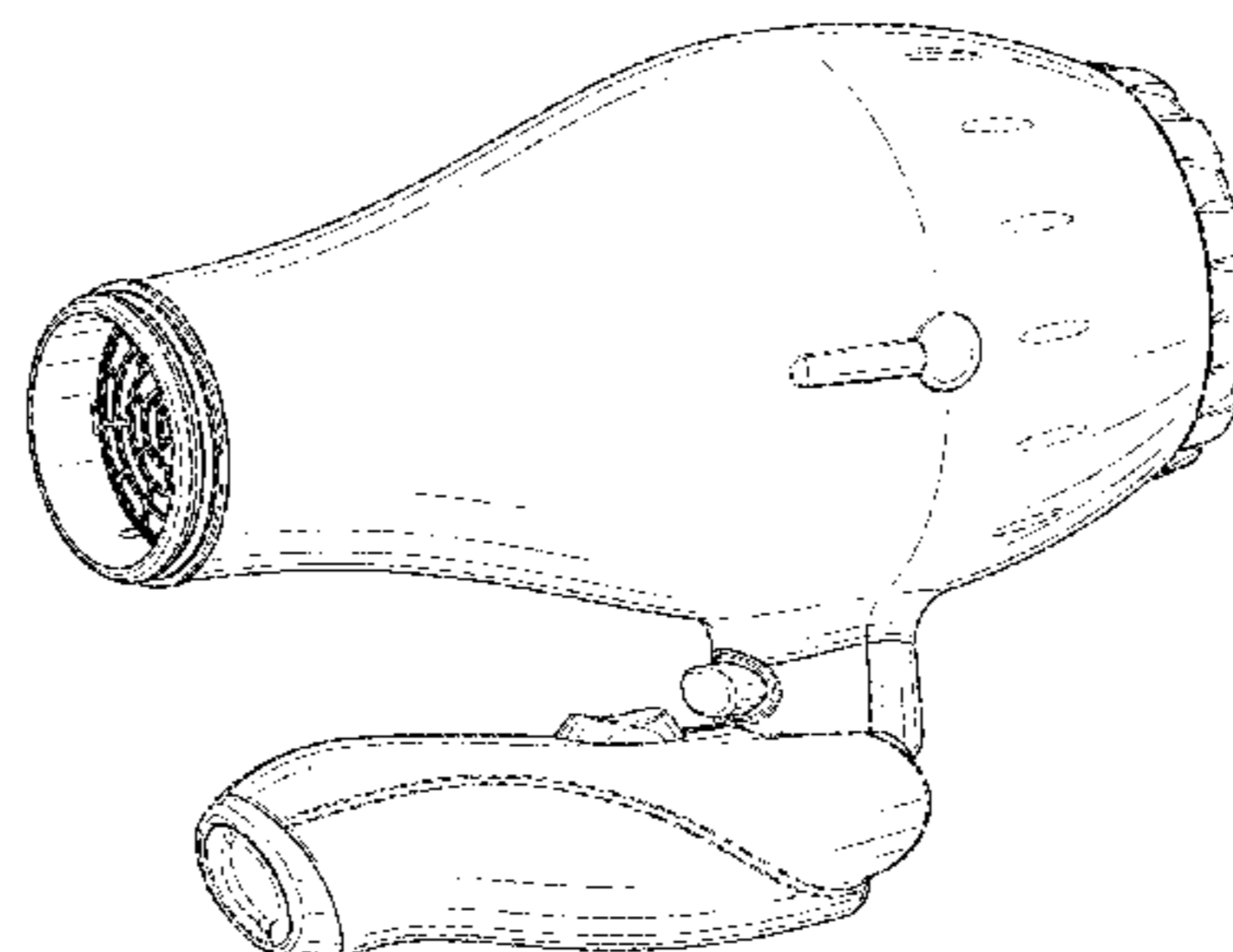
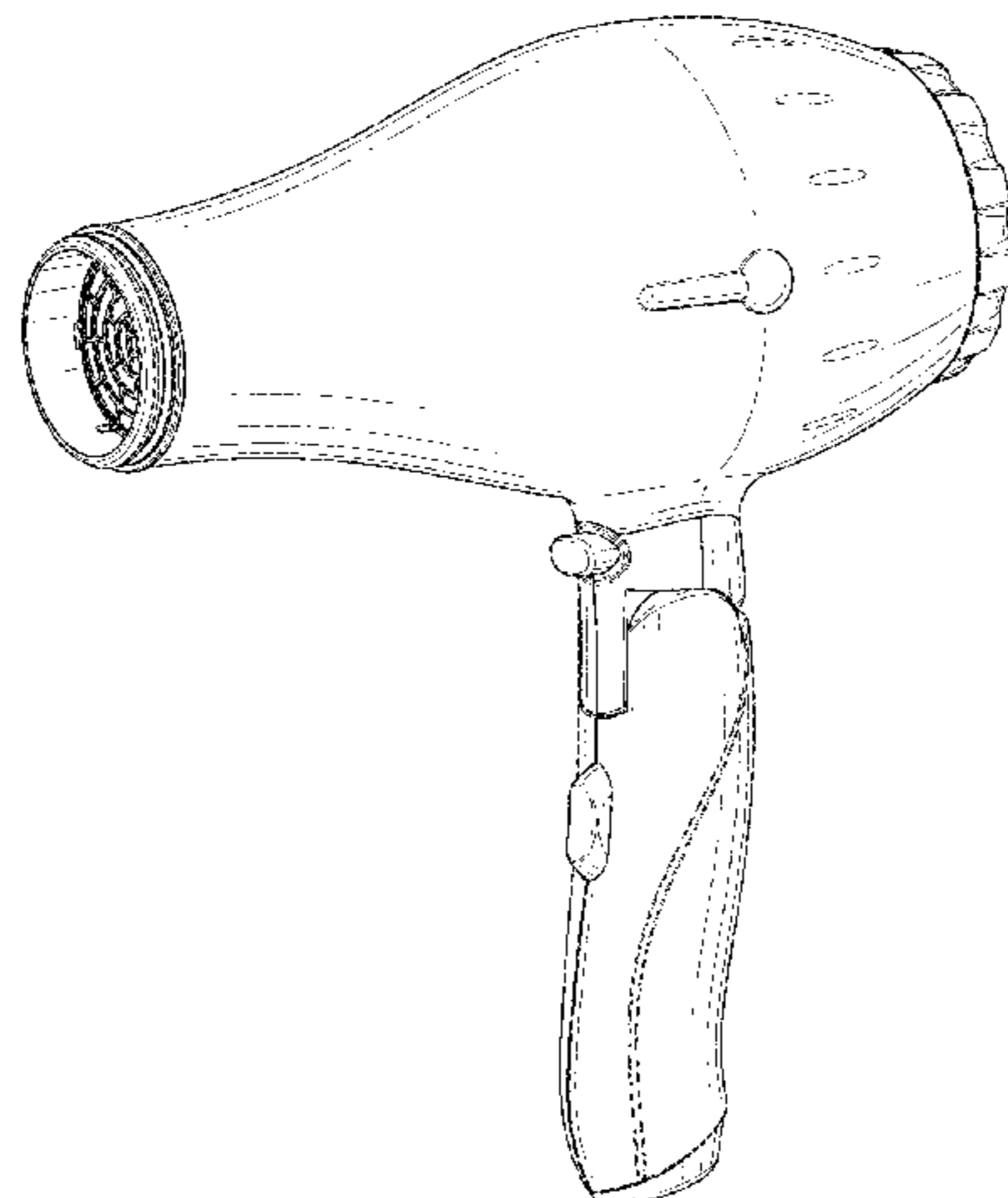
(57) **CLAIM**

The ornamental design for a blow dryer, as shown and described.

DESCRIPTION

FIG. 1 is a front, right perspective view of a blow dryer; FIG. 2 is a rear, left perspective view thereof; FIG. 3 is a right-side elevation view thereof; FIG. 4 is a left-side elevation view thereof; FIG. 5 is a front elevation view thereof; FIG. 6 is a rear elevation view thereof; FIG. 7 is a top plan view thereof; FIG. 8 is a bottom plan view thereof; FIG. 9 is a front, right perspective view thereof in a bent configuration; and, FIG. 10 is a rear, left perspective view thereof in a bent configuration. The broken lines illustrate portions of the blow dryer and form no part of the claimed design.

1 Claim, 7 Drawing Sheets



(56)

References Cited

U.S. PATENT DOCUMENTS

D716,998 S	*	11/2014	Americano	A45D 20/122
					D28/13
D716,999 S	*	11/2014	Americano	A45D 20/122
					D28/13
D726,959 S	*	4/2015	Fernandes da Costa	D28/18
D726,960 S	*	4/2015	Fernandes da Costa	D28/18
D750,322 S	*	2/2016	Hu	D28/13

OTHER PUBLICATIONS

Internet Archive Wayback Machine; T3 Featherweight Compact Folding Hair Dryer downloaded from http://web.archive.org/web/20140927193215/http://t3micro.com/store/index.php?main_page=product_info&cPath=65&products_id=311 (Archived Sep. 27, 2014; printed on May 9, 2016).

Internet Archive Wayback Machine; T3 Featherweight Journey downloaded from http://web.archive.org/web/20130705002133/http://www.t3micro.com/store/index.php?main_page=product_info&cPath=65&products_id=267 (Archived Jul. 5, 2013; printed on May 9, 2016).

Internet Archive Wayback Machine; Remington D2400 Travel Dryer 1400 downloaded from <http://web.archive.org/web/20120221175946/http://en.remington-europe.com/women/haircare/dryers/travel-dryer-1400-d2400.html> (Archived Feb. 21, 2012; printed on May 9, 2016).

Internet Archive Wayback Machine; Conair Vagabond Compact Styler downloaded from http://web.archive.org/web/20110926212113/http://www.conair.com/vagabond-compact-styler-p-899-1_7_69.html (Archived Sep. 26, 2011; printed on May 9, 2016).

Internet Archive Wayback Machine; BaBylissPro™ Nano Titanium Travel Dryer downloaded from http://web.archive.org/web/20131207171640/http://www.babylissus.com/product.php?pcID=206_153&product_id=119 (Archived Dec. 7, 2013; printed on May 9, 2016).

BEAUDY 800 Hair Dryer downloaded from http://www.aliexpress.com/item/BEAUDY-800-hairdryer-62dB-quiet-operation-hair-dryers-foldable-handle-and-light-compact-hairdryer/866171413.html?ws_ab_test=searchweb201556_7_79_78_77_80,searchweb201644_5,searchweb201560_9, site visited May 5,

2016. For the purposes of prosecution, please consider this reference publicly available before Apr. 1, 2016.

POVOS PH3803 Foldable Handle 3-Mode Hair Dryer Blower with Hang-up Hook downloaded from <http://www.aliexpress.com/item/POVOS-PH3803-Foldable-Handle-3-Mode-1200W-Hair-Dryer-Blower-with-Hang-up-Hook-professional-salons/1176014147.html>, site visited May 5, 2016. For the purposes of prosecution, please consider this reference publicly available before Apr. 1, 2016.

Diva Dynamica 3000 Pro Global downloaded from https://salonsupplies.co.uk/product/dynamica_3000_pro_global, site visited May 5, 2016. For the purposes of prosecution, please consider this reference publicly available before Apr. 1, 2016.

Bio Ionic iTools Travel Pro Dryer—Dual Voltage downloaded from <http://www.folica.com/tools/hair-dryers/bio-ionic-itools-travel-pro-dryer-dual-voltage>, site visited May 12, 2016. For the purposes of prosecution, please consider this reference publicly available before Apr. 1, 2016.

Internet Archive Wayback Machine; Parlux 385 PowerLight Ionic and Ceramic Hair Dryer downloaded from <http://web.archive.org/web/20141029064550/http://www.parluxus.com/parlux-385-powerlight-ionic-and-ceramic-hair-dryer-red> (Archived Oct. 29, 2014; printed on May 19, 2016).

Internet Archive Wayback Machine; Parlux 3800 Ionic and Ceramic Hair Dryer downloaded from <http://web.archive.org/web/20141029064359/http://www.parluxus.com/parlux-3800-ionic-and-ceramic-hair-dryer-red> (Archived Oct. 29, 2014; printed on May 20, 2016).

Internet Archive Wayback Machine; Parlux 3200 Compact Hair Dryer downloaded from <http://web.archive.org/web/20141028064452/http://www.parluxus.com/parlux-3200-compact-hair-dryer-red> (Archived Oct. 28, 2014; printed on May 20, 2016).

Internet Archive Wayback Machine; Bio Ionic PowerLight Pro-Dryer downloaded from <http://web.archive.org/web/20150607012608/http://bioionic.com/shop/powerlight-pro-dryer> (Archived Jun. 7, 2015; printed on May 20, 2016).

Internet Archive Wayback Machine; Express Ion Dry v.2 downloaded from <http://web.archive.org/web/20100918023240/http://www.paulmitchell.com/en-us/Products/ProTools/Dryers/Pages/ExpressIonDryV2.aspx> (Archived Sep. 18, 2010; printed on May 20, 2016).

Internet Archive Wayback Machine; Drybar Buttercup Blow Dryer downloaded from <http://web.archive.org/web/20121231014952/http://shop.thedrybar.com/products/buttercup-blowdryer> (Archived Dec. 31, 2012; printed on May 12, 2016).

* cited by examiner

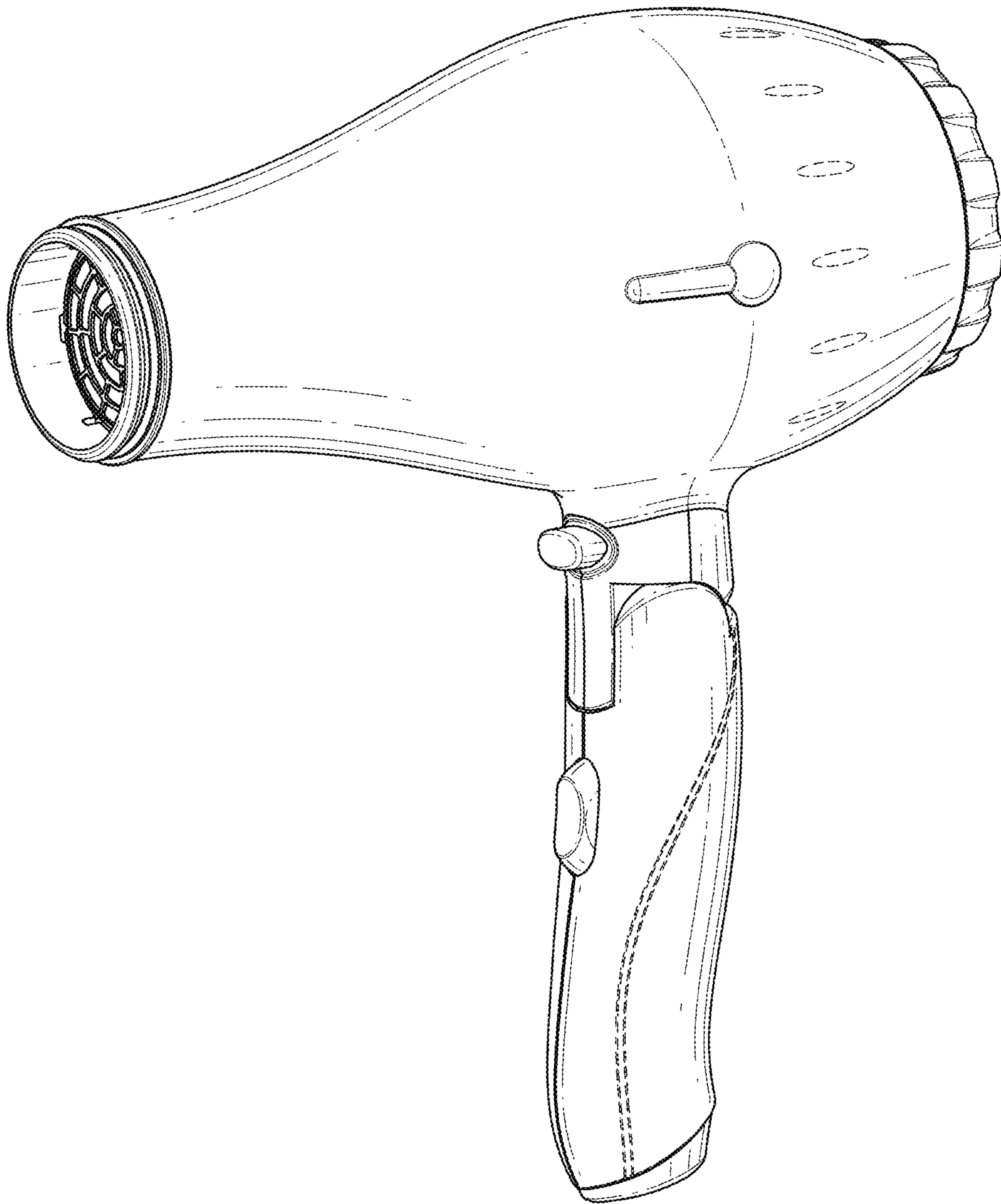


FIG. 1

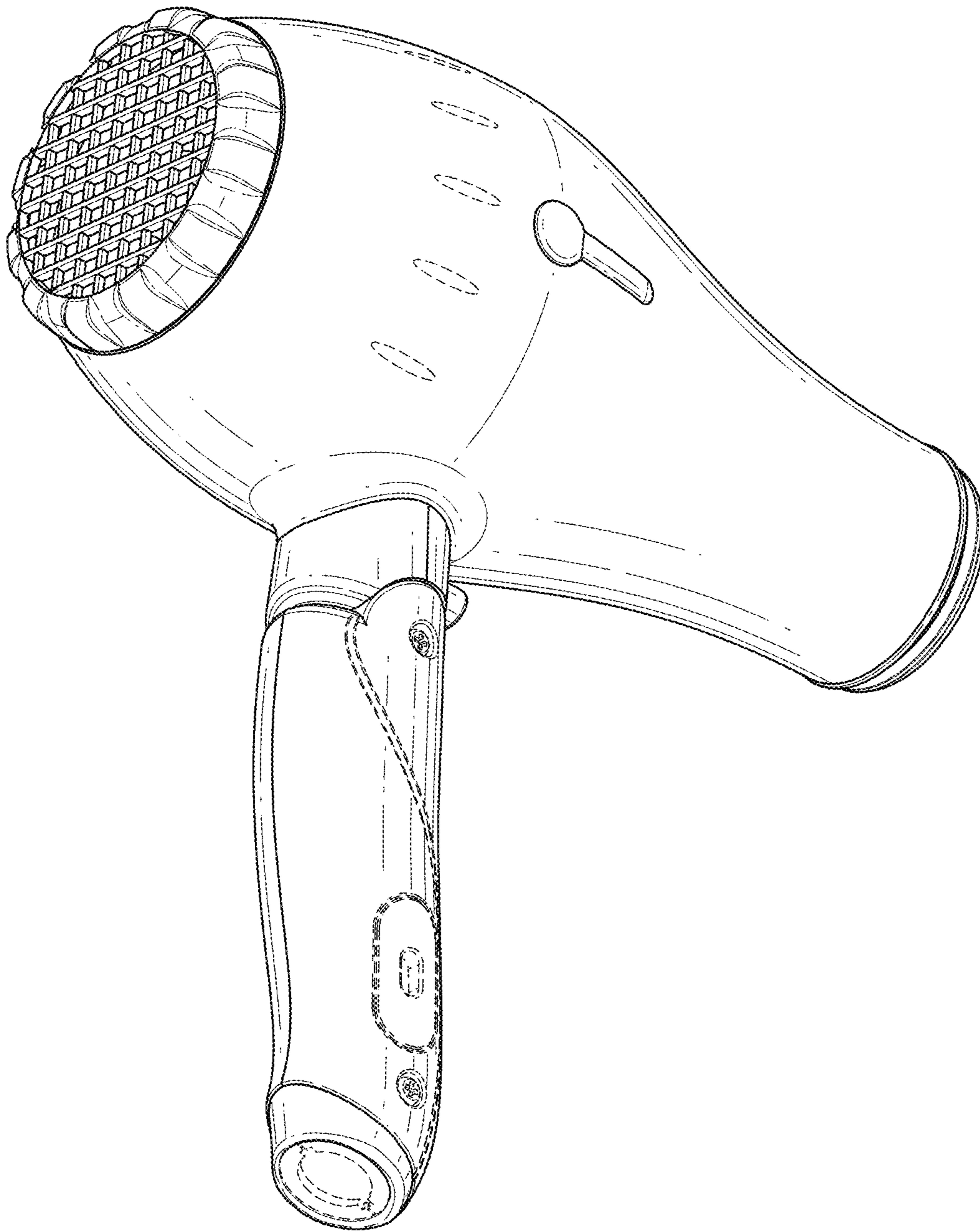


FIG. 2

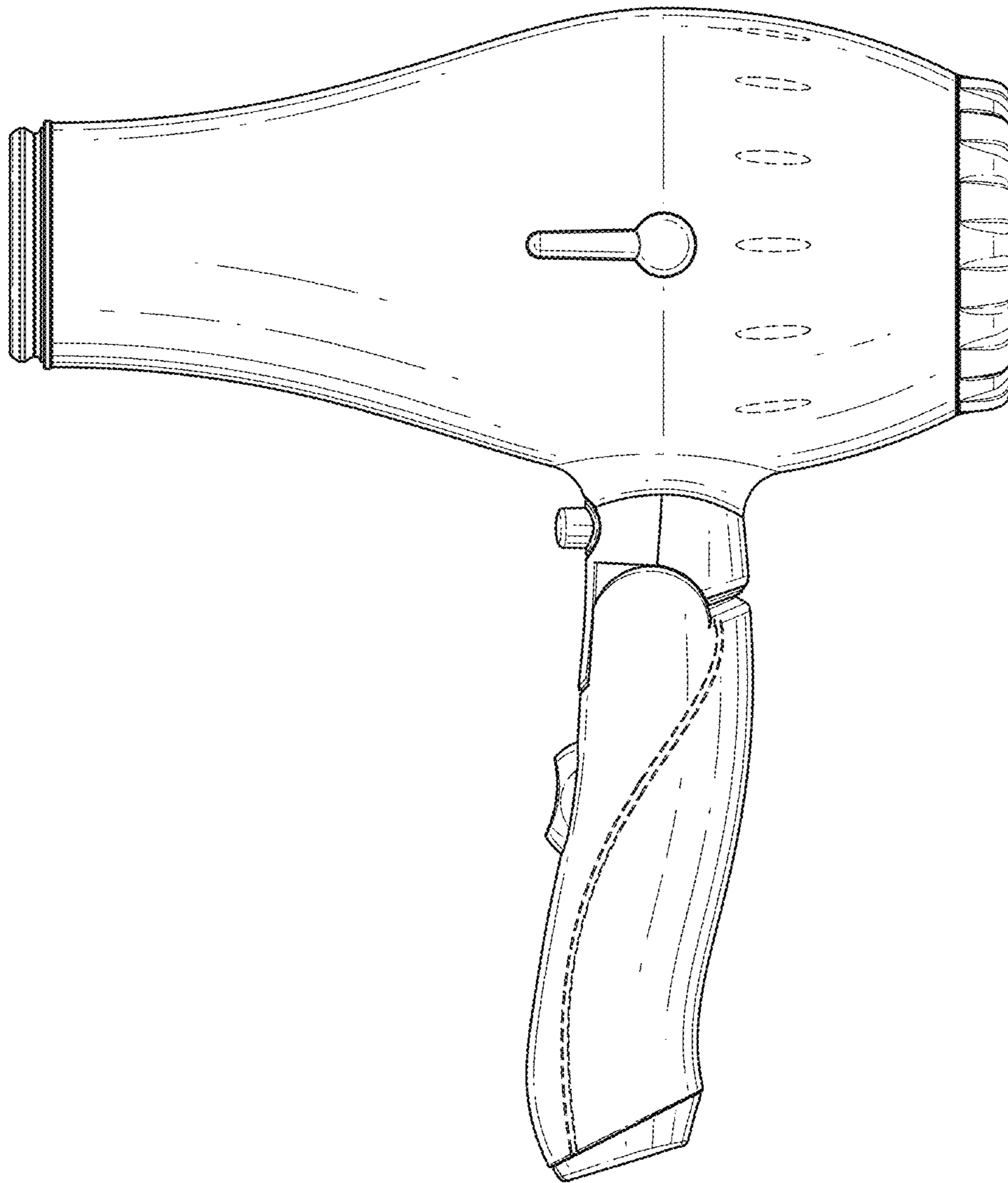


FIG. 3

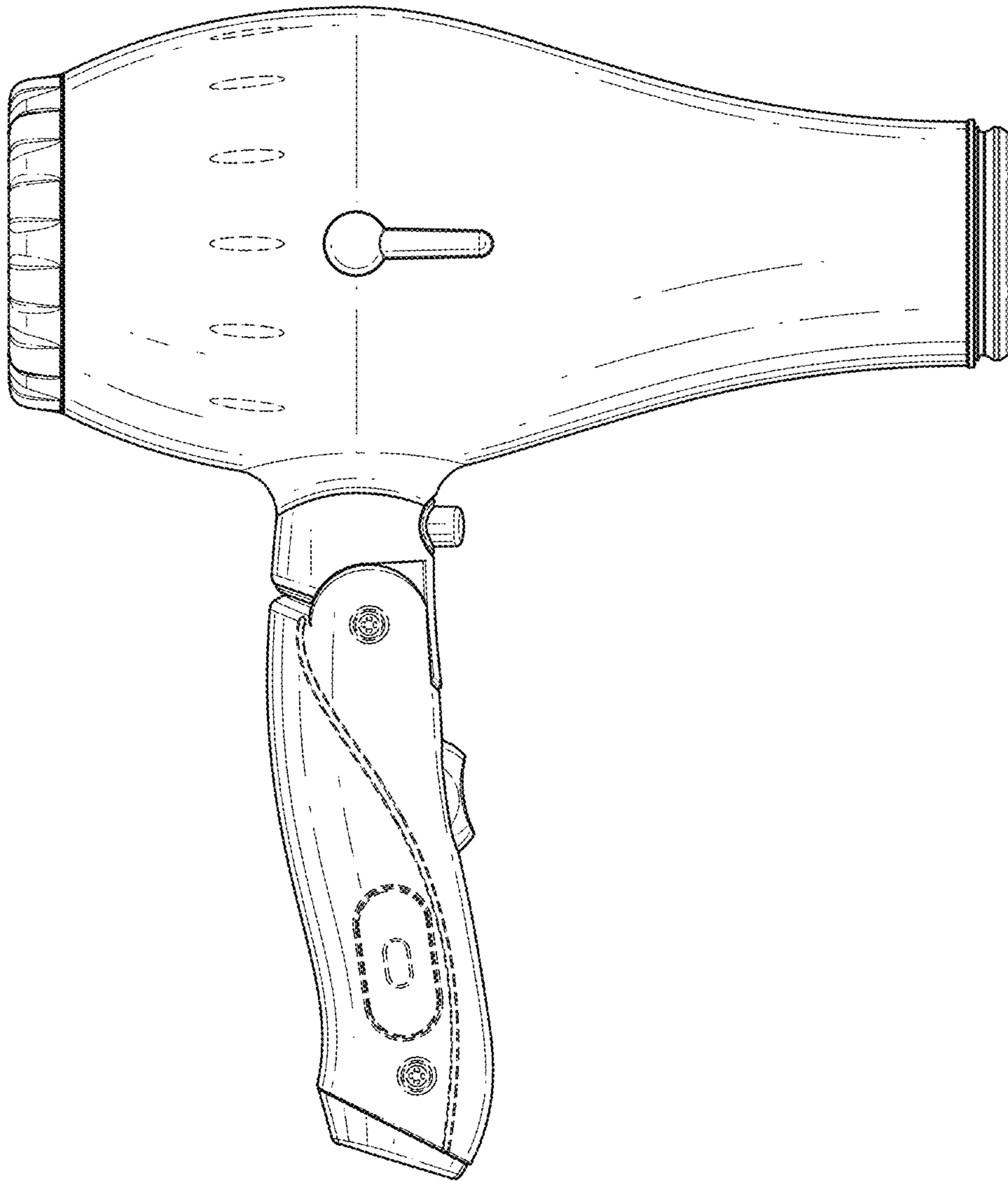


FIG. 4

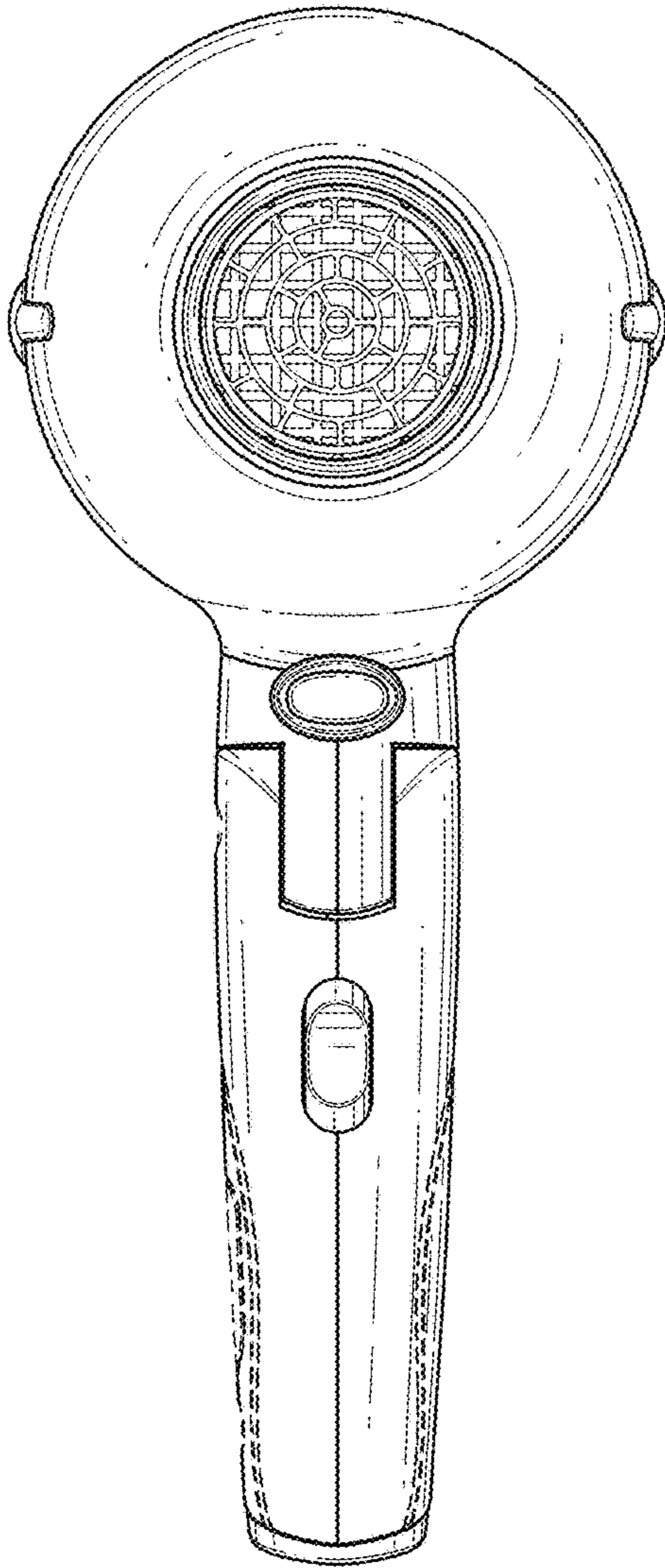


FIG. 5

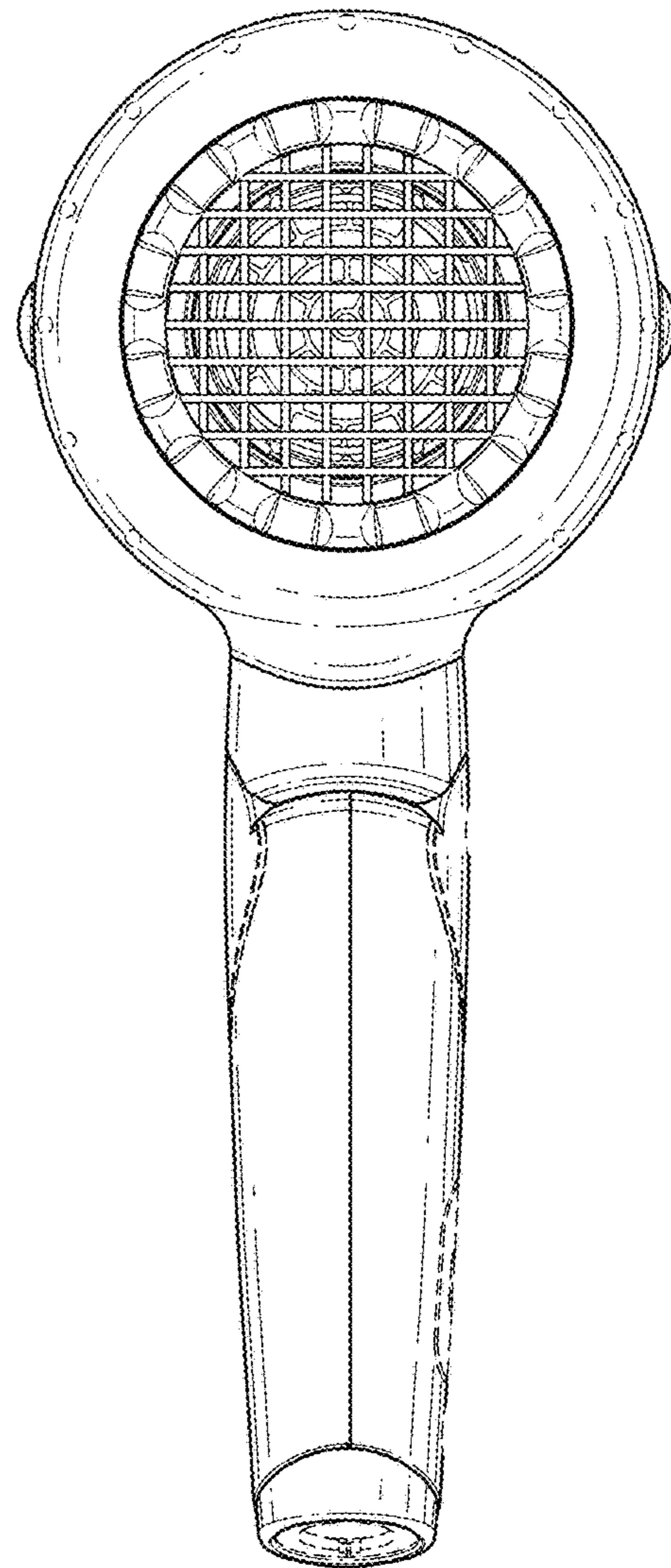


FIG. 6

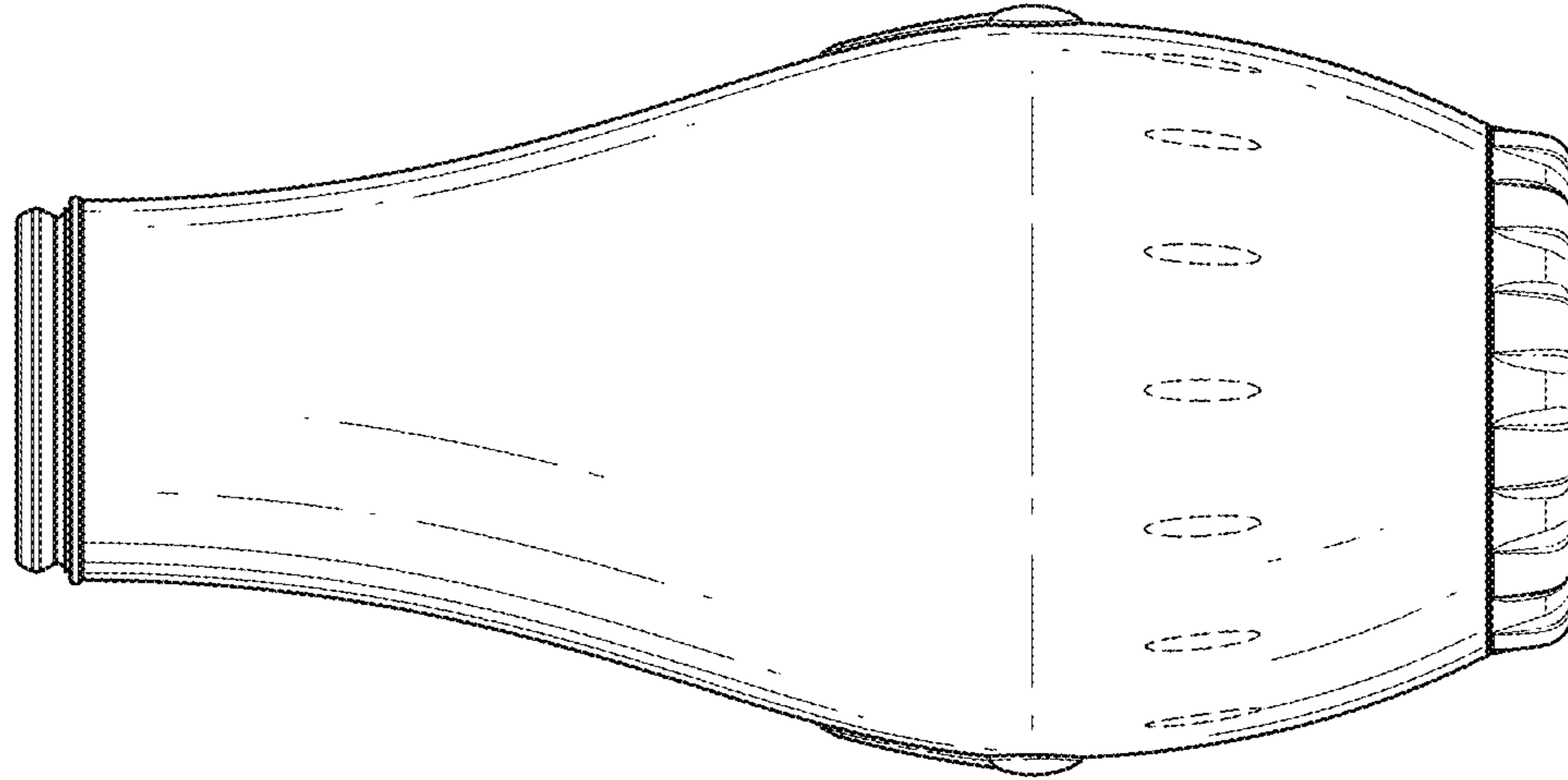


FIG. 7

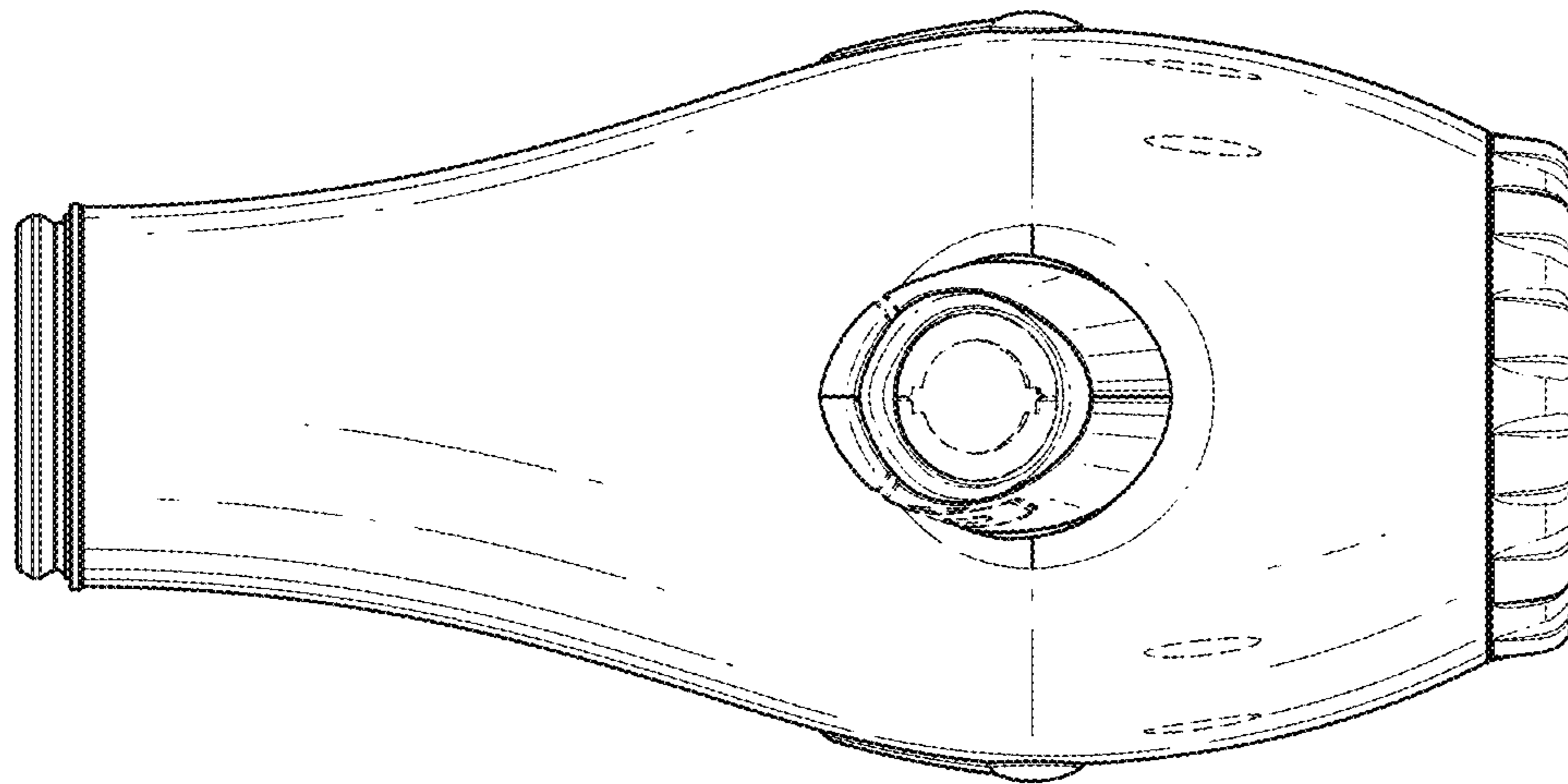


FIG. 8

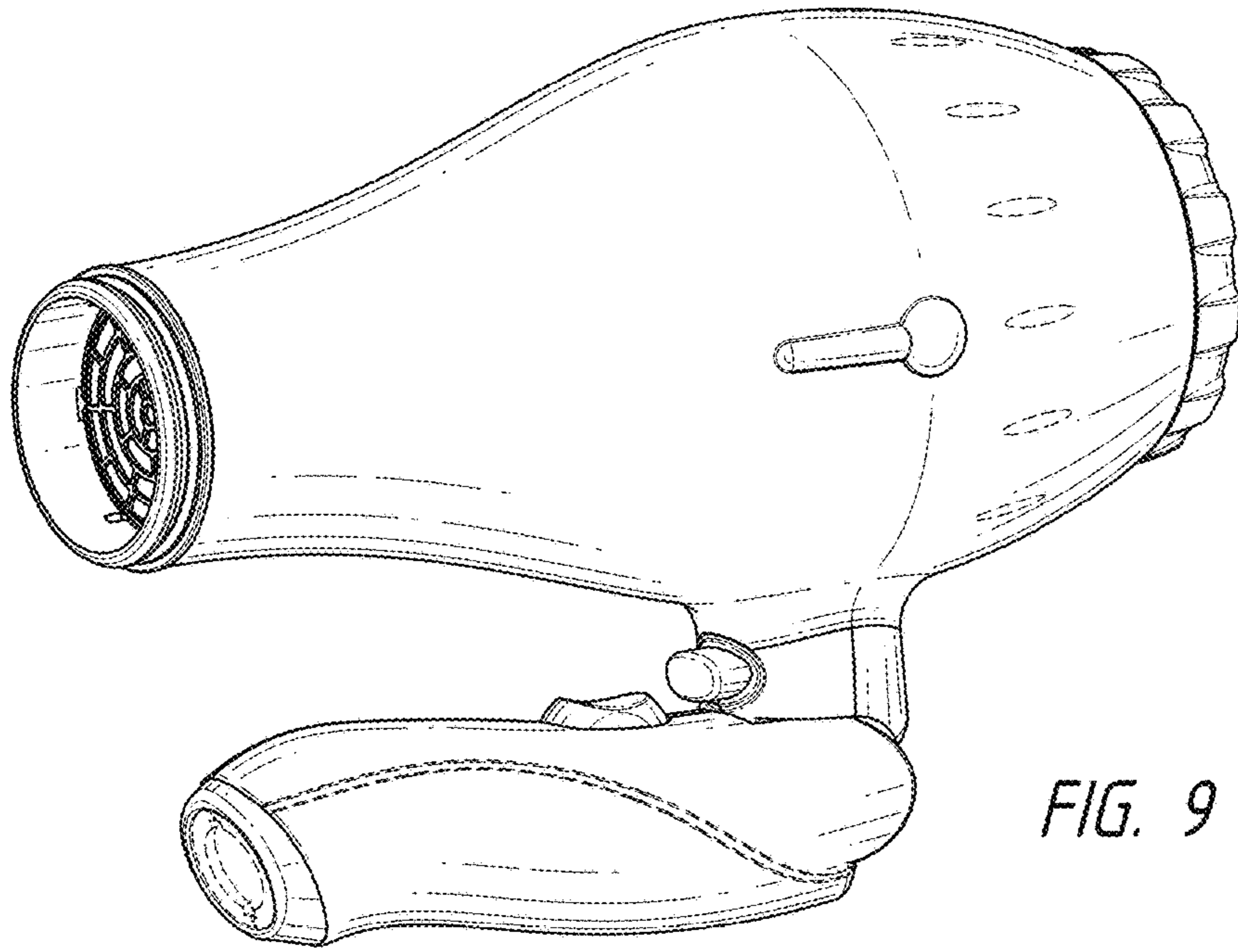


FIG. 9

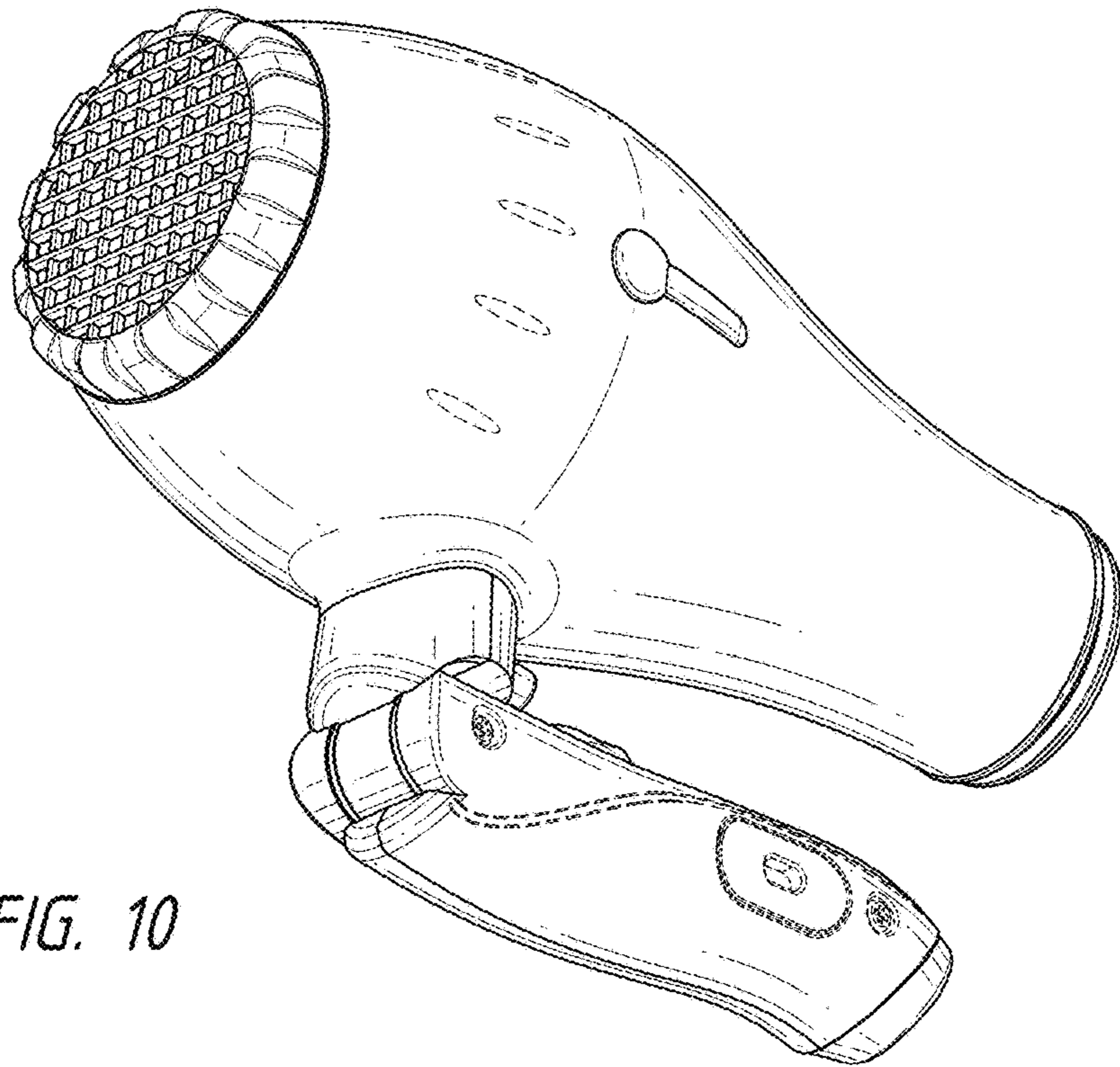


FIG. 10