



US00D810350S

(12) **United States Design Patent** (10) **Patent No.:** **US D810,350 S**
Sempé (45) **Date of Patent:** **** Feb. 13, 2018**

(54) **LAMP STAND**

(71) Applicant: **PHILIPS LIGHTING HOLDING B.V.**, Eindhoven (NL)

(72) Inventor: **Inga Sempé**, Paris (FR)

(73) Assignee: **PHILIPS LIGHTING HOLDING B.V.**, Eindhoven (NL)

(**) Term: **15 Years**

(21) Appl. No.: **35/501,839**

(22) Filed: **Sep. 28, 2016**

(80) **Hague Agreement Data**

Int. Filing Date: **Sep. 28, 2016**

Int. Reg. No.: **DM/093110**

Int. Reg. Date: **Sep. 28, 2016**

Int. Reg. Pub. Date: **Nov. 4, 2016**

(30) **Foreign Application Priority Data**

Apr. 6, 2016 (EM) 003056985-0001

(51) **LOC (11) Cl.** **26-03**

(52) **U.S. Cl.**
USPC **D26/104**

(58) **Field of Classification Search**
USPC D26/24, 93, 104, 105, 106
CPC .. F21S 6/00; F21S 6/002; F21V 21/00; F21V 21/02; F21V 23/04; F21W 2121/00; F21W 2131/20; F21W 2131/30
See application file for complete search history.

(56) **References Cited**

U.S. PATENT DOCUMENTS

D125,312 S *	2/1941	Logan	D26/88
2,271,836 A *	2/1942	Francis	F21V 3/00
				362/344
2,339,385 A *	1/1944	Dupler	F21V 17/00
				362/363
3,336,474 A *	8/1967	Leibl	F21V 31/005
				248/343
3,379,872 A *	4/1968	Devine, Jr.	F21S 8/088
				362/443
D231,679 S *	5/1974	Keller	D26/87
D620,178 S *	7/2010	Sabernig	D26/84

* cited by examiner

Primary Examiner — Zenia Bennett

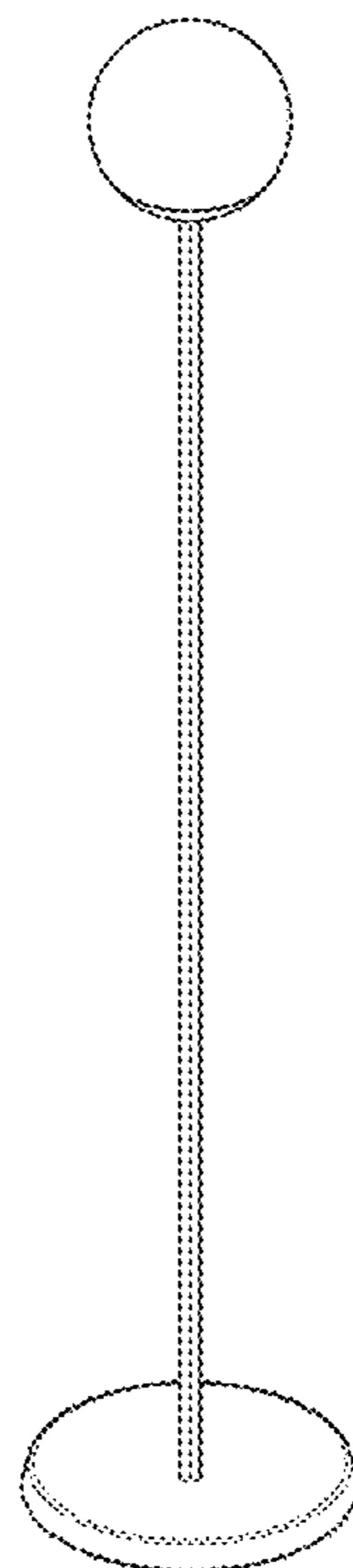
(57) **CLAIM**

The ornamental design for a lamp stand, as shown and described.

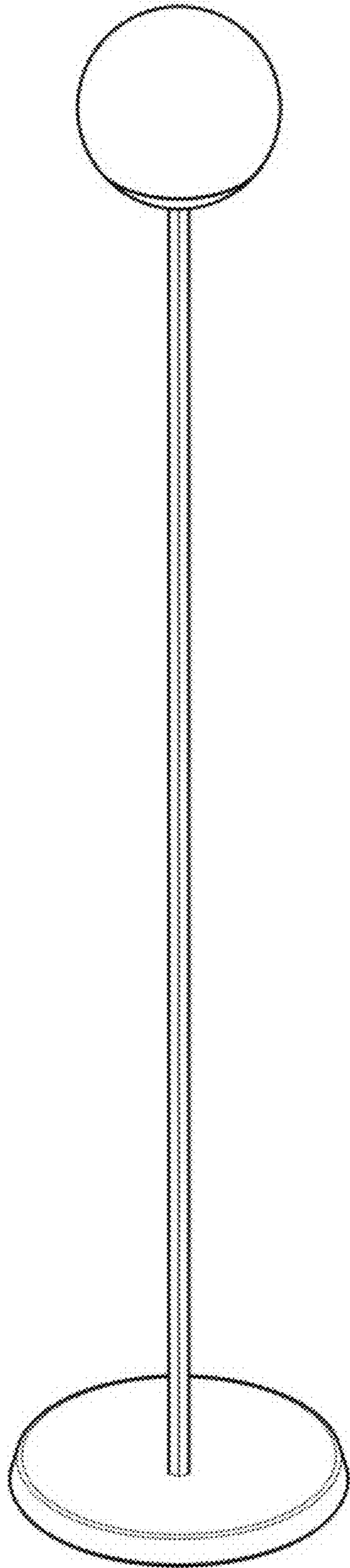
DESCRIPTION

- 1. Lamp stand
- 1.1 : Perspective
- 1.2 : Front
- 1.3 : Back
- 1.4 : Right
- 1.5 : Left
- 1.6 : Top
- 1.7 : Bottom

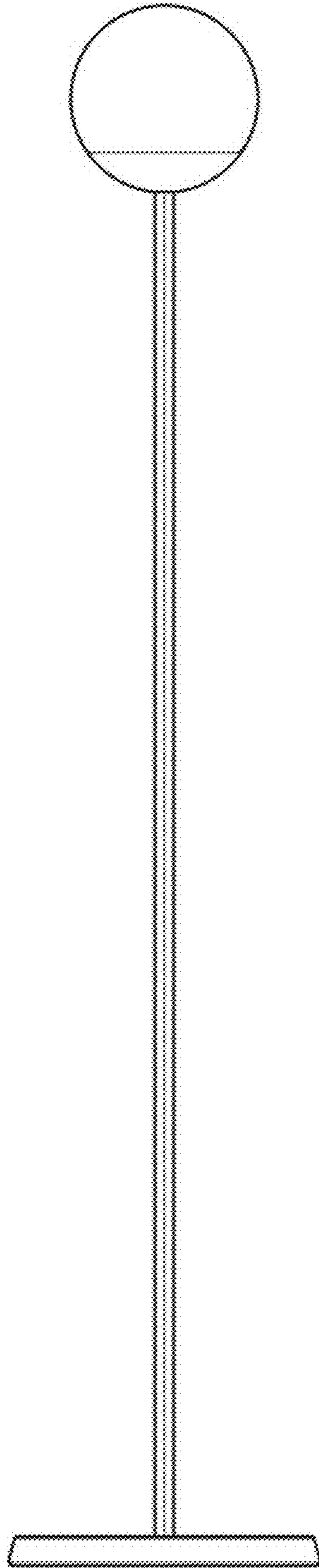
1 Claim, 7 Drawing Sheets



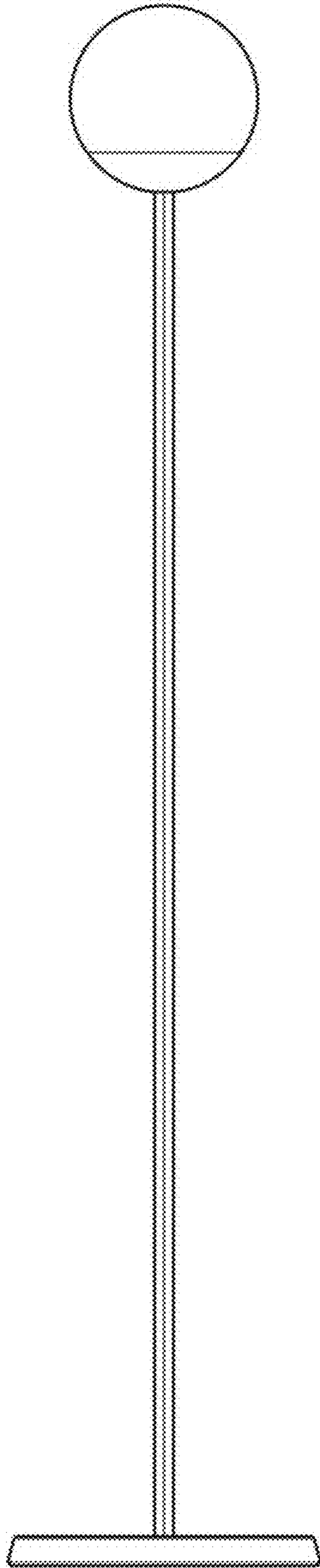
1.1



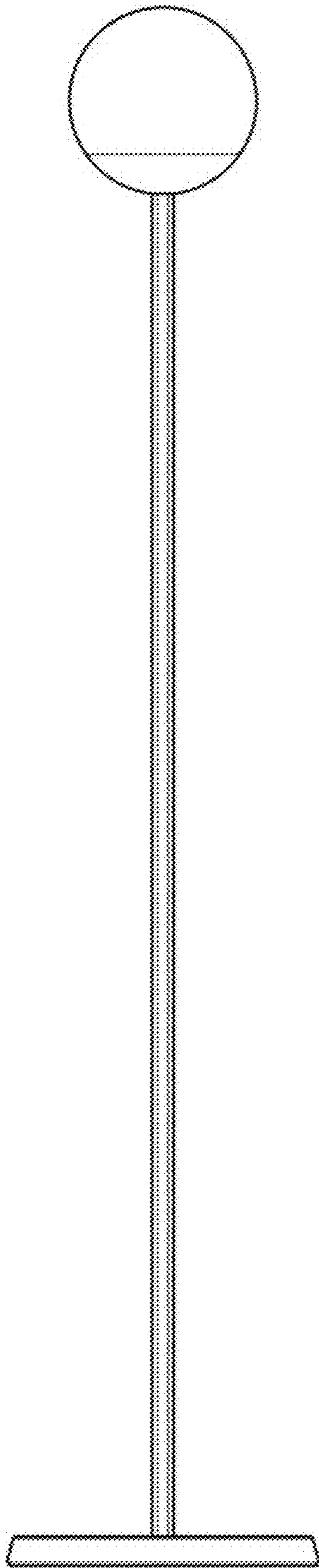
1.2



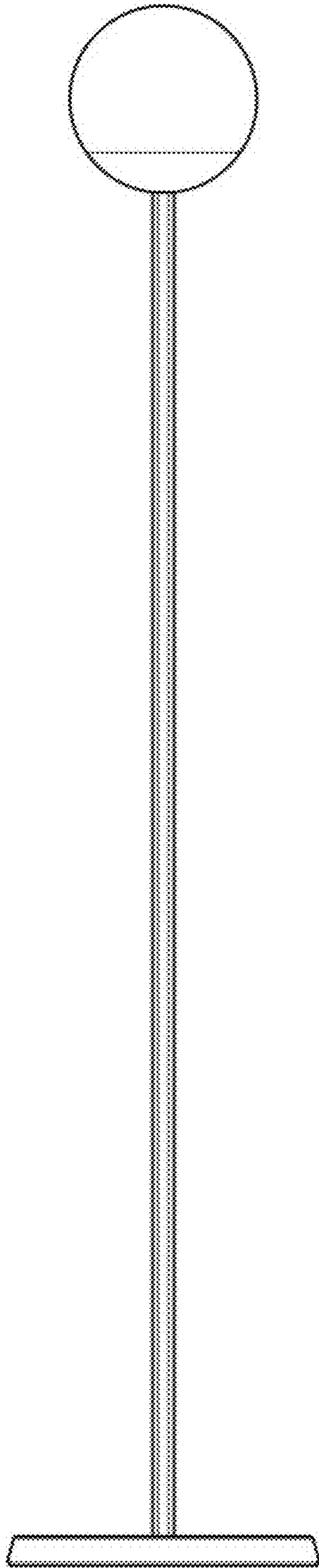
1.3



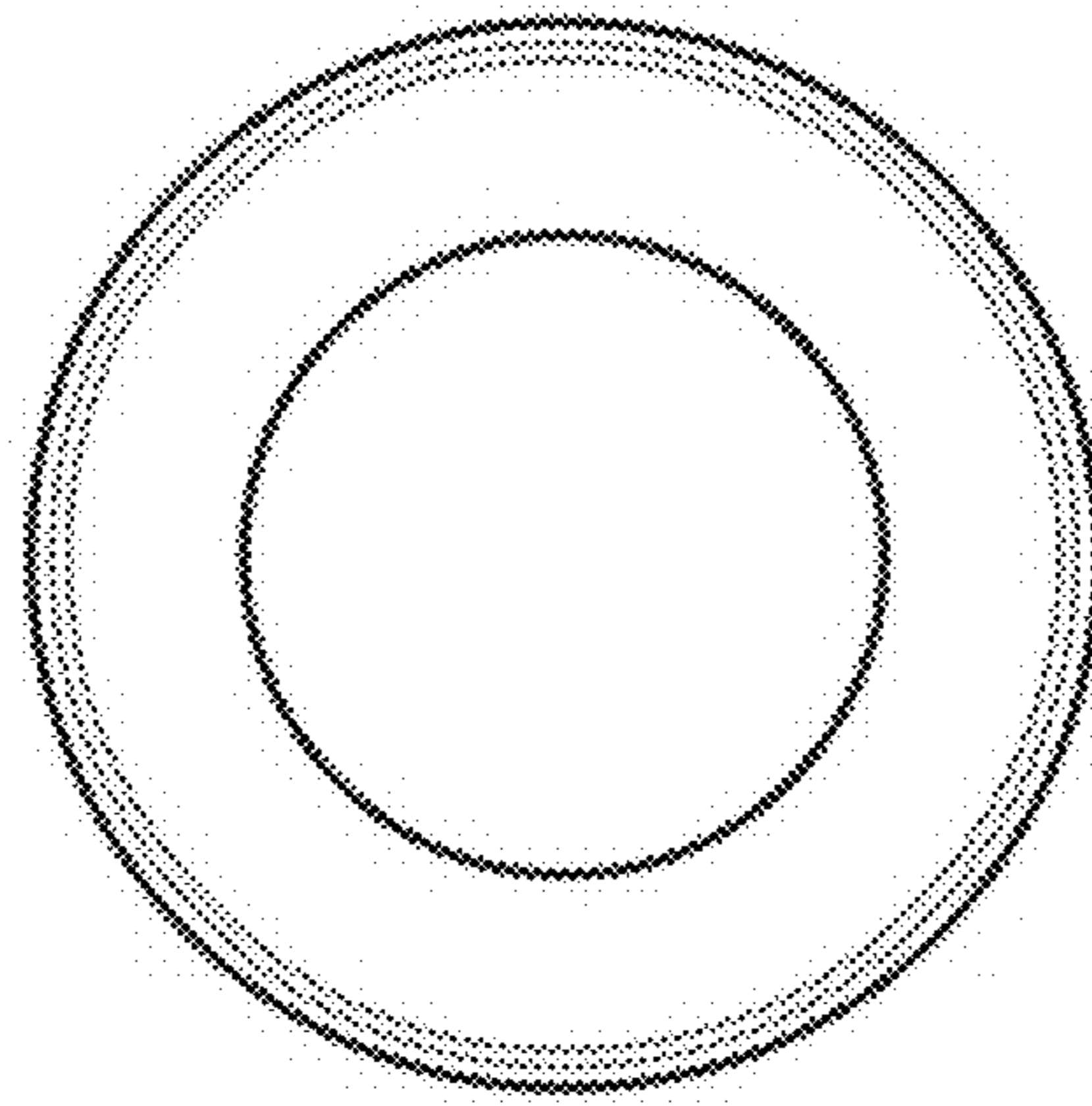
1.4



1.5



1.6



1.7

