



US00D810348S

(12) **United States Design Patent** (10) **Patent No.:** **US D810,348 S**
Garrett et al. (45) **Date of Patent:** **** Feb. 13, 2018**

(54) **DUAL LIGHTGUIDE LIGHT FIXTURE**

(71) Applicants: **Bradley Garrett**, Evergreen, CO (US);
Eric DiFelice, Aurora, CO (US); **Adam Foy**, Parker, CO (US); **John Leon**, Parker, CO (US)

(72) Inventors: **Bradley Garrett**, Evergreen, CO (US);
Eric DiFelice, Aurora, CO (US); **Adam Foy**, Parker, CO (US); **John Leon**, Parker, CO (US)

(73) Assignee: **Cooper Technologies Company**, Houston, TX (US)

(**) Term: **15 Years**

(21) Appl. No.: **29/556,118**

(22) Filed: **Feb. 26, 2016**

(51) **LOC (11) Cl.** **26-03**

(52) **U.S. Cl.**
USPC **D26/90**; D26/76

(58) **Field of Classification Search**
USPC D26/72, 76, 88, 90, 118, 120
CPC ... F21V 7/04; F21S 8/061; F21S 8/063; F21S 8/068; F21K 9/272; F21K 9/61
See application file for complete search history.

(56) **References Cited**

U.S. PATENT DOCUMENTS

D124,602 S *	1/1941	Dreyfuss	D26/109
D394,727 S *	5/1998	Larkin	D26/107
D565,778 S *	4/2008	Pedersen	D26/90
D616,138 S *	5/2010	Lasthein	D26/76
D632,823 S *	2/2011	Kong	D26/76
D671,258 S *	11/2012	Ferrier	D26/120
D703,361 S *	4/2014	Kondou	D26/90
D704,878 S *	5/2014	Wilson	D26/76
D716,489 S *	10/2014	O'Leary	D26/90
D738,033 S *	9/2015	Wilcox	D26/120
D738,034 S *	9/2015	Wilcox	D26/120

D747,539 S *	1/2016	Santoro	D26/120
D749,776 S *	2/2016	Wilcox	D26/120
2011/0007518 A1	1/2011	de Lamberterie		
2012/0069600 A1	3/2012	Lin et al.		
2012/0169967 A1	7/2012	Han et al.		
2012/0328242 A1	12/2012	Hesse		
2013/0050584 A1	2/2013	Kaihotsu		
2013/0077341 A1	3/2013	Kawai et al.		
2013/0208495 A1*	8/2013	Dau	F21V 7/0008 362/551
2014/0340867 A1	11/2014	Kobayashi et al.		
2014/0347885 A1*	11/2014	Wilcox	F21S 8/061 362/612

(Continued)

OTHER PUBLICATIONS

LEDs magazine article "Eaton delivers curved LED-lit..scheme".
Published Mar. 15, 2017. (6 pages).*

Primary Examiner — Clare E Heflin

(74) *Attorney, Agent, or Firm* — King & Spalding LLP

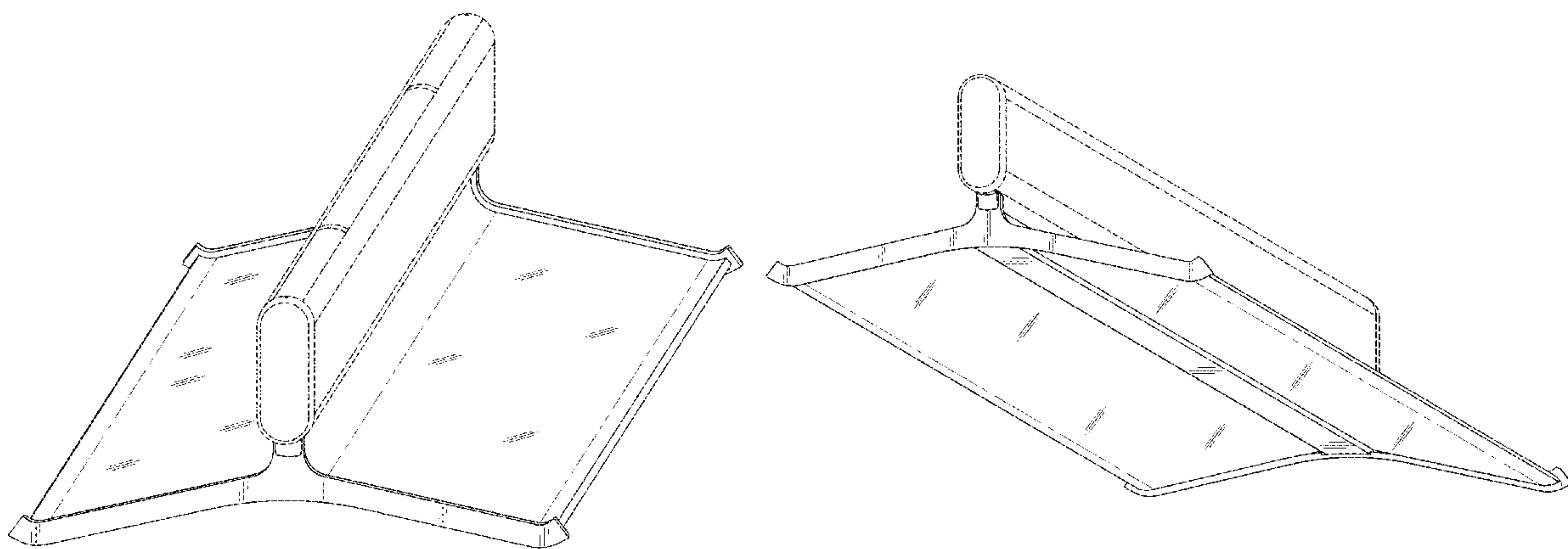
(57) **CLAIM**

The ornamental design for a dual lightguide light fixture, as shown and described.

DESCRIPTION

FIG. 1 is a top perspective view of a dual lightguide light fixture, showing our new design;
FIG. 2 is a bottom perspective view thereof;
FIG. 3 is a bottom view thereof;
FIG. 4 is a top view thereof;
FIG. 5 is a right side view thereof;
FIG. 6 is a left side view thereof;
FIG. 7 is a front view thereof; and,
FIG. 8 is a rear view thereof.
The broken lines shown in the figures illustrate portions of the dual lightguide light fixture that form no part of the claimed design.

1 Claim, 5 Drawing Sheets



(56)

References Cited

U.S. PATENT DOCUMENTS

2015/0138829 A1* 5/2015 Jang G02B 6/0016
362/606
2015/0168626 A1 6/2015 Schinagl
2015/0177439 A1* 6/2015 Durkee G02B 6/0021
362/555
2016/0161659 A1 6/2016 Minami et al.
2017/0082252 A1* 3/2017 Casement F21S 8/026
2017/0159913 A1 6/2017 Horvath et al.
2017/0184284 A1* 6/2017 Van Winkle F21V 21/008

* cited by examiner

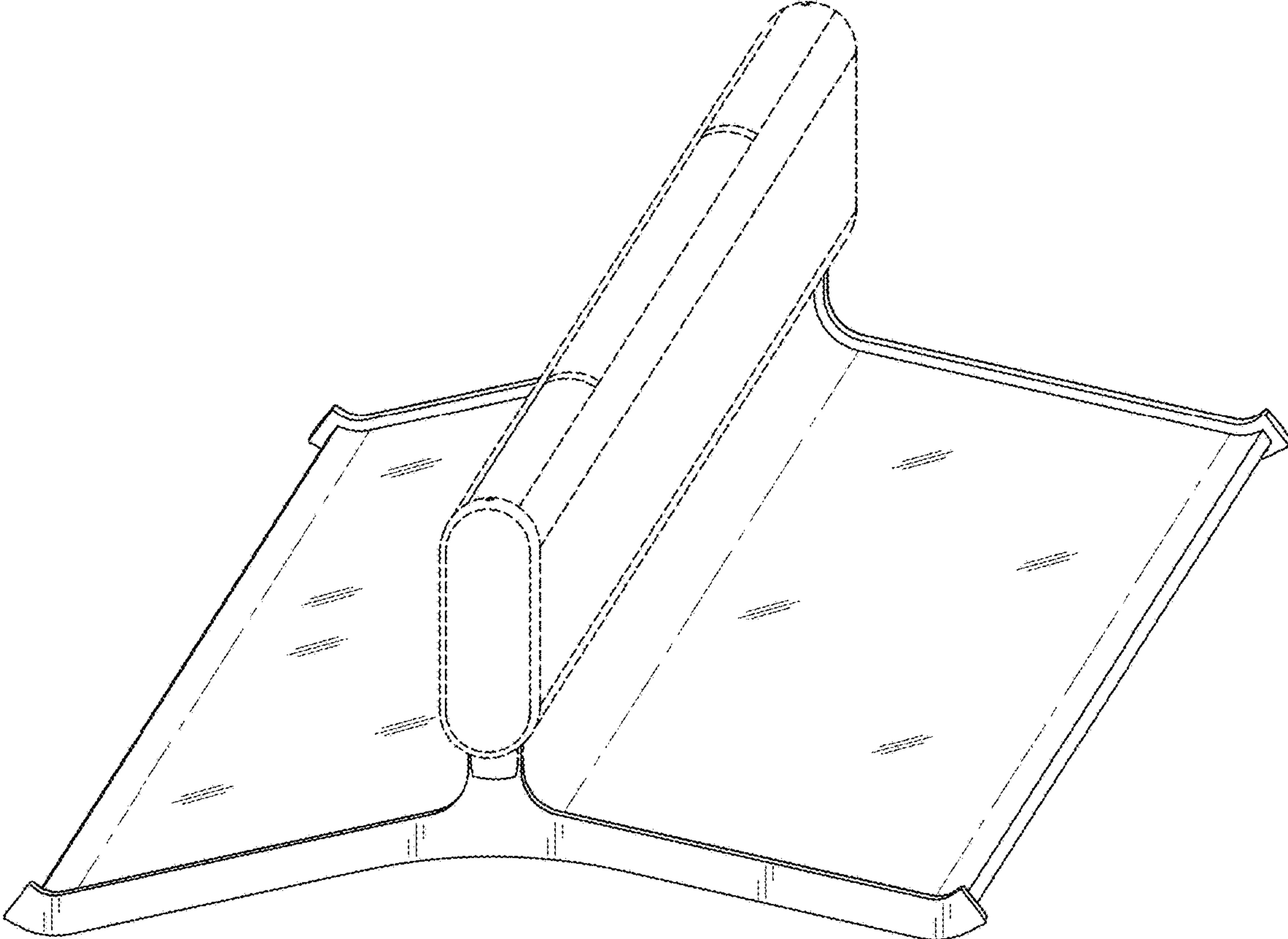


FIG. 1

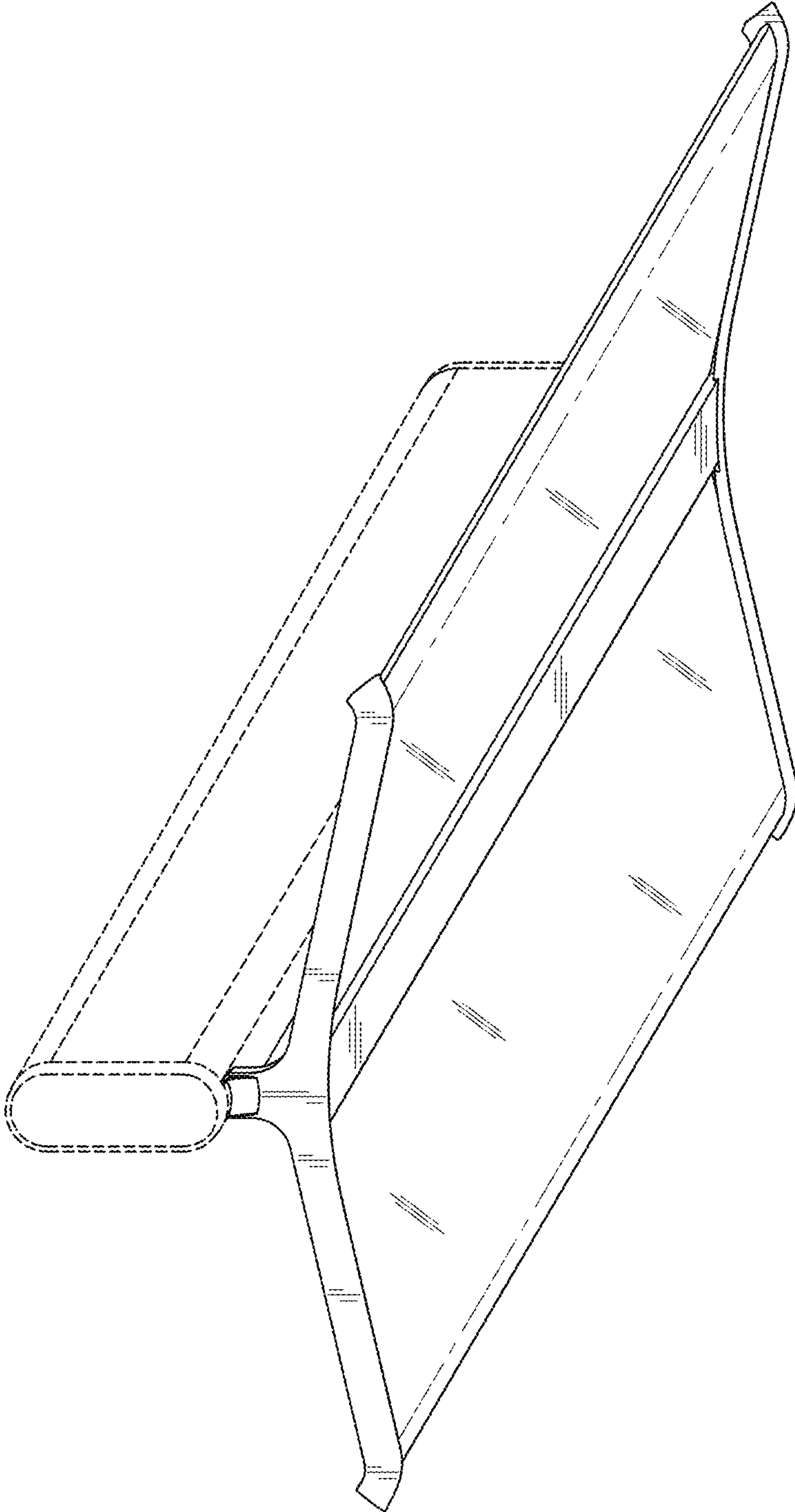


FIG. 2

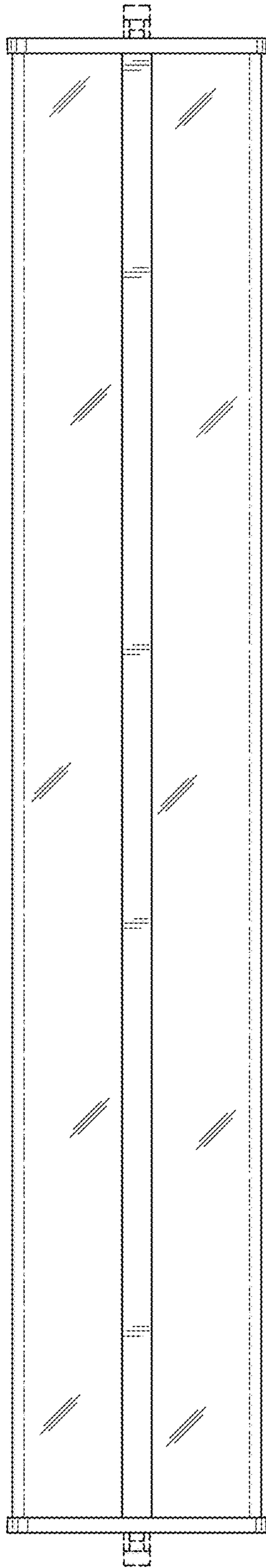


FIG. 3

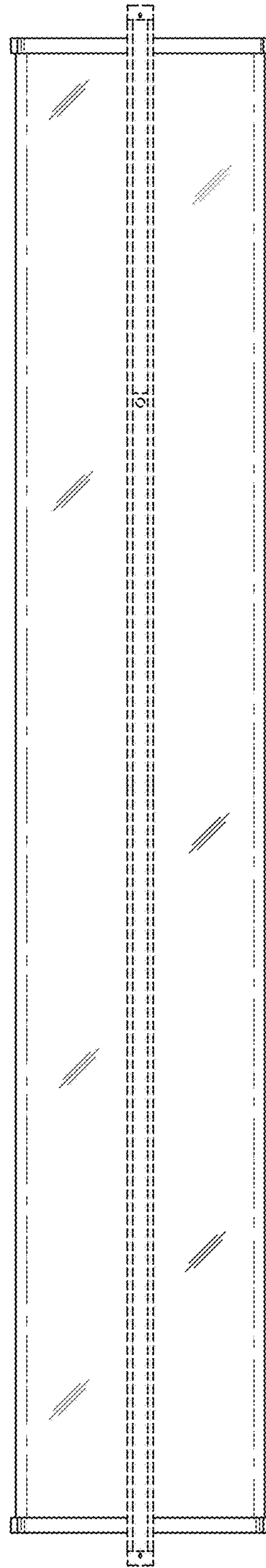


FIG. 4

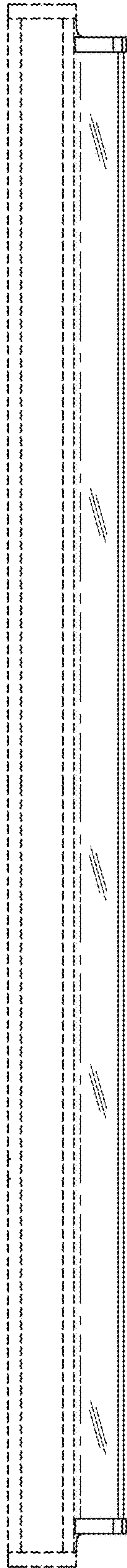


FIG. 5

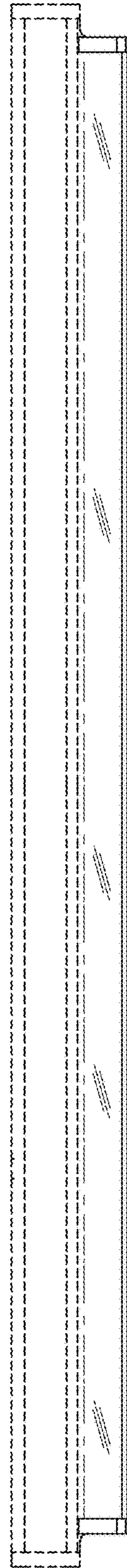


FIG. 6

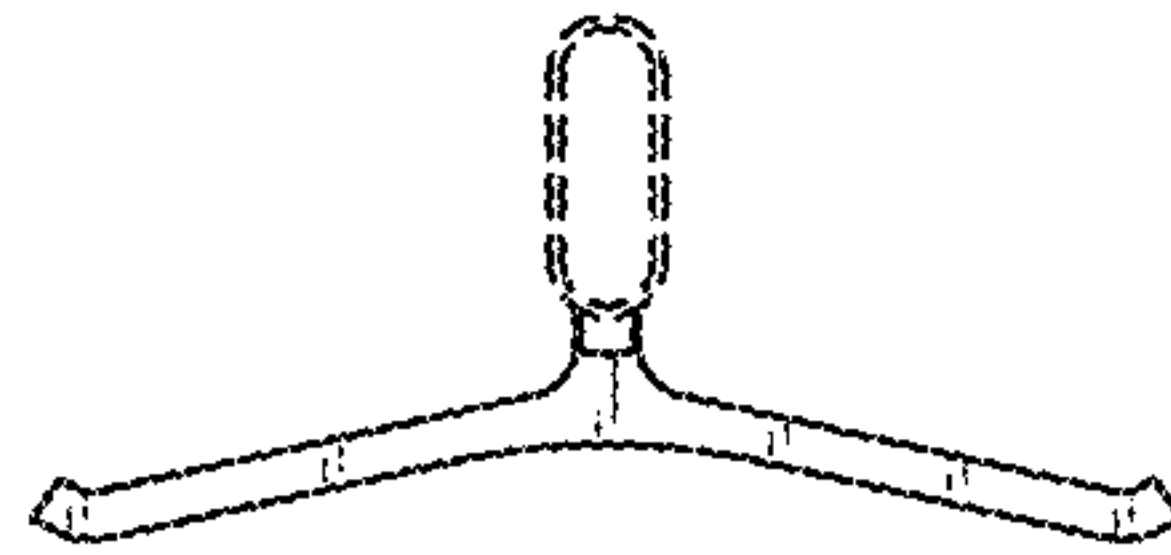


FIG. 7

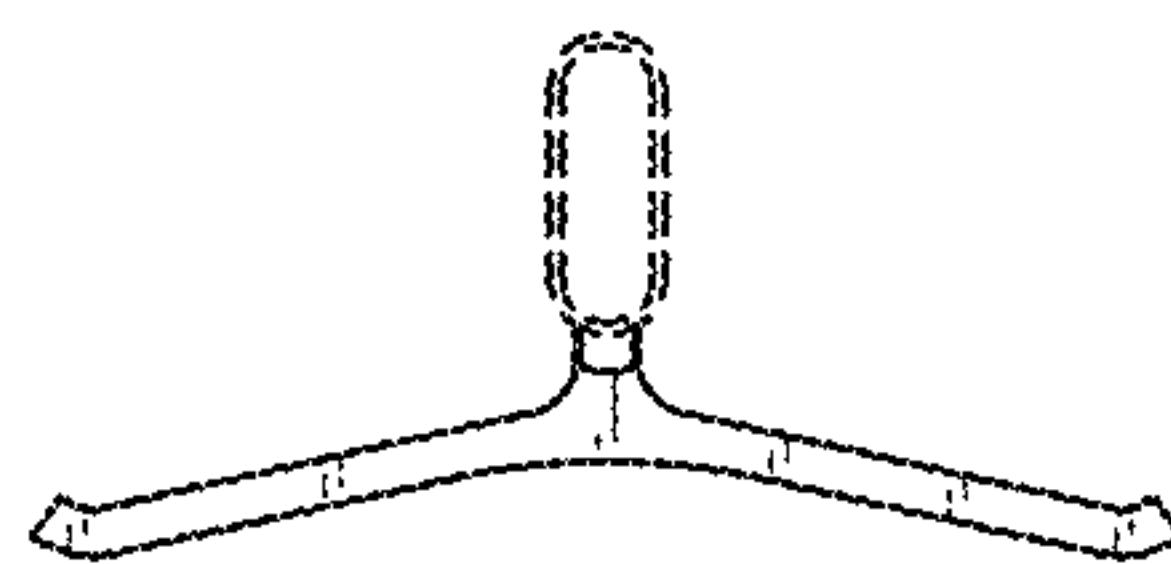


FIG. 8