



US00D810347S

(12) **United States Design Patent**
Lee et al.

(10) **Patent No.:** **US D810,347 S**
(45) **Date of Patent:** **** Feb. 13, 2018**

(54) **LIGHTING FIXTURE**

- (71) Applicant: **Ladies & Gentlemen Studio, Inc.**,
Brooklyn, NY (US)
- (72) Inventors: **Jean Hui Chun Lee**, Brooklyn, NY
(US); **Dylan Davis**, Brooklyn, NY (US)
- (73) Assignee: **Ladies & Gentlemen Studio, Inc.**,
Brooklyn, NY (US)
- (**) Term: **15 Years**
- (21) Appl. No.: **29/603,613**
- (22) Filed: **May 11, 2017**

Related U.S. Application Data

- (62) Division of application No. 29/573,084, filed on Aug. 2, 2016, now Pat. No. Des. 790,106, which is a division of application No. 29/524,770, filed on Apr. 23, 2015, now Pat. No. Des. 766,491.
- (51) **LOC (11) Cl.** **26-03**
- (52) **U.S. Cl.**
USPC **D26/88**; D26/84
- (58) **Field of Classification Search**
USPC D26/72, 80, 81, 84, 85, 86, 88, 90, 91,
D26/118, 138, 142
CPC F21S 8/043; F21S 8/046; F21S 8/06; F21S
8/061; F21S 8/063; F21S 8/065; F21S
8/066; F21S 8/068; F21V 21/008; F21V
21/02; F21V 21/03; F21V 21/112; F21V
21/38
See application file for complete search history.

(56) **References Cited**

U.S. PATENT DOCUMENTS

D29,366 S *	9/1898	MacIntire	D26/88
D56,163 S *	8/1920	Holloway	D26/88
D119,203 S *	2/1940	Krueger	D26/88
3,042,742 A *	7/1962	Foster	F21V 21/16 174/69
D207,414 S *	4/1967	Lum et al.	D26/67
3,766,375 A *	10/1973	Edman	F21V 5/00 362/309
D232,050 S *	7/1974	Gore et al.	D26/88
D588,301 S *	3/2009	Sabernig	D26/88
D641,096 S *	7/2011	Markle	D26/88
D766,491 S *	9/2016	Lee	D26/88
D788,346 S *	5/2017	Hendifar	D26/84
D790,106 S *	6/2017	Lee	D26/84
D797,348 S *	9/2017	Sonneman	D26/86

* cited by examiner

Primary Examiner — Clare E Heflin

(74) *Attorney, Agent, or Firm* — Timothy W. Menasco,
Esq.; Harter Secrest & Emery LLP

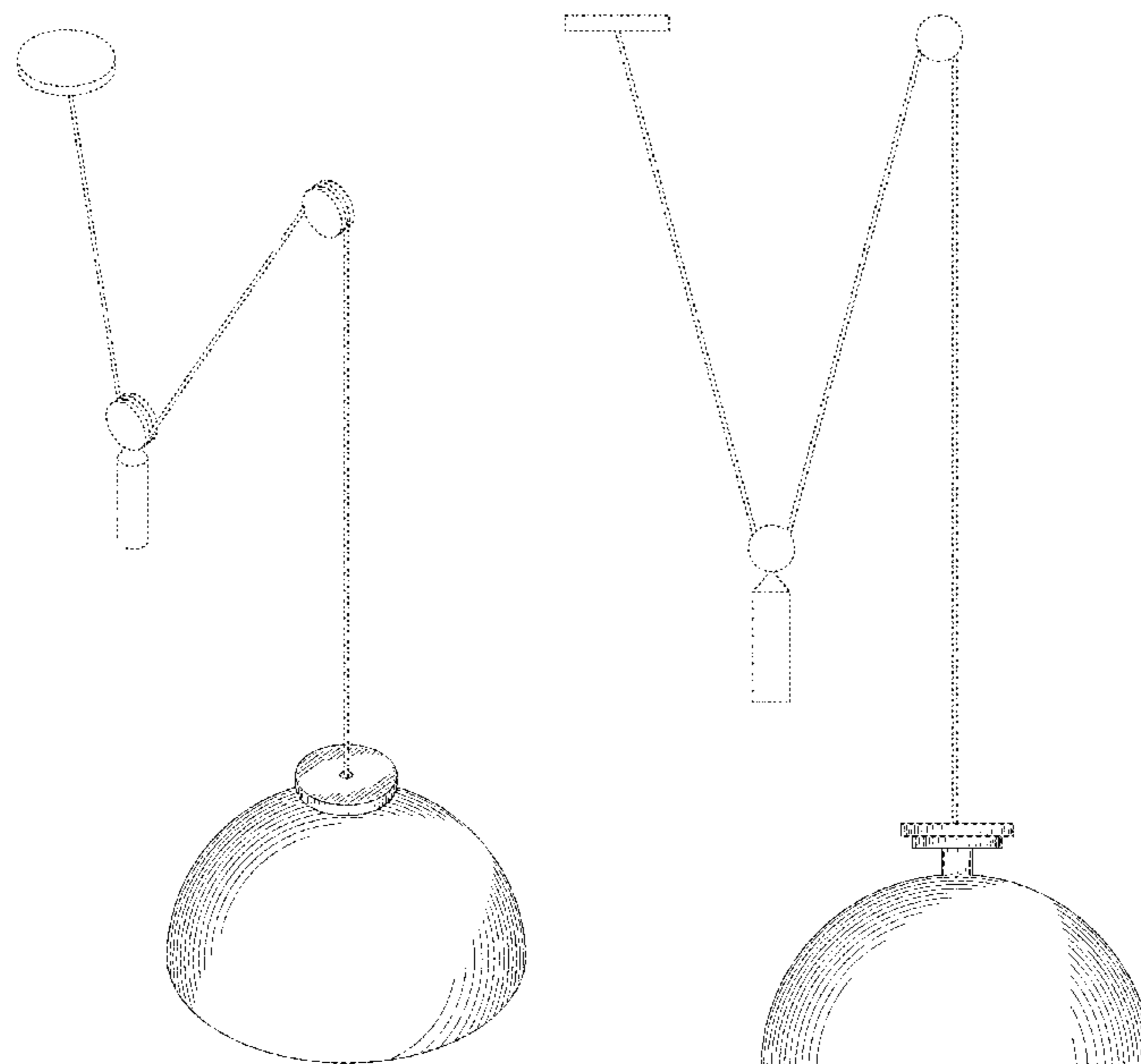
(57) **CLAIM**

The ornamental design for a lighting fixture, as shown and described.

DESCRIPTION

FIG. 1 is a front perspective view of a lighting fixture in accordance with the present invention;
 FIG. 2 is a front view thereof;
 FIG. 3 is a right side view thereof;
 FIG. 4 is a rear view thereof;
 FIG. 5 is a left side view thereof;
 FIG. 6 is a top view thereof; and,
 FIG. 7 is a bottom view thereof.
 The broken lines shown on the drawings depict portions of the lighting fixture that form no part of the claimed design.

1 Claim, 6 Drawing Sheets



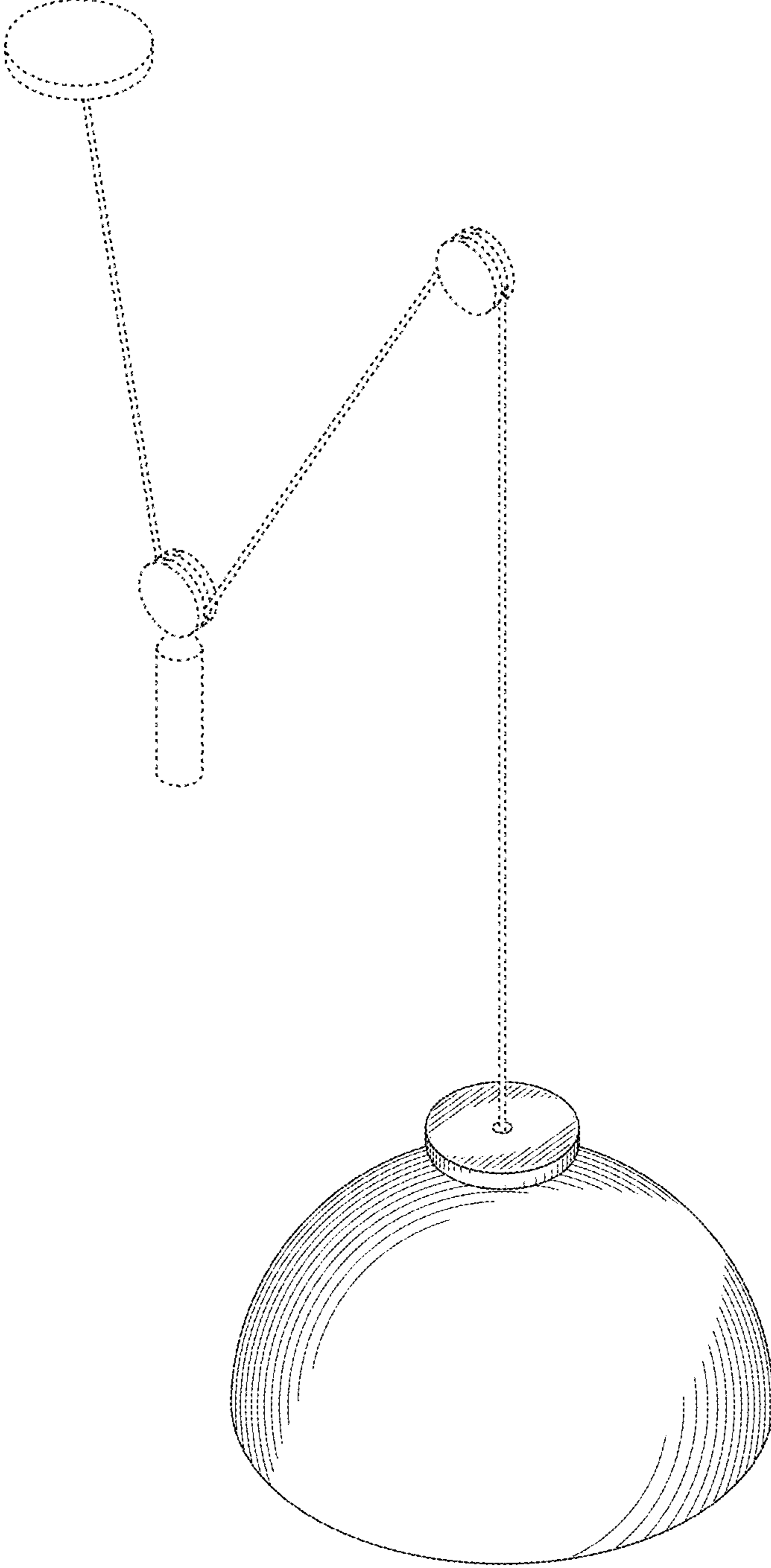


FIG. 1

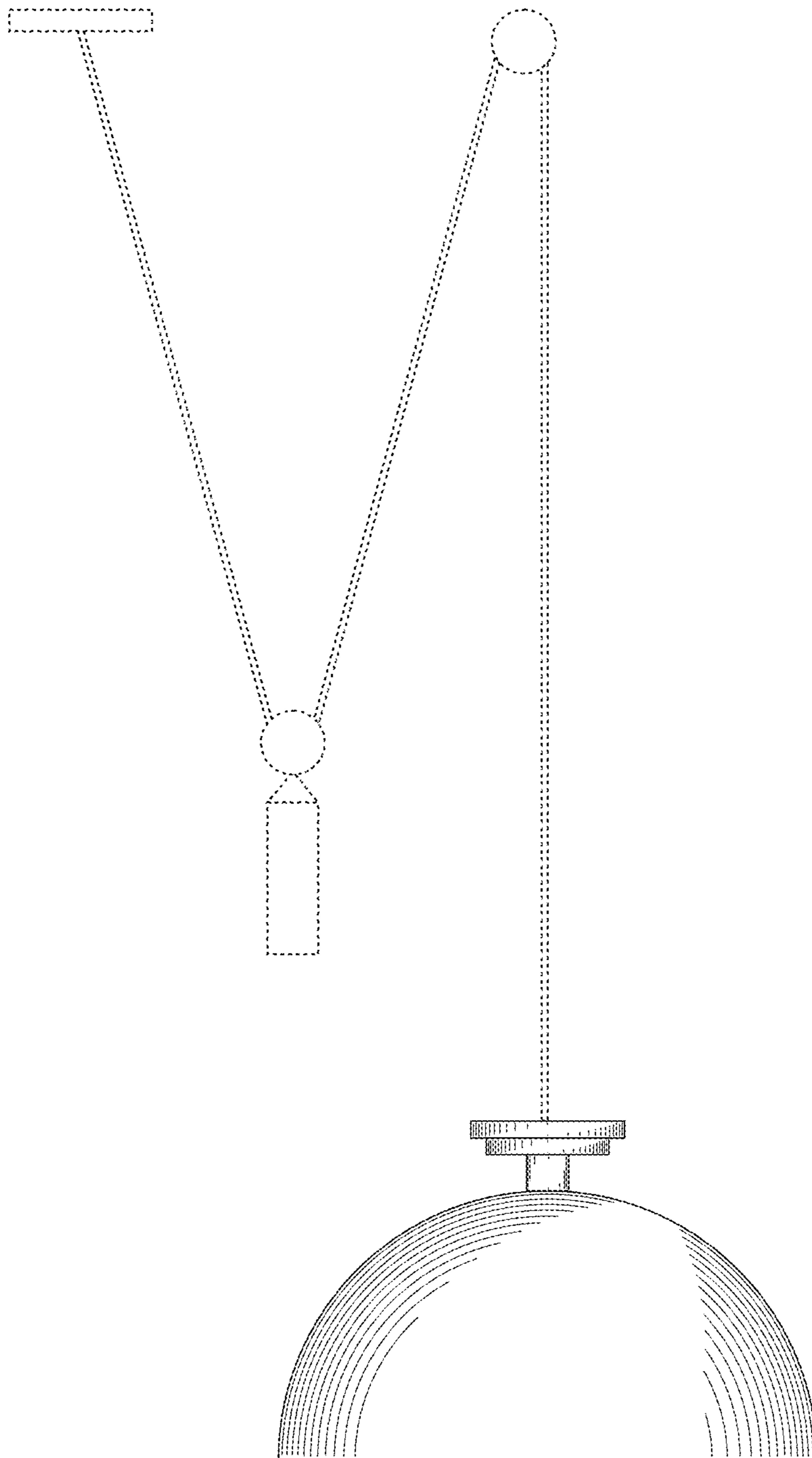


FIG. 2

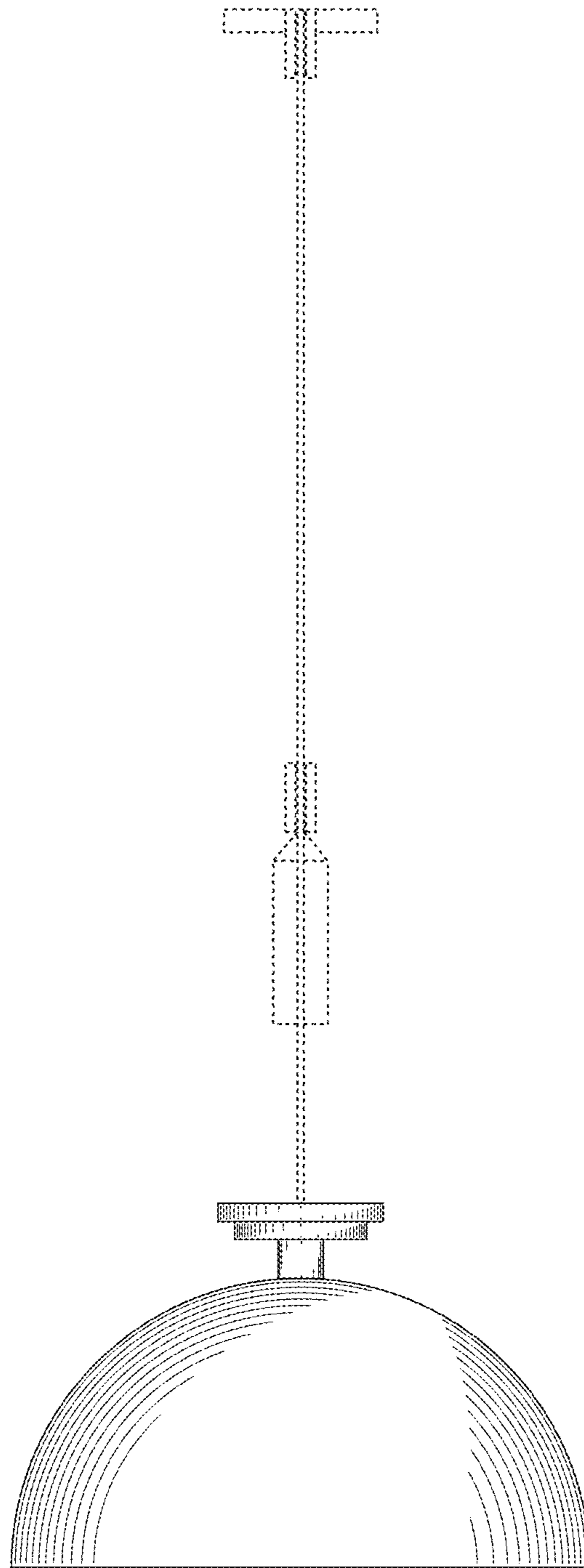


FIG. 3

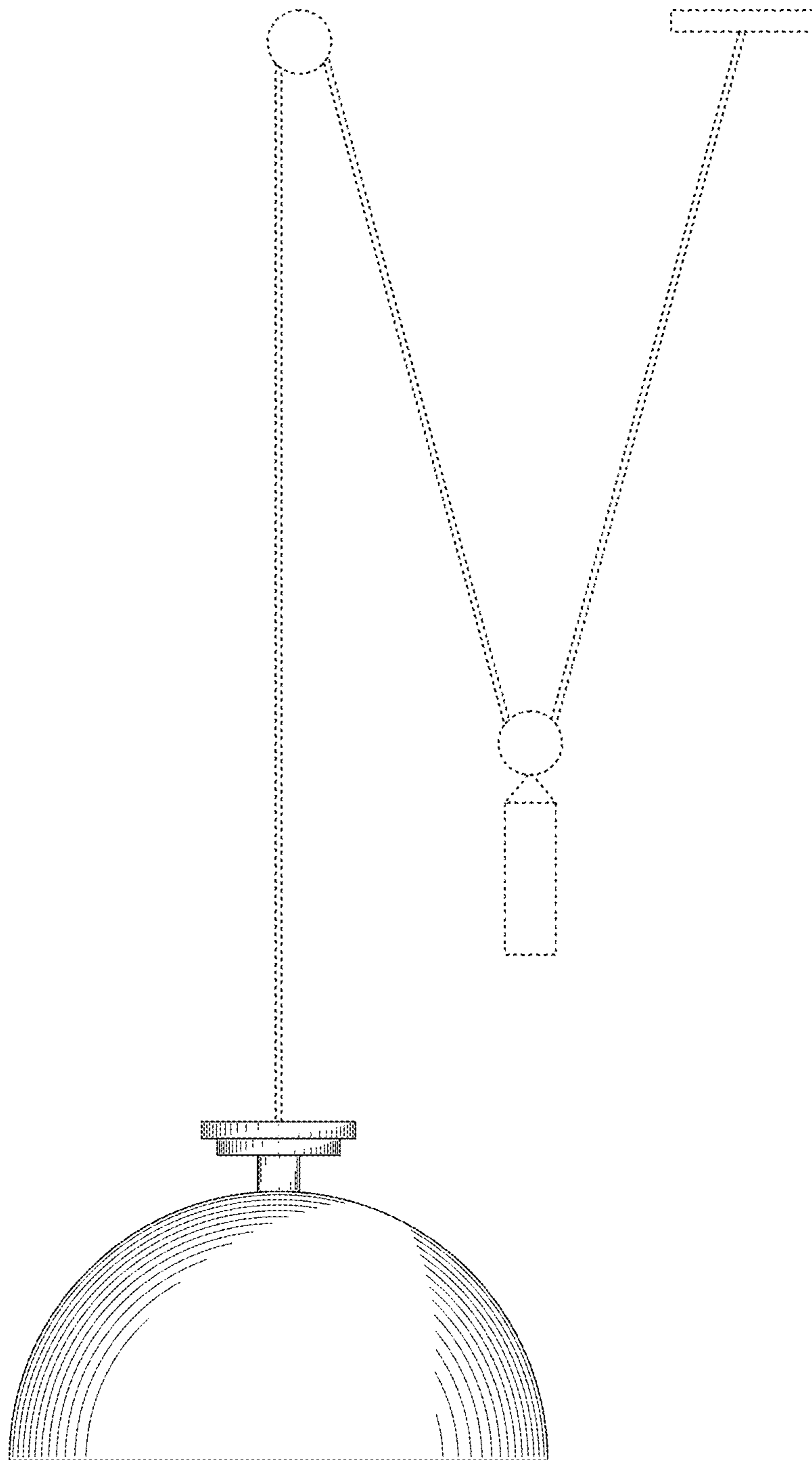


FIG. 4

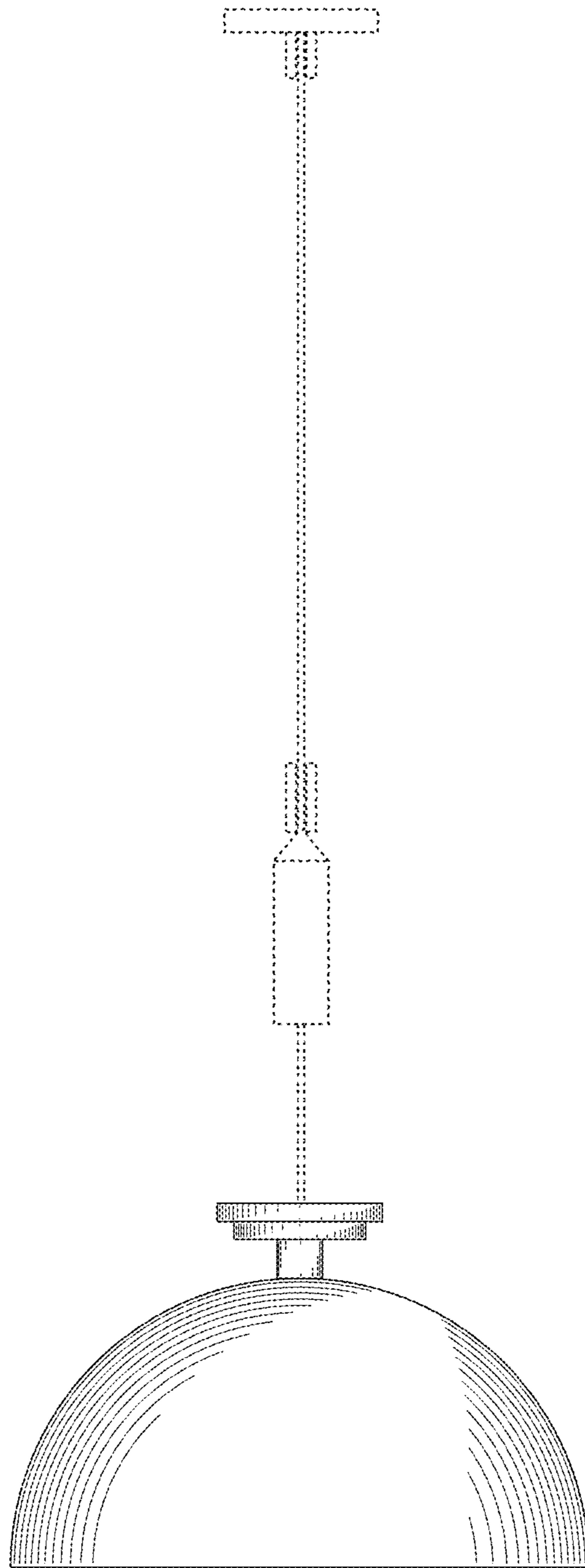


FIG. 5

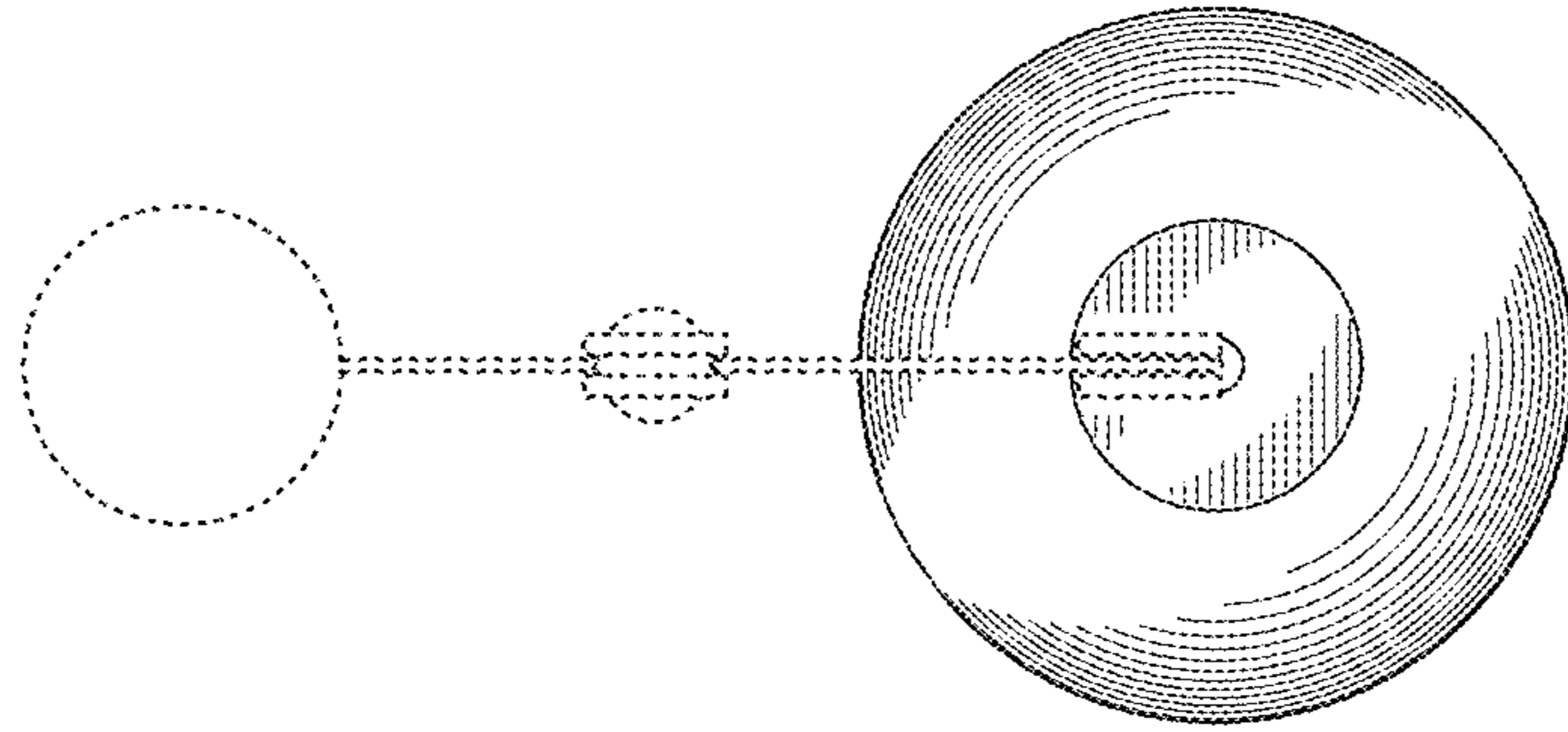


FIG. 6

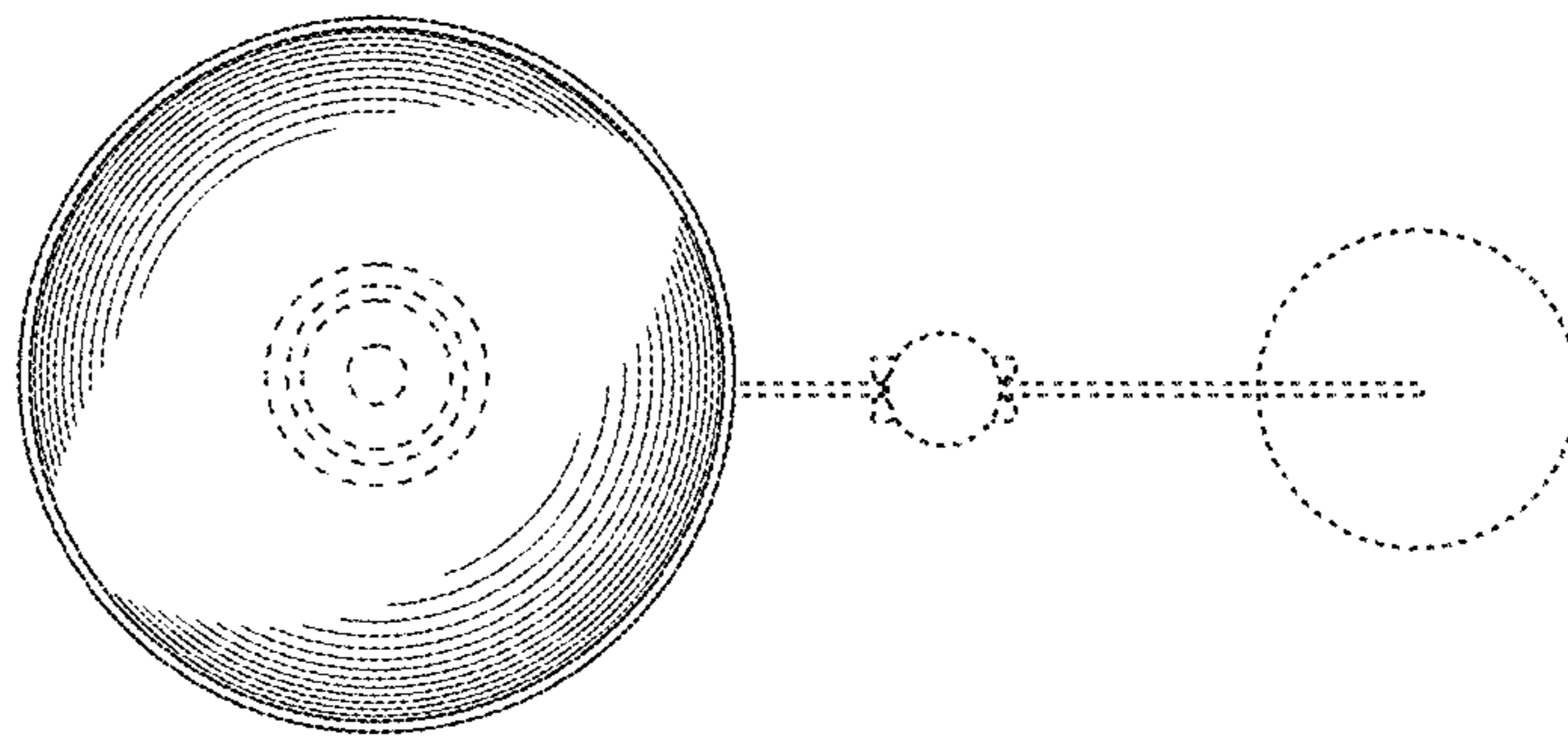


FIG. 7