



US00D810346S

(12) **United States Design Patent**
Genovese

(10) **Patent No.:** **US D810,346 S**
(45) **Date of Patent:** **** Feb. 13, 2018**

(54) **CHANDELIER**

DESCRIPTION

(71) Applicant: **H-07 SRL**, Milan (IT)
(72) Inventor: **Isabella Genovese**, Pieve di Soligo (IT)
(73) Assignee: **H-07 SRL**, Milan (IT)
(**) Term: **15 Years**
(21) Appl. No.: **29/583,360**
(22) Filed: **Nov. 4, 2016**

(30) **Foreign Application Priority Data**

Jul. 28, 2016 (EM) 003322163-0007
Jul. 28, 2016 (EM) 003322163-0008
(Continued)

(51) **LOC (11) Cl.** **26-03**

(52) **U.S. Cl.**
USPC **D26/86; D26/91**

(58) **Field of Classification Search**
USPC D26/72, 80, 81, 84, 85, 86, 88, 90, 91,
D26/118, 138, 142
(Continued)

(56) **References Cited**

U.S. PATENT DOCUMENTS

D155,064 S * 9/1949 Baker D26/86
D220,206 S * 3/1971 Hamburger D26/75
(Continued)

OTHER PUBLICATIONS

“Cycle Layers” 4844 Series from Eureka Lighting ©2015. (2 pages).*

Primary Examiner — Clare E Heflin

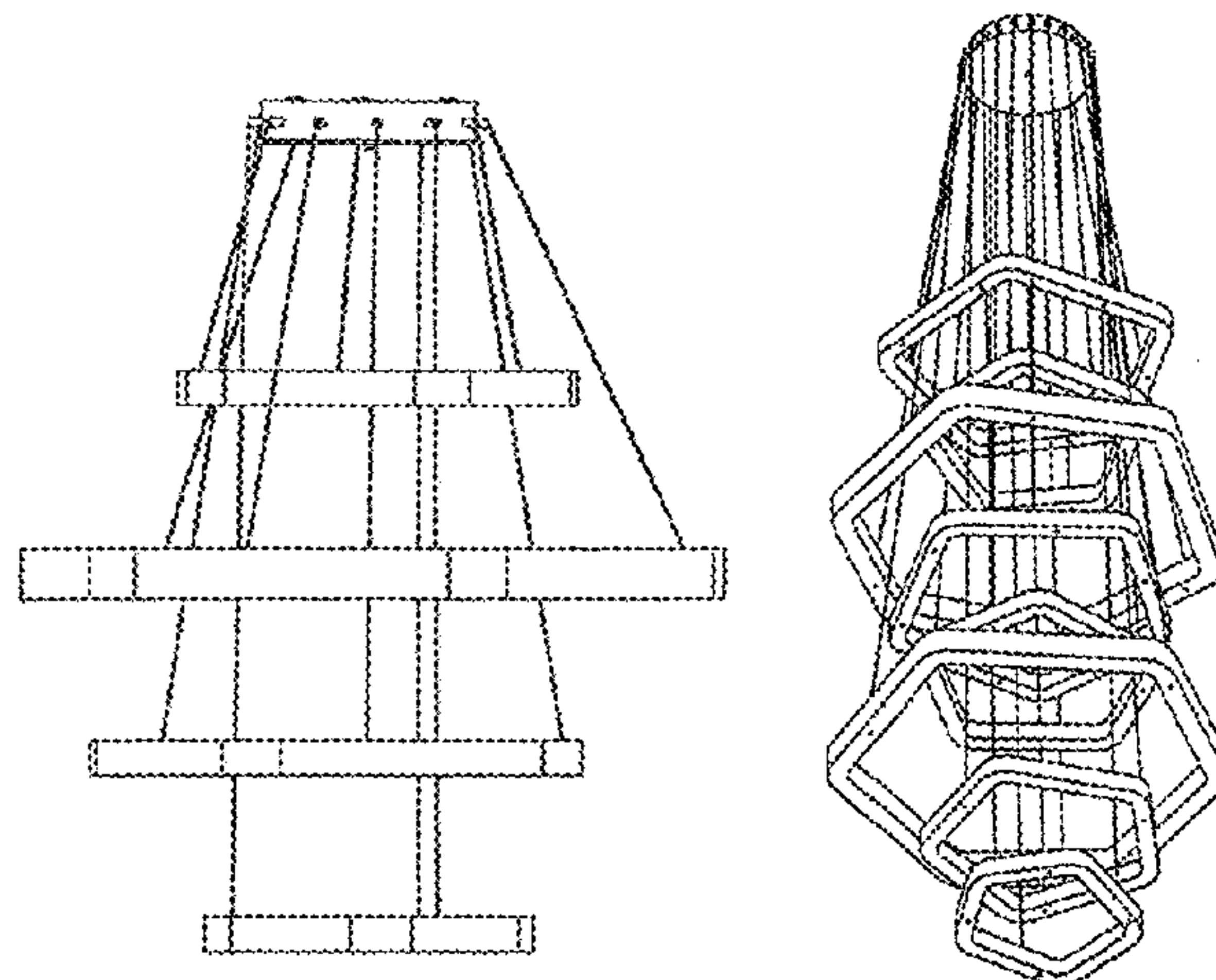
(74) *Attorney, Agent, or Firm* — Richard M. Goldberg

(57) **CLAIM**

The ornamental design for a chandelier, as shown.

FIG. 1 is a perspective view of the chandelier according to a first embodiment of the present invention; FIG. 2 is a bottom plan view thereof; FIG. 3 is a top plan view thereof; FIG. 4 is a rear elevational view thereof; FIG. 5 is a left side elevational view thereof; FIG. 6 is a front elevational view thereof; FIG. 7 is a right side elevational view thereof; FIG. 8 is a perspective view of the chandelier according to a second embodiment of the present invention; FIG. 9 is a bottom plan view thereof; FIG. 10 is a top plan view thereof; FIG. 11 is a rear elevational view thereof; FIG. 12 is a left side elevational view thereof; FIG. 13 is a front elevational view thereof; FIG. 14 is a right side elevational view thereof; FIG. 15 is a perspective view of the chandelier according to a third embodiment of the present invention; FIG. 16 is a rear elevational view of the chandelier of FIG. 15; FIG. 17 is a left side elevational view of the chandelier of FIG. 15; FIG. 18 is a front elevational view of the chandelier of FIG. 15; FIG. 19 is a right side elevational view of the chandelier of FIG. 15; FIG. 20 is a top plan view of the chandelier of FIG. 15; FIG. 21 is a bottom plan view of the chandelier of FIG. 15; FIG. 22 is a perspective view of the chandelier according to a fourth embodiment of the present invention; FIG. 23 is a rear elevational view of the chandelier of FIG. 22; FIG. 24 is a left side elevational view of the chandelier of FIG. 22; FIG. 25 is a front elevational view of the chandelier of FIG. 22; FIG. 26 is a right side elevational view of the chandelier of FIG. 22; FIG. 27 is a top plan view of the chandelier of FIG. 22; and, FIG. 28 is a bottom plan view of the chandelier of FIG. 22.

1 Claim, 8 Drawing Sheets



(30) **Foreign Application Priority Data**

Jul. 28, 2016 (EM) 003322163-0009
Jul. 28, 2016 (EM) 003322163-0010

(58) **Field of Classification Search**

CPC F21S 8/043; F21S 8/046; F21S 8/06; F21S
8/061; F21S 8/063; F21S 8/065; F21S
8/066; F21S 8/068; F21V 21/008; F21V
21/02; F21V 21/03; F21V 21/112; F21V
21/38

See application file for complete search history.

(56) **References Cited**

U.S. PATENT DOCUMENTS

D303,436 S * 9/1989 Clyde-Mason D26/86
D339,652 S * 9/1993 Segill D26/86
D468,475 S * 1/2003 De Lucchi D26/90
D481,484 S * 10/2003 Cuevas D26/84
D536,468 S * 2/2007 Crosby D26/84
D603,083 S * 10/2009 Trumble D26/90
D622,891 S * 8/2010 Nadell D26/85
D635,711 S * 4/2011 Scutella' D26/88
D697,251 S * 1/2014 Baylar D26/88
D701,991 S * 4/2014 Blum D26/90
D740,480 S * 10/2015 Thompson D26/90
D761,990 S * 7/2016 Ng D26/80
2010/0220497 A1* 9/2010 Ngai F21S 8/06
362/610
2013/0329424 A1* 12/2013 Clark F21S 8/061
362/235
2015/0277030 A1* 10/2015 Huang F21S 8/061
362/611

* cited by examiner

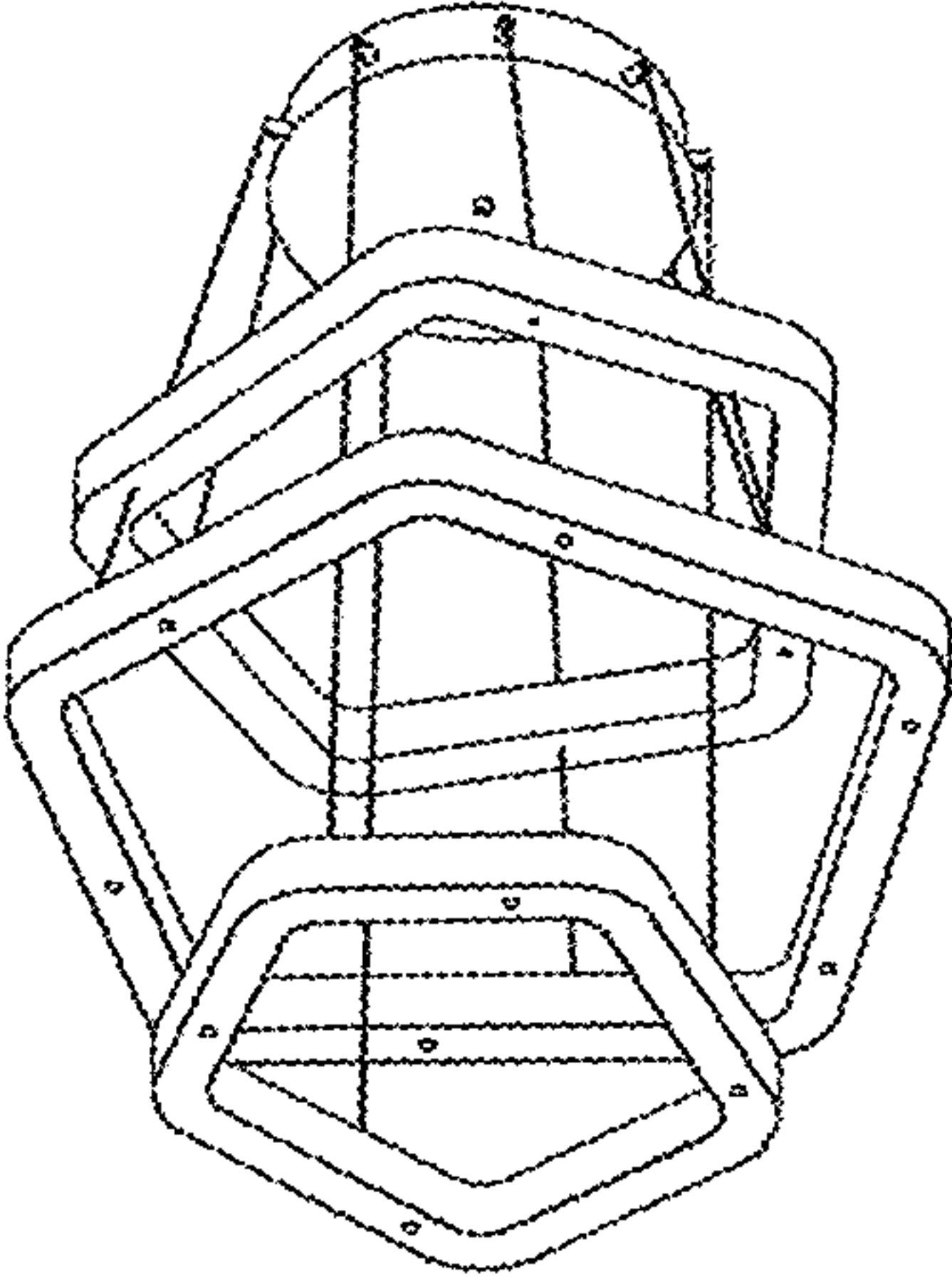


FIG. 1

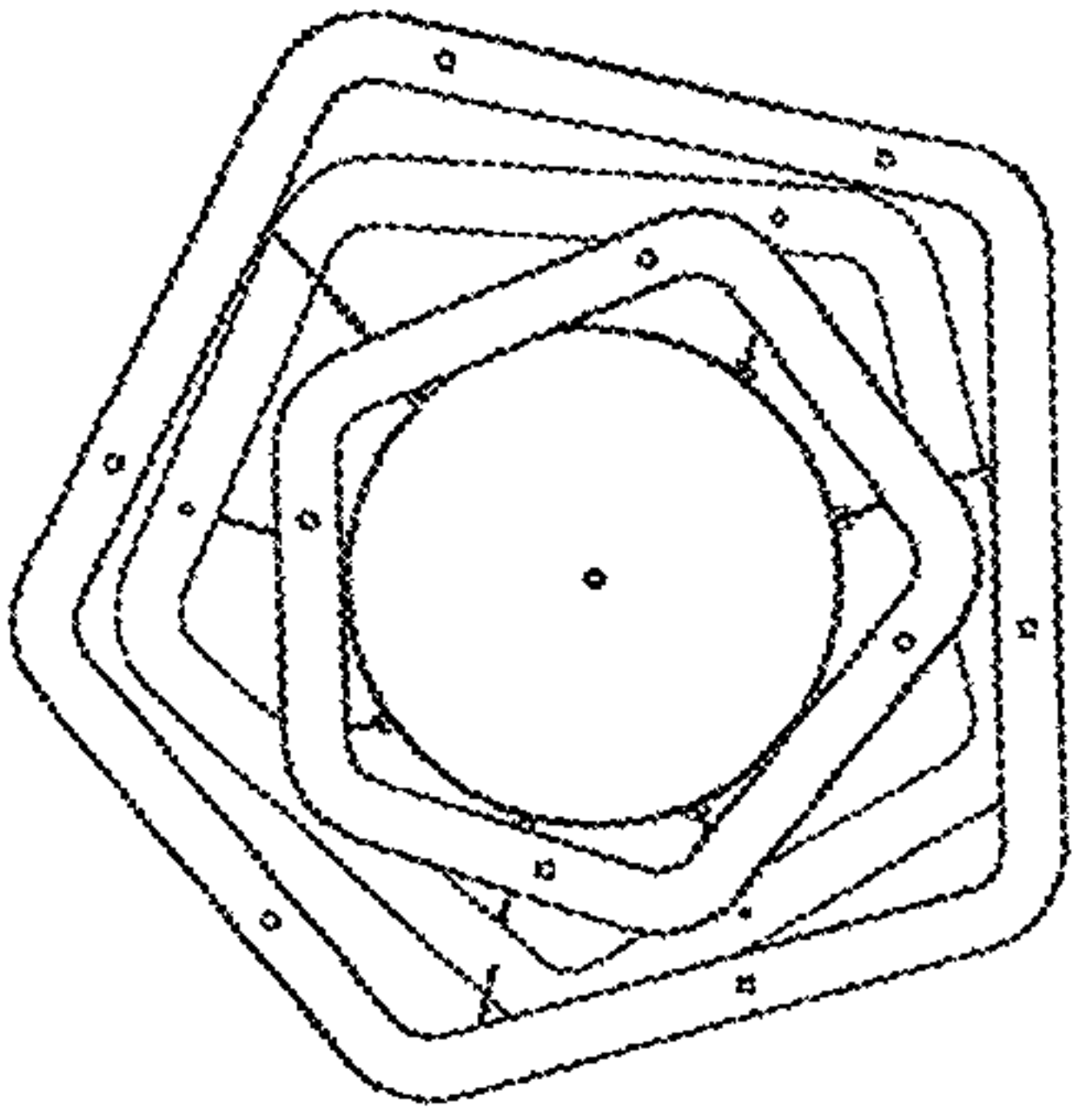


FIG. 2

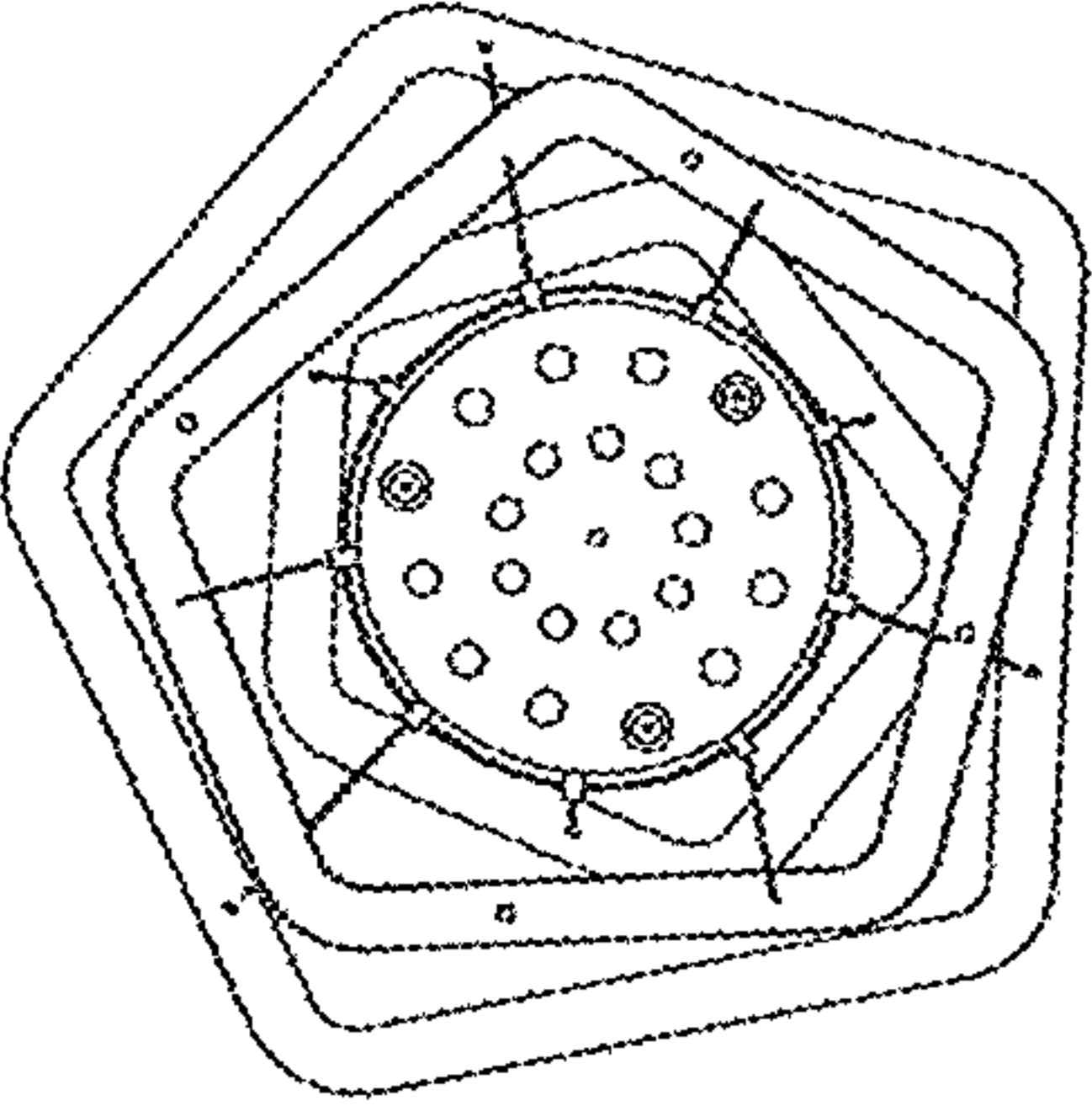


FIG. 3

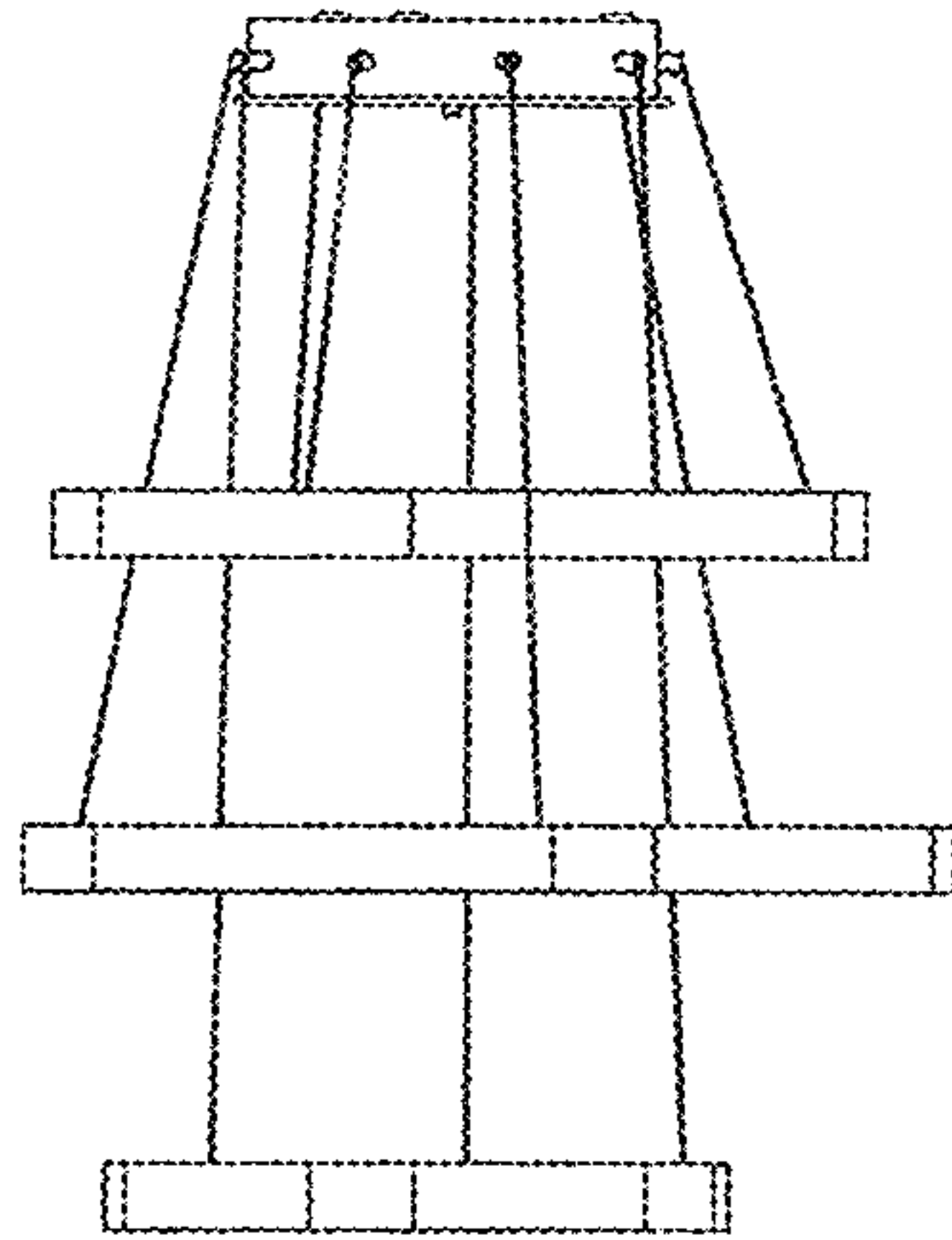


FIG. 4

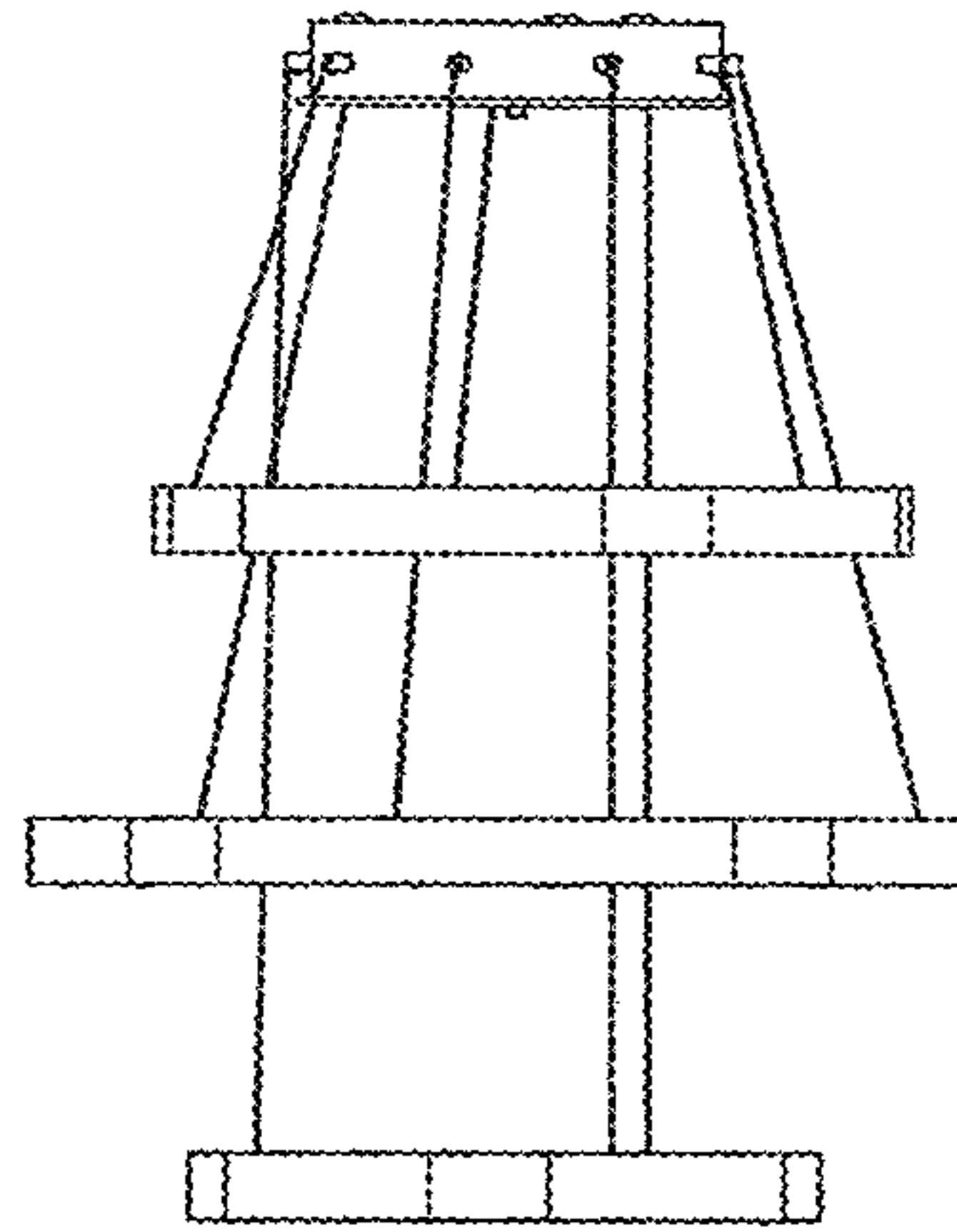


FIG. 5

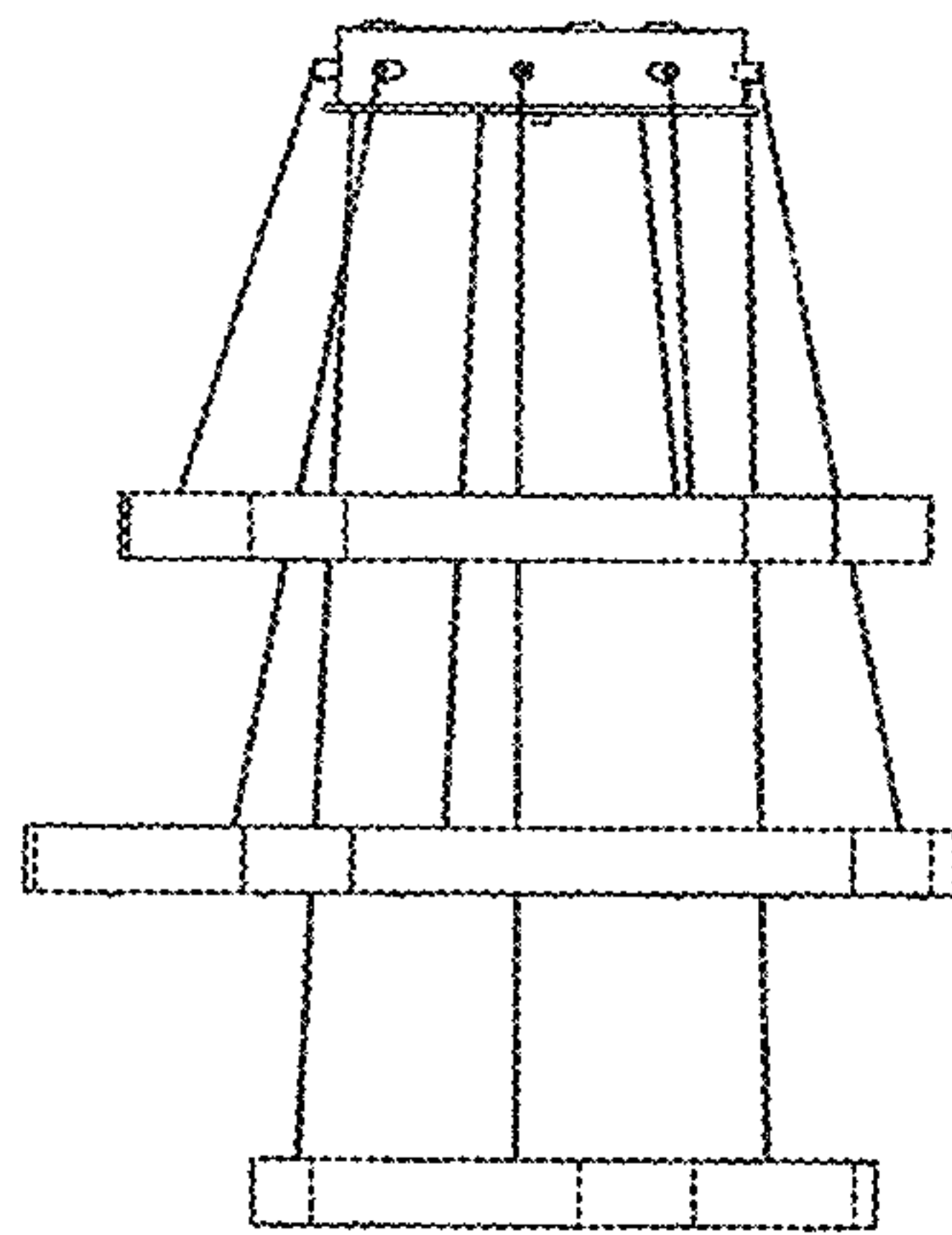


FIG. 6

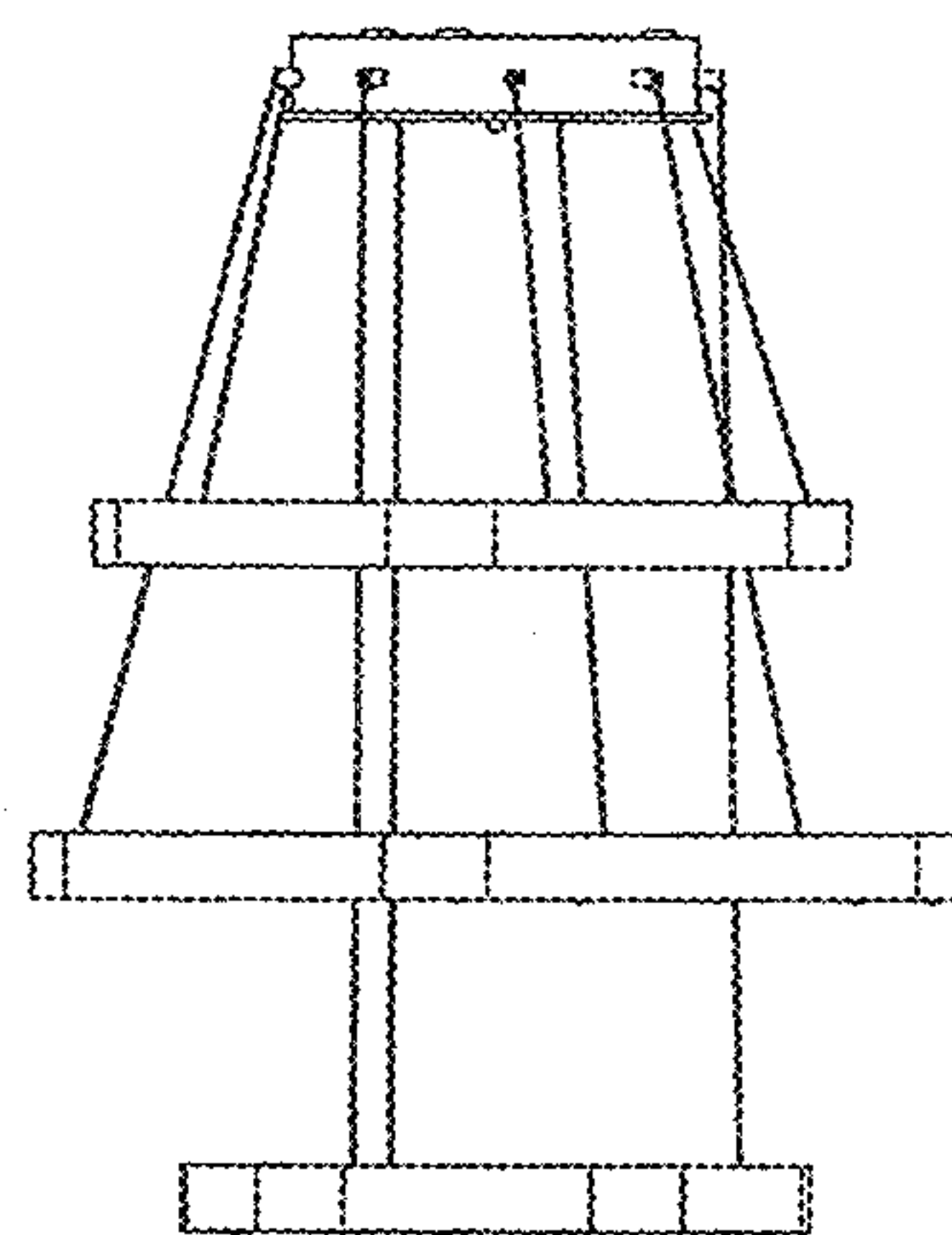


FIG. 7

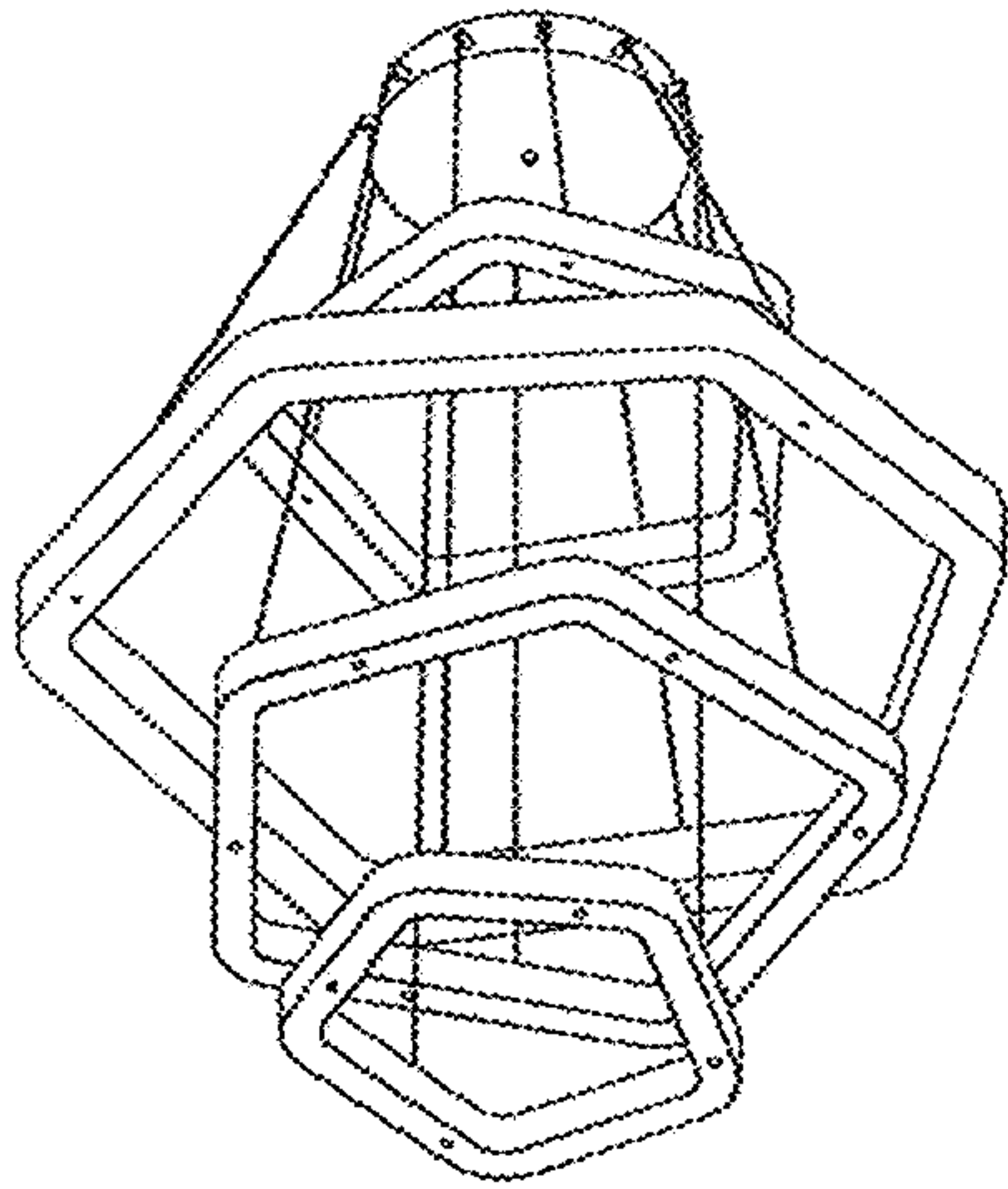


FIG. 8

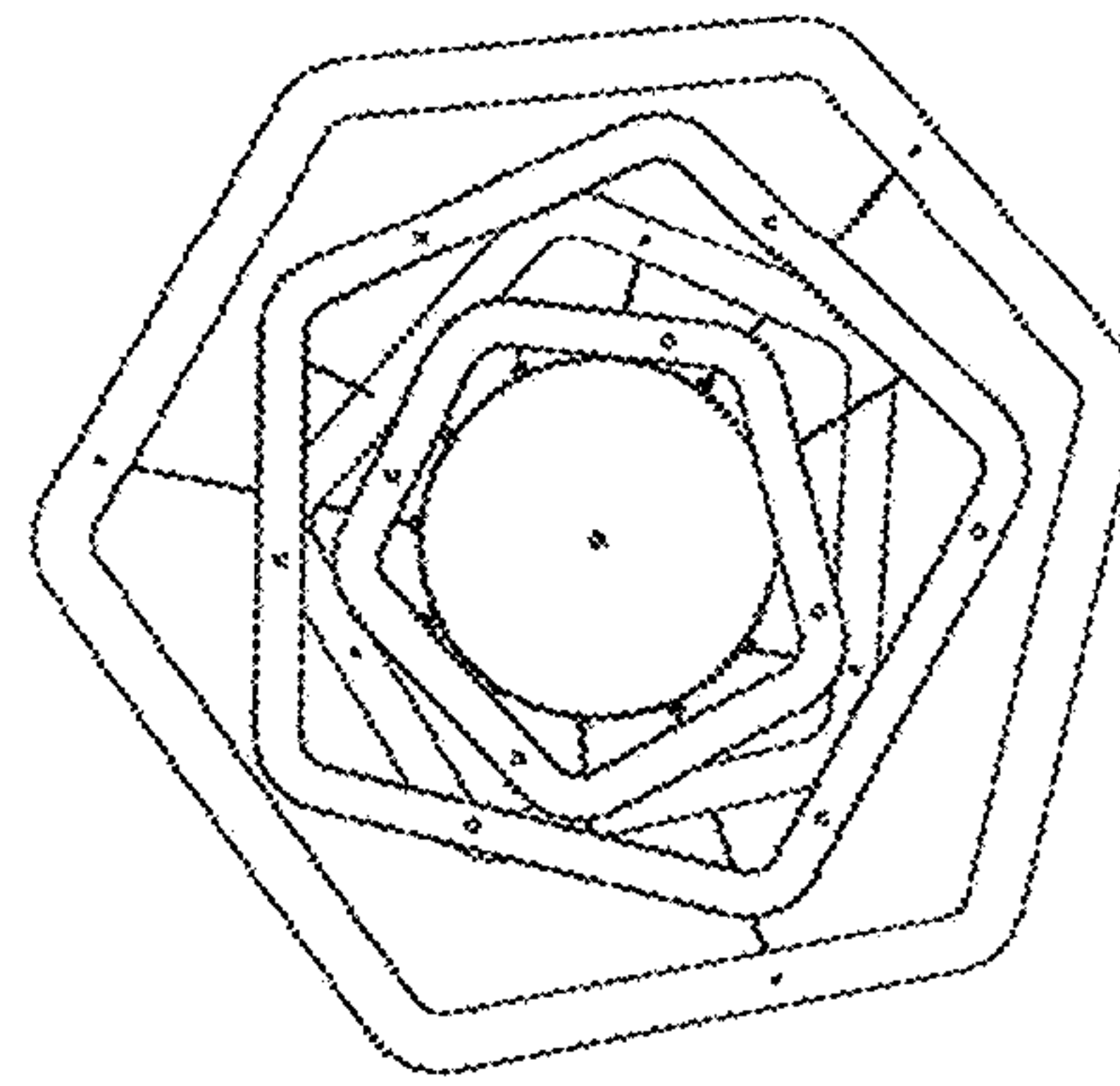


FIG. 9

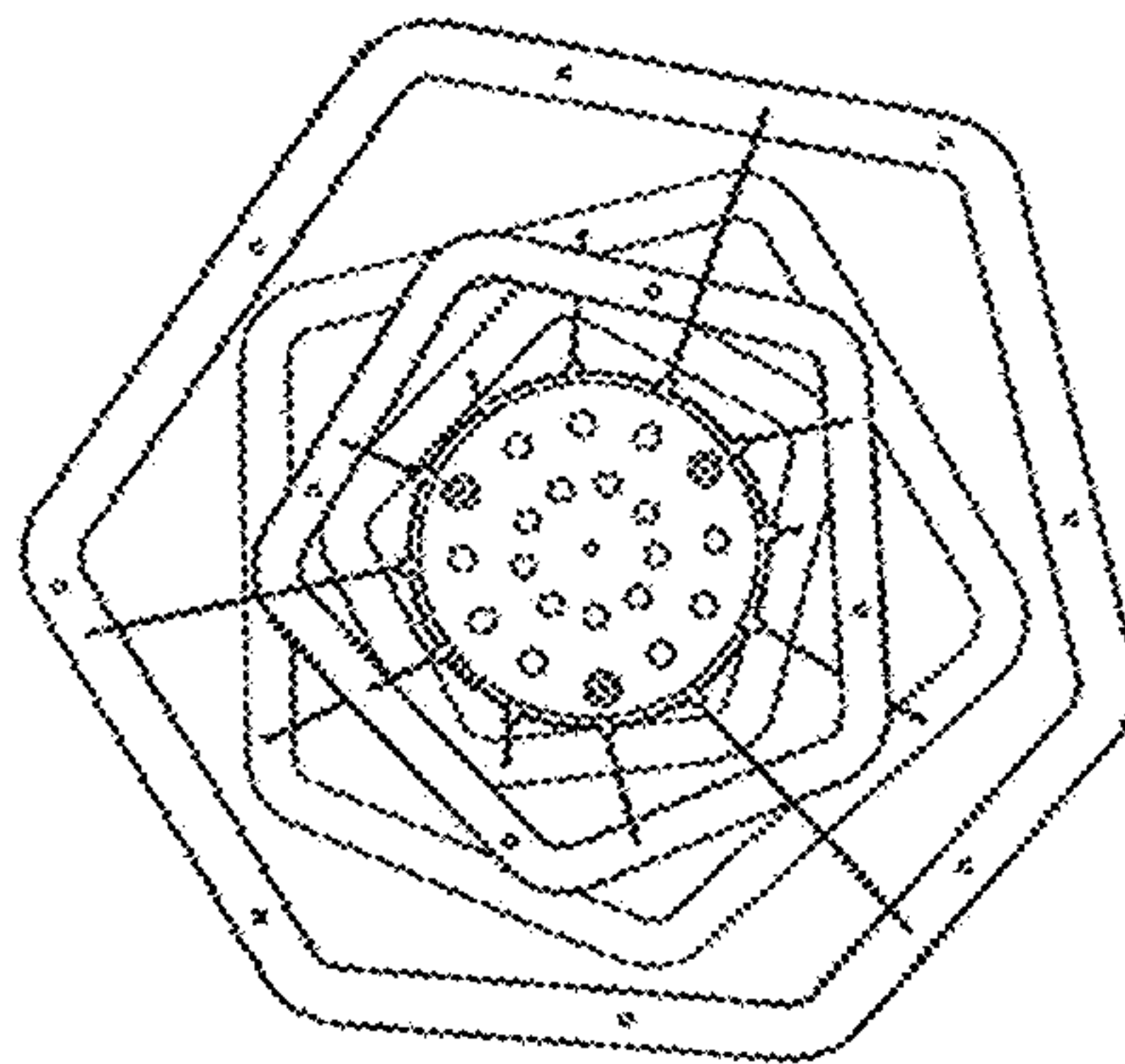


FIG. 10

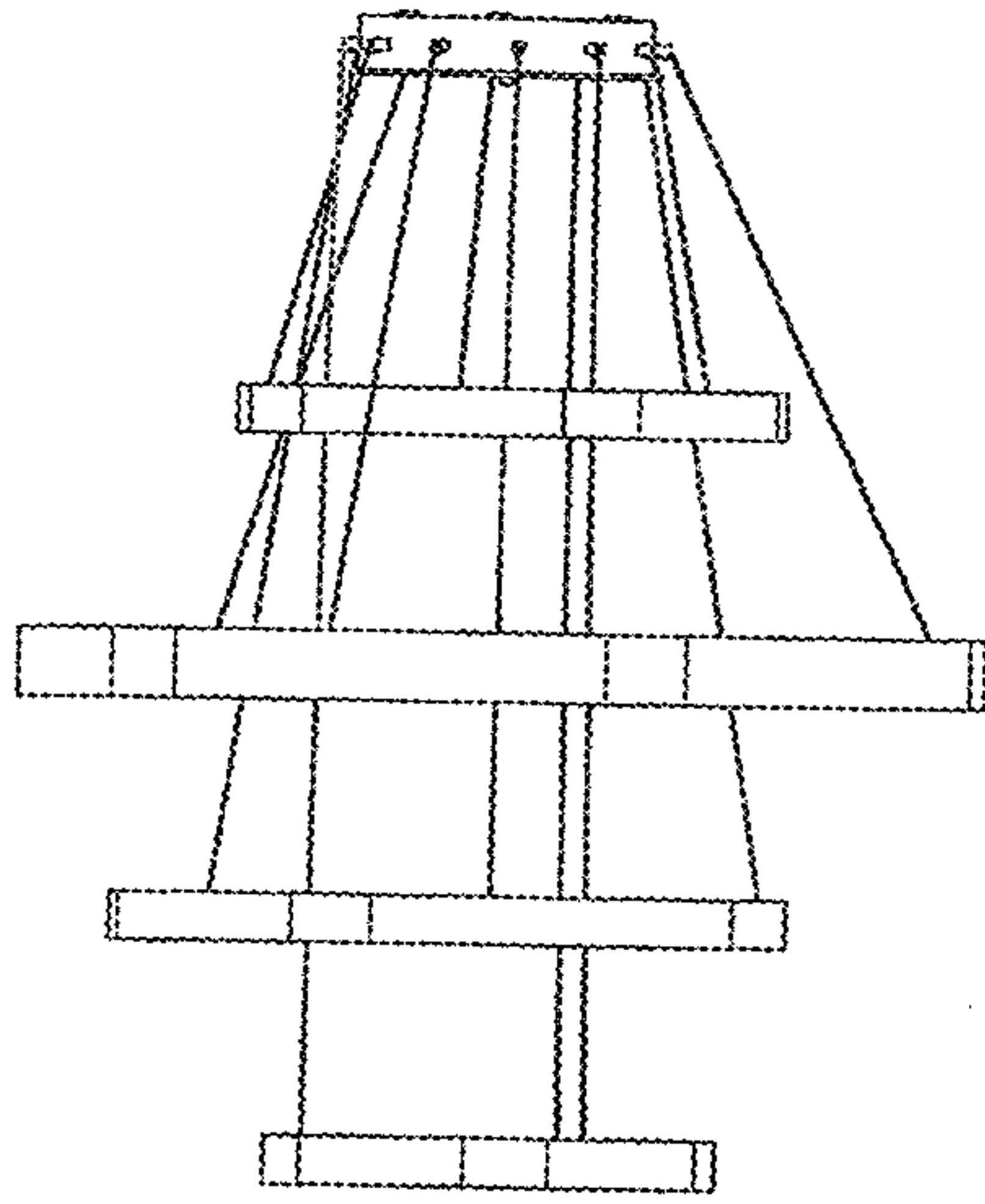


FIG. 11

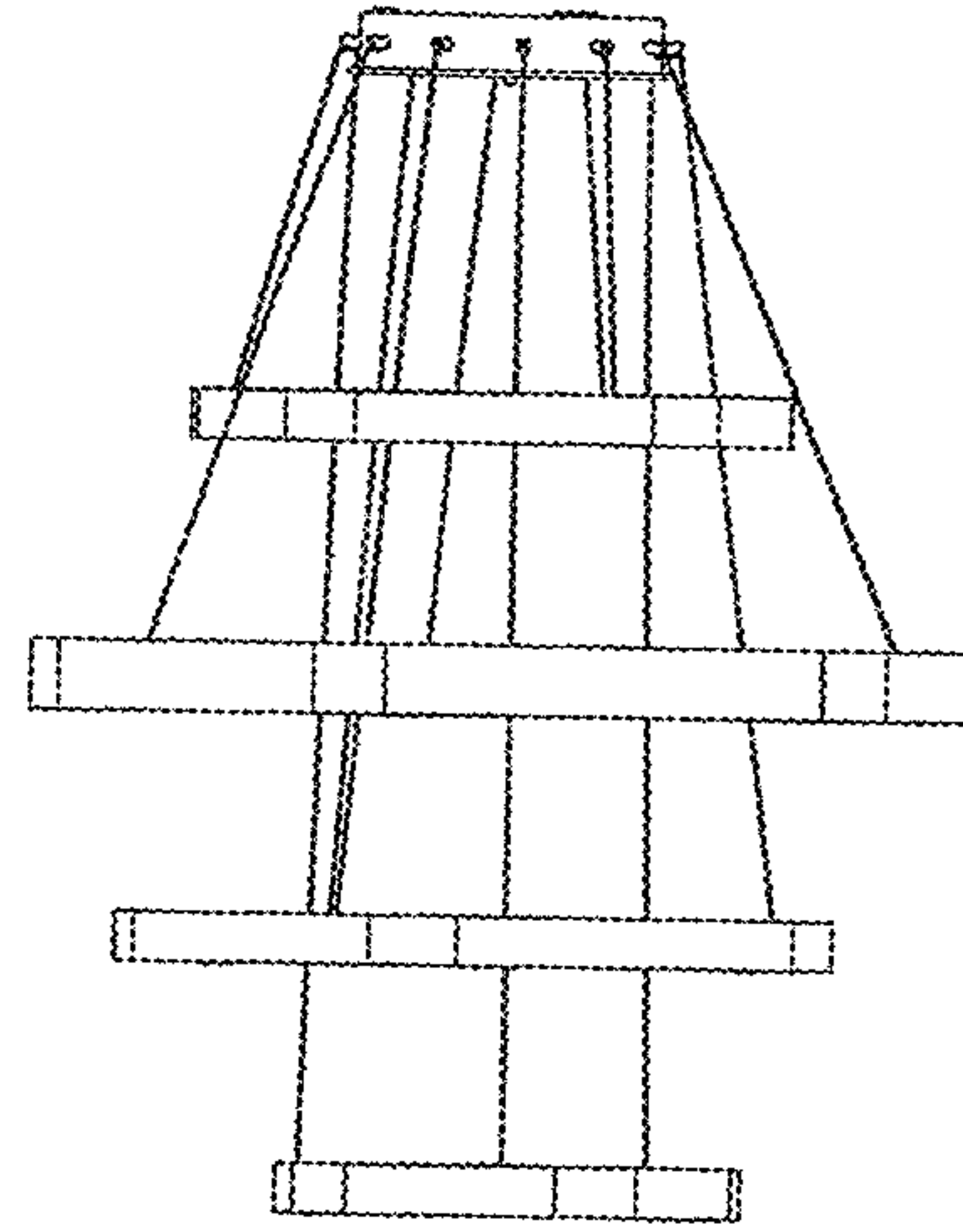


FIG. 12

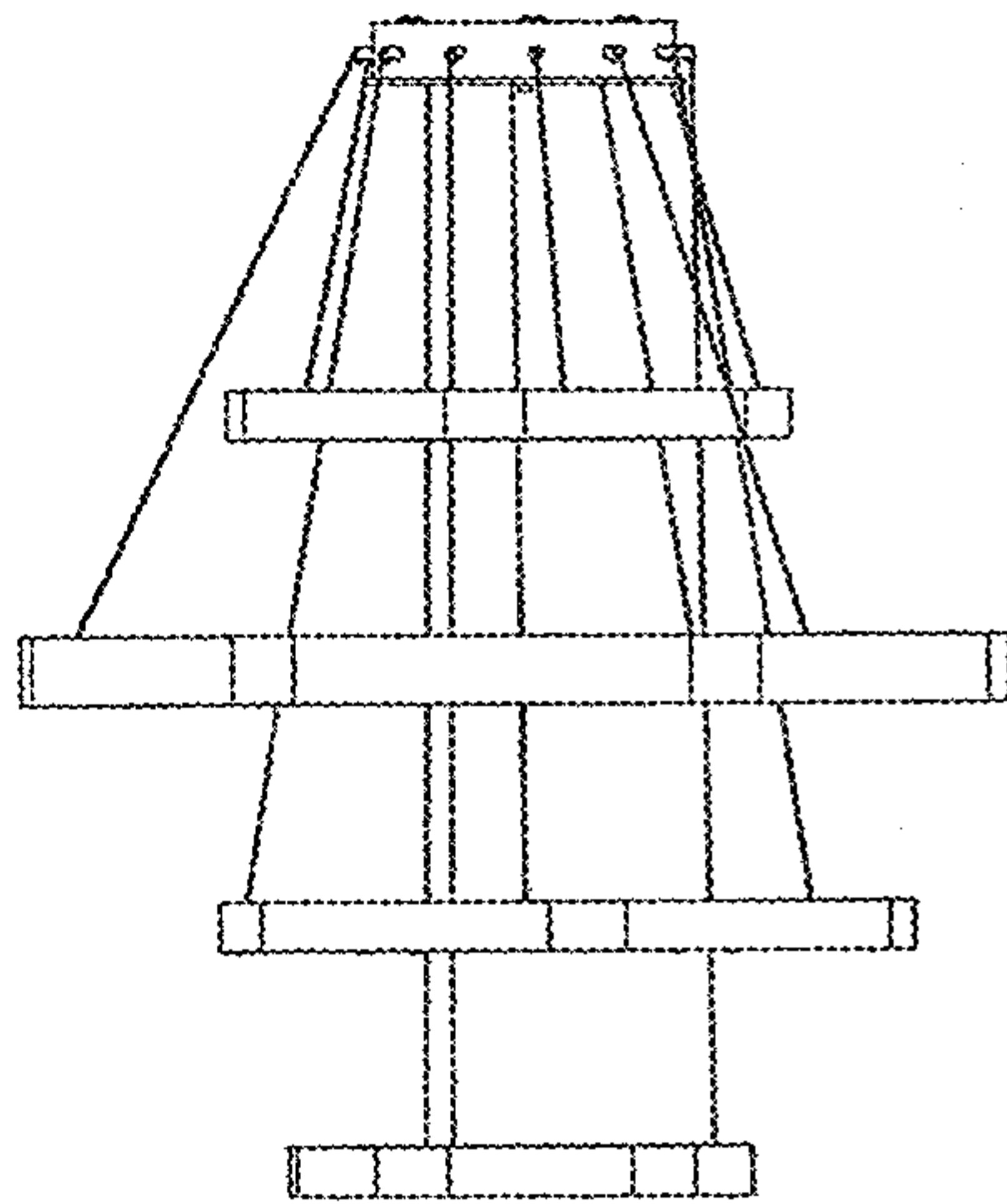


FIG. 13

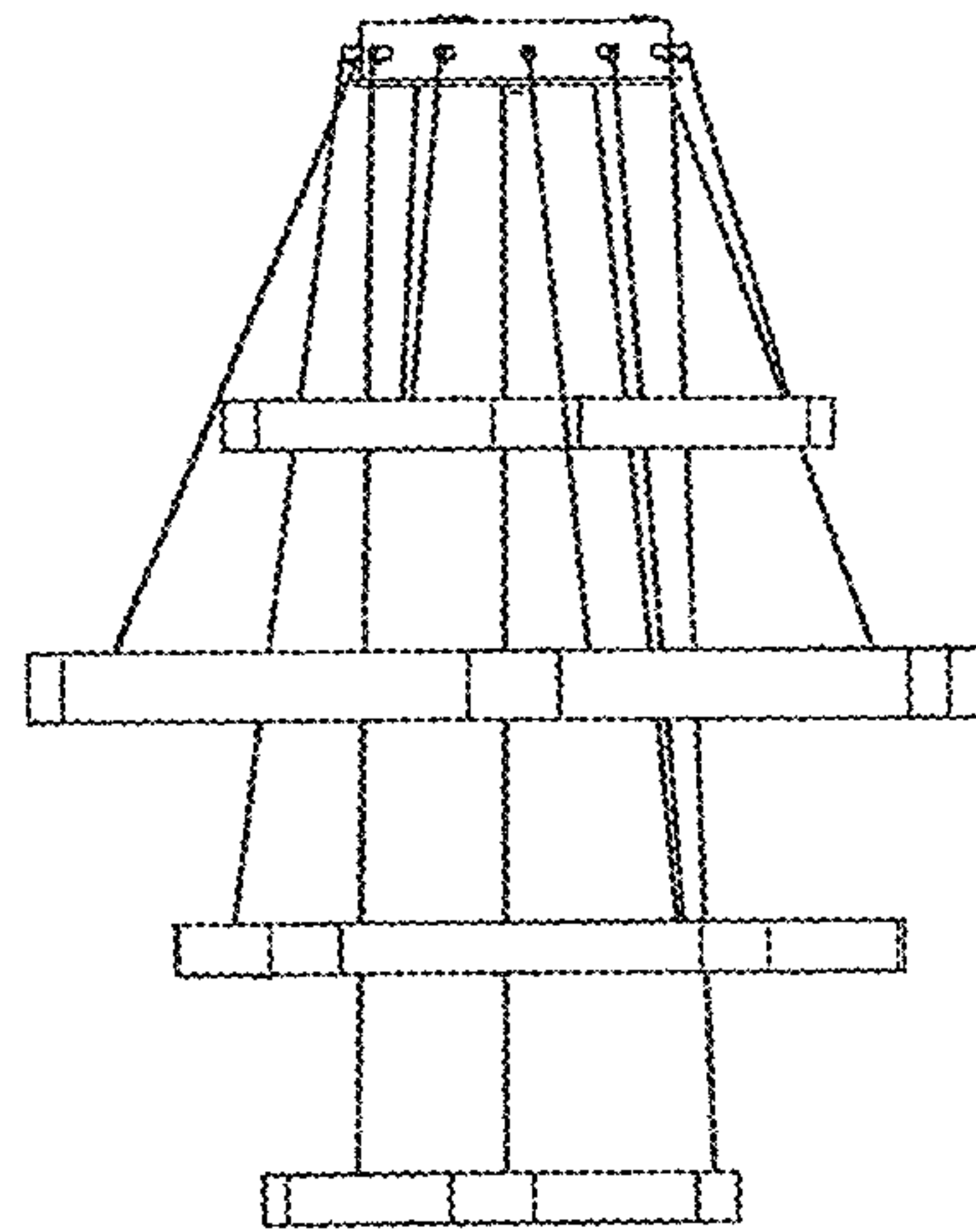


FIG. 14

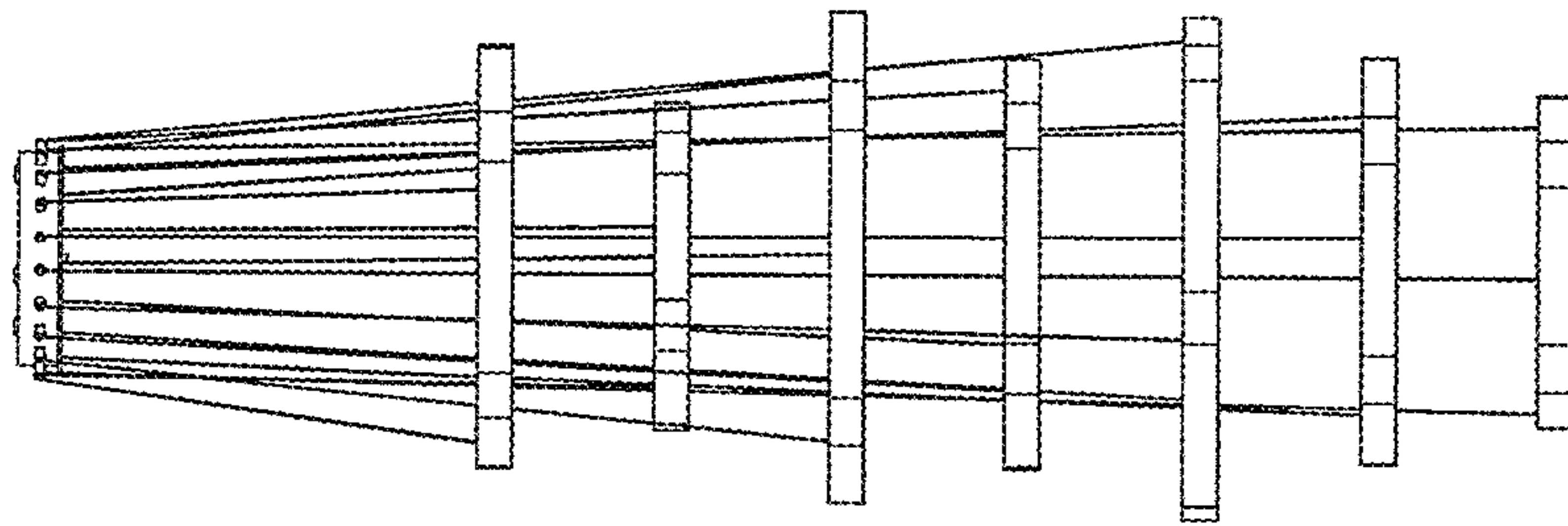


FIG. 17

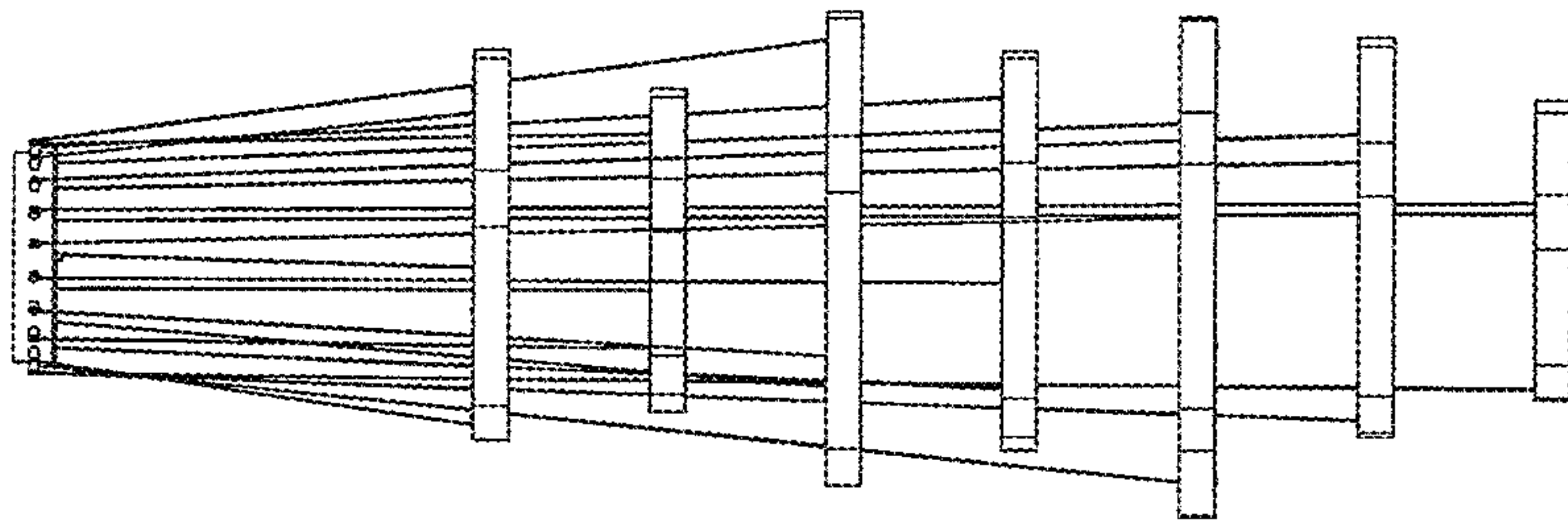


FIG. 16

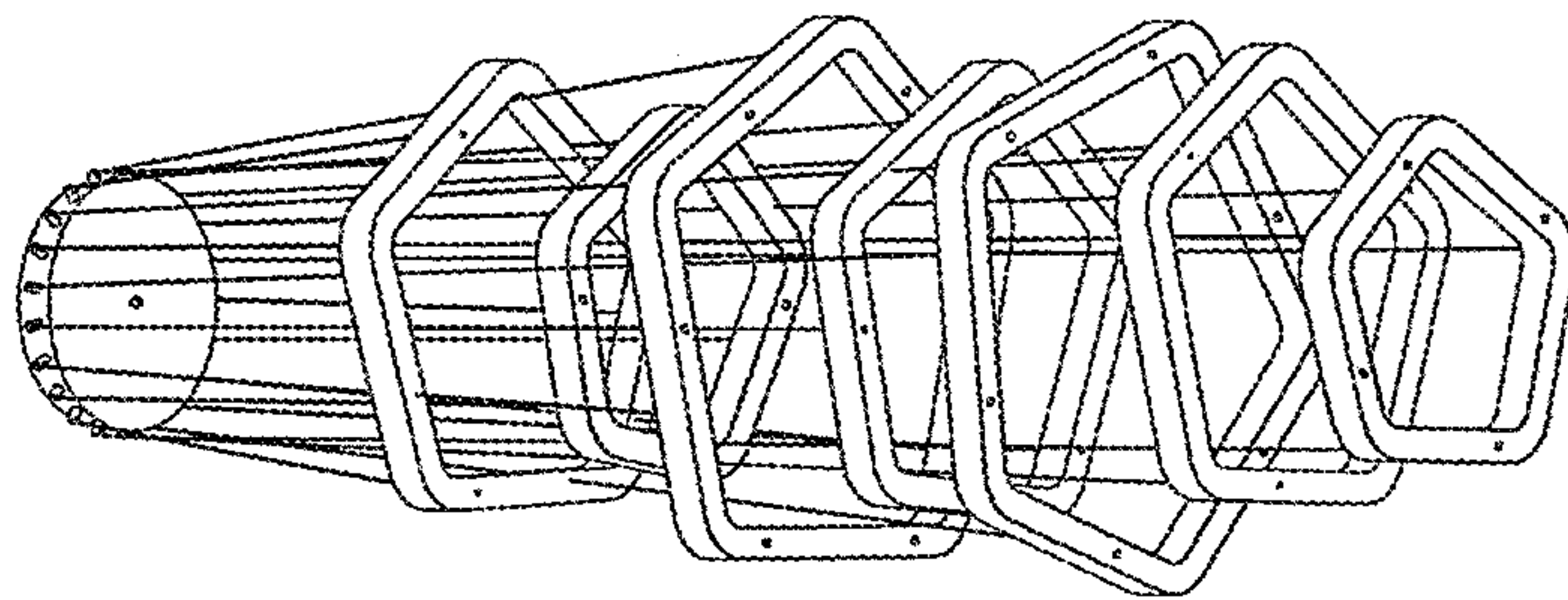


FIG. 15

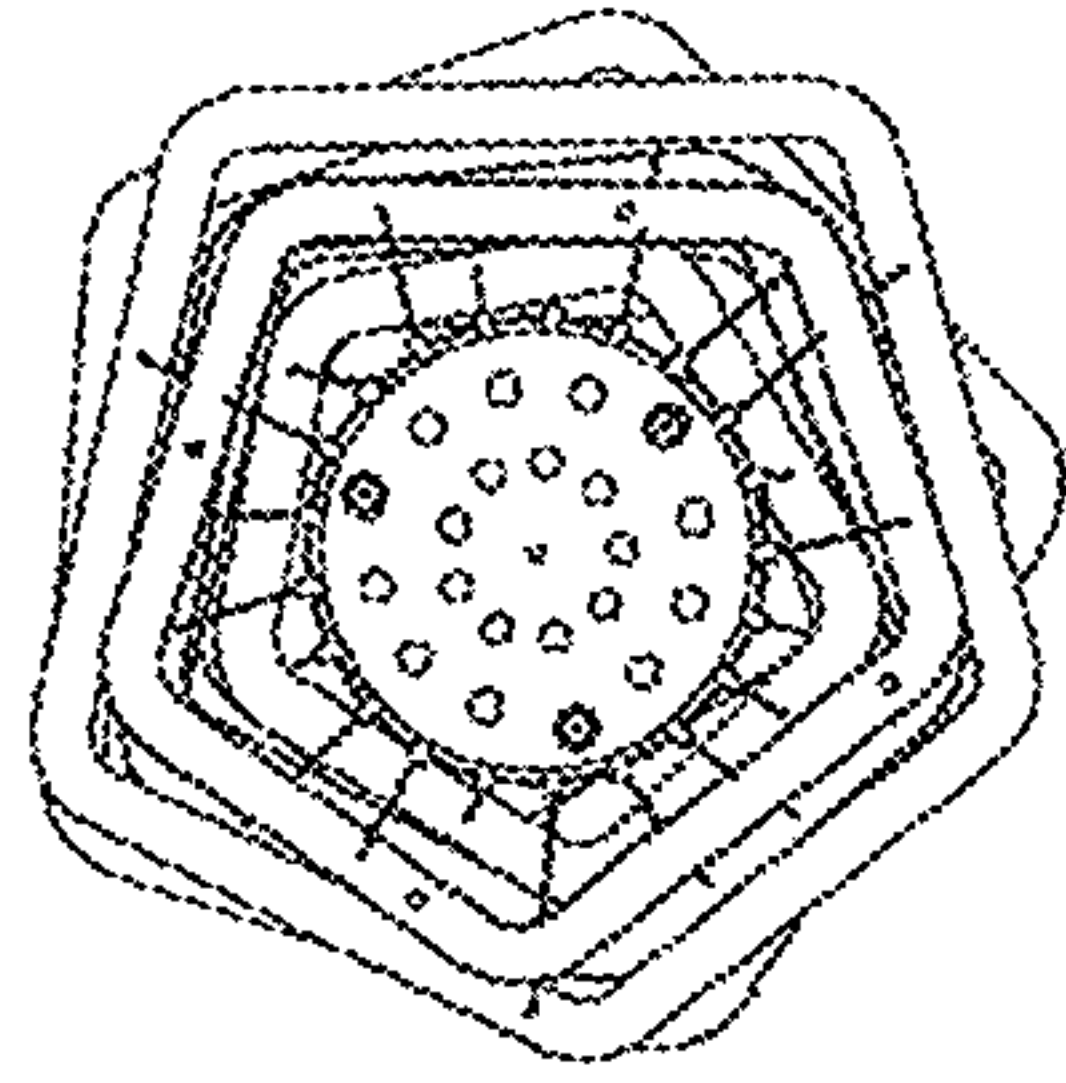


FIG. 20

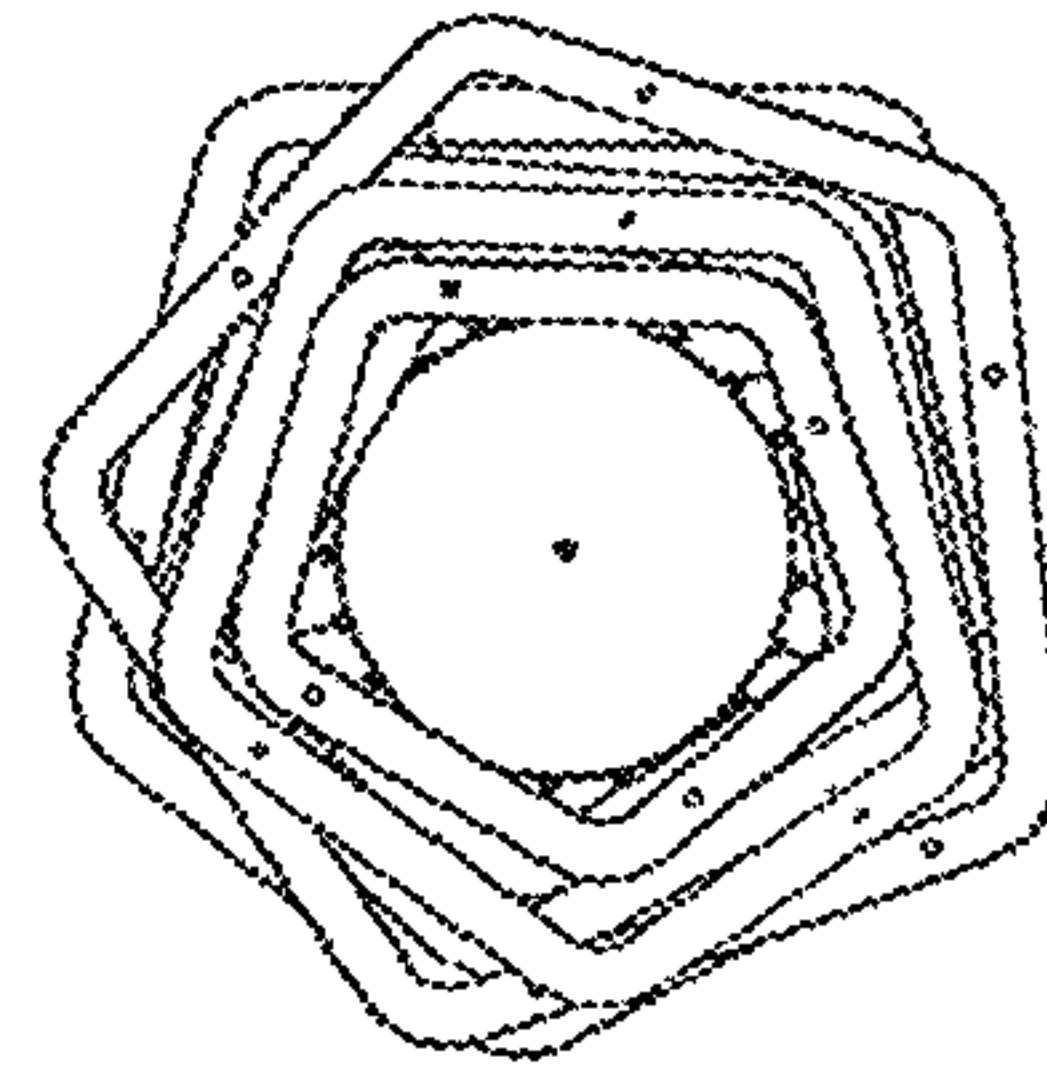


FIG. 21

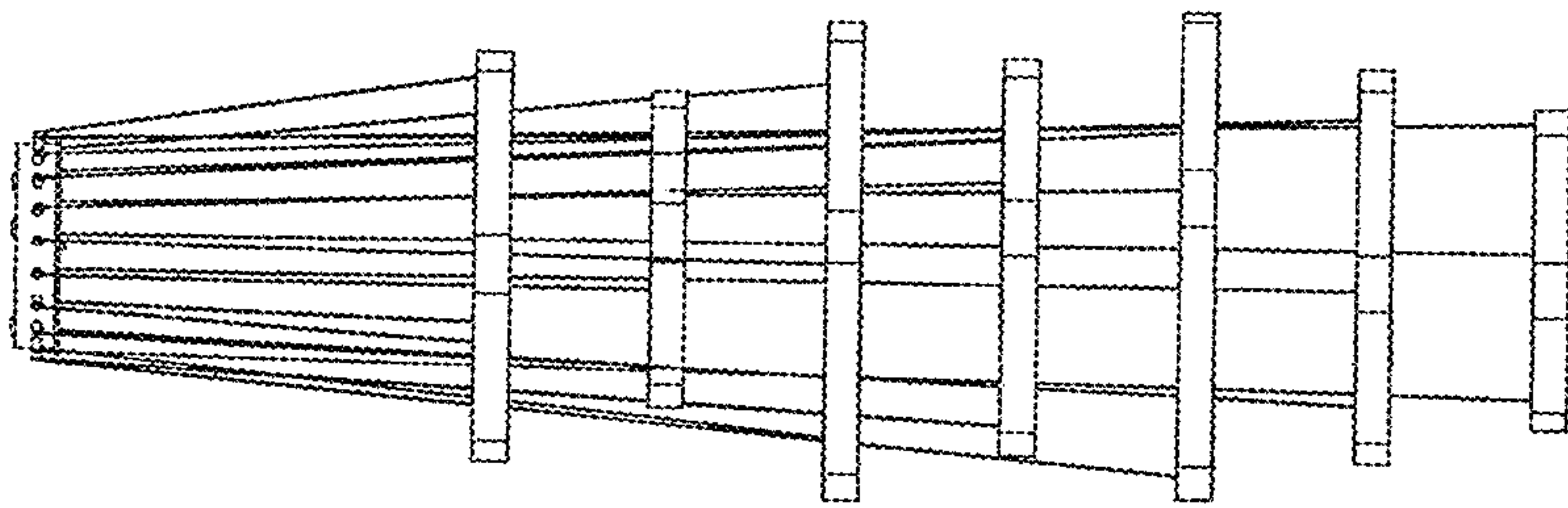


FIG. 19

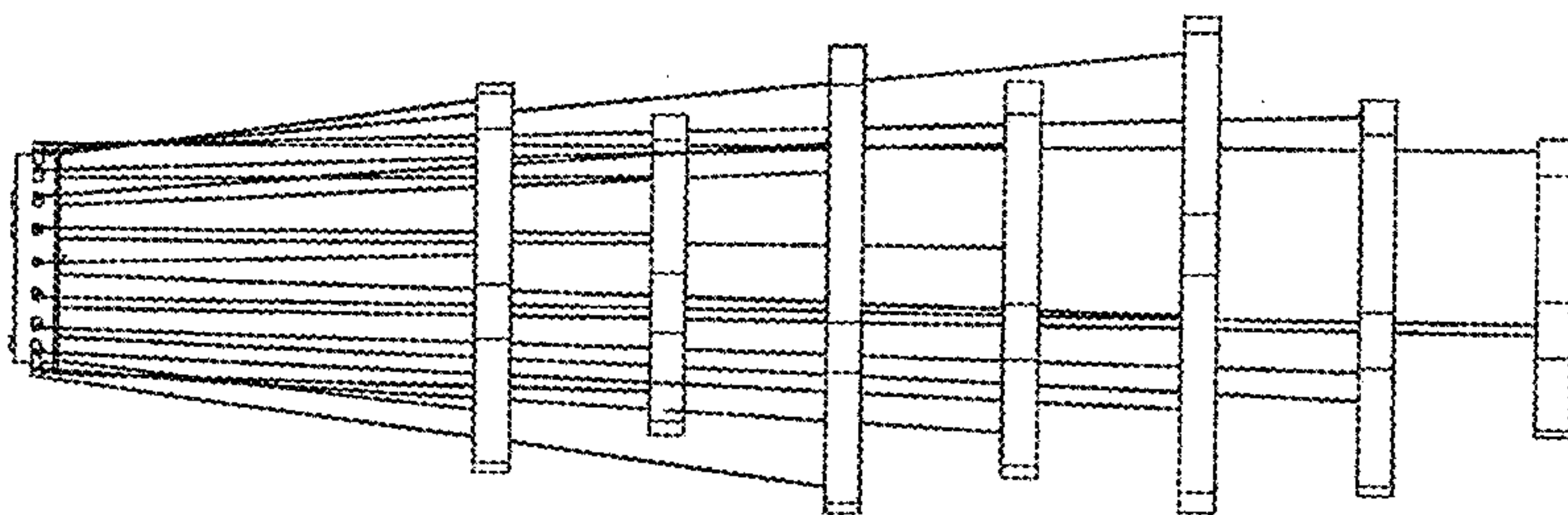


FIG. 18

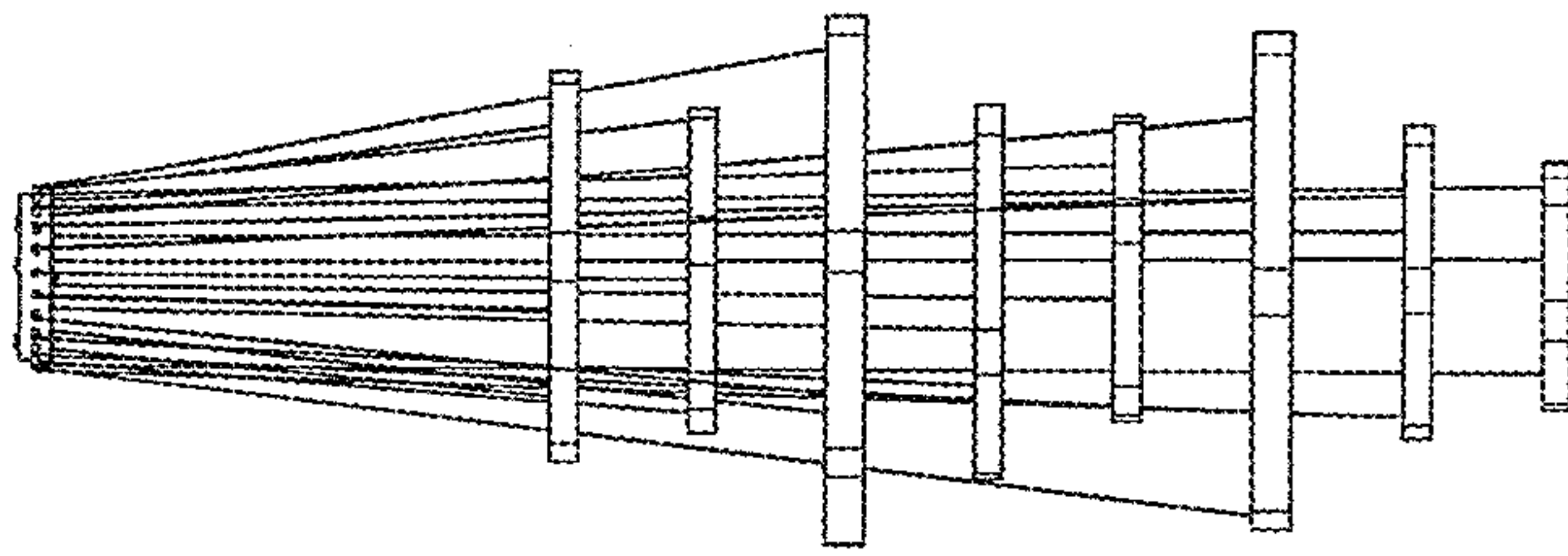


FIG. 24

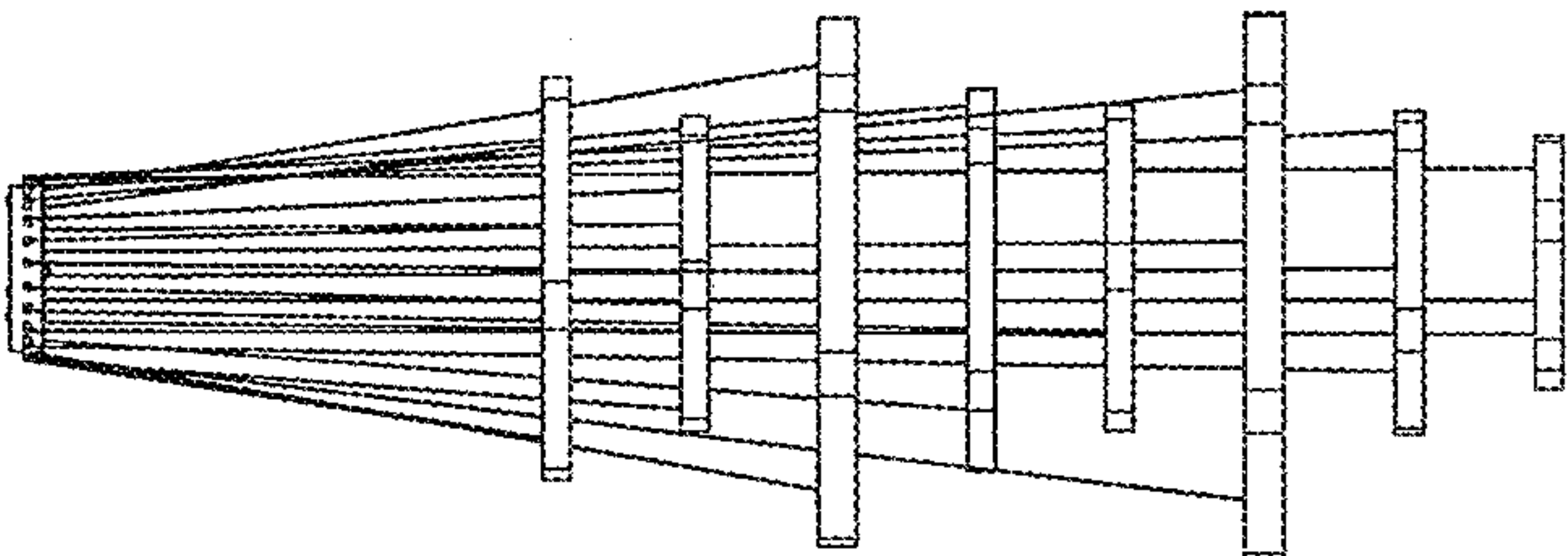


FIG. 23

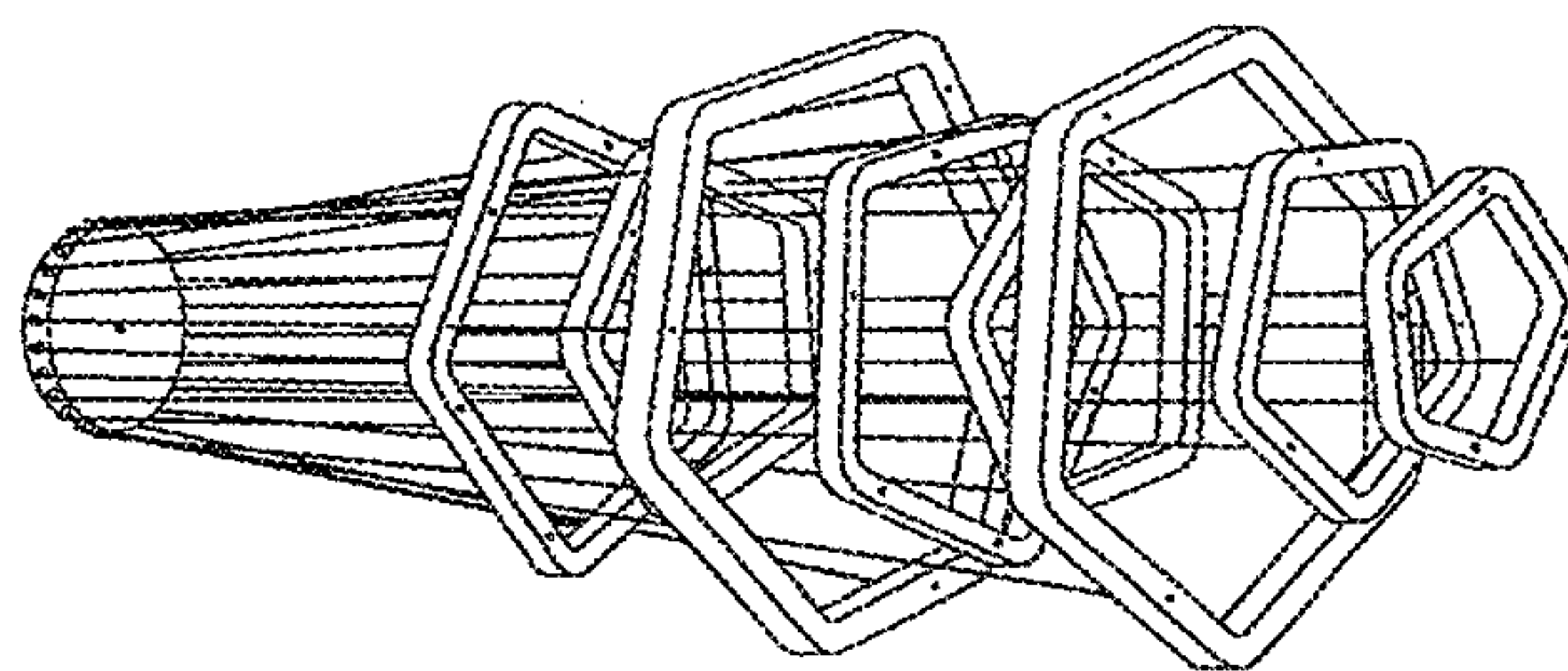


FIG. 22

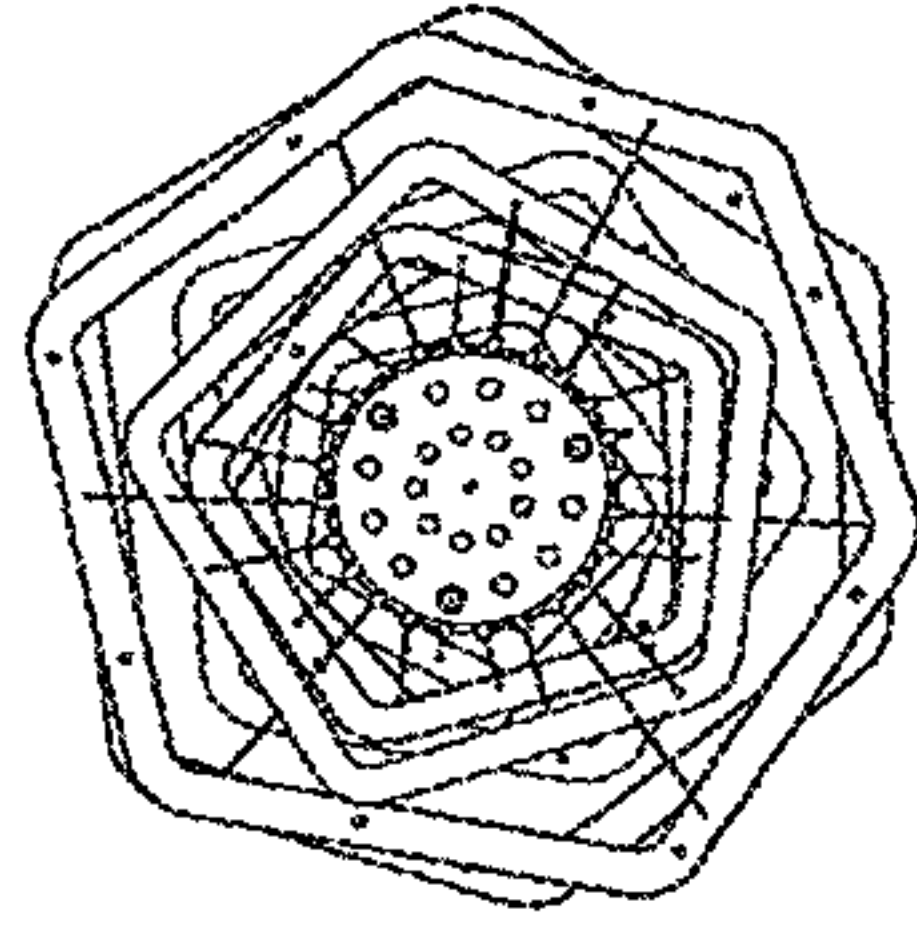


FIG. 27

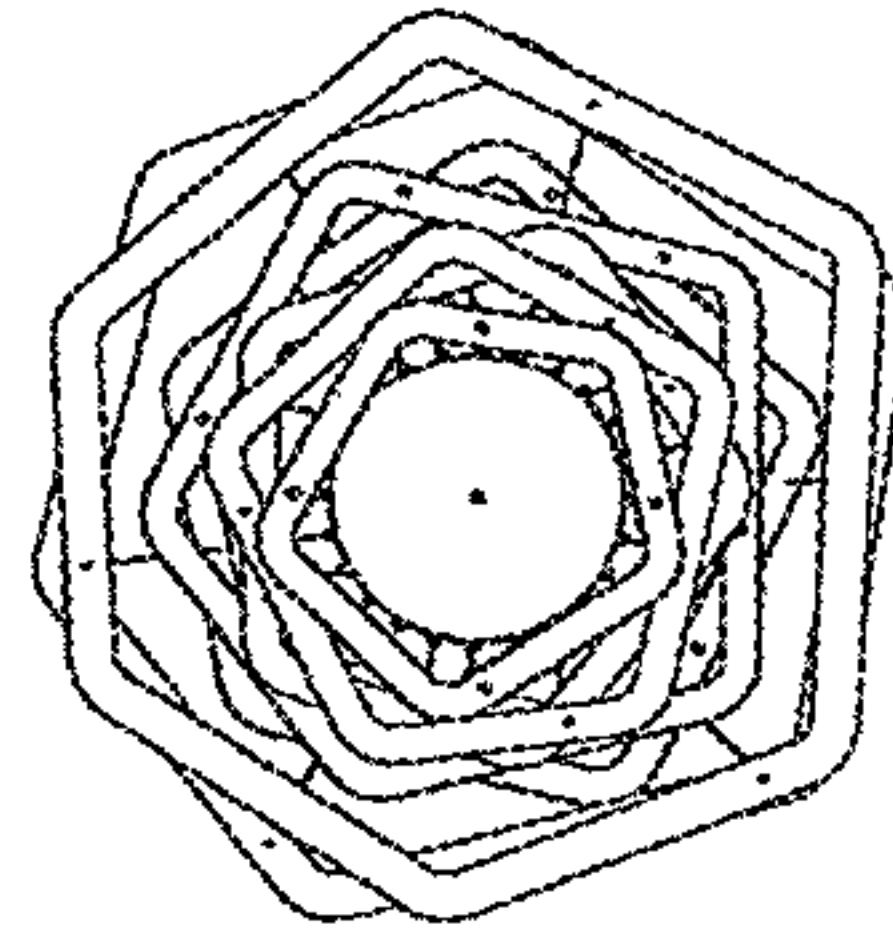


FIG. 28

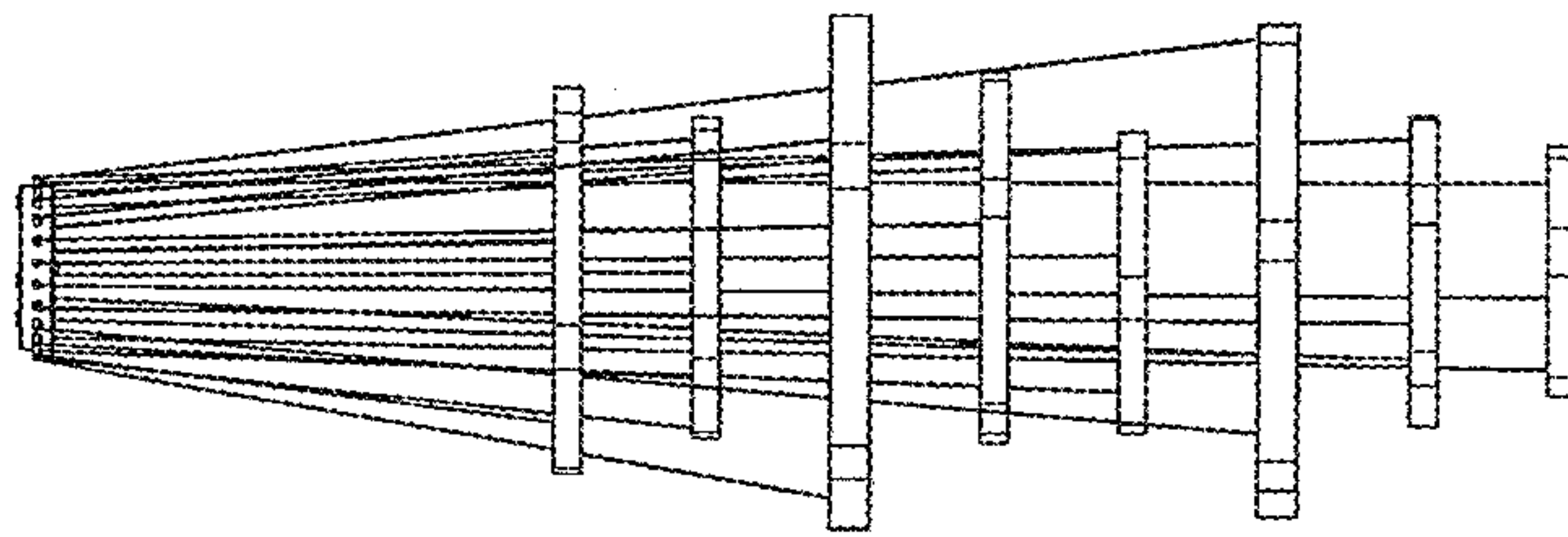


FIG. 26

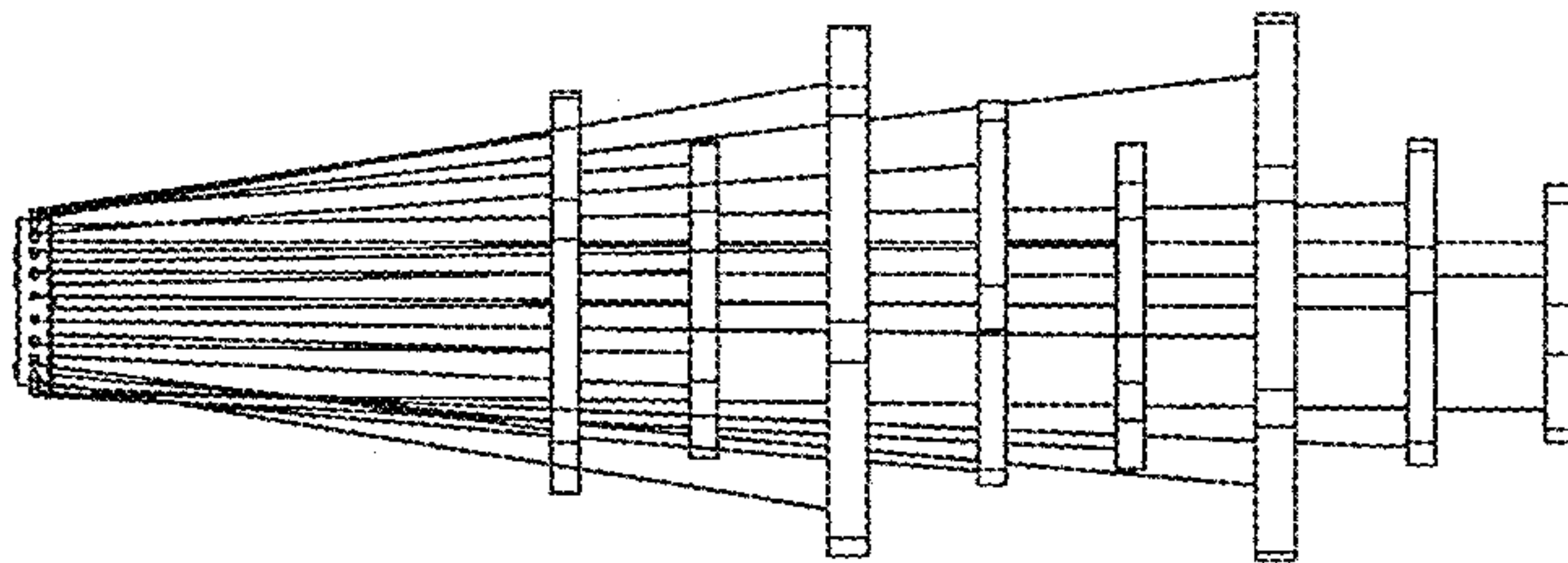


FIG. 25