



US00D810345S

(12) **United States Design Patent**
Redfern

(10) **Patent No.:** **US D810,345 S**

(45) **Date of Patent:** **** Feb. 13, 2018**

(54) **LUMINAIRE**

(71) Applicant: **Zumtobel Lighting GmbH**, Lemgo (DE)

(72) Inventor: **Christopher Redfern**, Kingwood (GB)

(73) Assignee: **ZUMTOBEL LIGHTING GMBH**, Lemgo (DE)

(**) Term: **15 Years**

(21) Appl. No.: **29/573,071**

(22) Filed: **Aug. 2, 2016**

(30) **Foreign Application Priority Data**

Feb. 2, 2016 (EM) 002968651

(51) **LOC (11) Cl.** **26-05**

(52) **U.S. Cl.**
USPC **D26/74**

(58) **Field of Classification Search**

USPC D26/74, 72, 75, 76, 77, 78, 85, 88, 89,
D26/118, 138, 141; 362/364, 365, 373,
362/145, 146, 147, 148, 150, 153, 153.1,
362/294, 296.01, 296.07, 296.08
See application file for complete search history.

(56) **References Cited**

U.S. PATENT DOCUMENTS

D690,864 S * 10/2013 Rashidi D26/74
D696,446 S * 12/2013 Huh D26/74

D696,447 S * 12/2013 Huh D26/74
D696,448 S * 12/2013 Huh D26/74
D723,728 S * 3/2015 Jeswani D26/74
D726,360 S * 4/2015 Messiaen D26/74
D739,590 S * 9/2015 Redfern D26/74
D768,326 S * 10/2016 Guzzini D26/74
D777,967 S * 1/2017 Redfern D26/74
D778,482 S * 2/2017 Guzzini D26/74
D779,099 S * 2/2017 Beck D26/74
D786,473 S * 5/2017 Dean D26/74
D790,102 S * 6/2017 Guzzini D26/74

* cited by examiner

Primary Examiner — Angela J Lee

(74) *Attorney, Agent, or Firm* — Scully Scott Murphy and Presser; Frank Digiglio

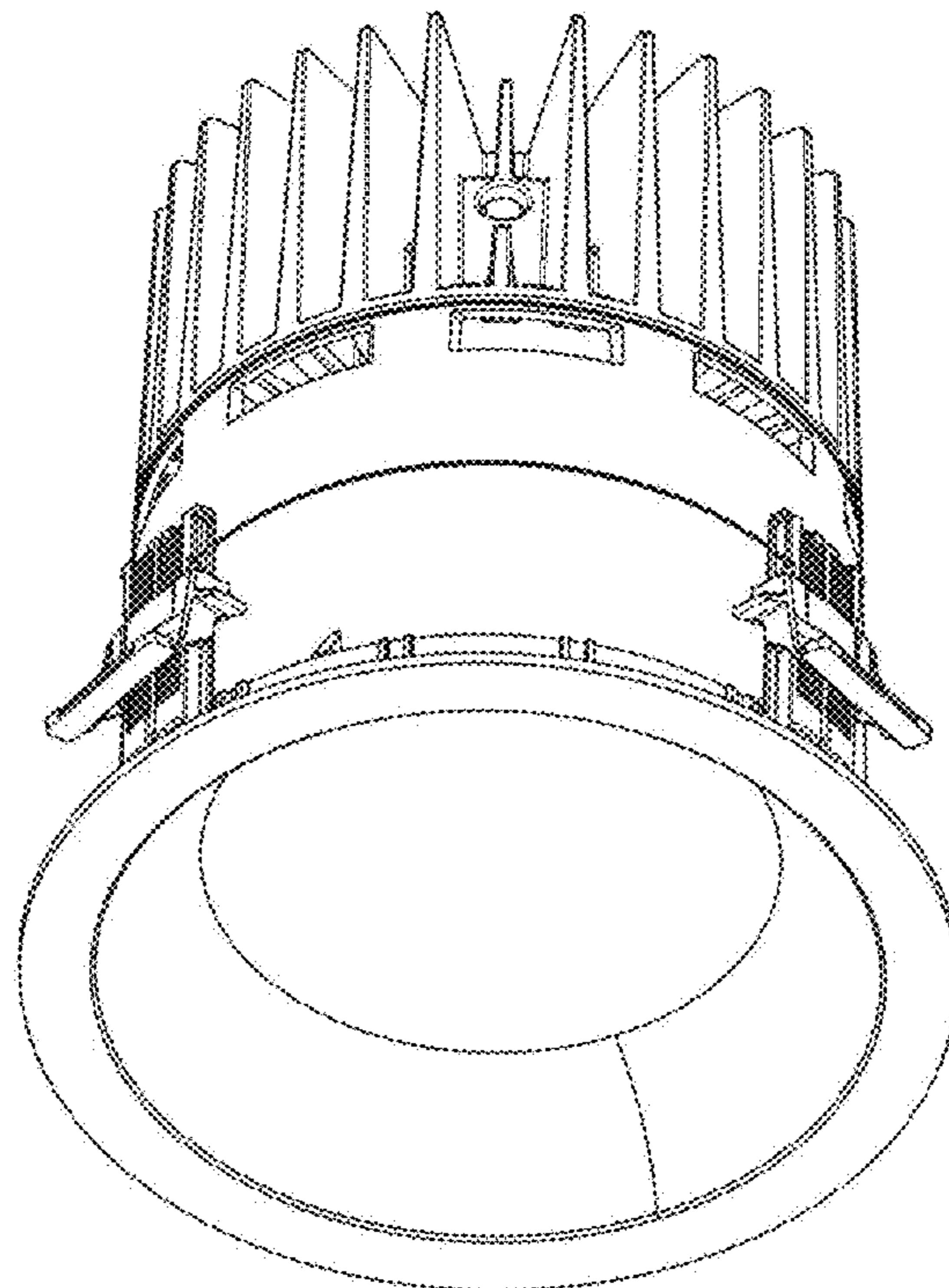
(57) **CLAIM**

The ornamental design for a luminaire, as shown and described.

DESCRIPTION

FIG. 1 illustrates a perspective view of the luminaire, showing my new and ornamental design;
FIG. 2 illustrates an alternate perspective view thereof;
FIG. 3 illustrates a side view thereof;
FIG. 4 illustrates an alternate side view thereof;
FIG. 5 illustrates an alternate side view thereof;
FIG. 6 illustrates a bottom thereof; and,
FIG. 7 illustrates a top view thereof.

1 Claim, 7 Drawing Sheets



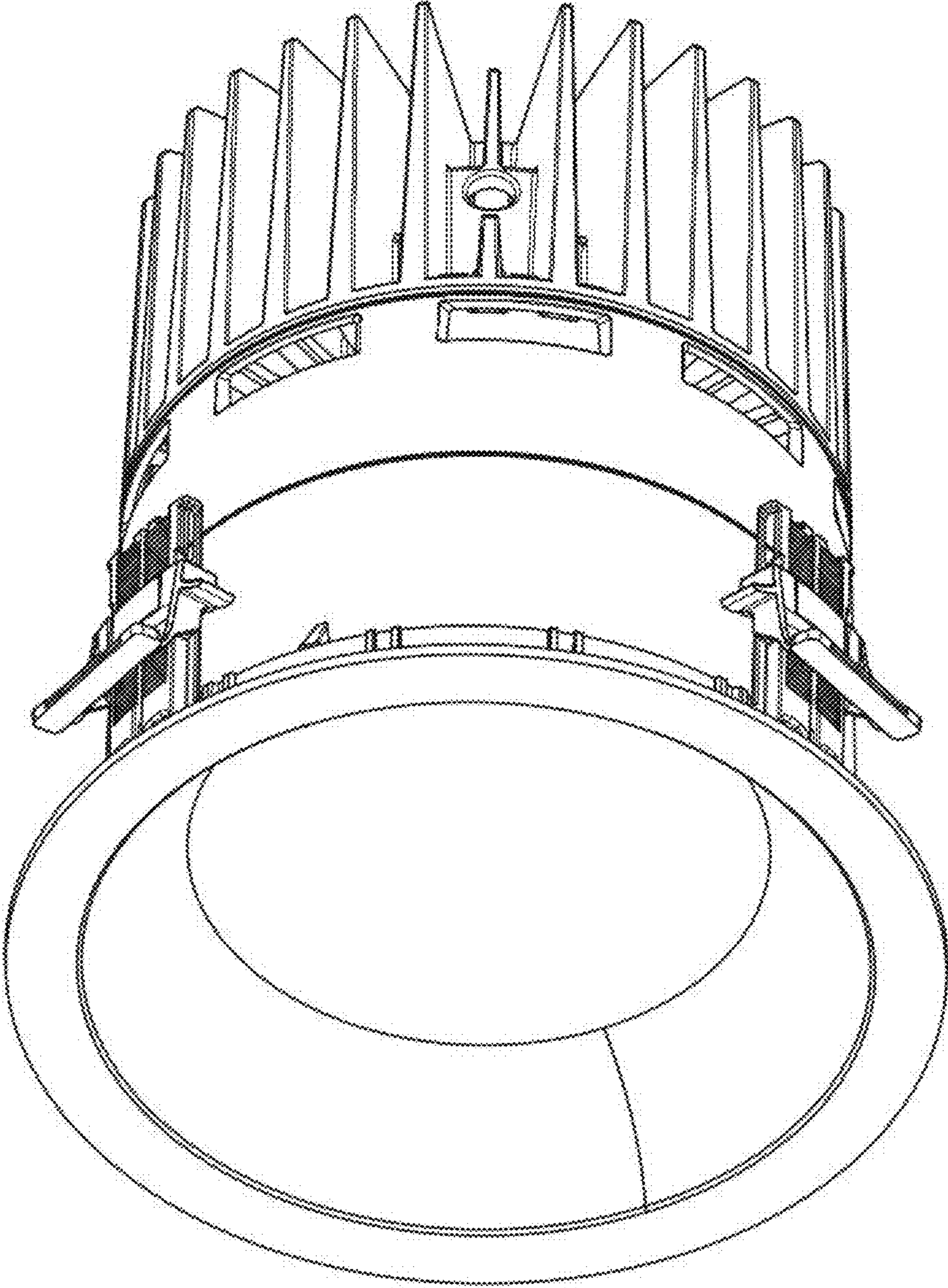


Figure 1

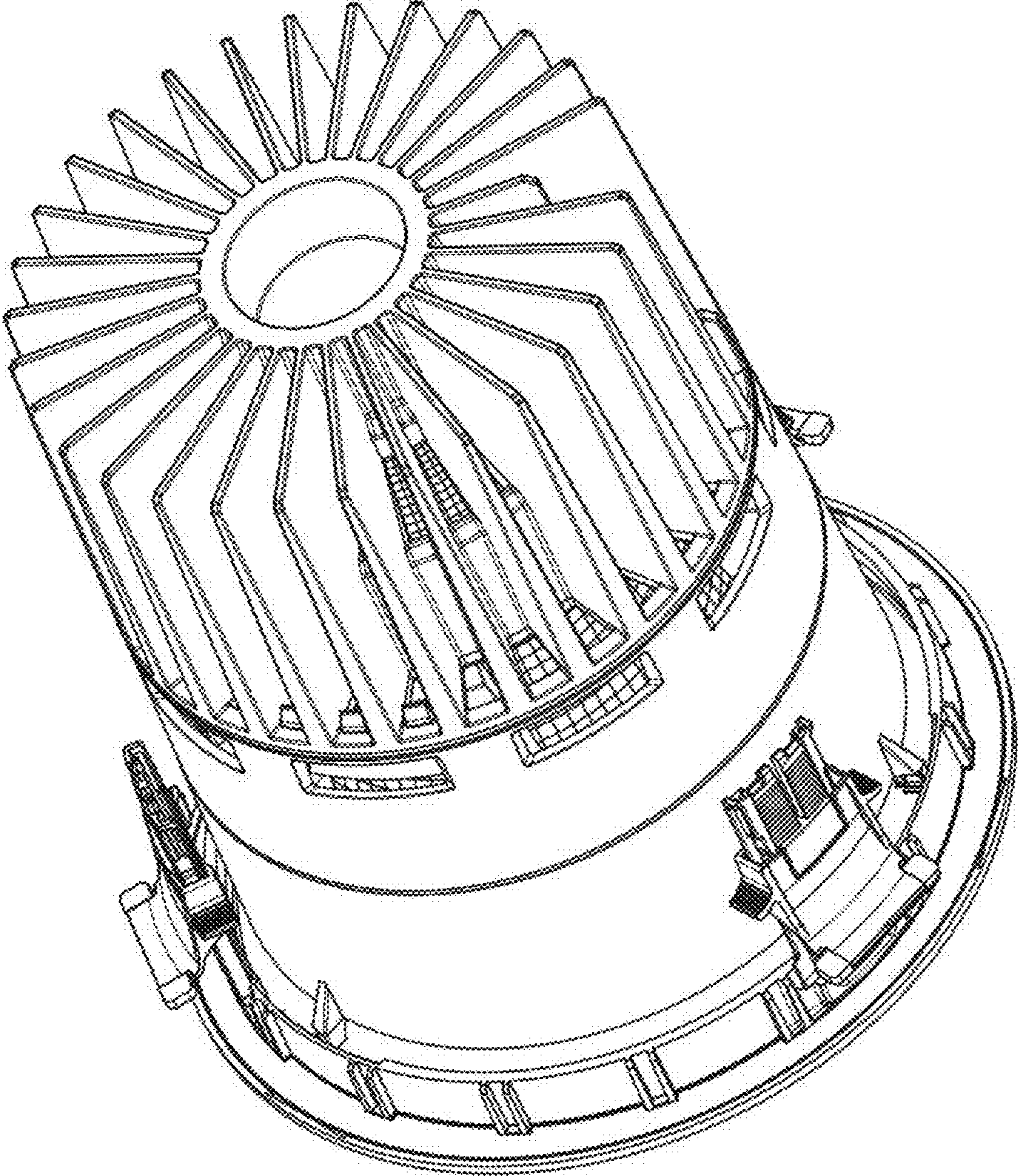


Figure 2

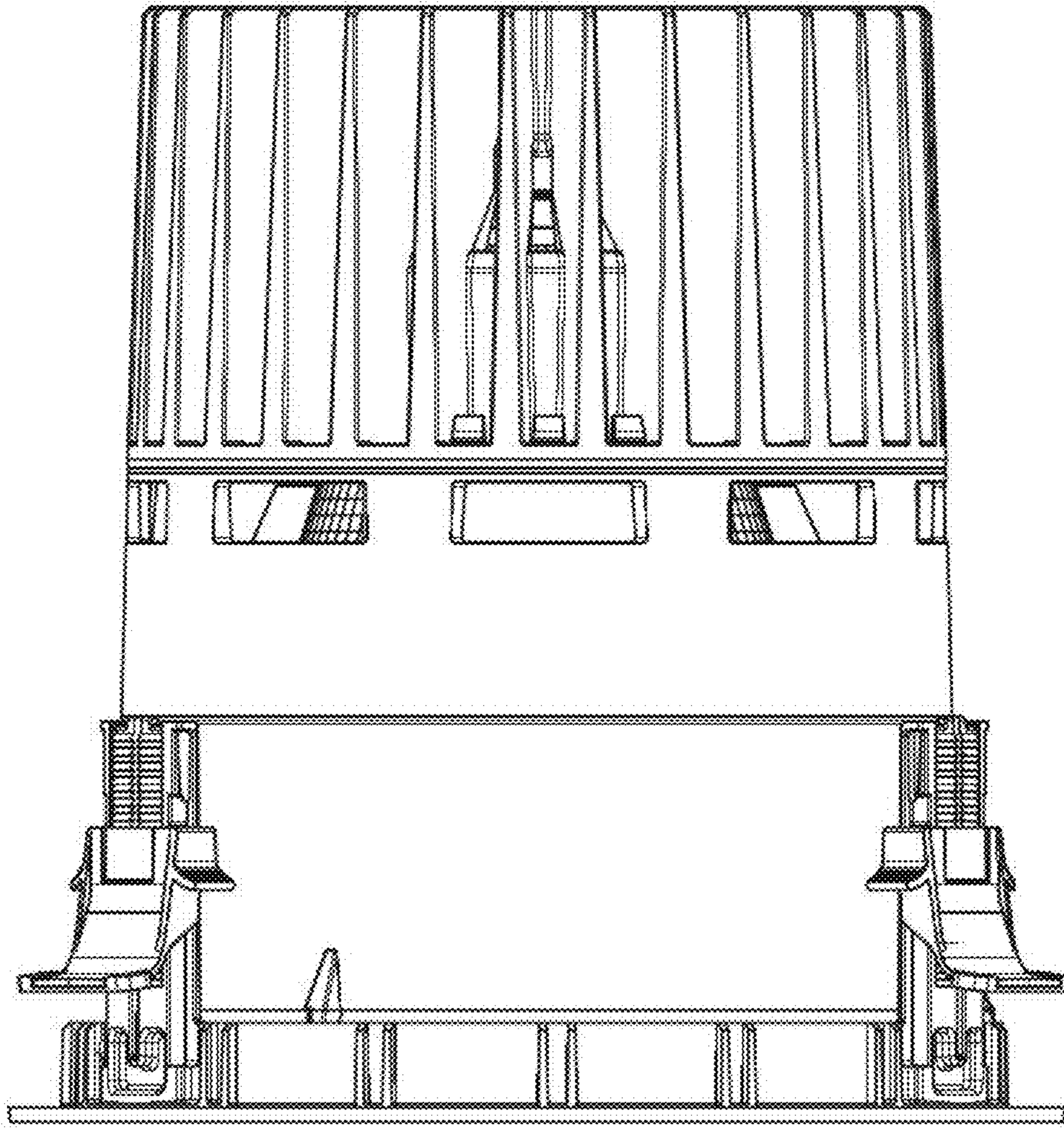


Figure 3

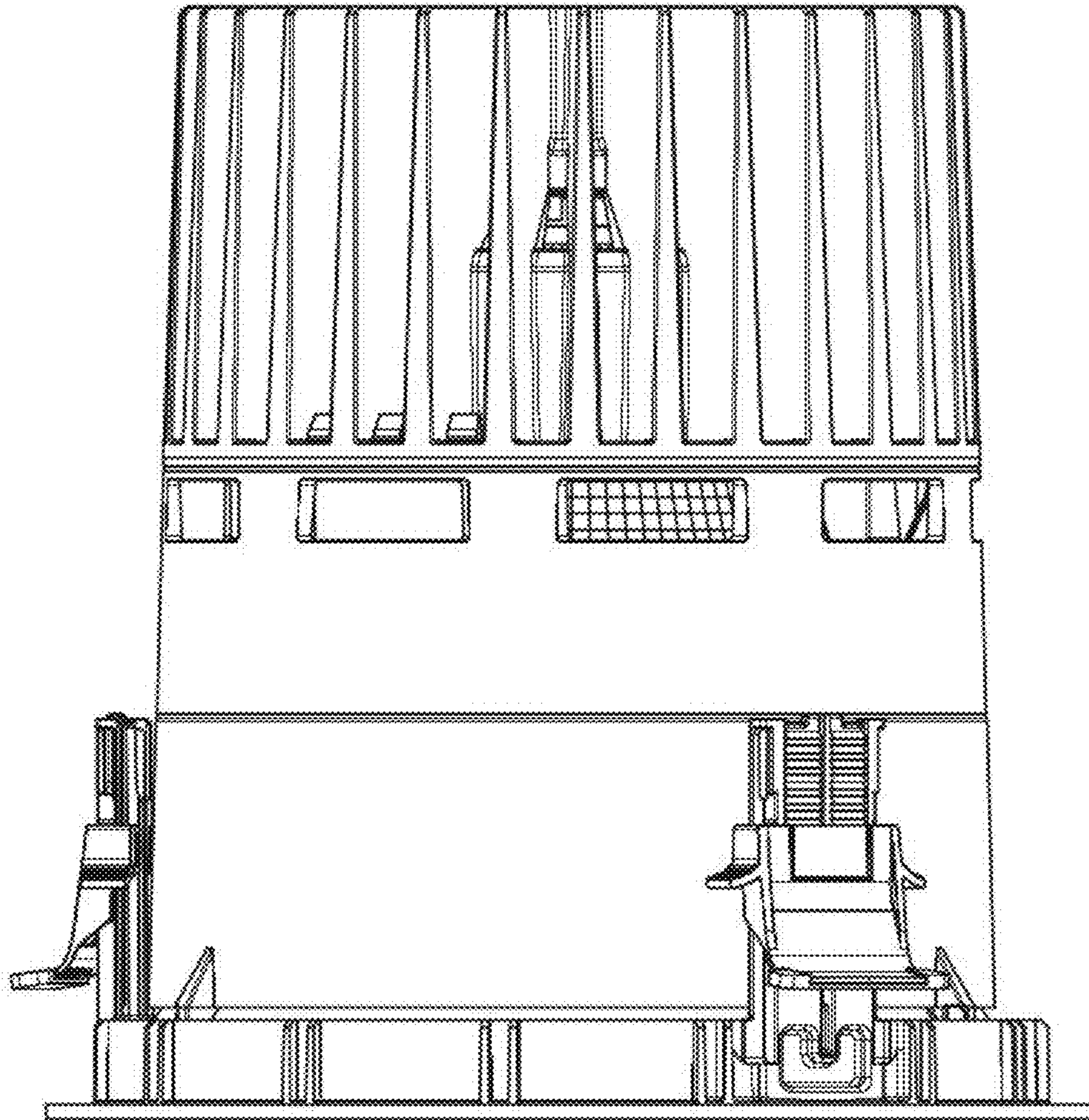


Figure 4

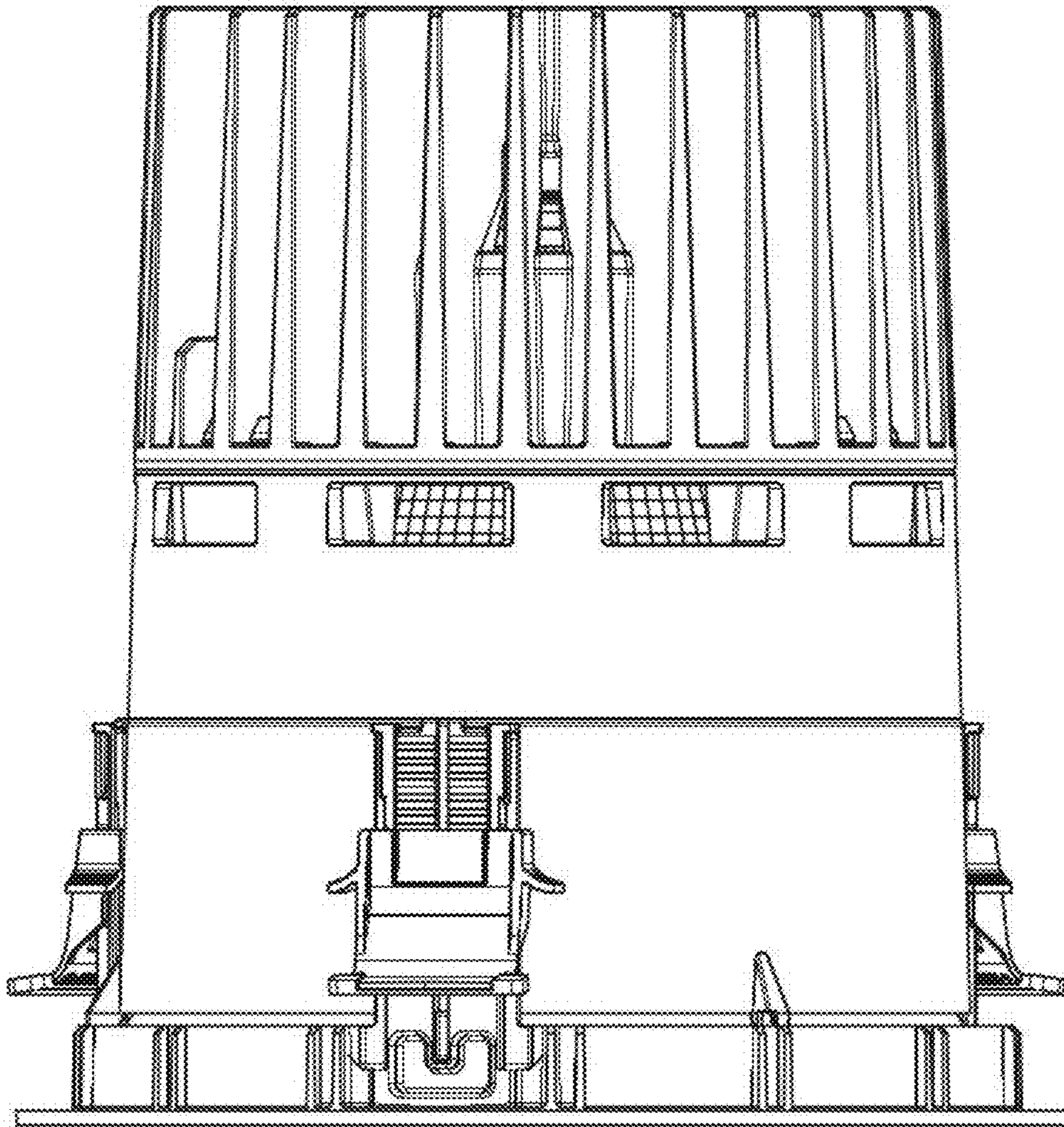


Figure 5

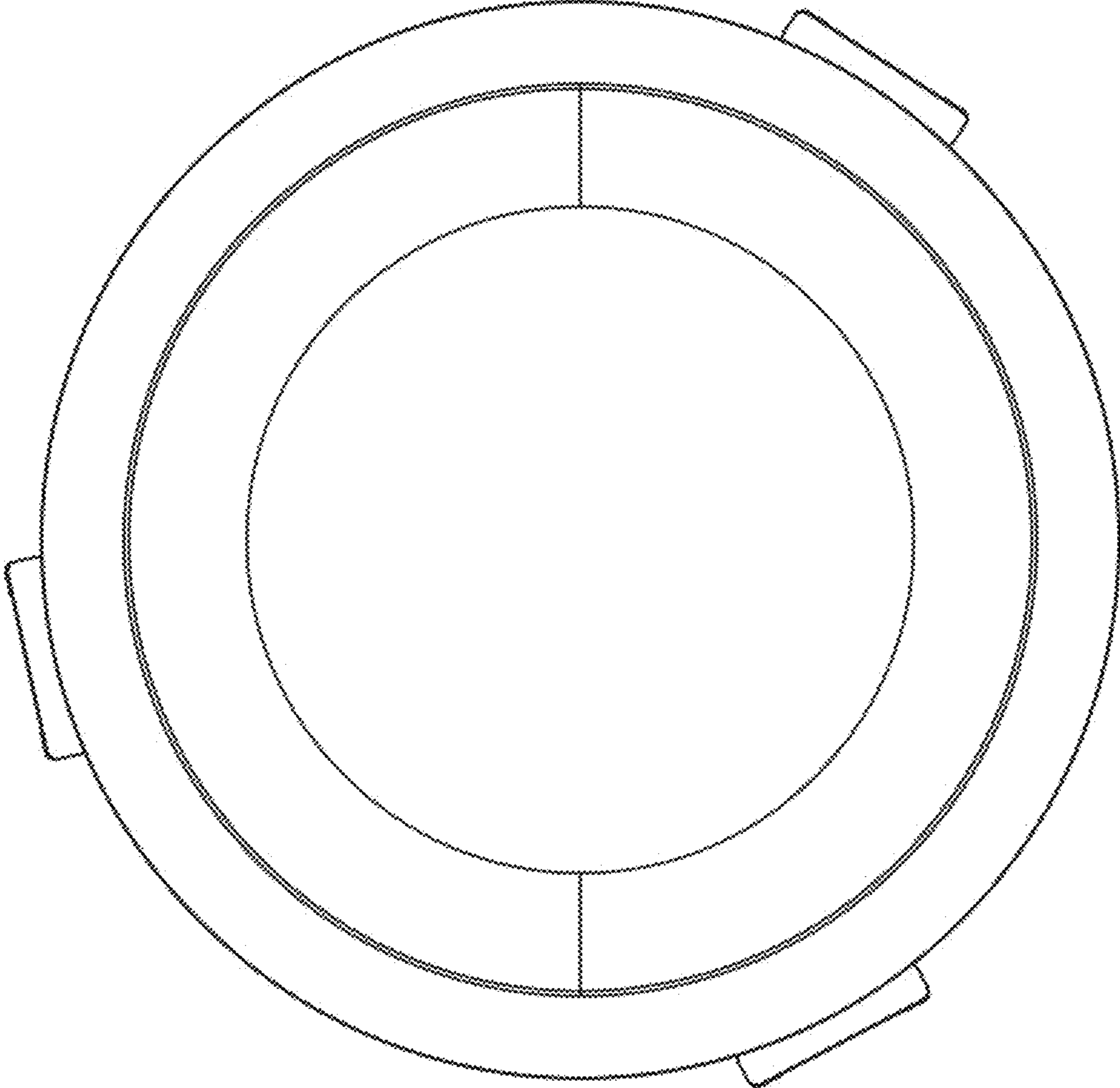


Figure 6

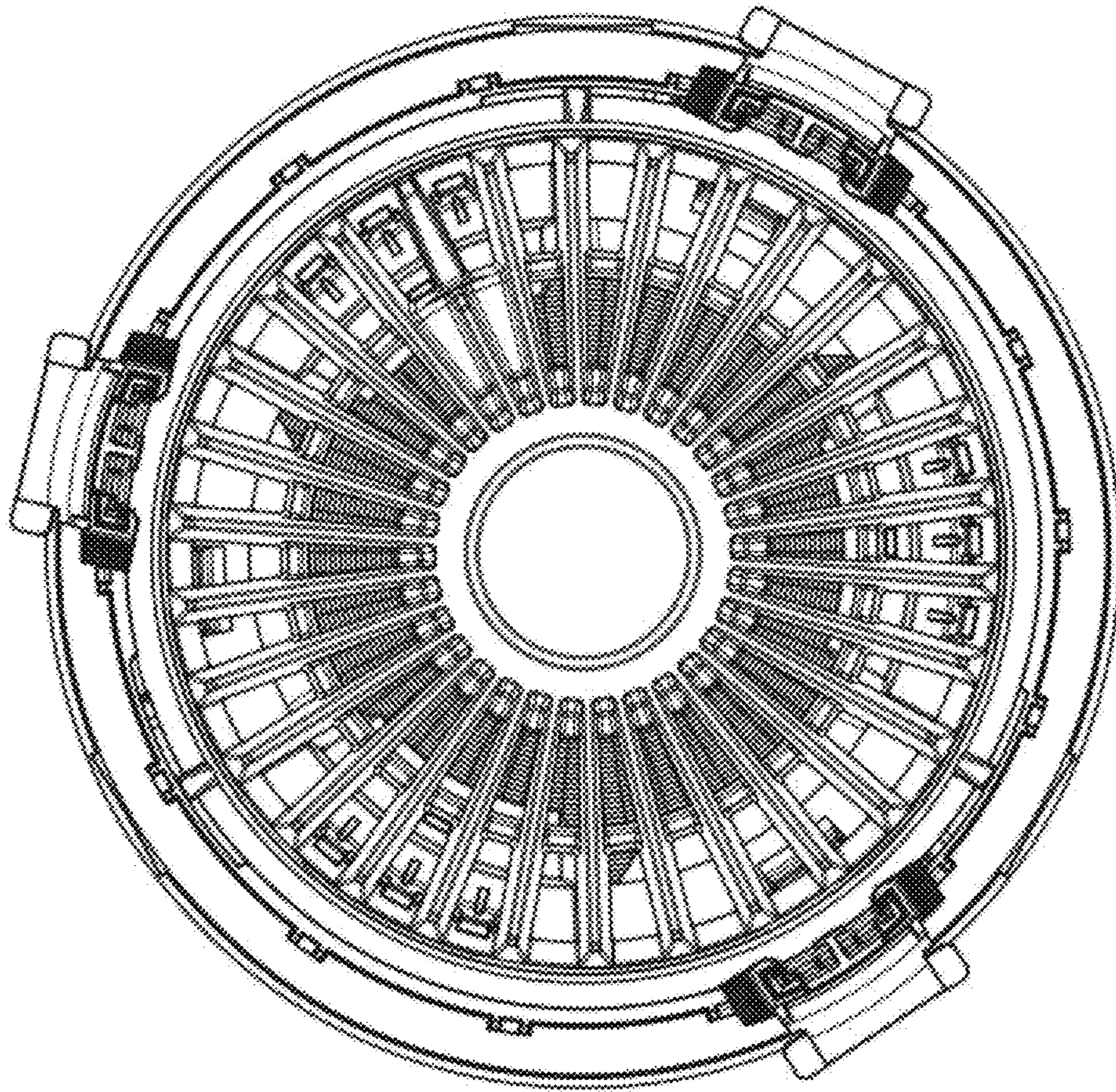


Figure 7