



US00D810343S

(12) **United States Design Patent** (10) **Patent No.:** **US D810,343 S**
Verelst (45) **Date of Patent:** **** Feb. 13, 2018**

(54) **LAMP**

CPC F21S 8/03; F21S 8/033; F21S 8/036; F21S 8/037; F21S 8/04; F21V 21/02

(71) Applicant: **PHILIPS LIGHTING HOLDING B.V.**, Eindhoven (NL)

See application file for complete search history.

(72) Inventor: **Dirk Maria Karel Rosalia Verelst**, Boechout (BE)

(56) **References Cited**

(73) Assignee: **PHILIPS LIGHTING HOLDING B.V.**, Eindhoven (NL)

U.S. PATENT DOCUMENTS

(**) Term: **15 Years**

D443,942 S *	6/2001	Dye	D26/72
D485,634 S *	1/2004	Compton	D26/72
D604,445 S *	11/2009	Ko	D26/60
D664,698 S *	7/2012	Meise	D26/72
D703,856 S *	4/2014	Shargh	D26/72
D713,584 S *	9/2014	Maxik	D26/72

(21) Appl. No.: **35/501,929**

* cited by examiner

(22) Filed: **Nov. 2, 2016**

Primary Examiner — Zenia Bennett

(80) **Hague Agreement Data**

Int. Filing Date: **Nov. 2, 2016**

Int. Reg. No.: **DM/093354**

Int. Reg. Date: **Nov. 2, 2016**

Int. Reg. Pub. Date: **Nov. 18, 2016**

(57) **CLAIM**

The ornamental design for a lamp, as shown and described.

(30) **Foreign Application Priority Data**

May 4, 2016 (EM) 003110006-0010

(51) **LOC (11) Cl.** **26-03**

(52) **U.S. Cl.**
USPC **D26/72**

DESCRIPTION

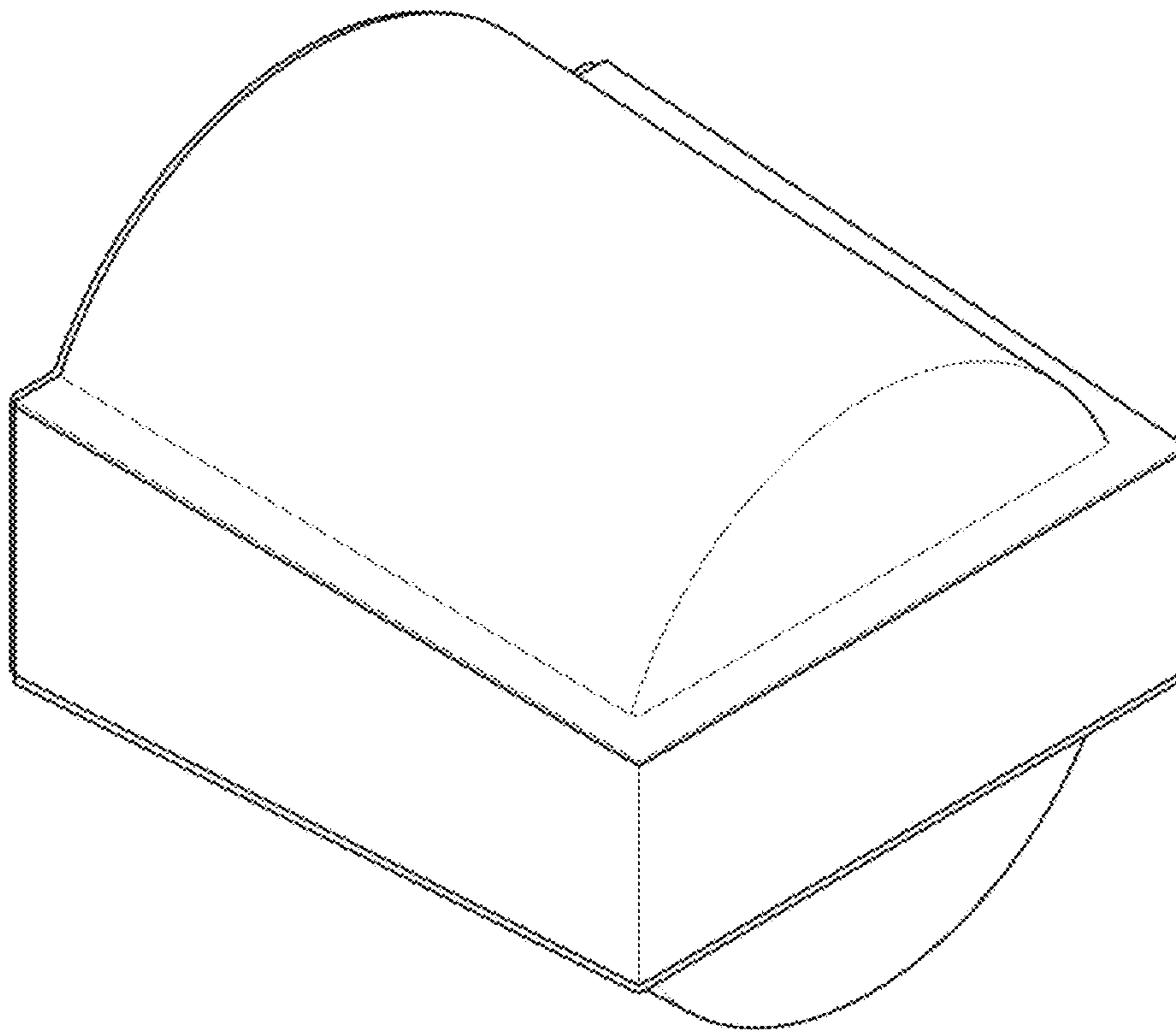
1. Lamp

- Fig. 1.1 is a perspective view;
- Fig. 1.2 is a left side elevation view;
- Fig. 1.3 is a right side elevation view;
- Fig. 1.4 is a front elevation view;
- Fig. 1.5 is a rear elevation view;
- Fig. 1.6 is a bottom plan view;
- Fig. 1.7 is a top plan view.

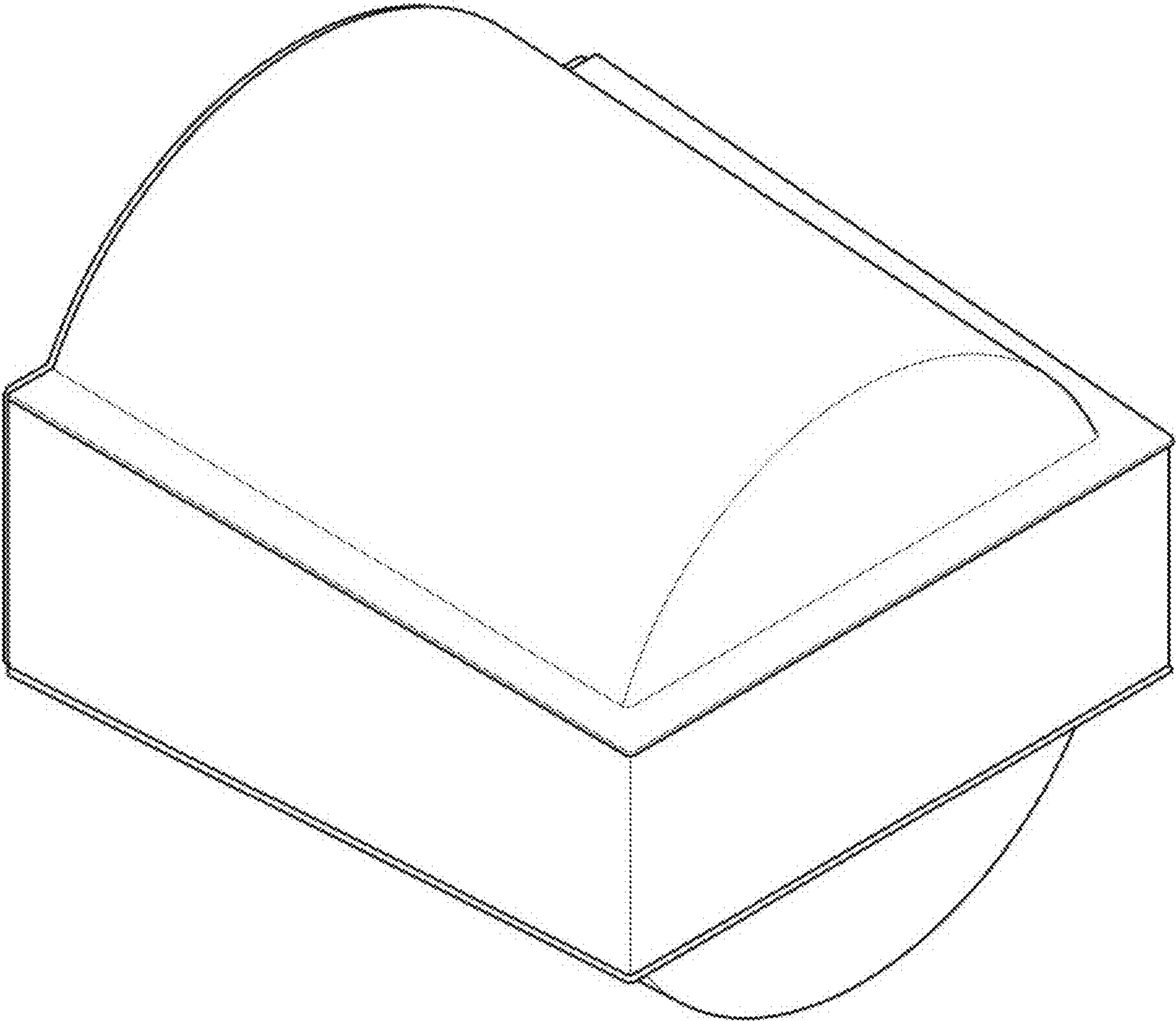
(58) **Field of Classification Search**

USPC D26/68, 72, 76, 85, 87, 118

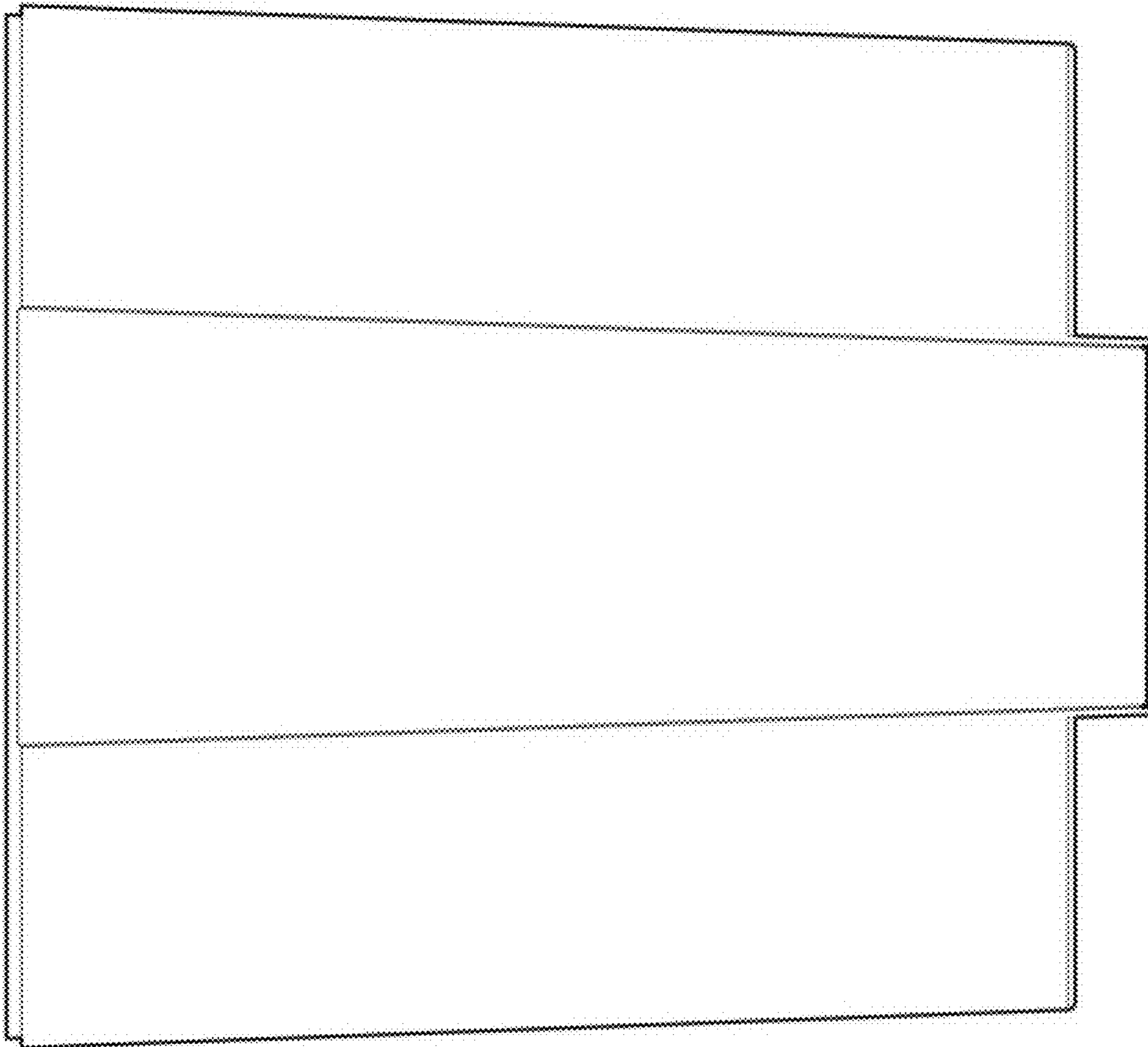
1 Claim, 7 Drawing Sheets



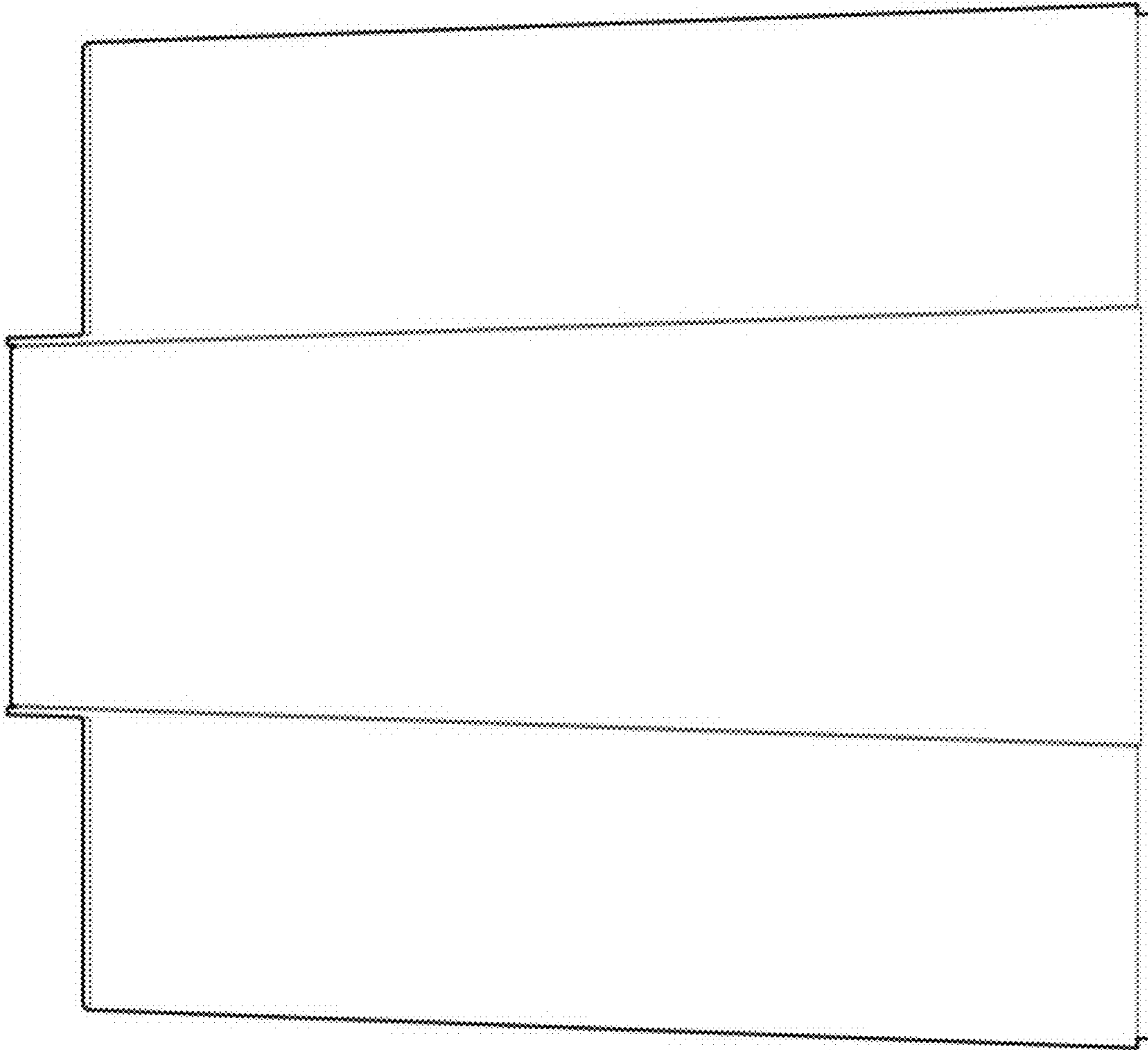
1.1



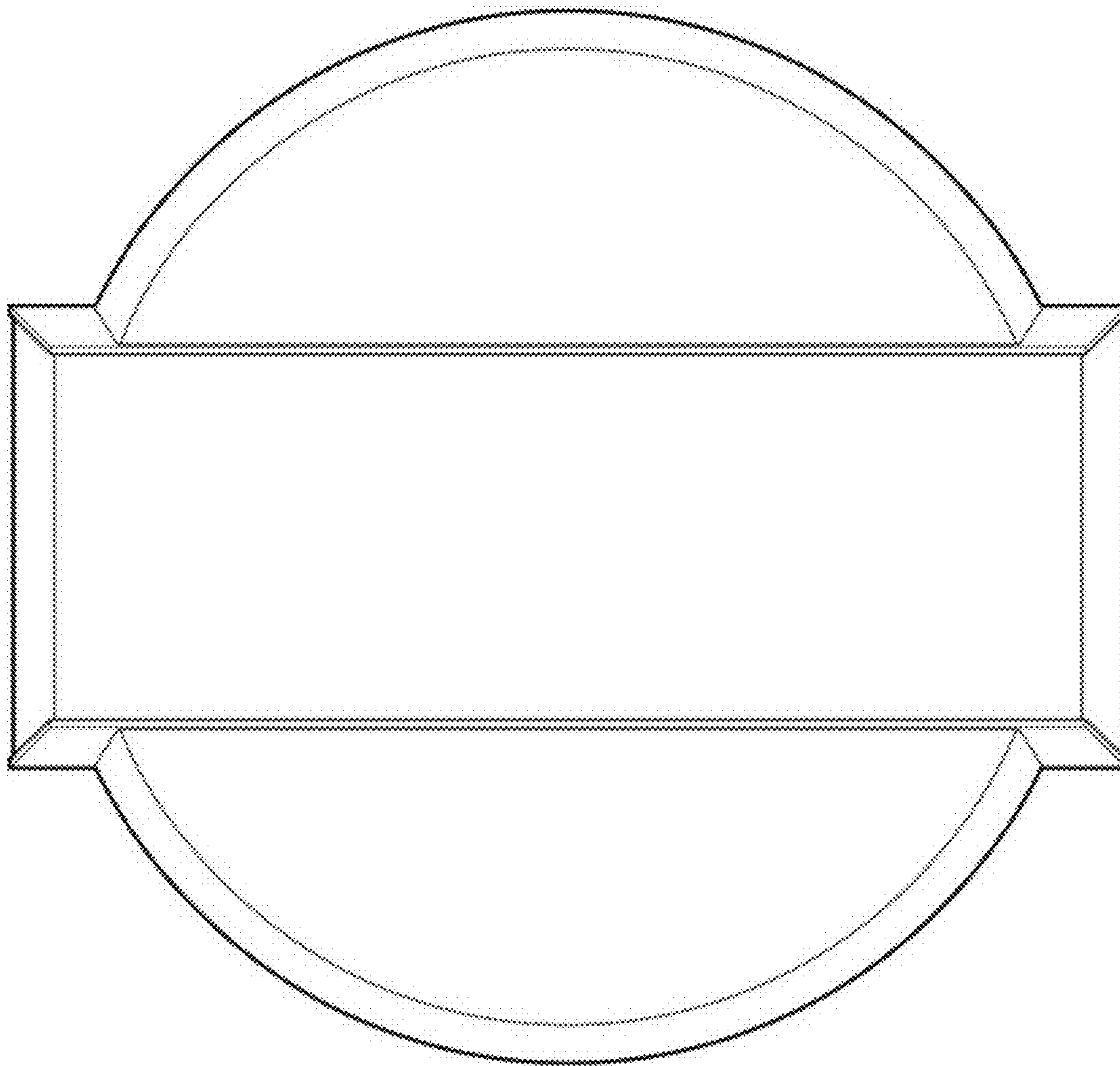
1.2



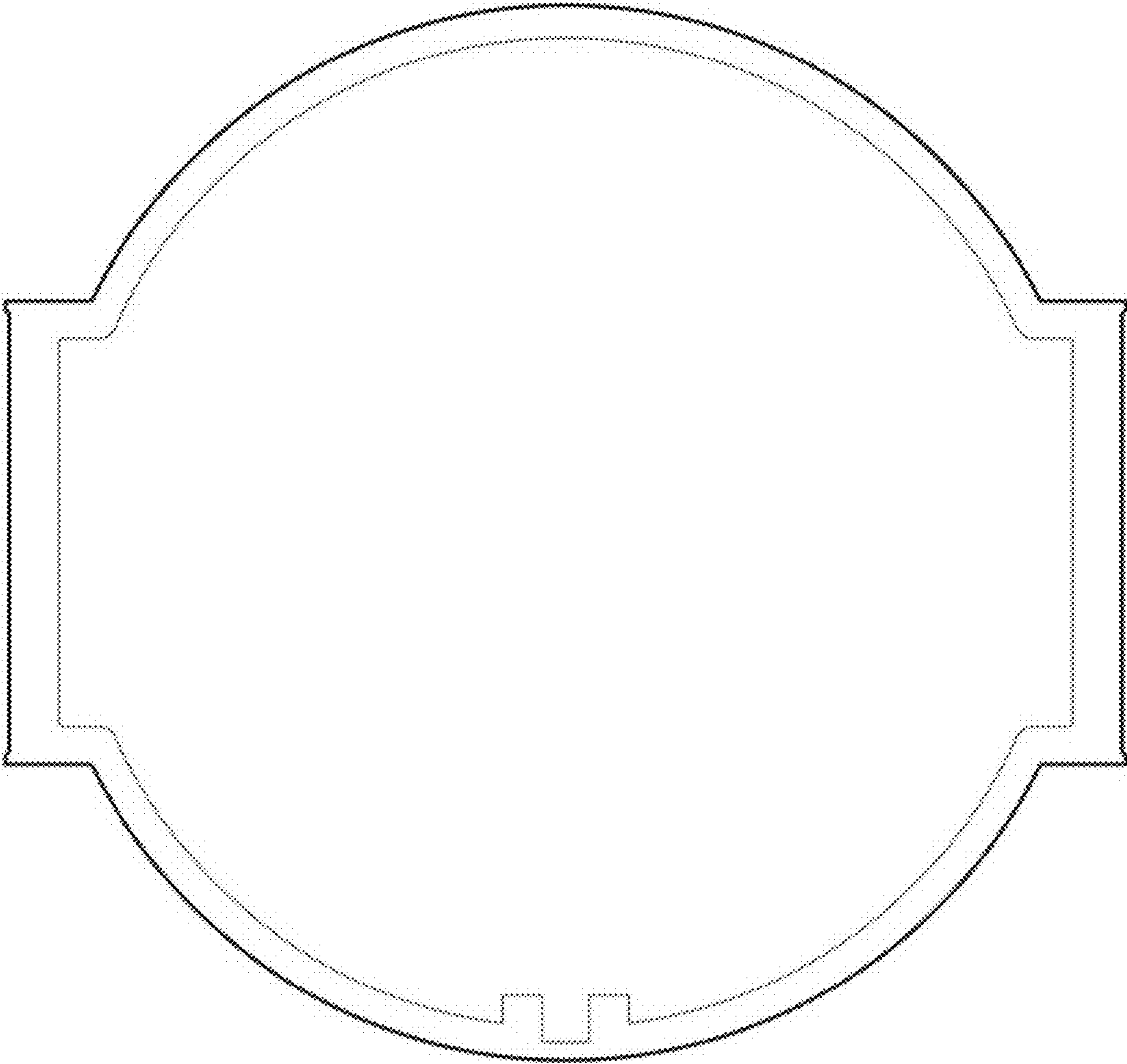
1.3



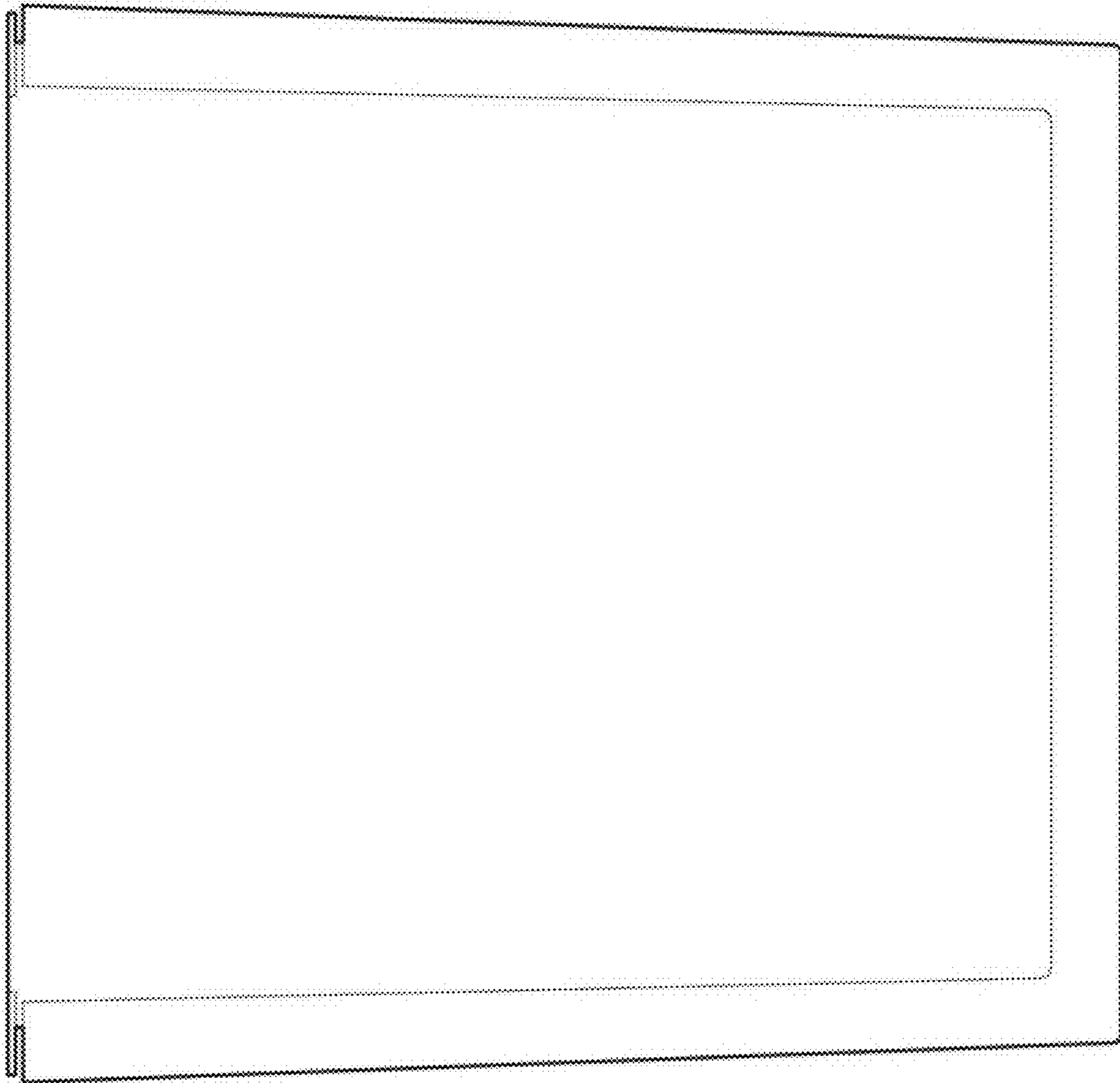
1.4



1.5



1.6



1.7

