



US00D810342S

(12) **United States Design Patent**
Chen

(10) **Patent No.:** **US D810,342 S**
(45) **Date of Patent:** **** Feb. 13, 2018**

(54) **SOLAR POWERED OUTDOOR LIGHT**

(71) Applicant: **Zhenzhong Chen**, Guangdong (CN)

(72) Inventor: **Zhenzhong Chen**, Guangdong (CN)

(**) Term: **15 Years**

(21) Appl. No.: **29/575,289**

(22) Filed: **Aug. 24, 2016**

(51) **LOC (11) Cl.** **26-05**

(52) **U.S. Cl.**
USPC **D26/68**

(58) **Field of Classification Search**

USPC D13/101, 102, 107, 184, 199; D25/55,
D25/57; D26/60-66, 67, 68, 71
CPC F21L 4/08; F21S 6/001; F21S 8/088; F21S
9/037; F21S 10/04; F21S 8/081; F21V
23/0407; F21V 23/0442; H05B 33/0803;
H05B 33/0842; H05B 33/0854; H05B
37/00; H05B 41/36

See application file for complete search history.

(56) **References Cited**

U.S. PATENT DOCUMENTS

D494,536 S *	8/2004	Pu	D13/102
D533,298 S *	12/2006	Kuelbs	D13/102
D551,789 S	9/2007	Mullen		
D615,688 S	5/2010	Chen		
D638,159 S *	5/2011	Yao	D26/63
D647,234 S	10/2011	Izardel		
D762,903 S	8/2016	Tsai		
D764,694 S *	8/2016	Tsai	D26/63
D785,224 S *	4/2017	Tsai	D26/68
2005/0103378 A1 *	5/2005	Pu	F21S 9/032 136/244
2007/0084500 A1 *	4/2007	Chen	F16M 11/14 136/244
2011/0299272 A1 *	12/2011	Ko	F21S 8/081 362/183
2012/0206276 A1 *	8/2012	Cai	G08G 1/095 340/907

OTHER PUBLICATIONS

USYAO Super Bright, posted at Amazon.com, posted on Mar. 23, 2016, [online], [site visited Jul. 17, 2017]. Available from Internet,

<<https://www.amazon.com/USYAO-Installation-Adjustable-Auto-changeable-Brightness/product-reviews/B017JRNLIIY>>.*
Apolled Solar Lights, posted at Amazon.com, posted on Jun. 13, 2016, [online], [site visited Jul. 17, 2017]. Available from Internet, <<https://www.amazon.com/APOLLED-Adjustable-Waterproof-Spotlights-Landscape/dp/B01B05SLM2>>.*
https://images-na.ssl-images-amazon.com/images/I/319RK%2BrRp7L._SY300_.jpg.
[http://homebase.scene7.com/is/image/homebase/459272__R_Z001?\\$LISTER\\$](http://homebase.scene7.com/is/image/homebase/459272__R_Z001?$LISTER$).
<http://www.theecostore.co.uk/wp-content/uploads/2015/04/sportlight.jpg>.
<http://www.envirogadget.com/wp-content/uploads/2009/03/solar-flood-light.jpg>.
<http://www.bestbackyardfirepit.com/wp-content/uploads/2015/11/Amir-LED-Solar-Spotlight-Solar-Powered-Outdoor-Wall-Light-Waterproof-180angle-Adjustable-Auto-on-At-NightAuto-off-By-Day-Solar-Outdoor-Lighting-Spotlights-Security-Lighting-Path-Lights-In-ground-Light-0.jpg>.

* cited by examiner

Primary Examiner — Mary Ann Calabrese

Assistant Examiner — Catherine Ho

(74) *Attorney, Agent, or Firm* — Raj Abhyanker, P.C.

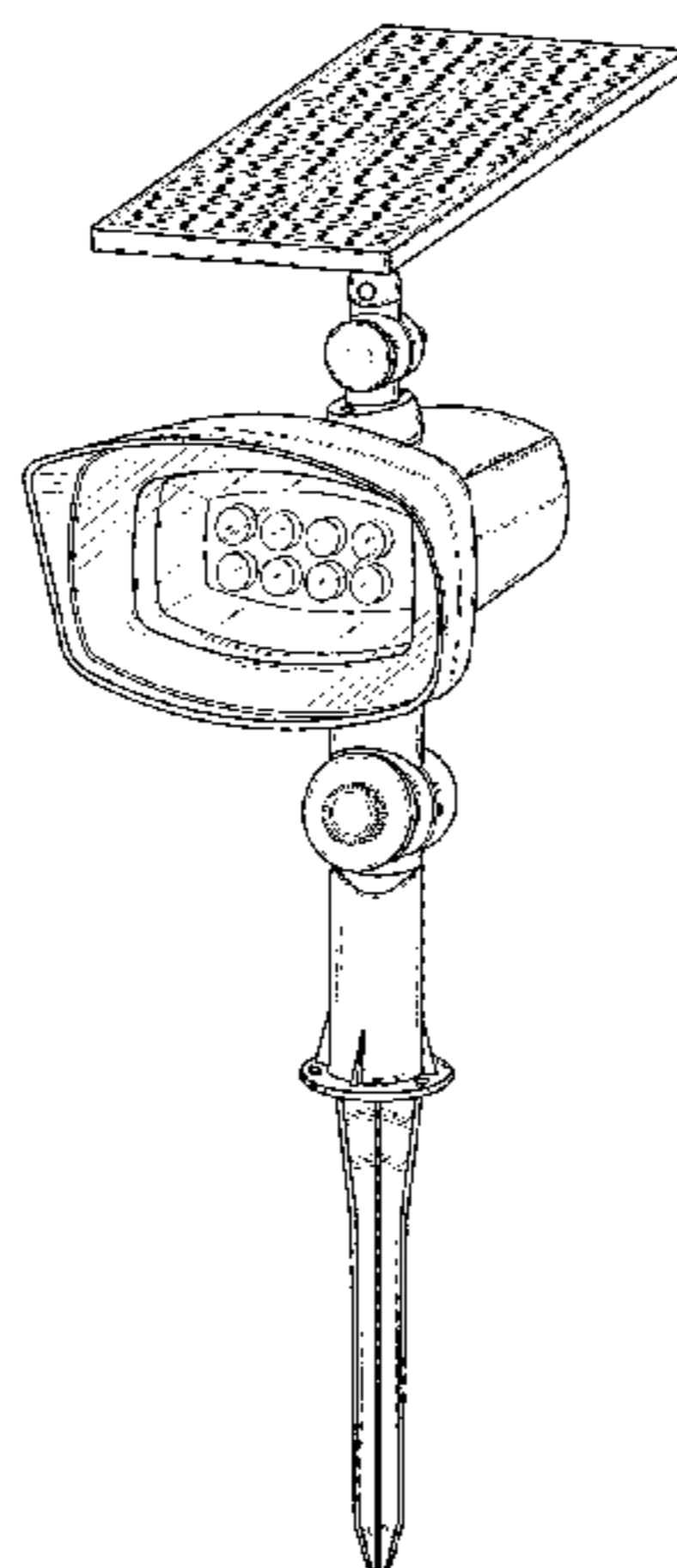
(57) **CLAIM**

The ornamental design for a solar powered outdoor light, as shown and described.

DESCRIPTION

FIG. 1 a front-right perspective view for a solar powered outdoor light, showing my new design;
FIG. 2 is a front elevational view of FIG. 1 thereof;
FIG. 3 is a rear elevational view of FIG. 1 thereof;
FIG. 4 is a right side elevational view of FIG. 1 thereof;
FIG. 5 is a left side elevational view of FIG. 1 thereof;
FIG. 6 is a top plan view of FIG. 1 thereof; and,
FIG. 7 is a bottom plan view of FIG. 1 thereof.
The broken line portion of the figure drawings is included to show portions of the article that forms no part of the claimed design.

1 Claim, 7 Drawing Sheets



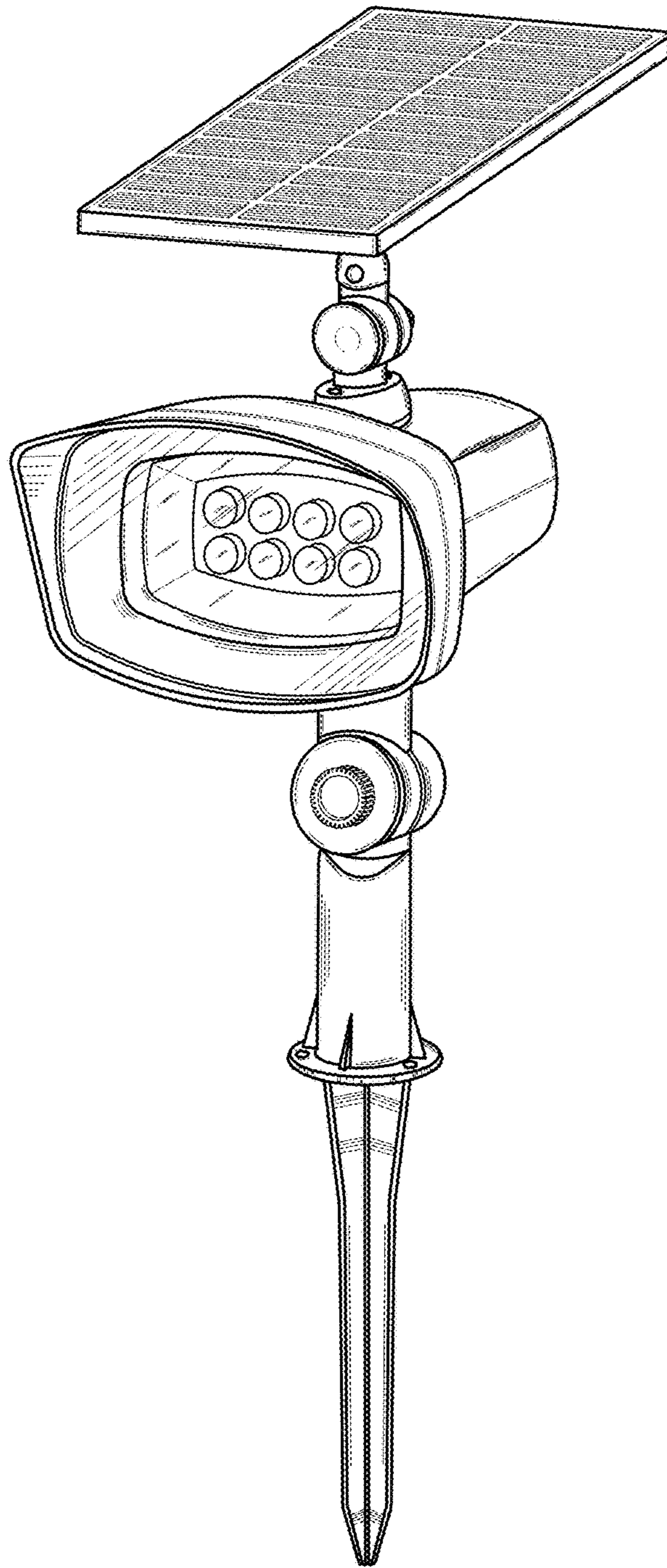


FIG.1

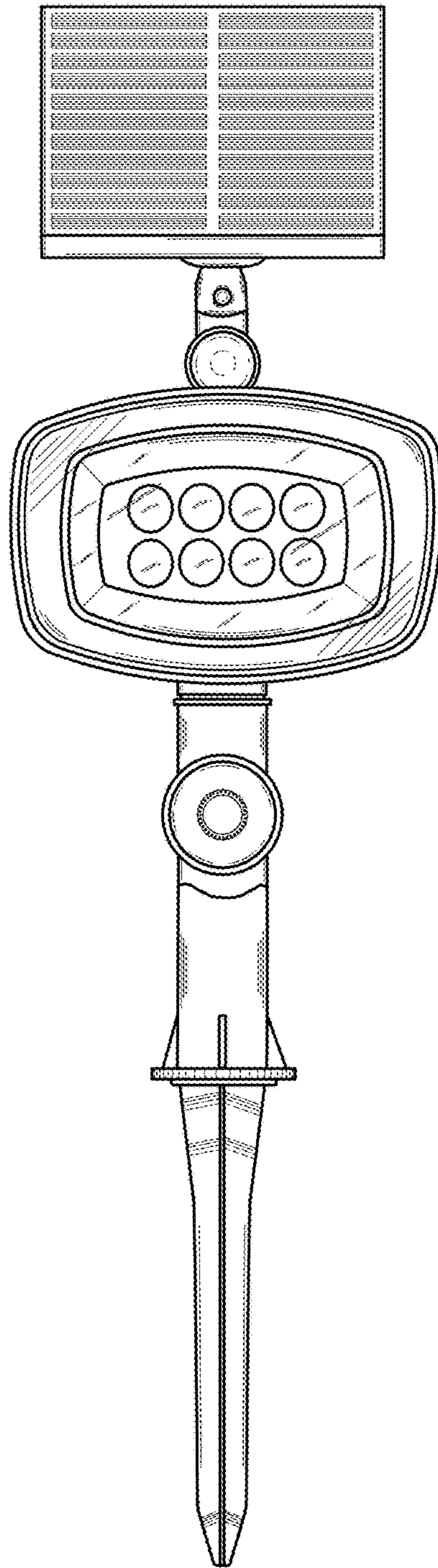


FIG.2

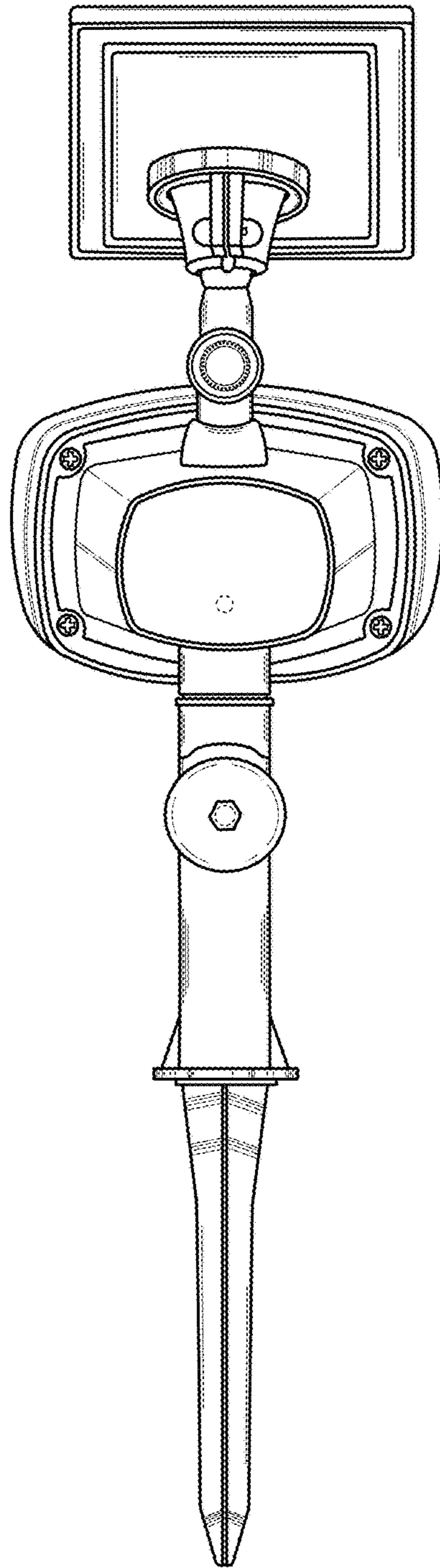


FIG.3

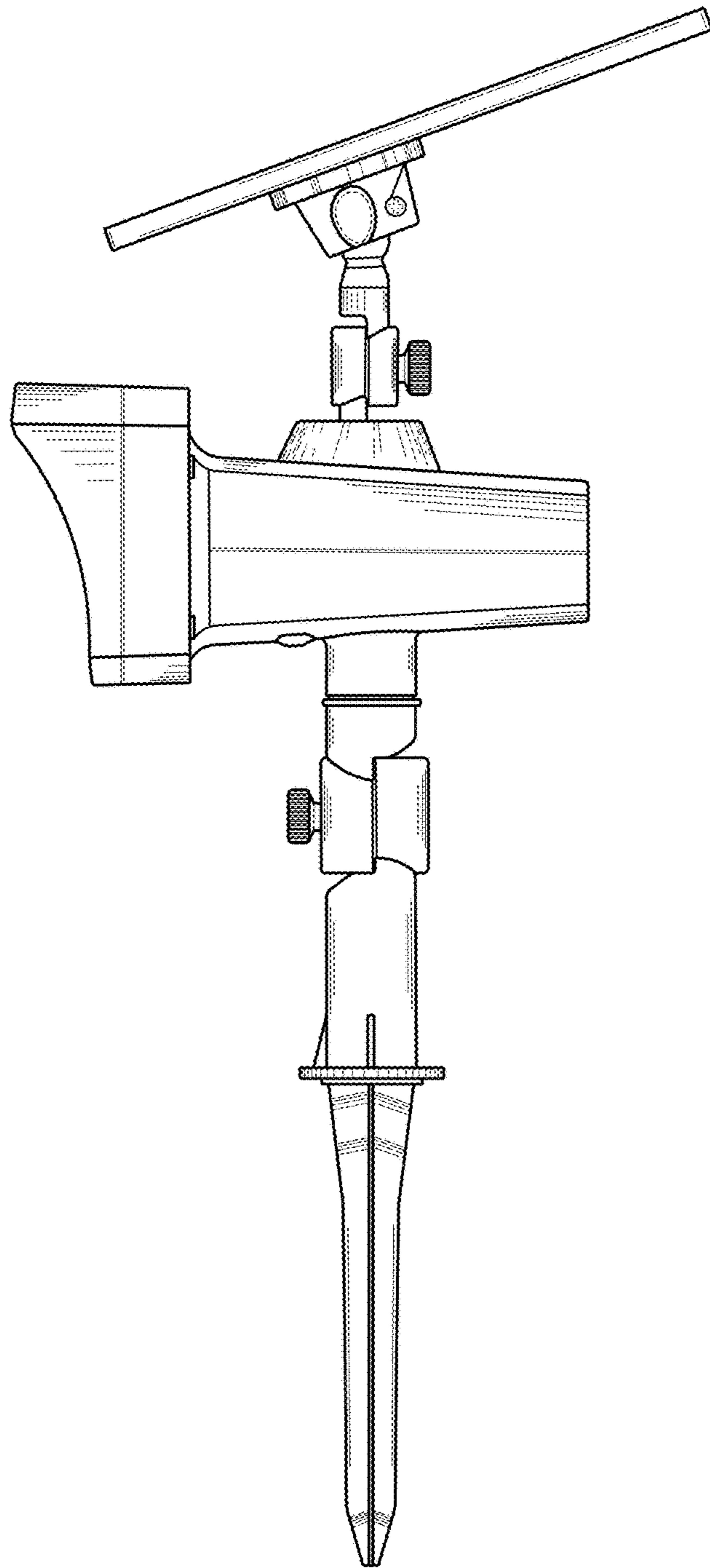


FIG.4

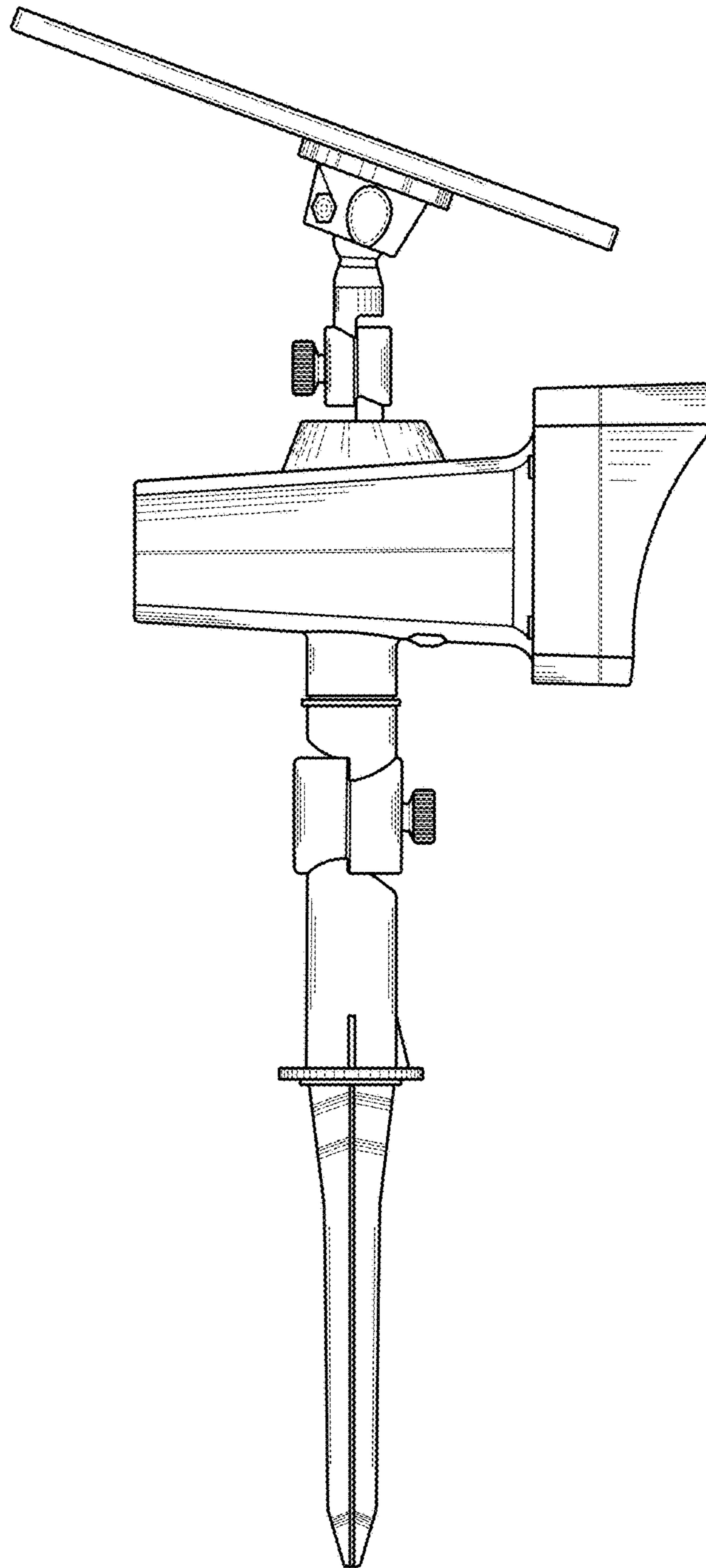


FIG.5

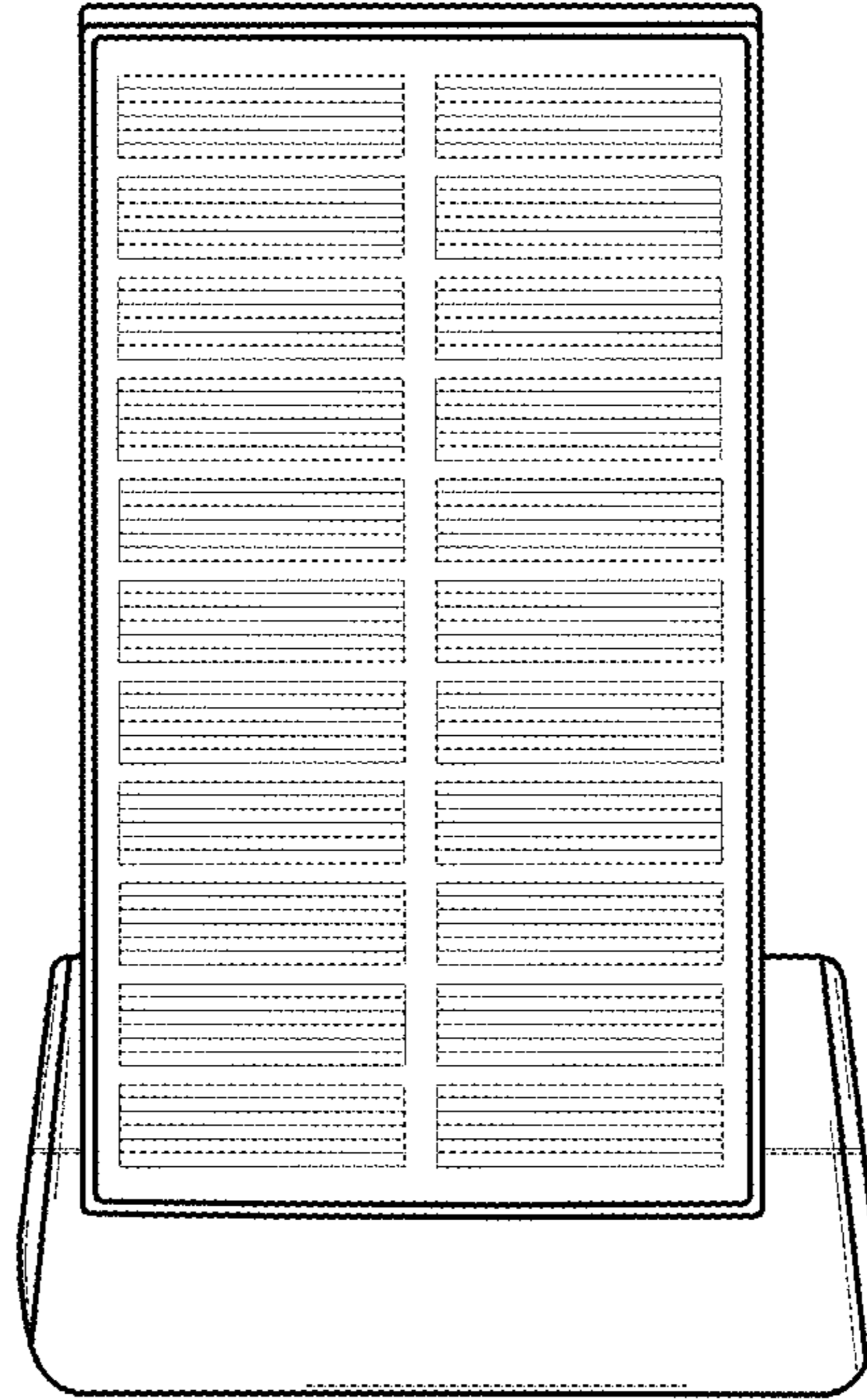


FIG.6

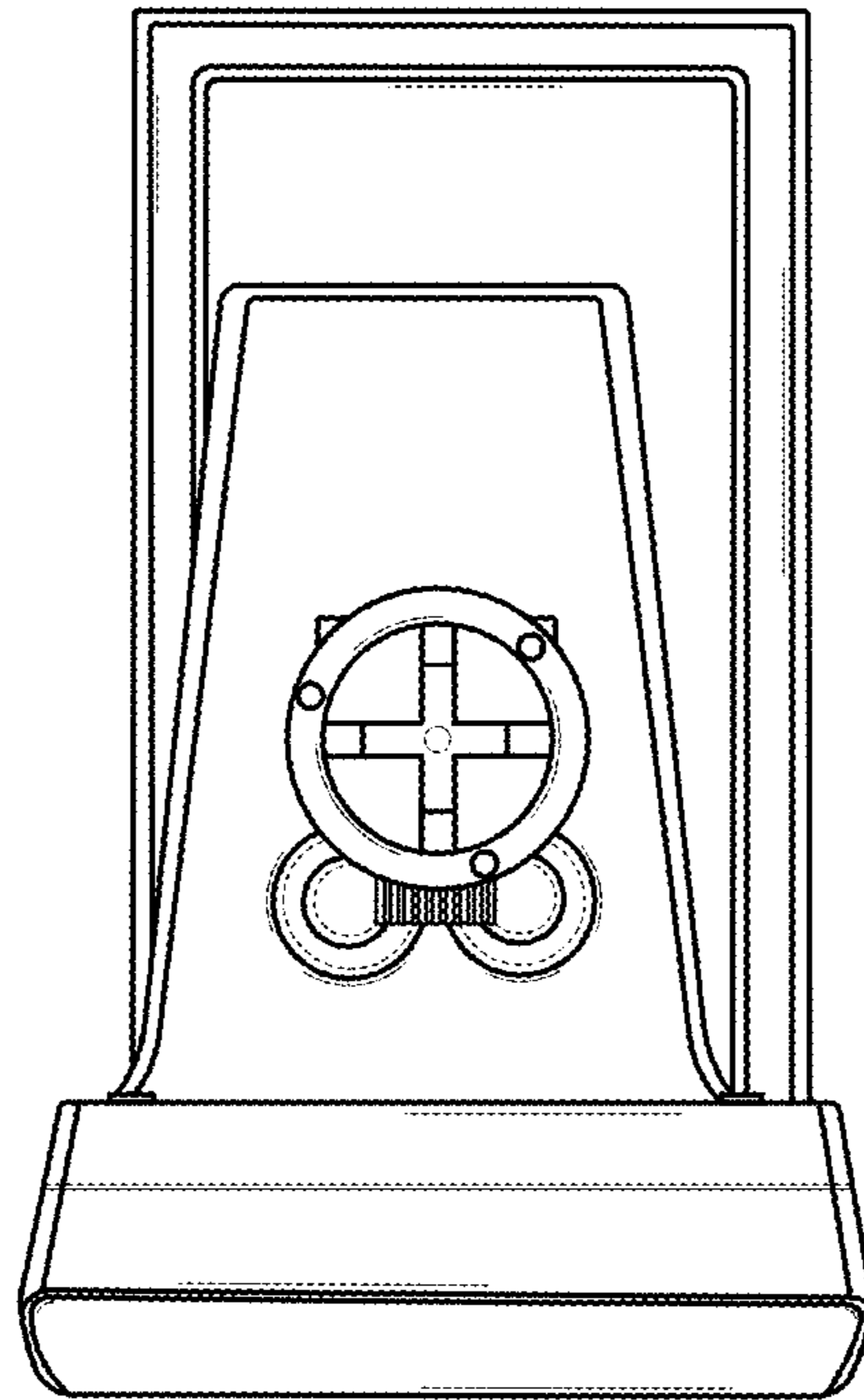


FIG.7