



US00D810339S

(12) **United States Design Patent**  
**Peng et al.**

(10) **Patent No.:** **US D810,339 S**

(45) **Date of Patent:** **\*\* Feb. 13, 2018**

(54) **BICYCLE LAMP**

(56) **References Cited**

(71) Applicant: **Dongguan TOP Shine Light Technology Co., Ltd**, Dongguan (CN)

U.S. PATENT DOCUMENTS

(72) Inventors: **Jian Peng**, Dongguan (CN); **Jin Luo**, Dongguan (CN)

D526,079 S *	8/2006	Heun .....	D26/60
D678,562 S *	3/2013	Chan .....	D26/28
D757,311 S *	5/2016	Nagano .....	D26/28
D786,660 S *	5/2017	Cacciabeve .....	D26/60

(73) Assignee: **DONGGUAN TOP SHINE LIGHT TECHNOLOGY CO., LTD**, Dongguan (CN)

\* cited by examiner

(\*\*) Term: **15 Years**

*Primary Examiner* — Brian N. Vinson

(21) Appl. No.: **29/584,942**

(74) *Attorney, Agent, or Firm* — Ming Chow; Sinorica, LLC

(22) Filed: **Nov. 18, 2016**

(57) **CLAIM**

The ornamental design for a bicycle lamp, as shown and described.

(30) **Foreign Application Priority Data**

**DESCRIPTION**

Jul. 14, 2016 (CN) ..... 2016 3 0322642

(51) **LOC (11) Cl.** ..... **26-03**

(52) **U.S. Cl.**  
USPC ..... **D26/60**

(58) **Field of Classification Search**  
USPC ..... D26/28, 60-63  
CPC .... B62J 6/001; B62J 6/02; B62J 6/003; F21S 4/00; F21V 21/00

FIG. 1 is a perspective view of the bicycle lamp showing our new design;

FIG. 2 is a front elevation view thereof;

FIG. 3 is a rear elevation view thereof;

FIG. 4 is left side view thereof;

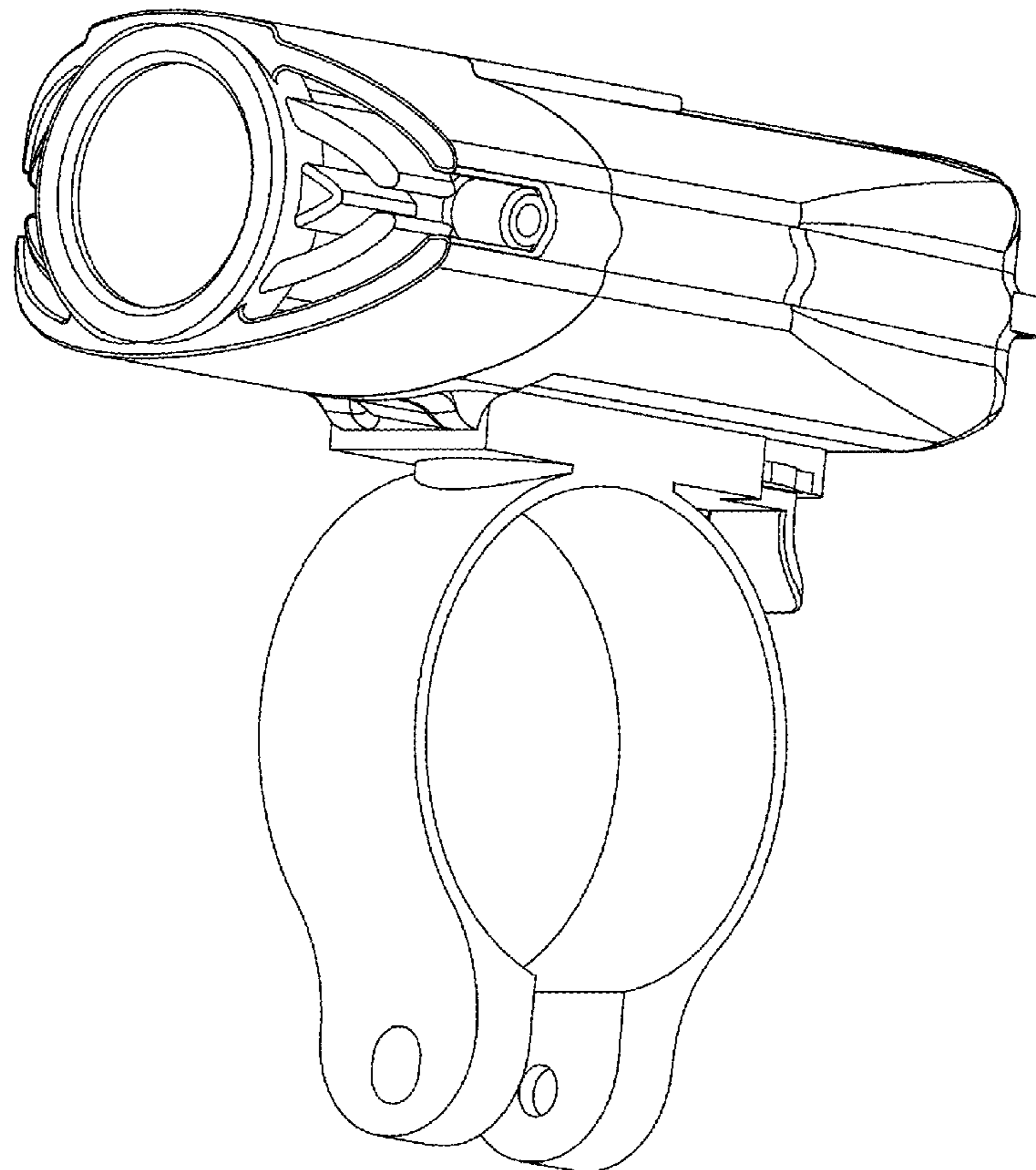
FIG. 5 is right side view thereof;

FIG. 6 is a top plan view thereof; and,

FIG. 7 is a bottom plan view thereof.

See application file for complete search history.

**1 Claim, 7 Drawing Sheets**



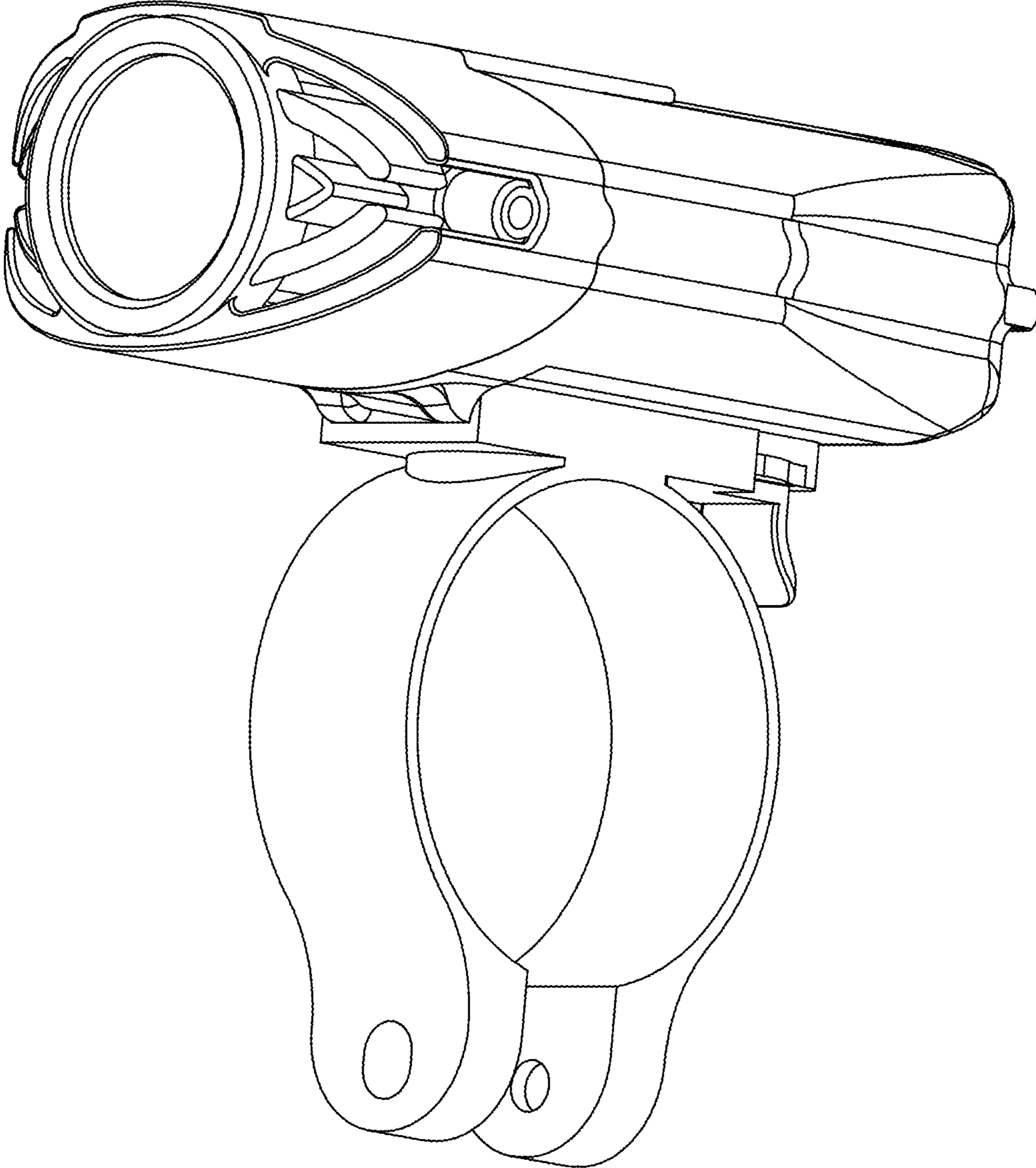


FIG.1

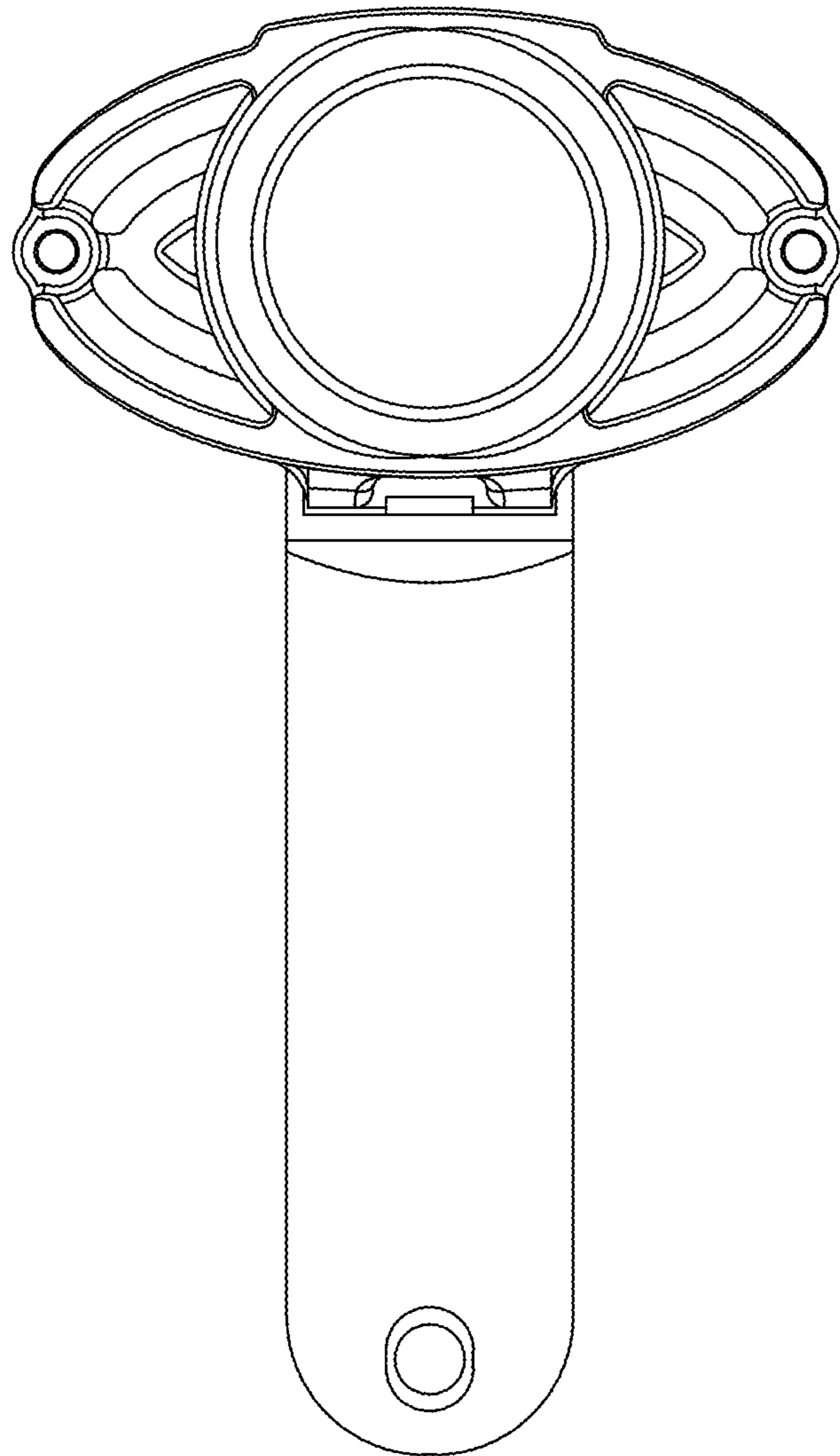


FIG.2

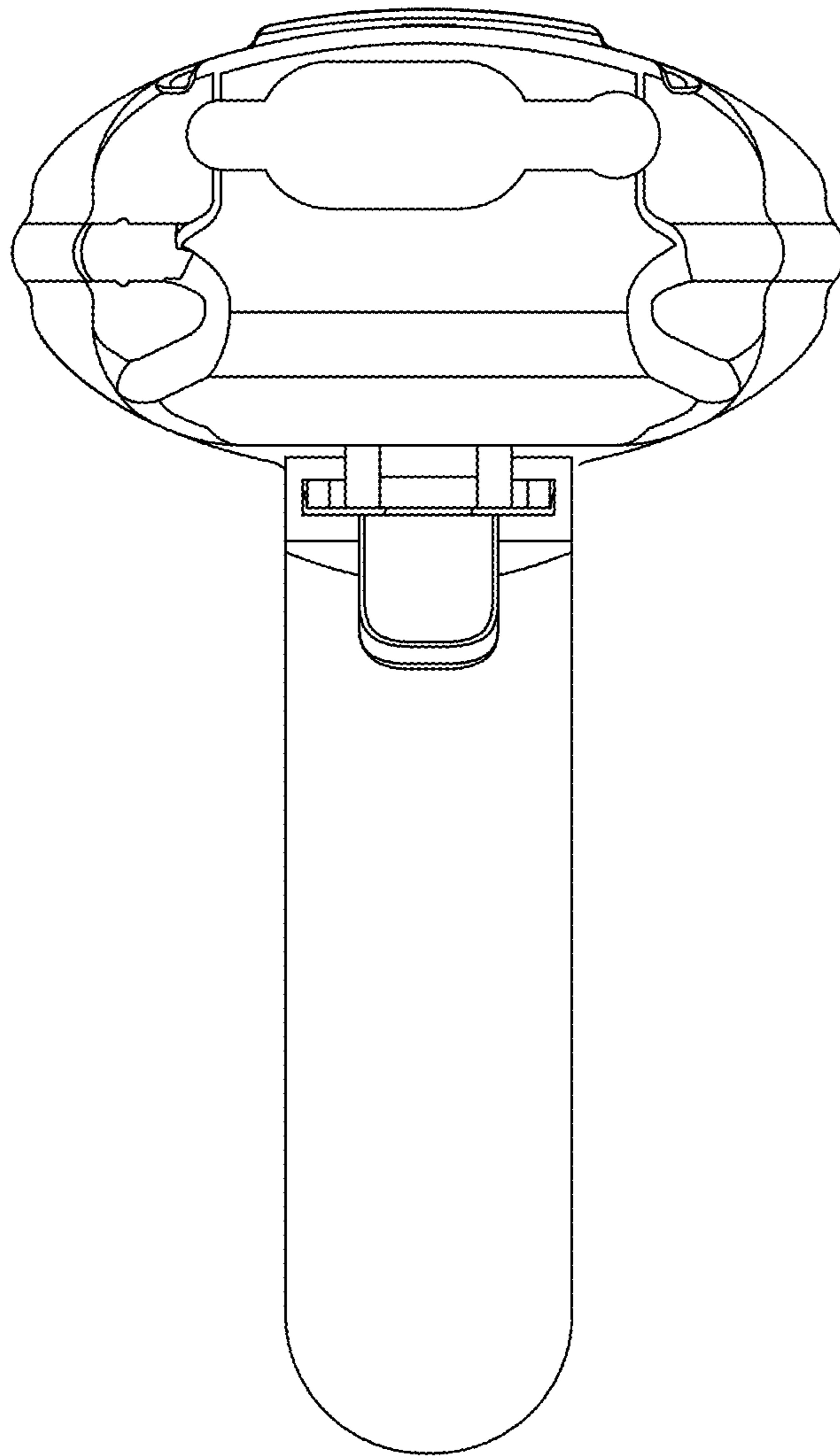


FIG.3

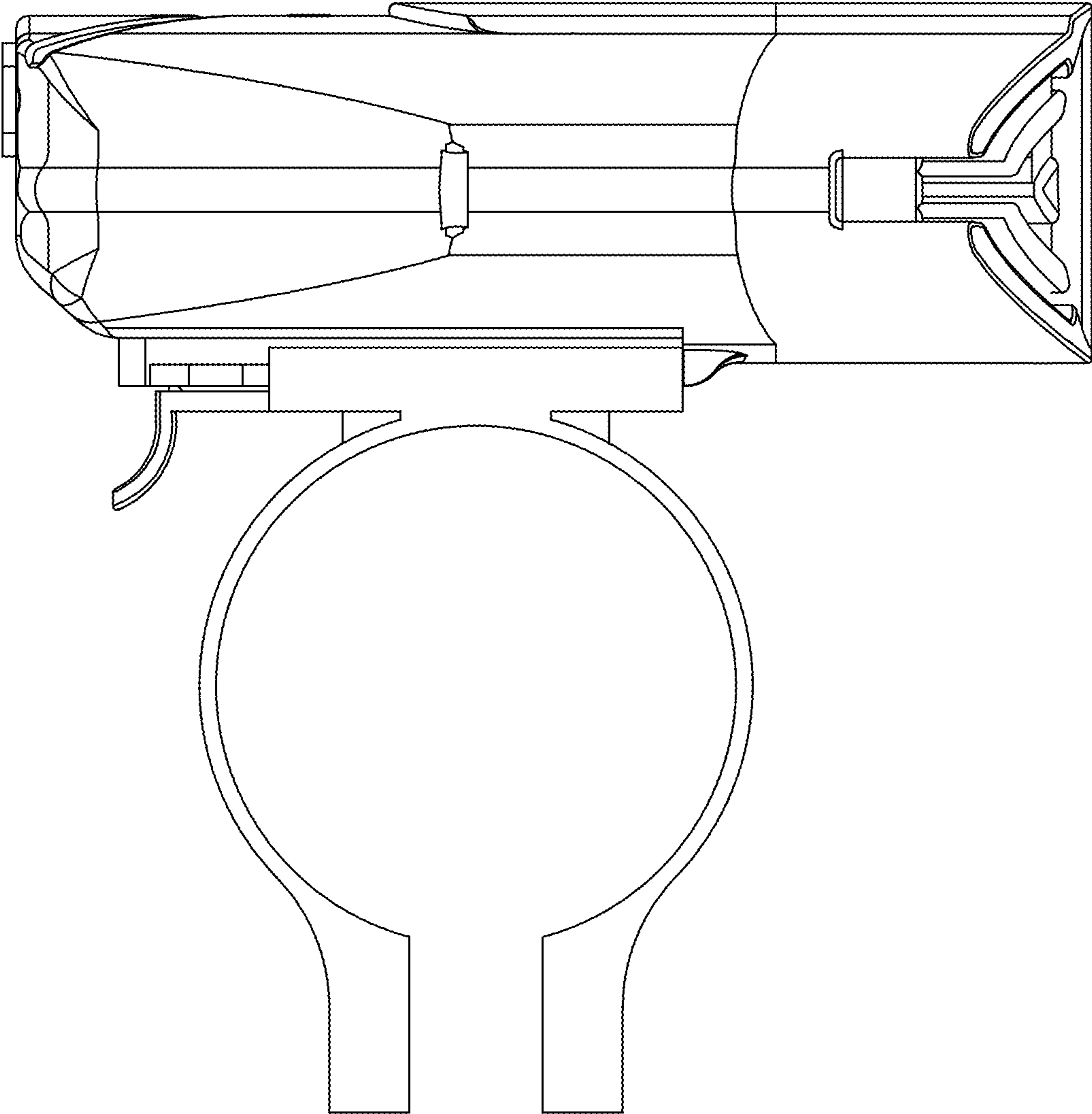


FIG.4

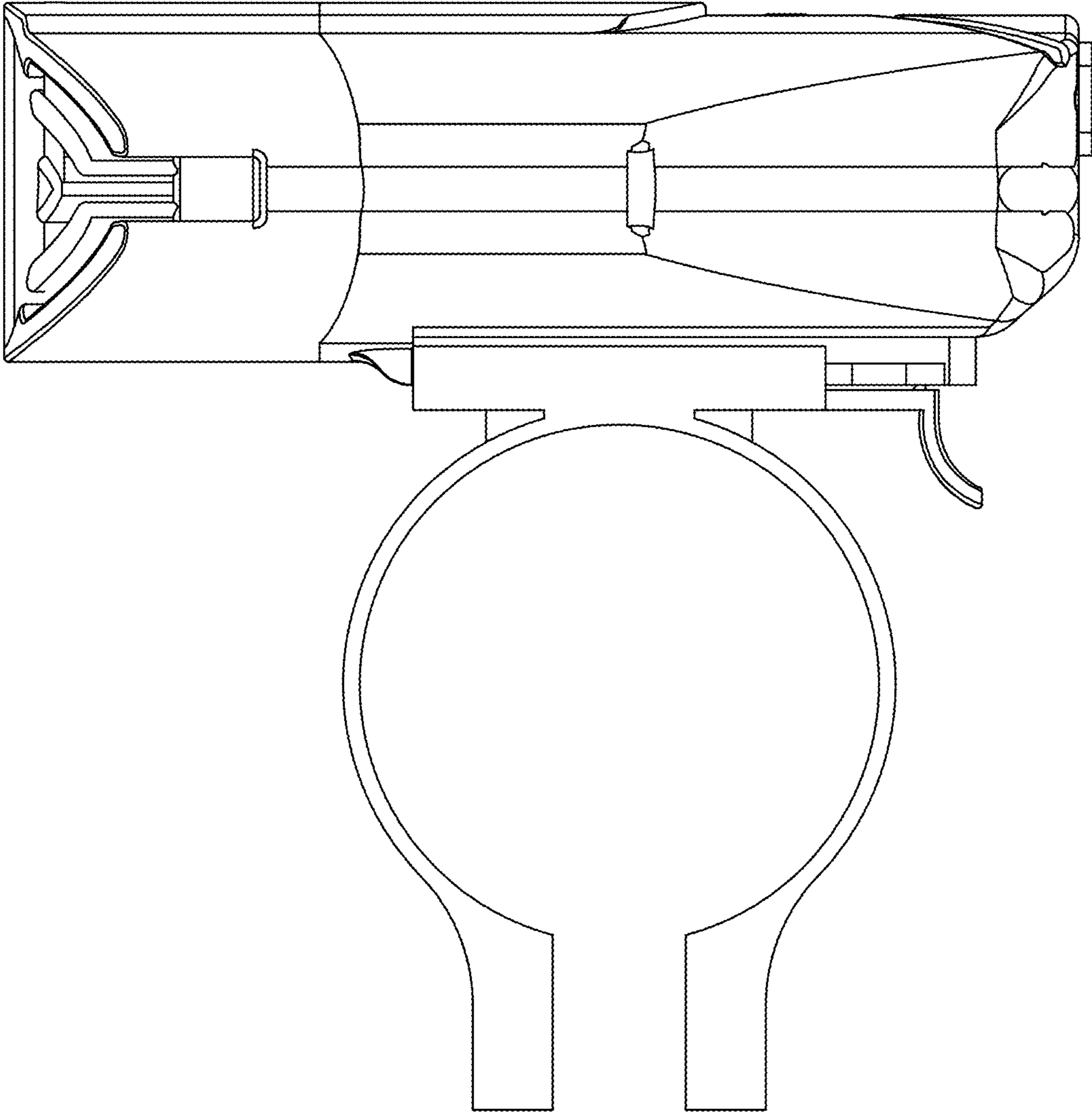


FIG.5

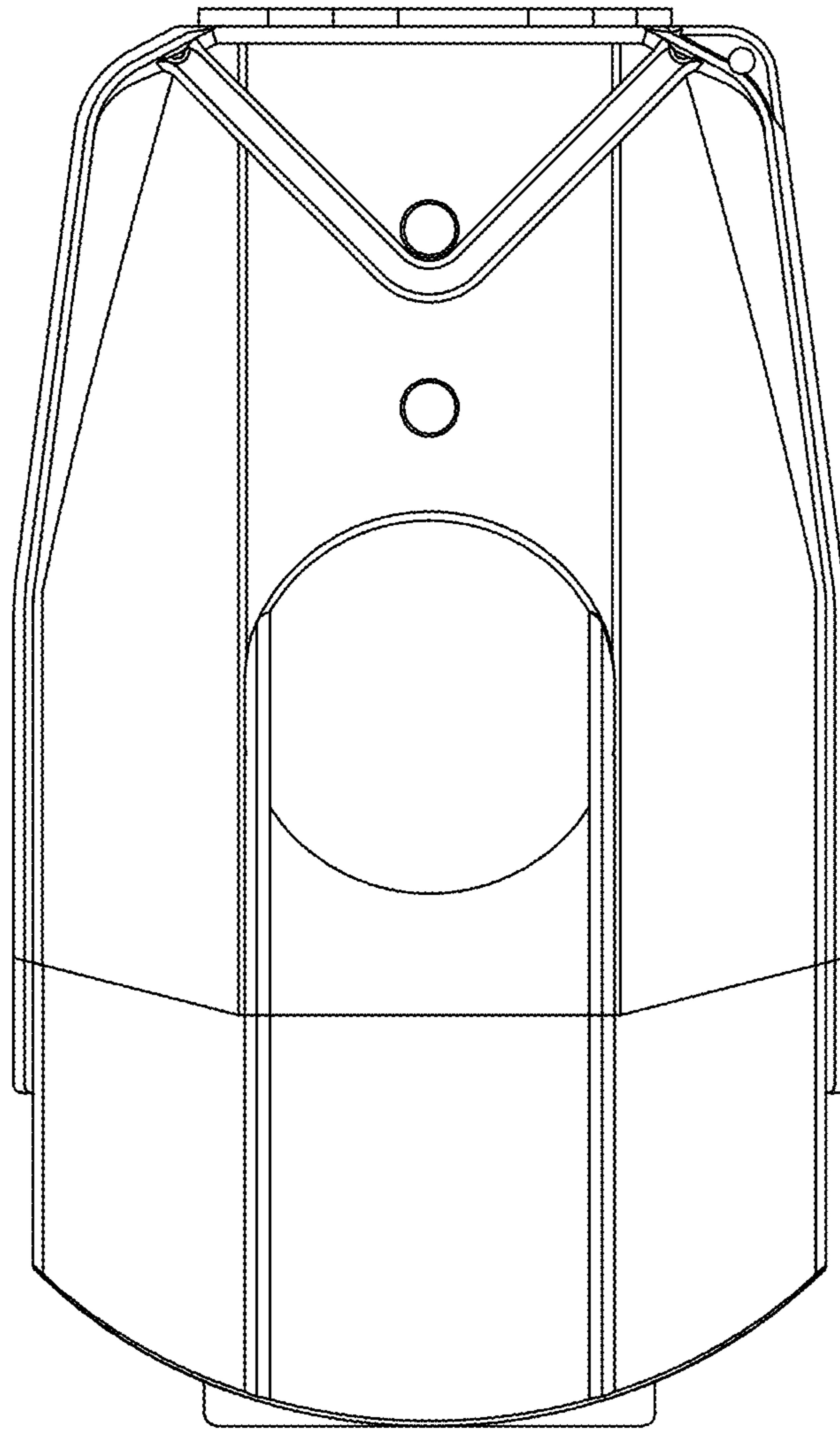


FIG.6

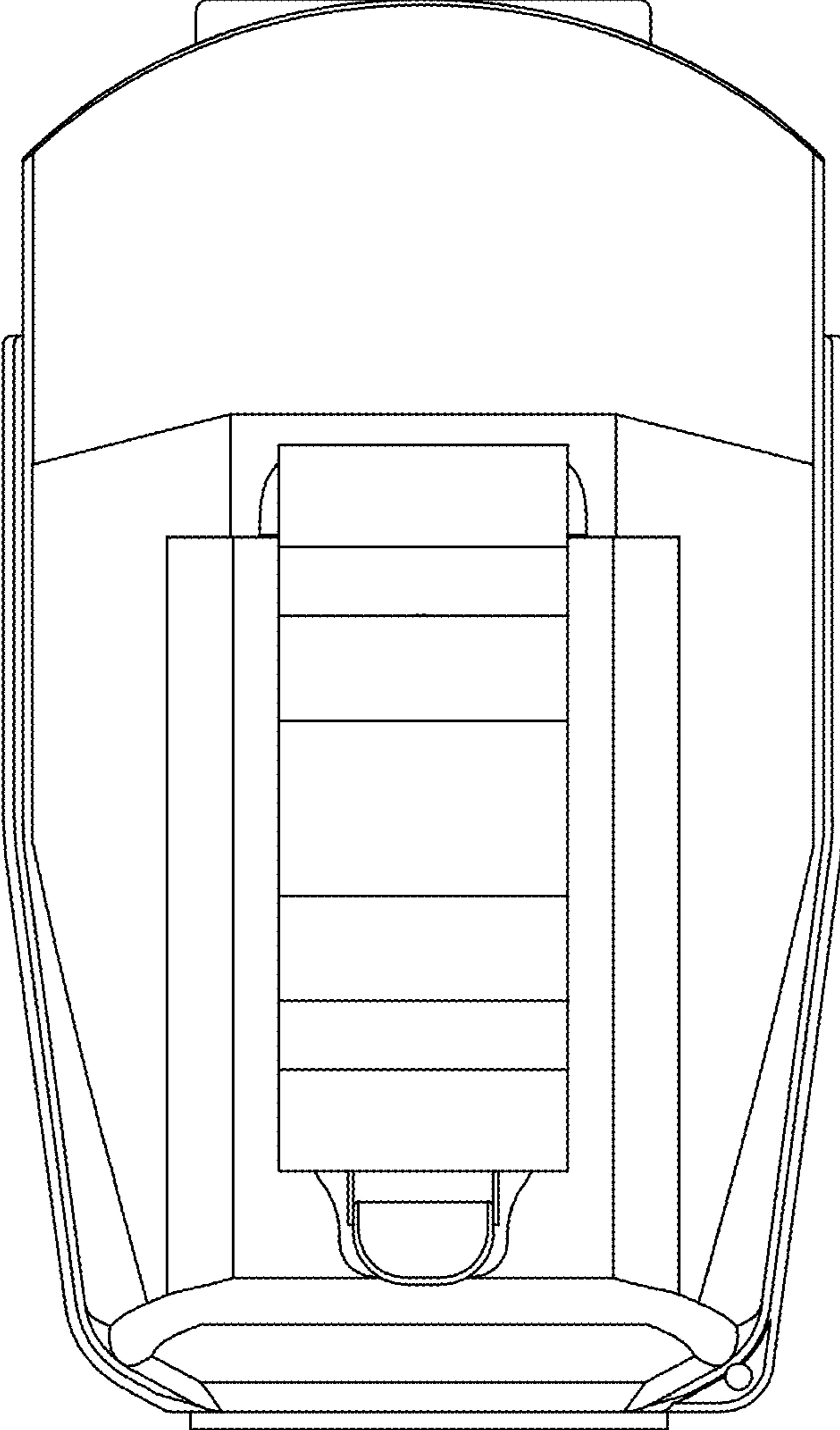


FIG.7