



US00D810338S

(12) **United States Design Patent**
Dai

(10) **Patent No.:** **US D810,338 S**

(45) **Date of Patent:** **** Feb. 13, 2018**

(54) **TOILET LAMP**

(71) Applicant: **Ningbo Weitao Electrical Appliance Co., Ltd., Ningbo, Zhejiang (CN)**

(72) Inventor: **Jiangang Dai, Zhejiang (CN)**

(73) Assignee: **Ningbo Weitao Electrical Appliance Co., Ltd., Ningbo (CN)**

(**) Term: **15 Years**

(21) Appl. No.: **29/583,201**

(22) Filed: **Nov. 3, 2016**

(30) **Foreign Application Priority Data**

Aug. 26, 2016 (CN) 2016 3 0465380

(51) **LOC (11) Cl.** **26-03**

(52) **U.S. Cl.**
USPC **D26/60**

(58) **Field of Classification Search**

USPC D26/37, 39, 38, 46, 60
CPC F21V 33/00; F21V 14/025; F21V 21/406;
F21V 33/004; F21Y 2101/02; F21L
17/00; F21L 13/08; A47K 13/30; E03D
9/00

See application file for complete search history.

(56) **References Cited**

U.S. PATENT DOCUMENTS

4,860,178 A * 8/1989 Picon E03D 9/00
362/101
5,003,648 A * 4/1991 Anderson A47K 13/30
4/314

5,136,476 A * 8/1992 Horn F21V 33/004
362/198
5,150,962 A * 9/1992 Rauschenberger ... F21V 33/004
362/101
D382,360 S * 8/1997 Bixby 26/60
5,664,867 A * 9/1997 Martin F21V 33/004
340/686.1
D493,241 S * 7/2004 Stuart D26/60
D571,031 S * 6/2008 Perkins D26/60
D629,131 S * 12/2010 Seal 26/60
D795,477 S * 8/2017 Fissell 26/60

* cited by examiner

Primary Examiner — Brian N. Vinson

(57) **CLAIM**

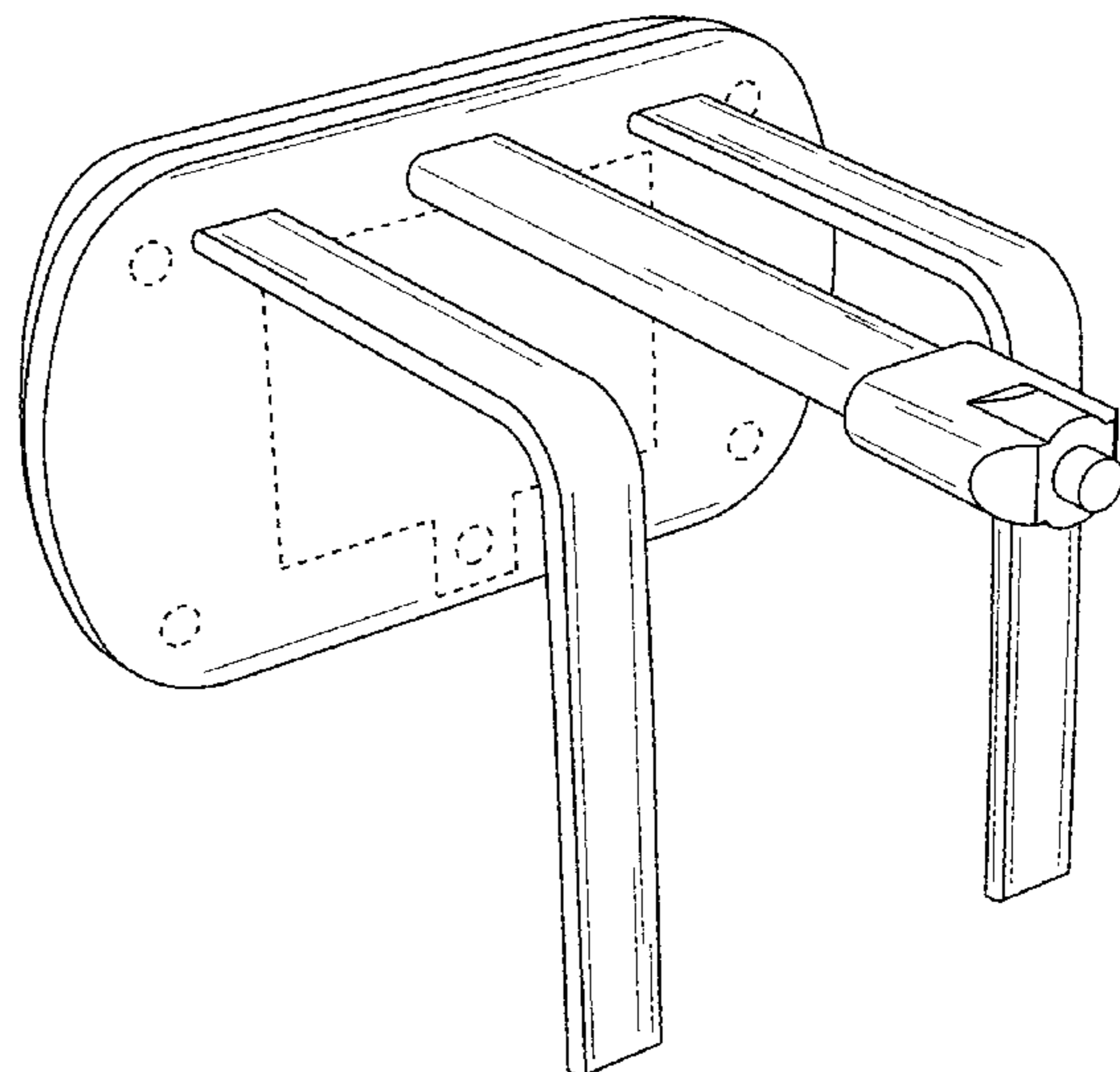
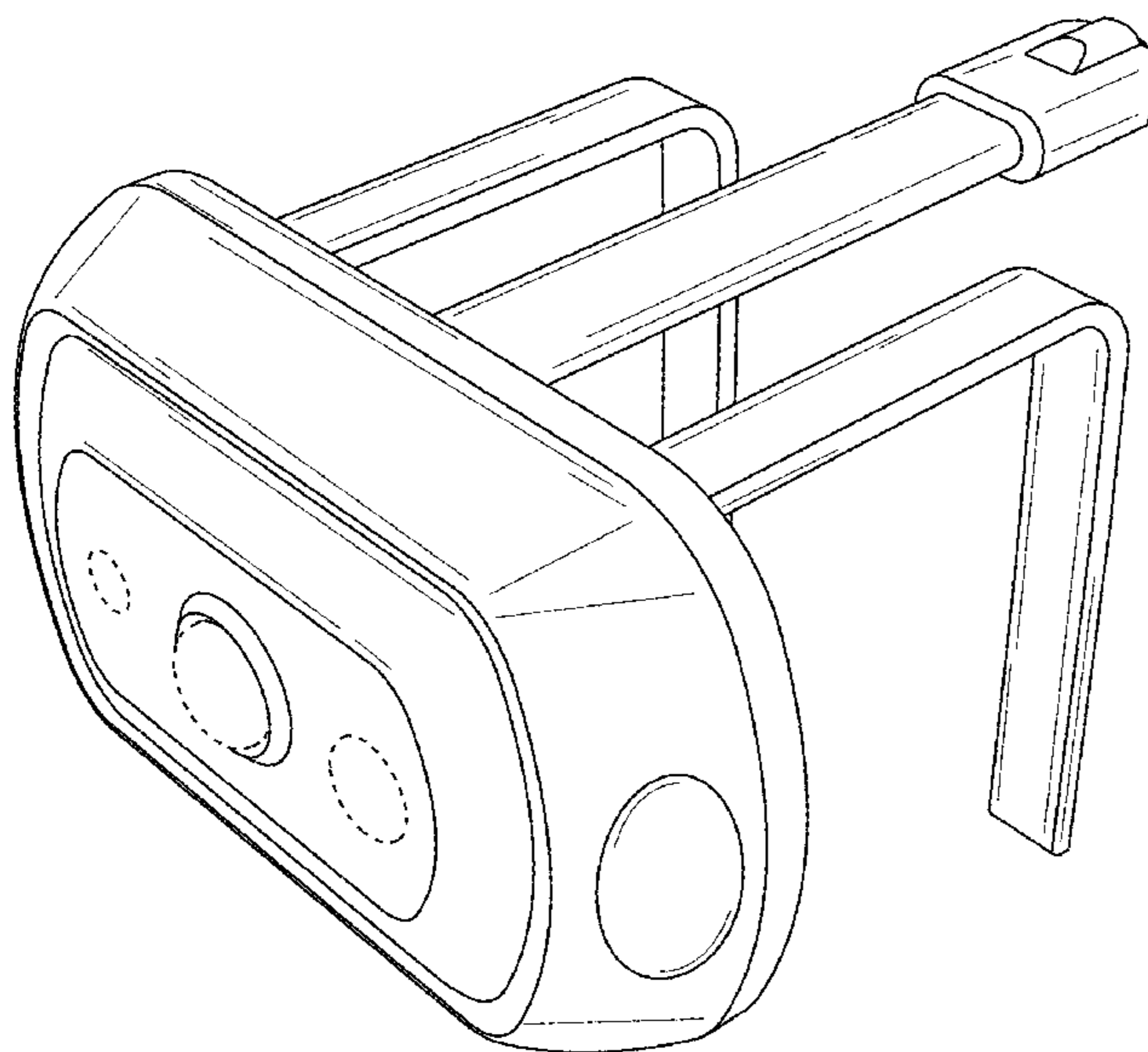
The ornamental design for a toilet lamp, as shown and described.

DESCRIPTION

FIG. 1 is a front elevational view of a toilet lamp showing my new design;
FIG. 2 is a rear elevational view thereof;
FIG. 3 is a left side view thereof;
FIG. 4 is a right side view thereof;
FIG. 5 is a top plan view thereof;
FIG. 6 is a bottom plan view thereof;
FIG. 7 is a first perspective view thereof;
FIG. 8 is a second perspective view thereof; and,
FIG. 9 is a third perspective view thereof.

The broken lines in the drawings illustrate portions of the toilet lamp which form no part of the claimed design.

1 Claim, 9 Drawing Sheets



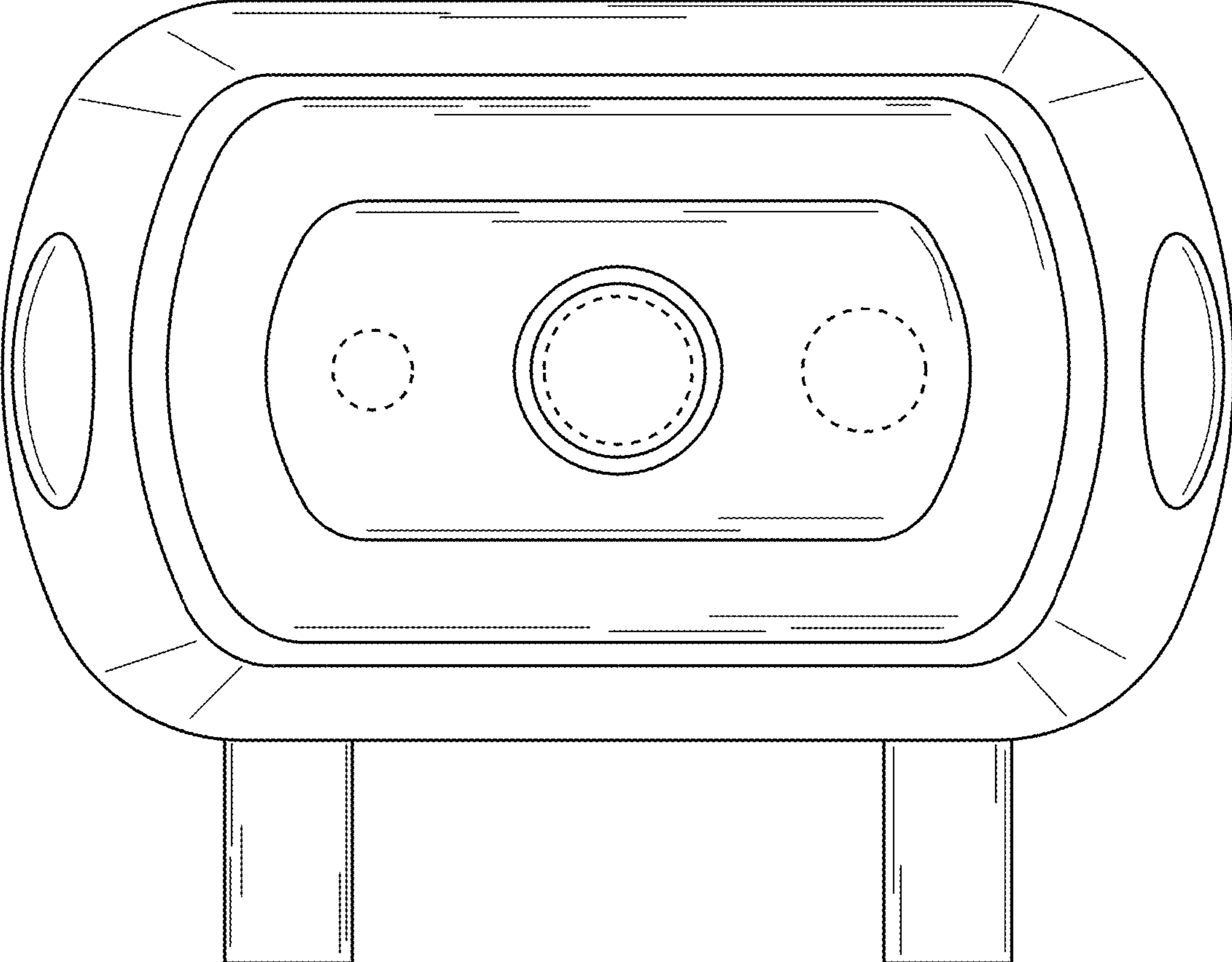


Fig. 1

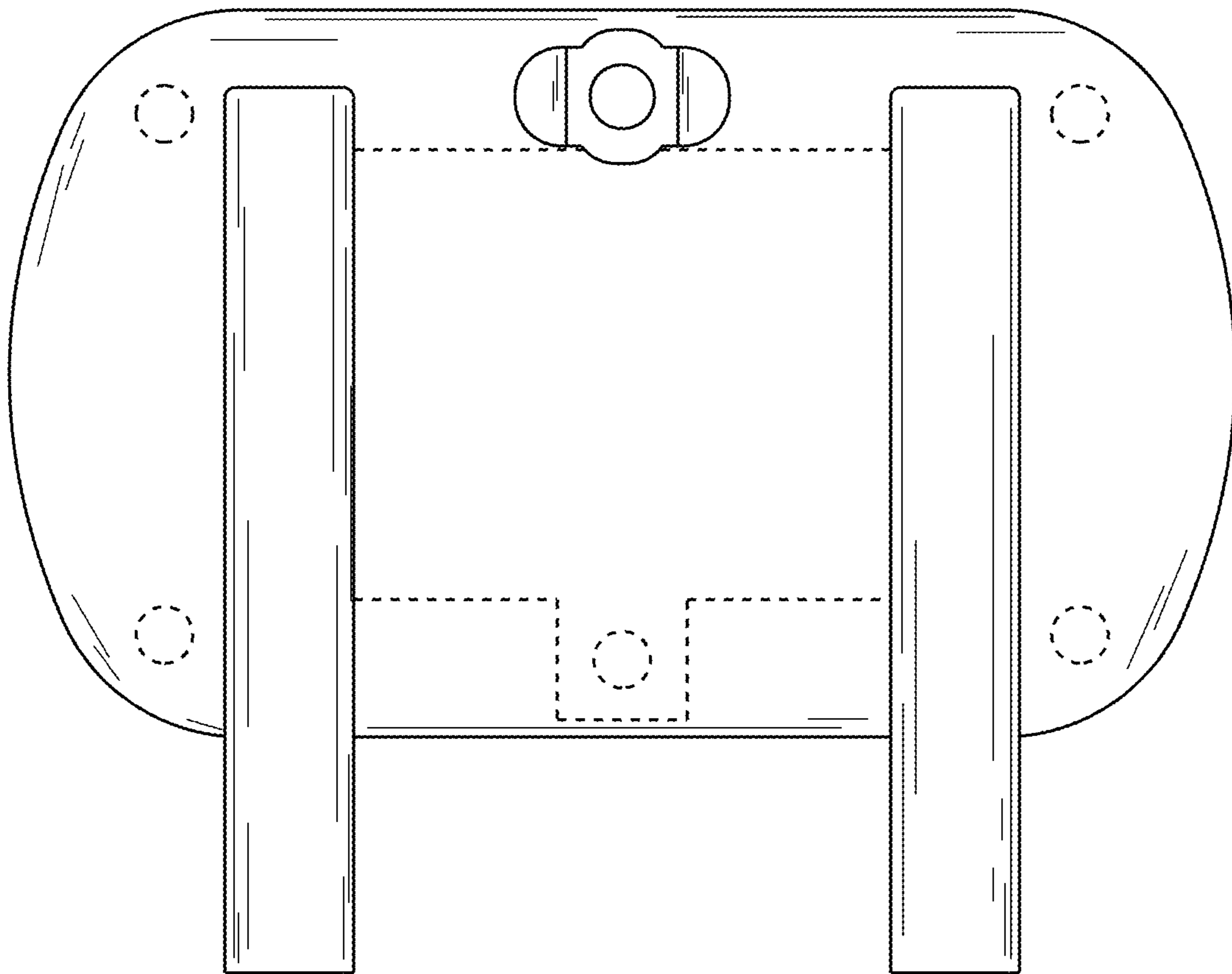


Fig. 2

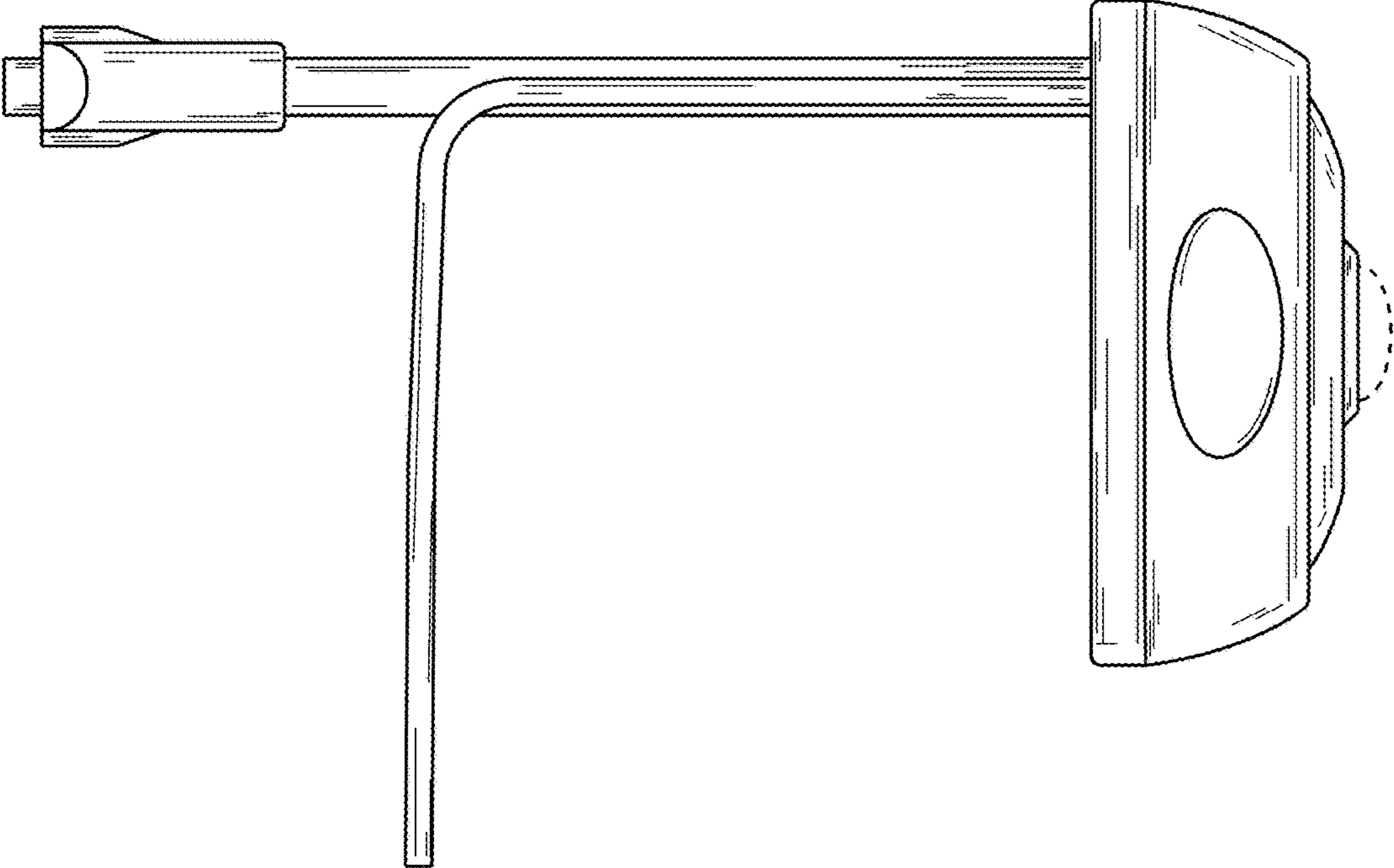


Fig. 3

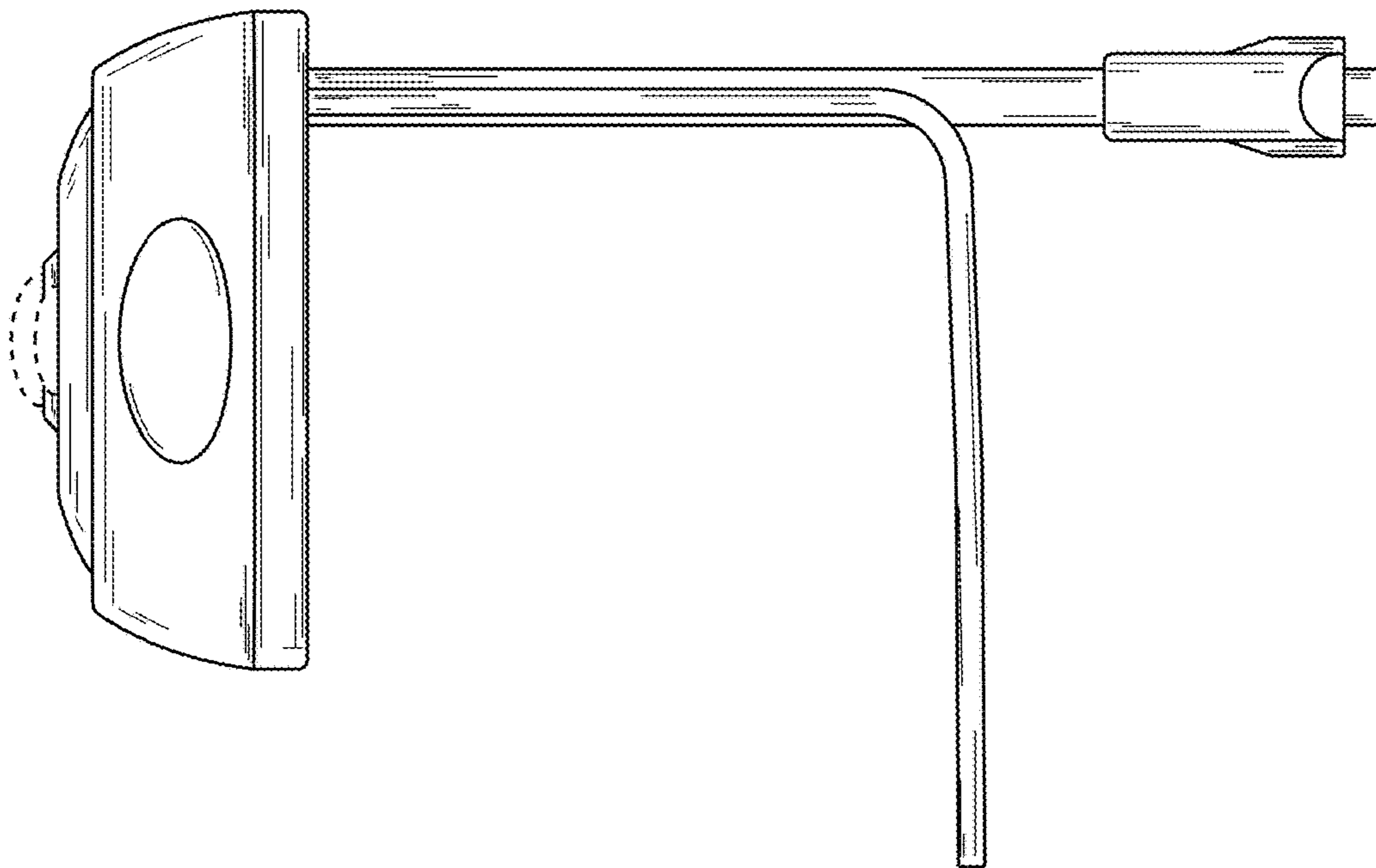


Fig. 4

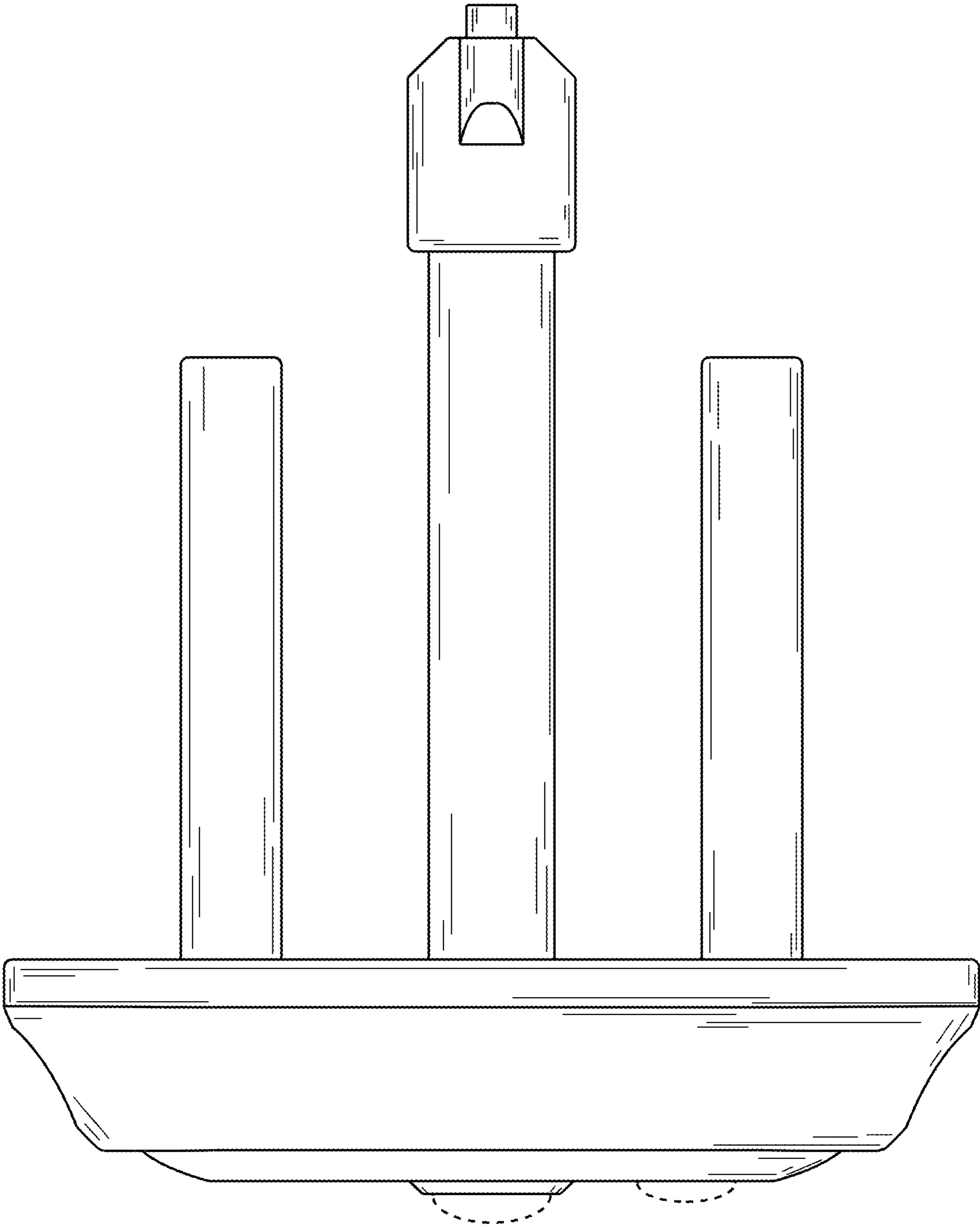


Fig. 5

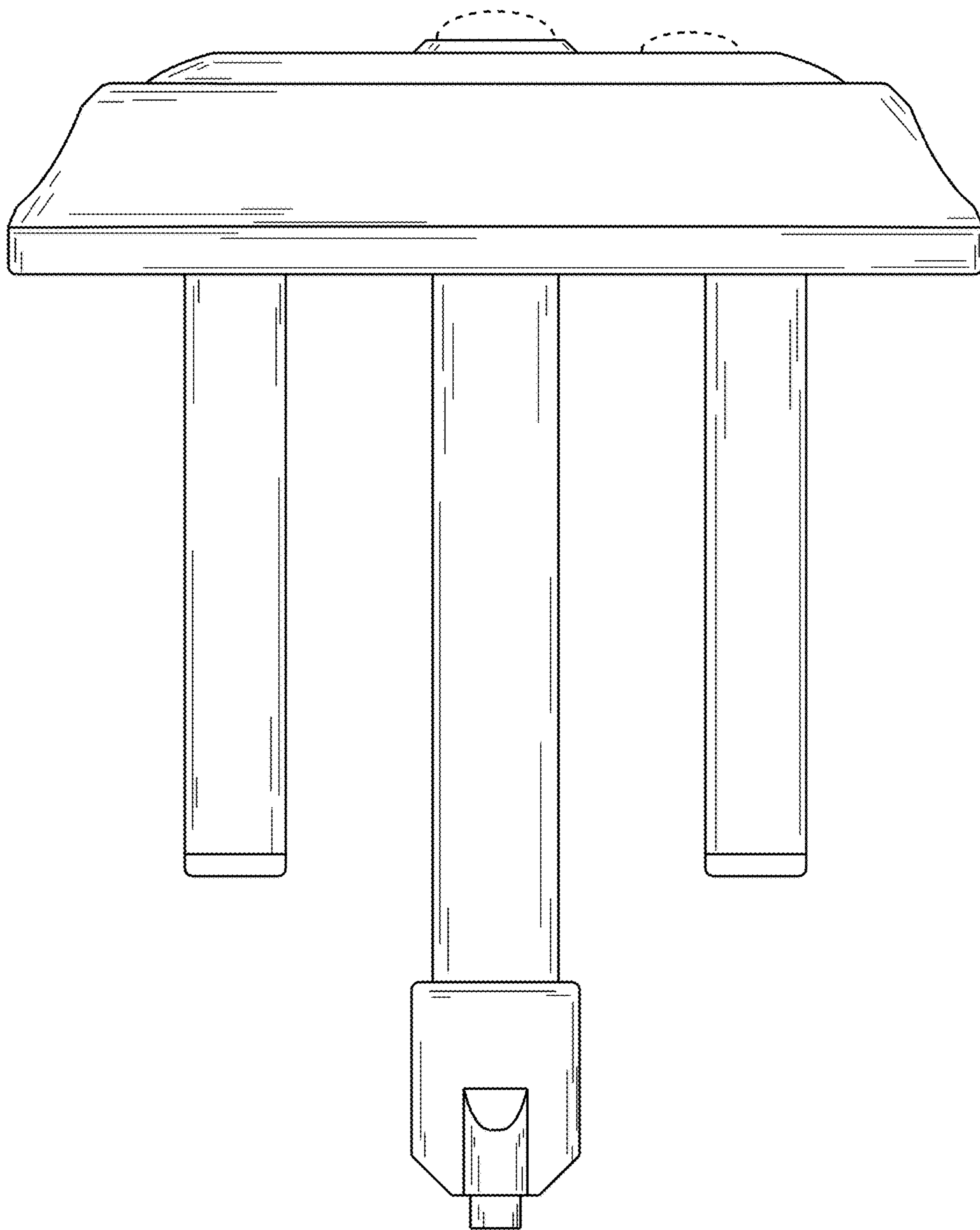


Fig. 6

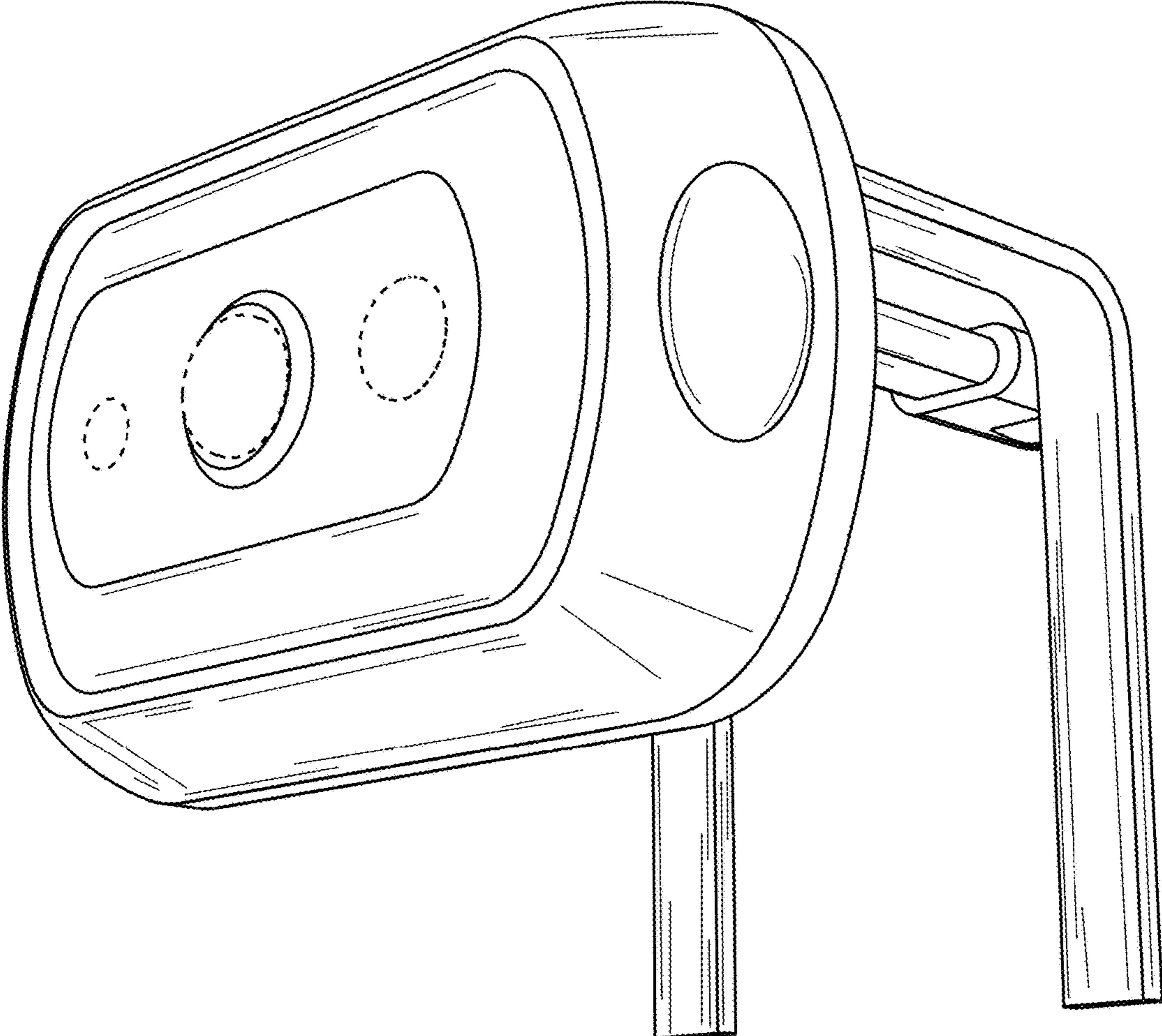


Fig. 7

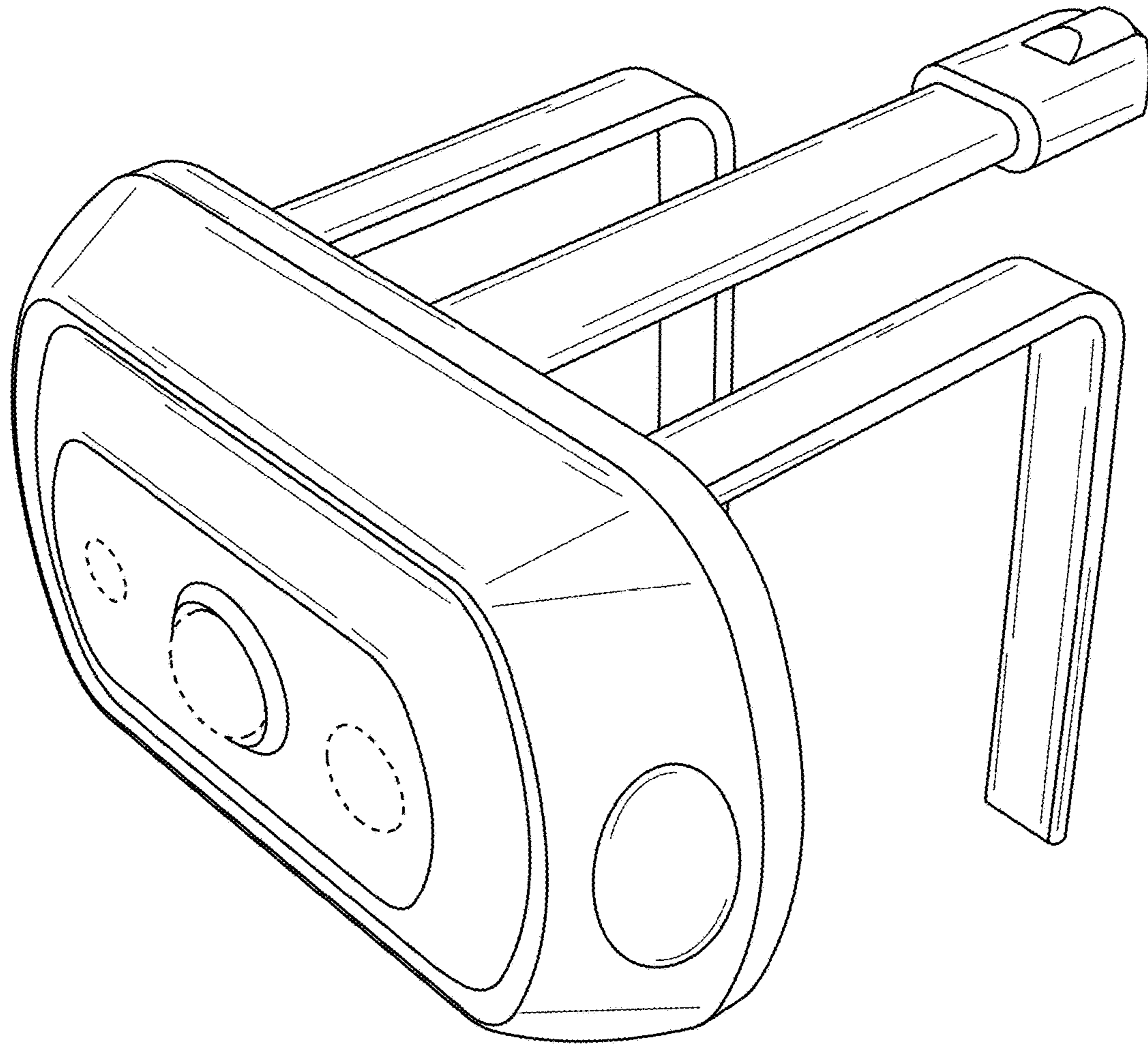


Fig. 8

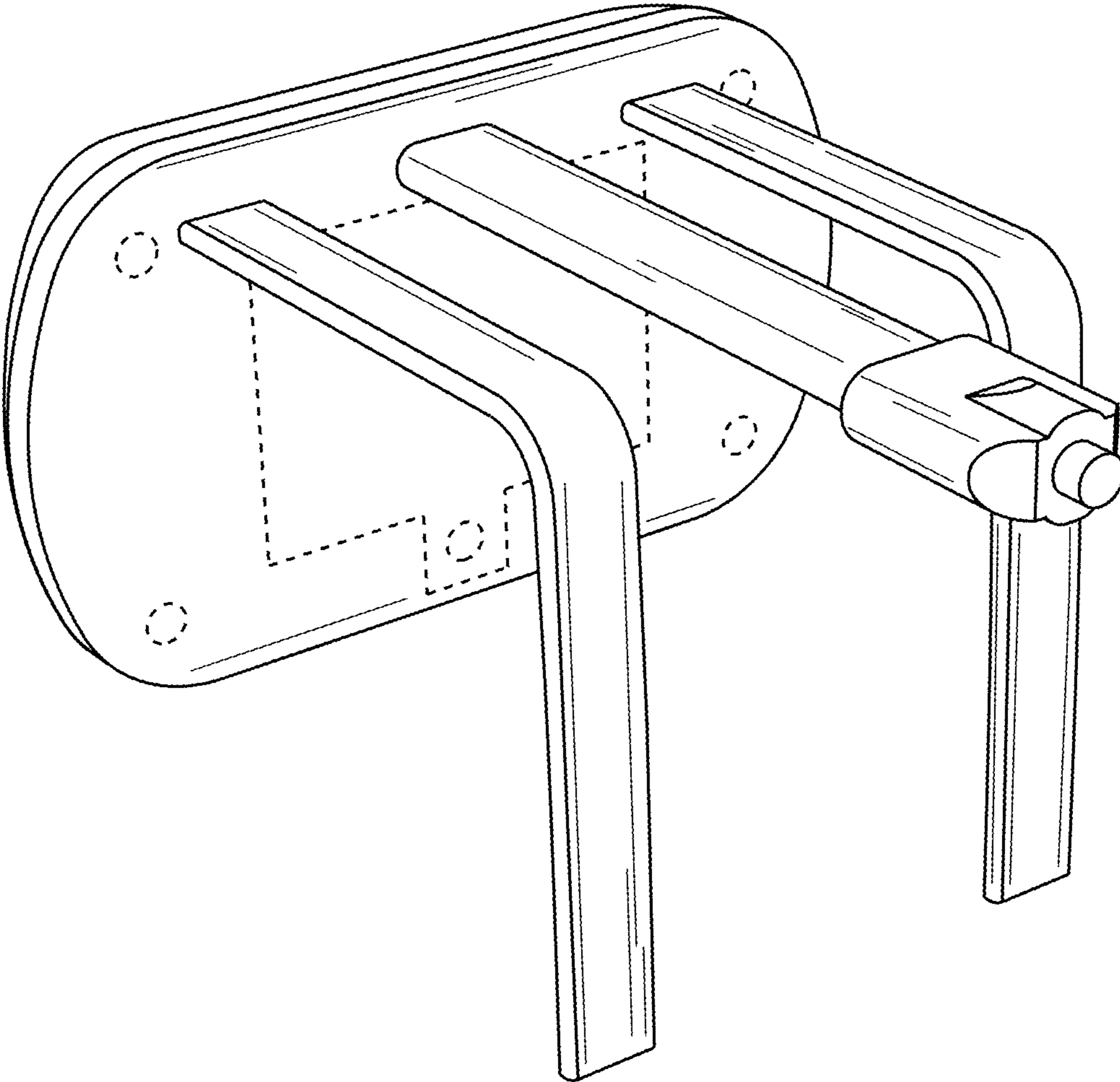


Fig. 9