



US00D810337S

(12) **United States Design Patent** (10) **Patent No.:** **US D810,337 S**
Eichelberger (45) **Date of Patent:** **** Feb. 13, 2018**

(54) **PORTABLE LIGHT**
(71) Applicant: **STREAMLIGHT, INC.**, Eagleville, PA (US)
(72) Inventor: **Cleatis A. Eichelberger**, East Norriton, PA (US)
(73) Assignee: **Streamlight, Inc.**, Eagleville, PA (US)

D568,515 S 5/2008 Liu
D572,395 S 7/2008 Guelzow et al.
D574,982 S 8/2008 Lau
D578,236 S 10/2008 Dalton
D586,025 S 2/2009 Bonis
D586,489 S 2/2009 Shiu
D603,988 S 11/2009 Sharrah
D603,989 S 11/2009 Gardner et al.
(Continued)

(**) Term: **15 Years**

(21) Appl. No.: **29/551,554**

(22) Filed: **Jan. 14, 2016**

(51) **LOC (11) Cl.** **26-02**

(52) **U.S. Cl.**
USPC **D26/49**

(58) **Field of Classification Search**
USPC D26/37, 38, 46, 51, 49
CPC F21L 2003/00; F21L 4/00; F21L 4/005;
F21L 4/02; F21L 4/025; F21L 4/027;
F21L 4/04; F21L 4/08; F21L 2005/00;
F21L 7/00; F21L 11/00; F21L 13/00;
F21L 13/04; F21L 13/08; F21L 14/02;
F21L 17/00; F21L 19/00
See application file for complete search history.

(56) **References Cited**

U.S. PATENT DOCUMENTS

D481,816 S 11/2003 Sharrah et al.
D521,170 S 5/2006 Craft et al.
D521,666 S 5/2006 Chean
D521,667 S 5/2006 Chean
D527,476 S 8/2006 Craft
D548,863 S 8/2007 Shiu
D549,369 S 8/2007 DeBrunner
D557,838 S 12/2007 Shiu
D557,840 S 12/2007 Shiu
D564,116 S 3/2008 Linardos
D565,770 S 4/2008 Shiu
D566,309 S 4/2008 Kornfeld et al.

OTHER PUBLICATIONS

Streamlight, Inc., "ProTac—ProTac HL USB", © 2016, 2 pages,
<http://www.streamlight.com/en-us/product/product.html?pid=321>.
(Continued)

Primary Examiner — Lakiya Rogers
Assistant Examiner — Carissa C Fitts
(74) *Attorney, Agent, or Firm* — Clement A. Berard, Esq.;
Dann, Dorfman, Herrell & Skillman, PC

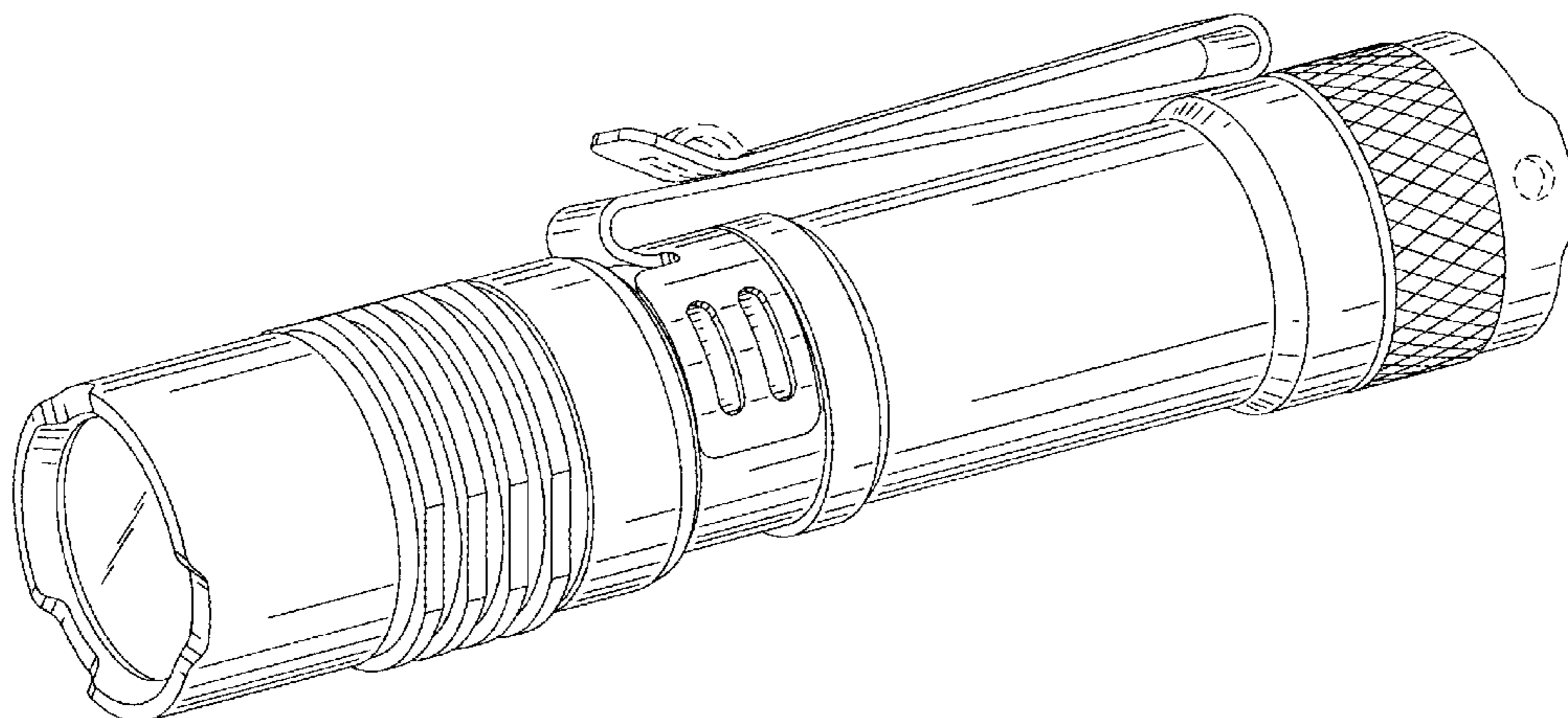
(57) **CLAIM**

The ornamental design for a portable light, as shown and described.

DESCRIPTION

FIG. 1 is a perspective view of an ornamental design for a portable light.
FIG. 2 is a second perspective view thereof from an opposite end;
FIG. 3 side view of a first side thereof;
FIG. 4 is a side view of a second side thereof;
FIG. 5 is a side view of a third side thereof;
FIG. 6 is a side view of a fourth side thereof;
FIG. 7 is an end view of a first end thereof; and,
FIG. 8 is an end view of a second end thereof.
Broken lines in the illustrations of the DRAWING indicate unclaimed parts of the article that form no part of the design illustrated and claimed herein, and are not part of the claimed design.

1 Claim, 5 Drawing Sheets



(56)

References Cited

U.S. PATENT DOCUMENTS

| | | | |
|-----------------|---------|------------------|---------|
| D622,428 S | 8/2010 | Crawford et al. | |
| D629,542 S | 12/2010 | Robinson | |
| D629,544 S | 12/2010 | Deguglimo et al. | |
| D647,232 S | 10/2011 | Liu | |
| D647,654 S | 10/2011 | Li | |
| D655,027 S | 2/2012 | Milz et al. | |
| D683,877 S * | 6/2013 | Brands | D26/49 |
| D688,402 S | 8/2013 | Roshak | |
| D698,961 S * | 2/2014 | Dalton | D26/49 |
| 8,662,701 B2 | 3/2014 | Sharrah et al. | |
| D710,526 S * | 8/2014 | Lee | D26/49 |
| D716,984 S * | 11/2014 | Inskeep | D26/49 |
| D744,137 S * | 11/2015 | Ma | D26/49 |
| D745,987 S * | 12/2015 | Nawaz | D22/117 |
| D747,024 S * | 1/2016 | Windom | D26/49 |
| D749,766 S * | 2/2016 | Nguyen | D26/49 |
| D769,496 S * | 10/2016 | Inskeep | D26/49 |
| D774,229 S * | 12/2016 | Prieto | D26/49 |
| 2009/0323344 A1 | 12/2009 | Crawford | |

OTHER PUBLICATIONS

Streamlight, Inc., "ProTac—ProTac 1AA", © 2016, 1 page, <http://www.streamlight.com/en-us/product/product.html?pid=199>.

Streamlight, Inc., "ProTac—ProTac 1L", © 2016, 1 page, <http://www.streamlight.com/en-us/product/product.html?pid=200>.

Streamlight, PT Series Professional Tactical Lights, 2 pages, Feb. 2010.

Streamlight, NightFighter LED Flashlight, 1 page, Sep. 2009.

Streamlight, Stylus Pro Alkaline Battery-Powered LED Pen Light, 1 page, Apr. 2007.

Streamlight, Stylus Series, Stylus Pro, www.streamlight.com/product/product.aspx?pid=133#, © 2010, 4 pages.

Streamlight, Product Fact Sheet, Streamlight Stylus Pro LED Flashlight, Document #220, 1 page, Nov. 2, 2007, Rev. Nov. 24, 2008.

Streamlight, Polystylus Ultra-Tough Fiberglass Penlight, 2 pages, Rev. A Feb. 2009.

Streamlight, Stylus Series, PolyStylus, www.streamlight.com/product/product.aspx?pid=156#, printed Mar. 15, 2010, 4 pages.

Energizer, Lighting products, 3 sheets, © 2010.

Streamlight, TL-2 L Shock-Proof Flashlight, Aug. 2007, 2 pages.

Streamlight, TL-3 LED Flashlight, Aug. 2007, 2 pages.

Streamlight, Tactical Hand-Held Series, www.streamlight.com/product/product.aspx?pid=35, © 2010, 4 pages.

Eveready Industries India Ltd., "Flashlights—digiLED Torches", 2 pages, © 2009, <http://www.evereadyindustries.com/business/flashlights/led-torches.asp>.

Eveready Industries India Ltd., "Flashlights—Aluminium & Plastic Torches", 2 pages, © 2009, <http://www.evereadyindustries.com/business/flashlights/aluminium-plastic.asp>.

4Sevens, "Products meeting the search criteria ['quark']" and pages for "Neutral White Quark 123²", "Neutral White Quark AA²", and "Quark Regular Titanium Collector's Set", http://www.4sevens.com/advanced_search_result.php?keywords=quark, © 2010, 23 pages.

4Sevens, "Fenix Lights" and pages for "Fenix E20", "Fenix Digital LD10+", "Fenix Digital LD20+", "Fenix PD20+", and "Fenix PD30+ R4 Edition", © 2010, 19 pages, <http://www.4sevens.com/index.php?cPath=22&osCsid=cfd449e97b329191f16ca2b890c9cf95>.

Fenix Light, Fenix's Homepages: "New Products", and pages for "E21 Neutral White", "LD20 R4", "LD10 R4", "PD30 R4", "PD30", "LD20", "TK12", and "L Series", © 2007, 46 pages, <http://www.fenixlight.com/newping.asp>.

Streamlight, Inc., "ProTac HL—High Lumen Tactical Light", printed Jun. 18, 2012, 5 pages, www.streamlight.com/product/product.aspx?pid=254.

* cited by examiner

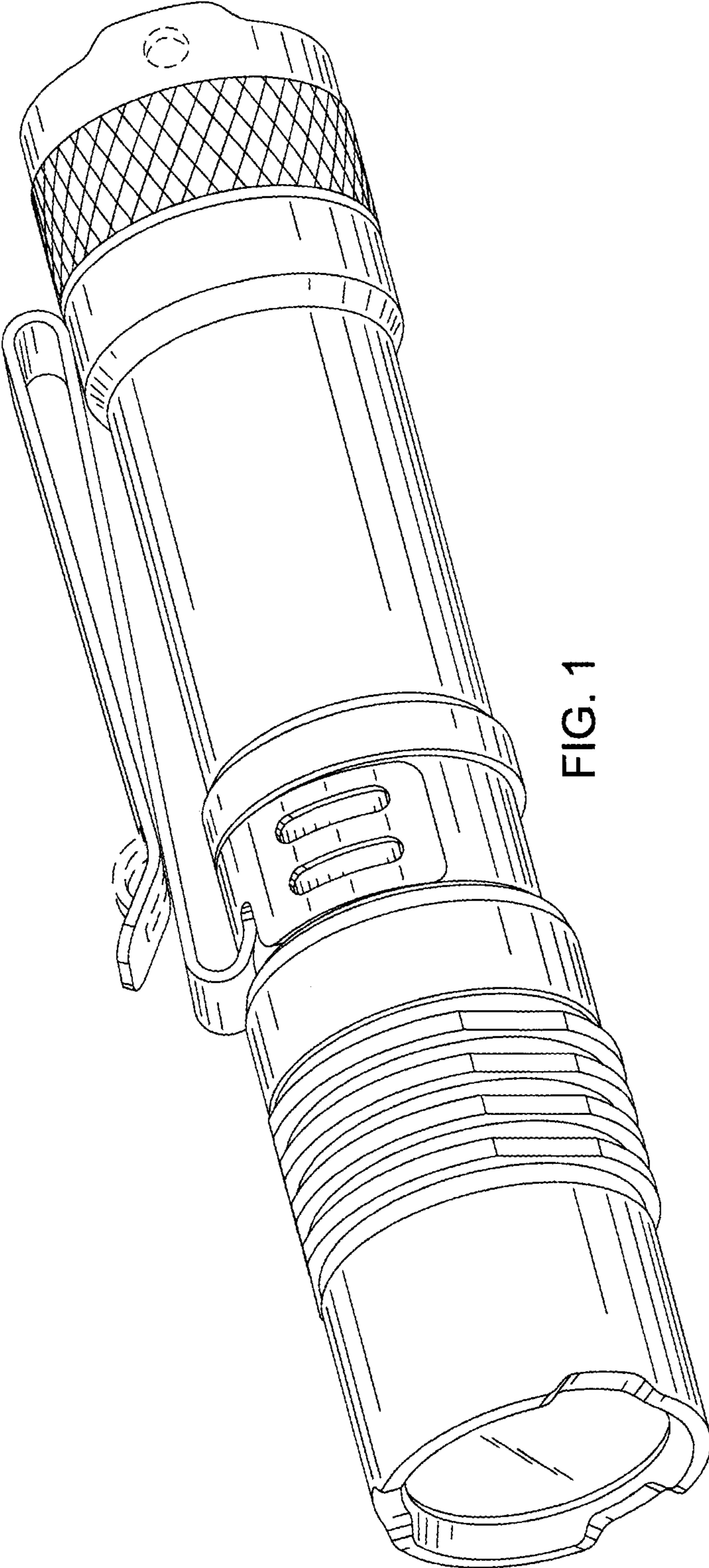


FIG. 1

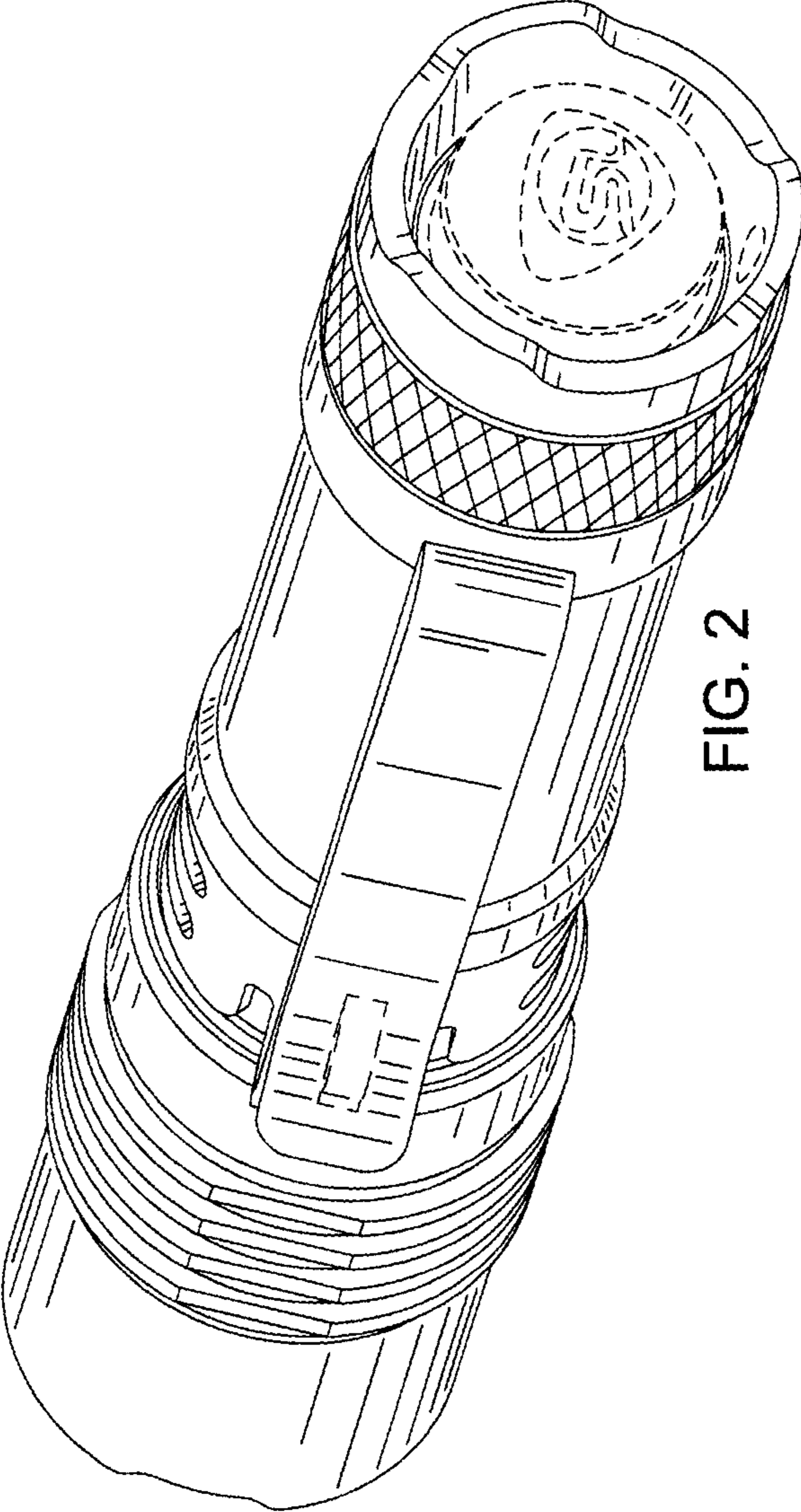


FIG. 2

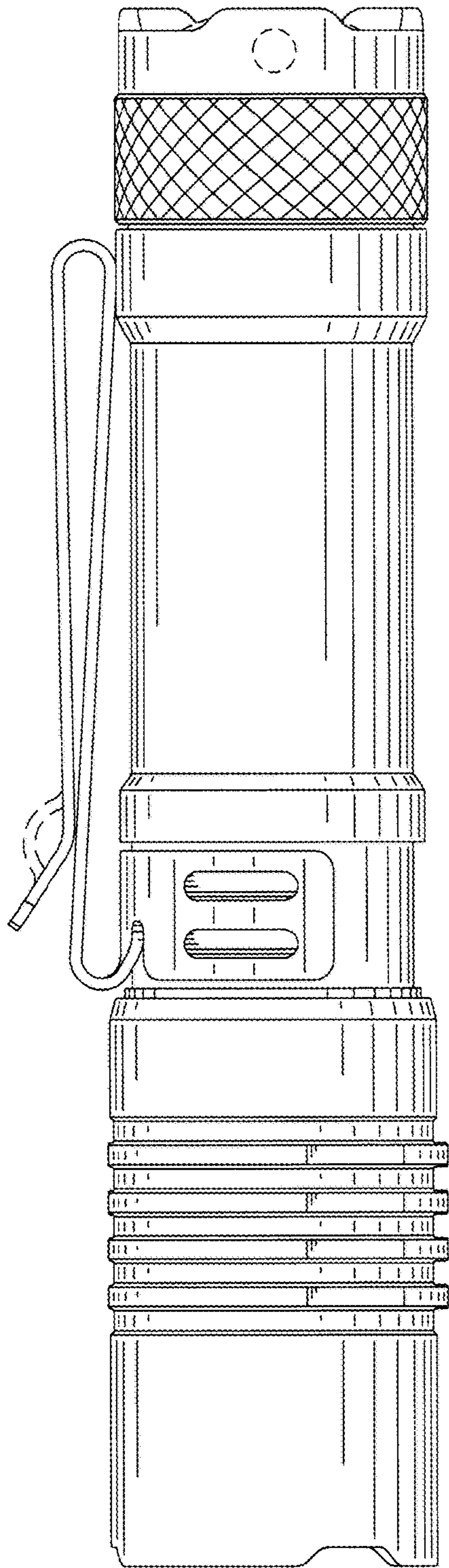


FIG. 3

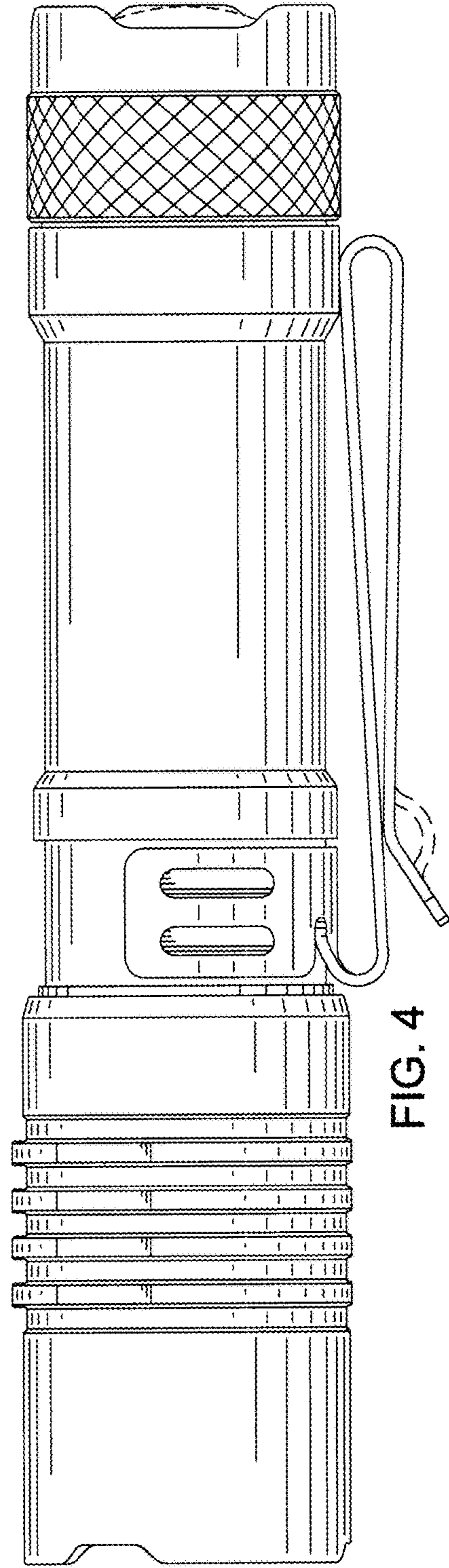


FIG. 4

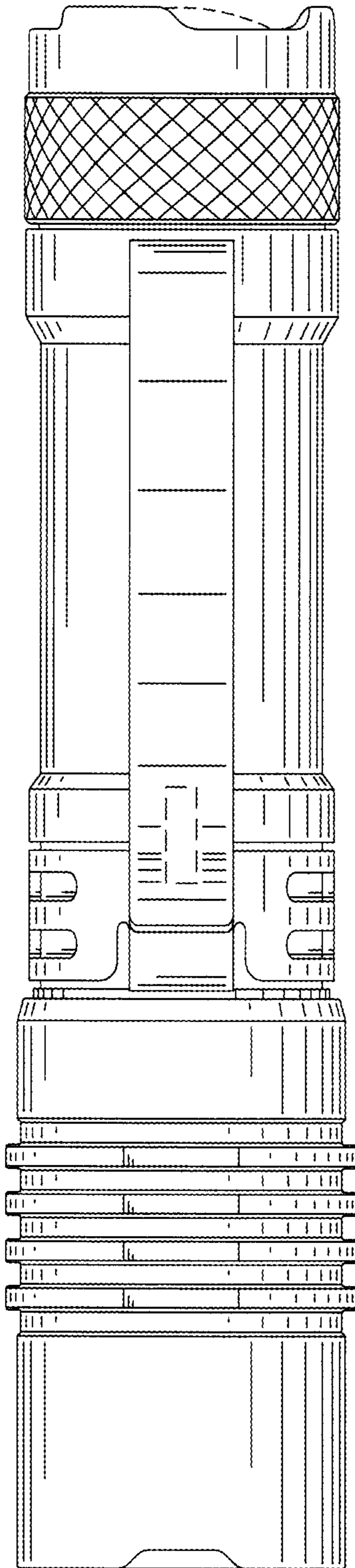


FIG. 5

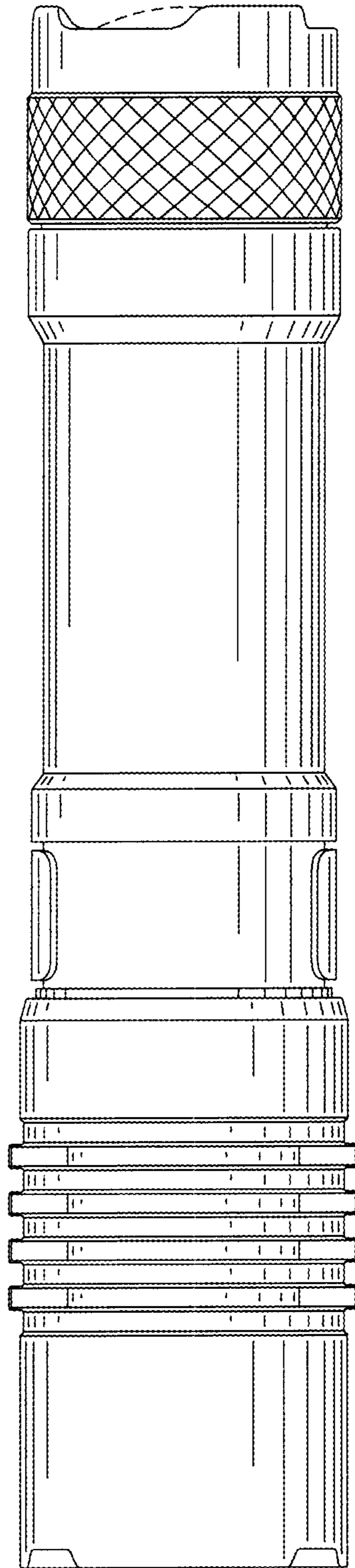


FIG. 6

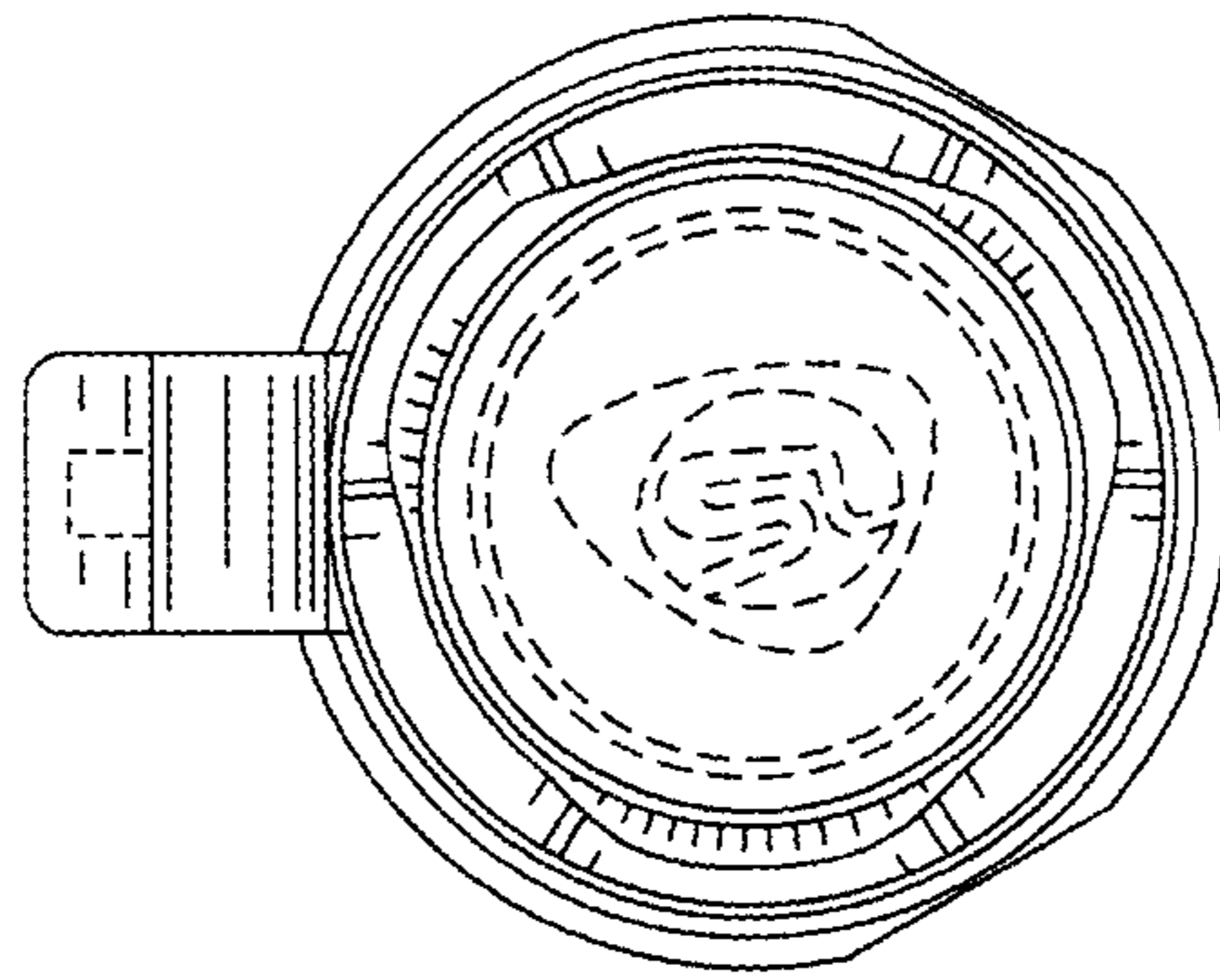


FIG. 8

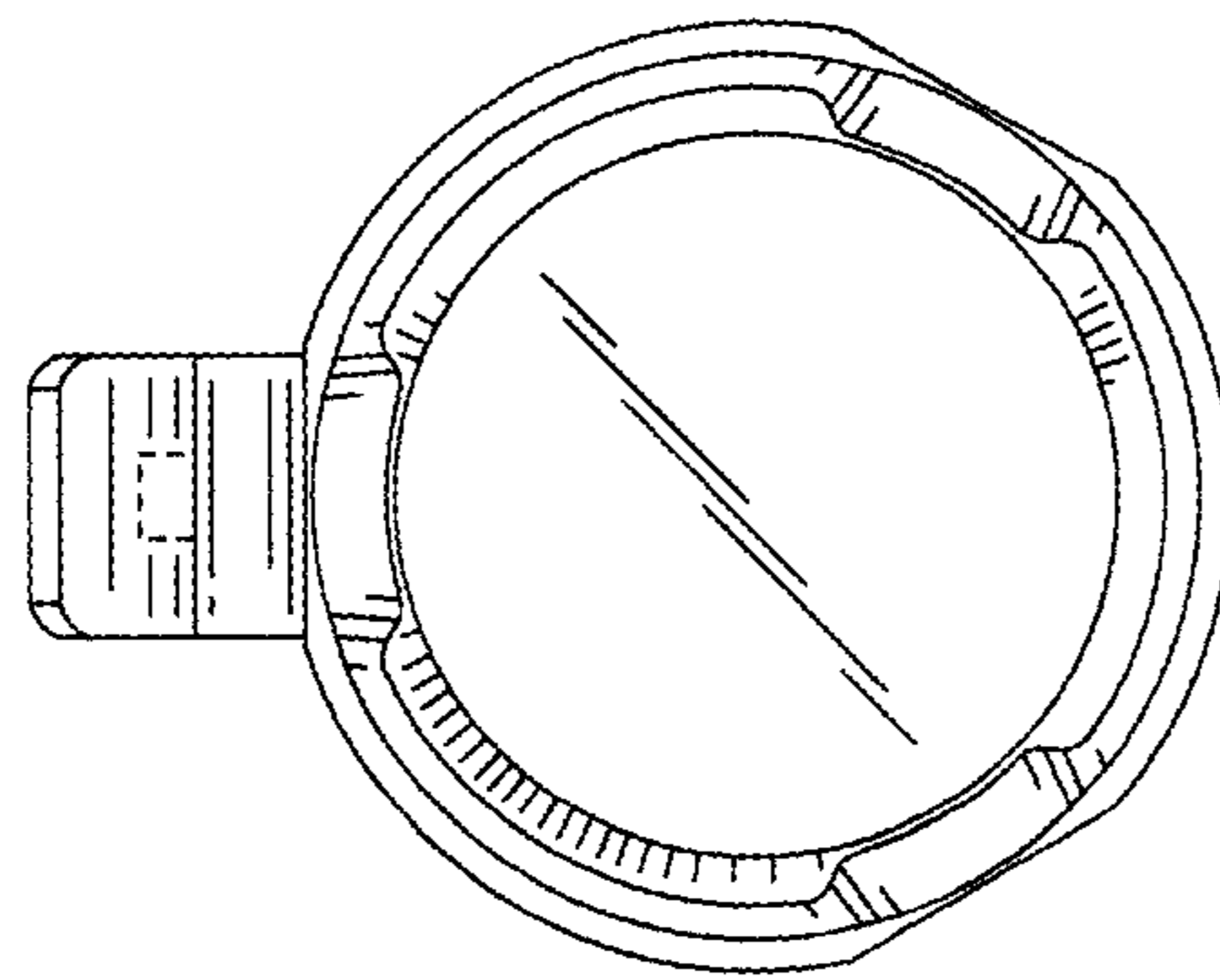


FIG. 7