



US00D810334S

(12) **United States Design Patent** (10) **Patent No.:** **US D810,334 S**
Lai (45) **Date of Patent:** **** Feb. 13, 2018**

(54) **AUTOMOBILE HEADLIGHT**
(71) Applicant: **Ching-Tsung Lai**, Tainan (TW)
(72) Inventor: **Ching-Tsung Lai**, Tainan (TW)
(**) Term: **15 Years**
(21) Appl. No.: **29/594,291**
(22) Filed: **Feb. 17, 2017**
(51) **LOC (11) Cl.** **26-07**
(52) **U.S. Cl.**
USPC **D26/28**
(58) **Field of Classification Search**
USPC D26/28-36; 362/459-468, 475-478,
362/485-487
CPC F21S 48/00; F21S 48/10; F21S 48/115;
F21S 48/225; F21S 48/1233; F21S
48/1266; F21S 48/1388; F21S 48/2268;
F21V 21/04
See application file for complete search history.

(56) **References Cited**
U.S. PATENT DOCUMENTS
D460,833 S * 7/2002 Horowitz D26/28
D507,361 S 7/2005 Wood
D569,533 S * 5/2008 Hsu D26/28

D706,467 S * 6/2014 Robinson D26/28
D735,911 S * 8/2015 O'Donnell D26/28
D743,064 S * 11/2015 Lai D26/28
D744,678 S * 12/2015 Lai D26/28
D747,518 S * 1/2016 Lai D26/28
D759,275 S * 6/2016 Hwang D26/28
D770,068 S * 10/2016 Kapitonov D26/28
D770,648 S * 11/2016 Lai D26/28
D787,718 S * 5/2017 Lai D26/28
D792,619 S * 7/2017 Wu D26/28
D800,931 S * 10/2017 Lai D26/28

* cited by examiner

Primary Examiner — Angela J Lee
(74) *Attorney, Agent, or Firm* — Alexander Chen

(57) **CLAIM**

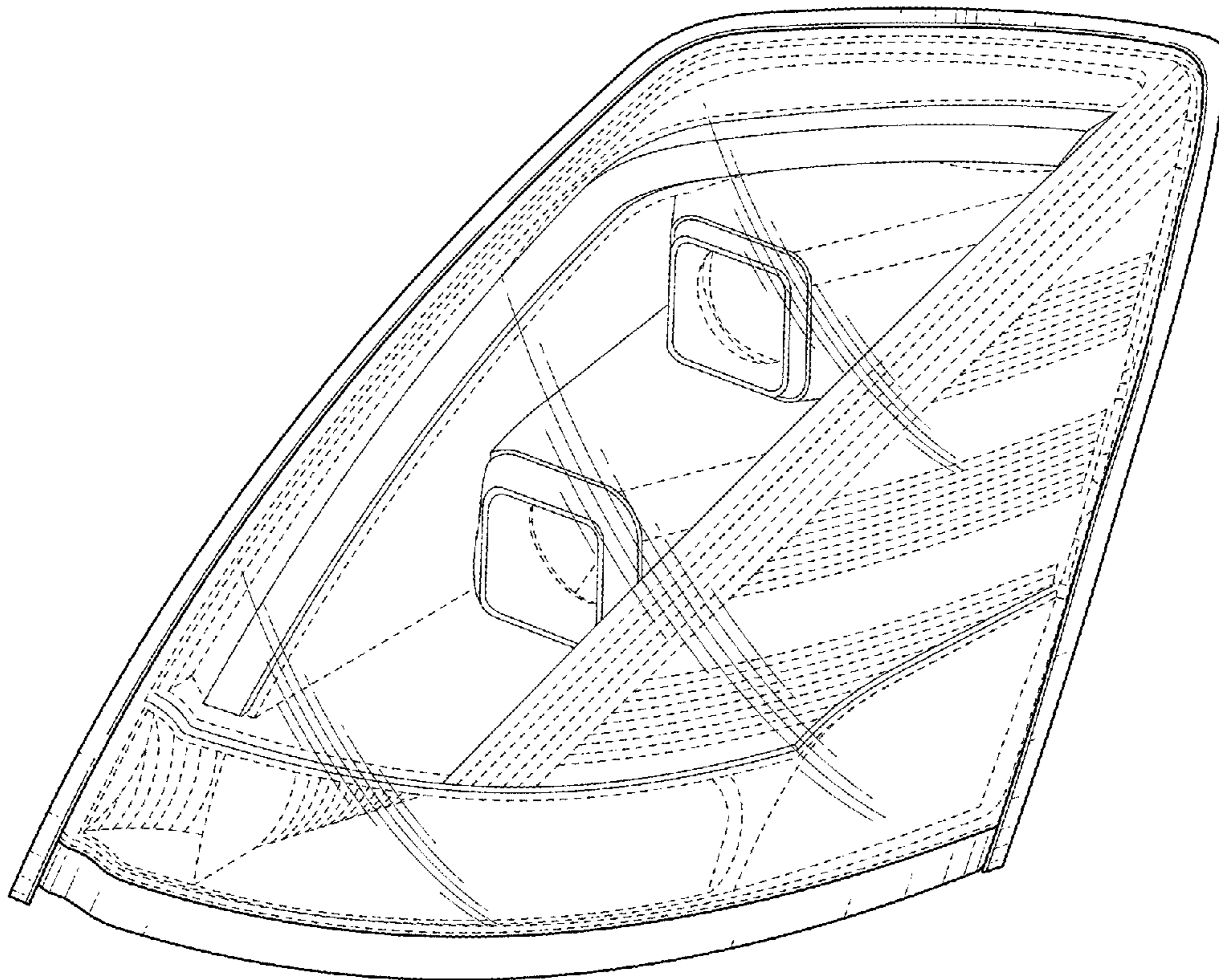
The ornamental design for an automobile headlight, as shown and described.

DESCRIPTION

FIG. 1 is a top view of an automobile headlight;
FIG. 2 is a front view thereof;
FIG. 3 is a left side view thereof; and,
FIG. 4 is a perspective view thereof.

The broken lines are included to show environmental structure and form no part of the claimed design. The drawings and descriptions represent the left side embodiment. The claim is also for a mirror image right side embodiment.

1 Claim, 4 Drawing Sheets



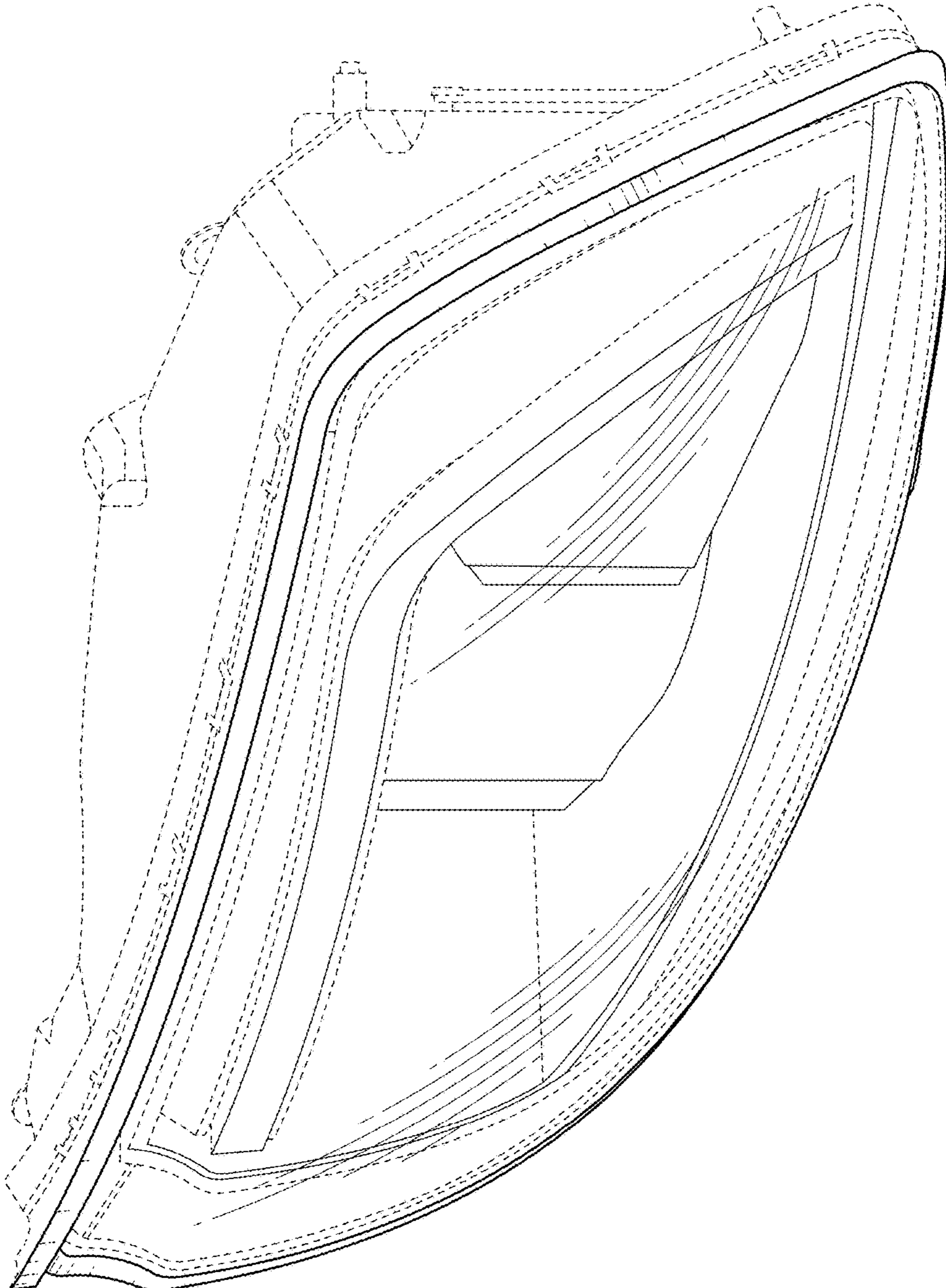


FIG. 1

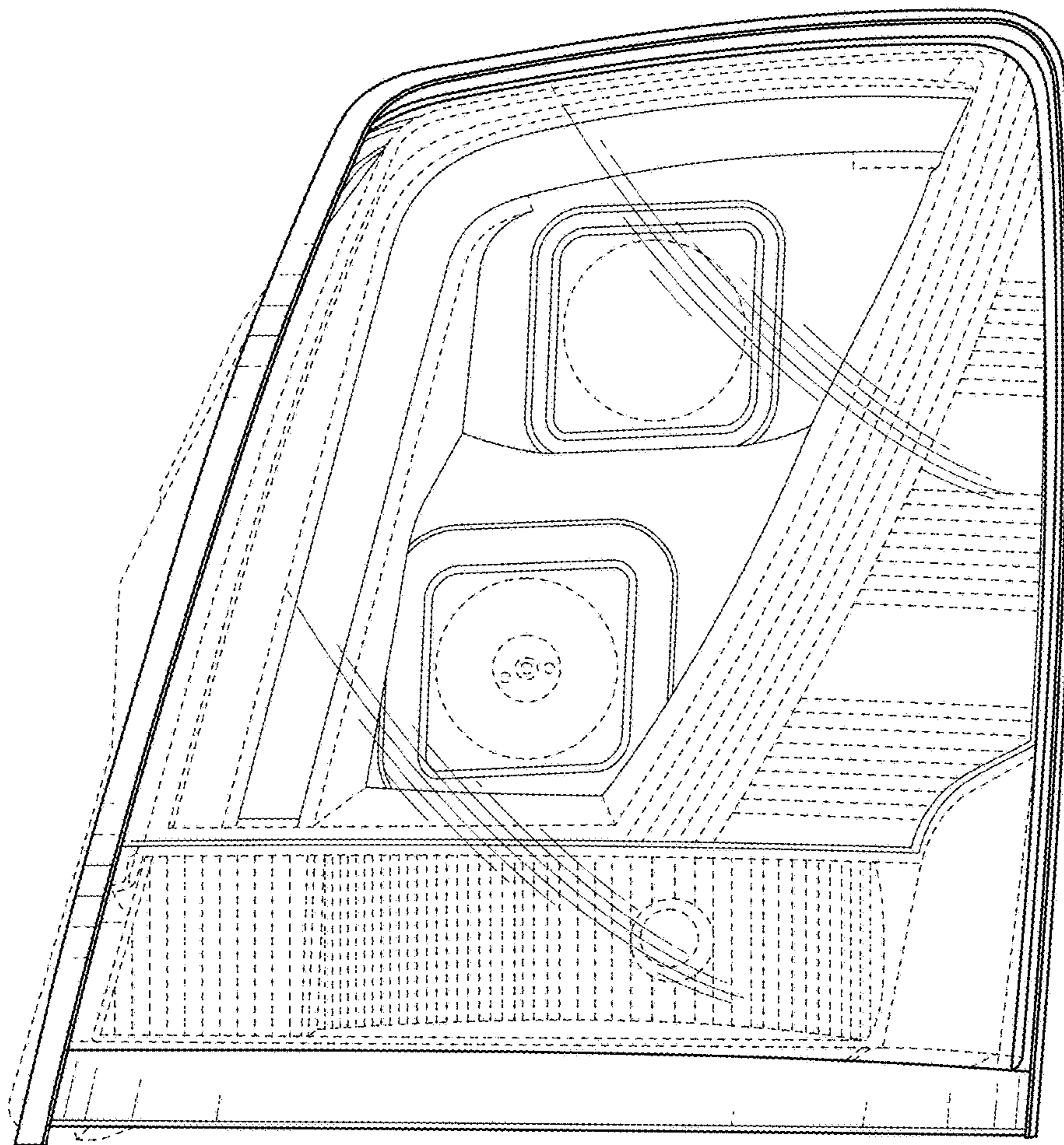


FIG. 2

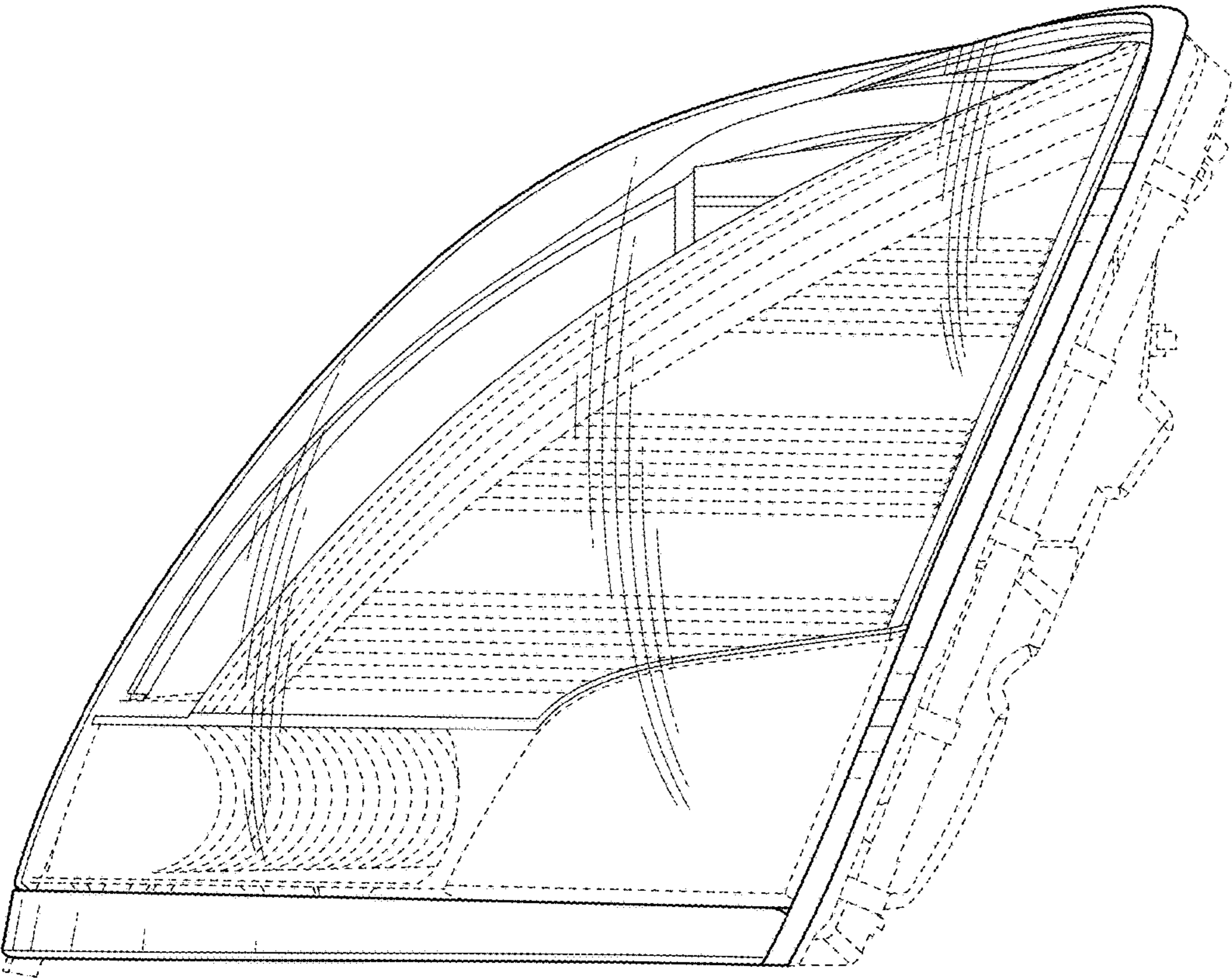


FIG. 3

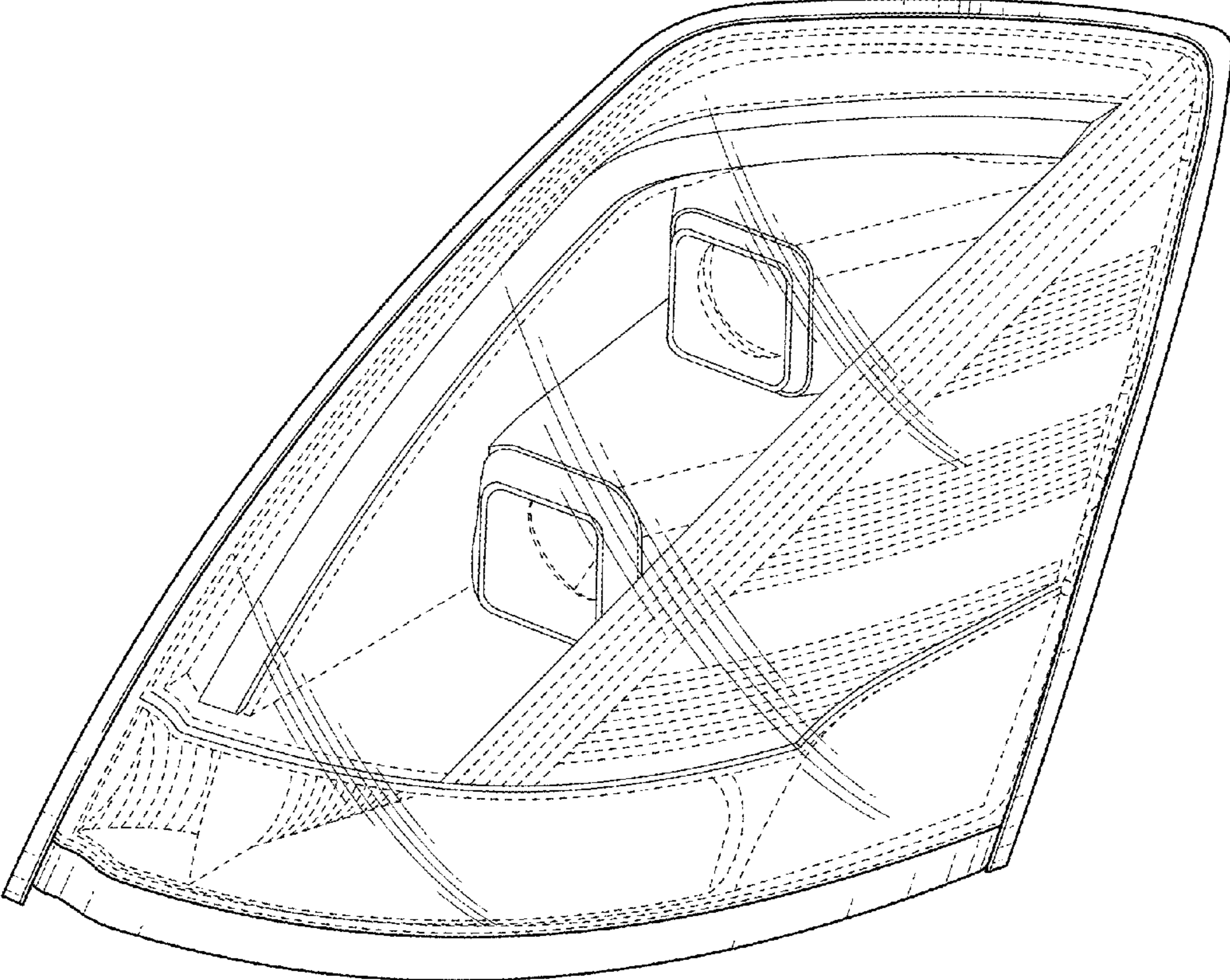


FIG. 4