



US00D810333S

(12) **United States Design Patent**
Lin

(10) **Patent No.:** **US D810,333 S**

(45) **Date of Patent:** **** Feb. 13, 2018**

(54) **AUTOMOBILE FOG LIGHT**

(71) Applicant: **Chi-Chung Lin**, Tainan (TW)

(72) Inventor: **Chi-Chung Lin**, Tainan (TW)

(**) Term: **15 Years**

(21) Appl. No.: **29/590,752**

(22) Filed: **Jan. 12, 2017**

(51) **LOC (11) Cl.** **26-06**

(52) **U.S. Cl.**
USPC **D26/28**

(58) **Field of Classification Search**
USPC D26/28-36; 362/80-83, 267-269,
362/459-468, 475-478, 485-487
CPC F21S 48/00; F21S 48/10; F21S 48/115;
F21S 48/1233; F21S 48/1266; F21S
48/1388; F21S 48/2268; F21V 21/04
See application file for complete search history.

(56) **References Cited**

U.S. PATENT DOCUMENTS

D490,172 S * 5/2004 Yamamoto D26/28
D521,162 S * 5/2006 Campagna D26/28

D532,537 S * 11/2006 Shiu D26/39
D564,683 S * 3/2008 Roach D26/28
D570,011 S * 5/2008 Huang D26/28
D638,963 S * 5/2011 Huang D26/28

* cited by examiner

Primary Examiner — Marcus Jackson

(74) *Attorney, Agent, or Firm* — Alexander Chen, Esq.

(57) **CLAIM**

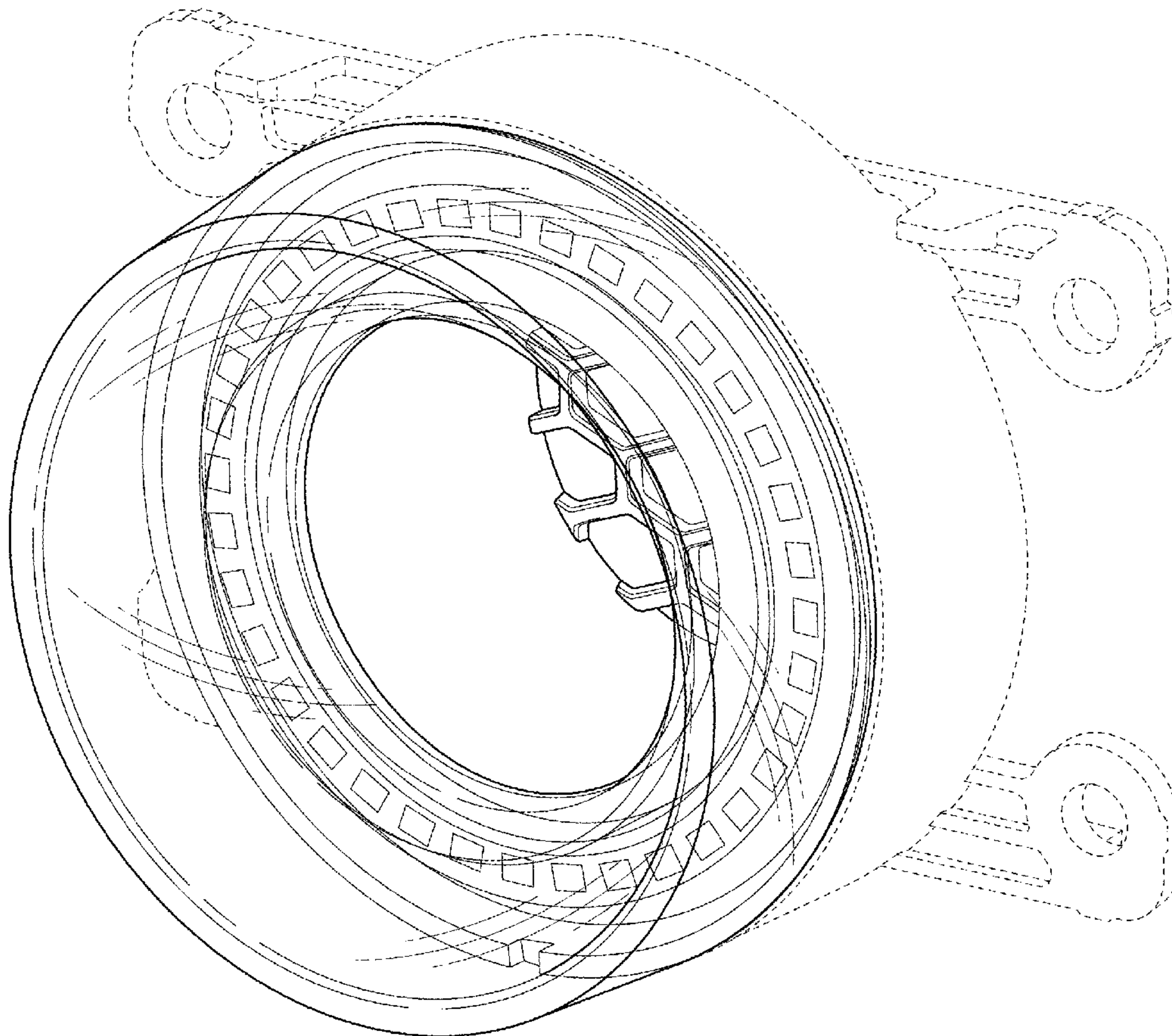
The ornamental design for an automobile fog light, as shown and described.

DESCRIPTION

FIG. 1 is a perspective view of an automobile fog light;
FIG. 2 is a front view thereof;
FIG. 3 is a left side view thereof;
FIG. 4 is a right side view thereof; and,
FIG. 5 is a bottom side view thereof.

The broken lines are included to show environmental structure and form no part of the claimed design.

1 Claim, 5 Drawing Sheets



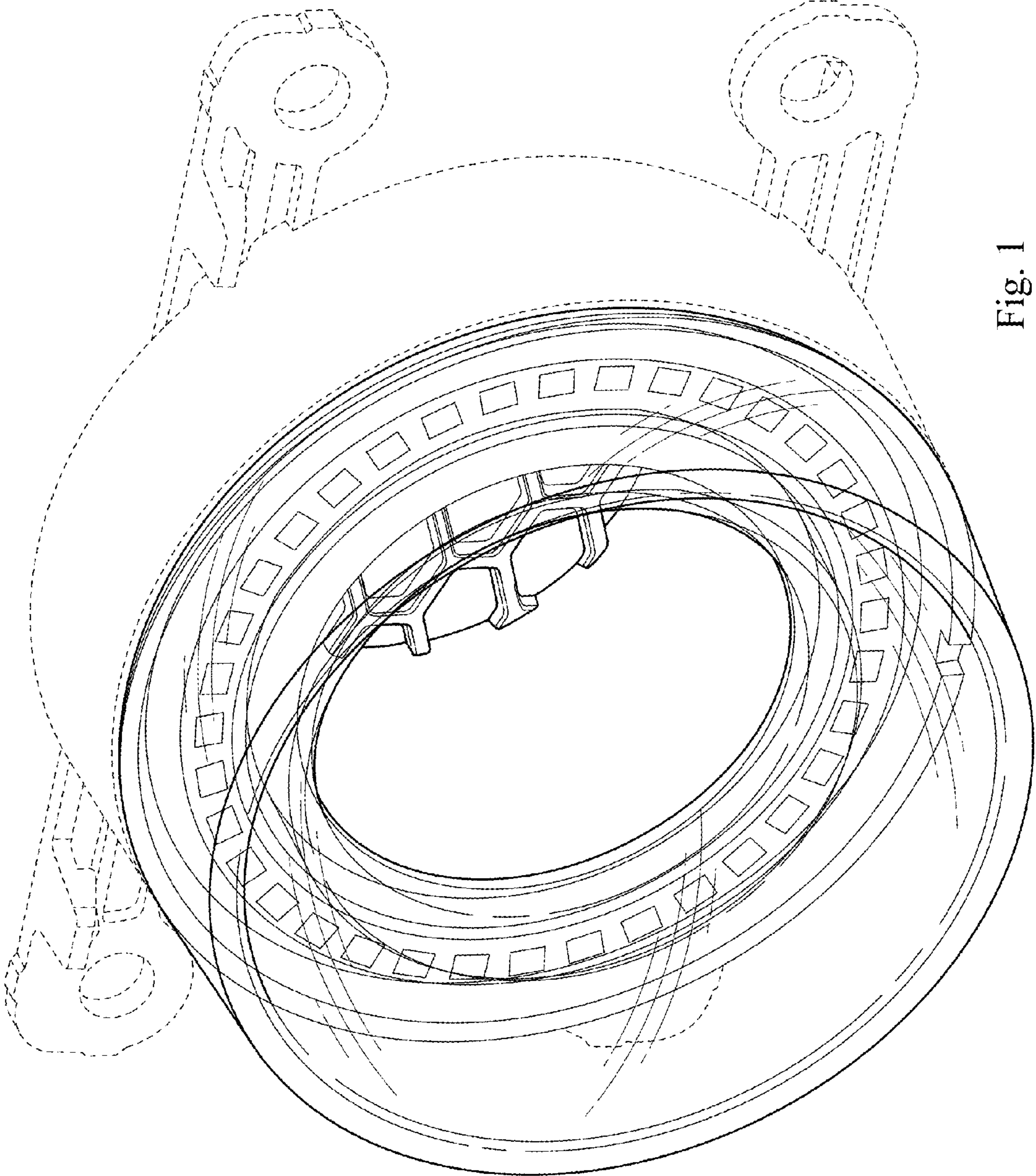


Fig. 1

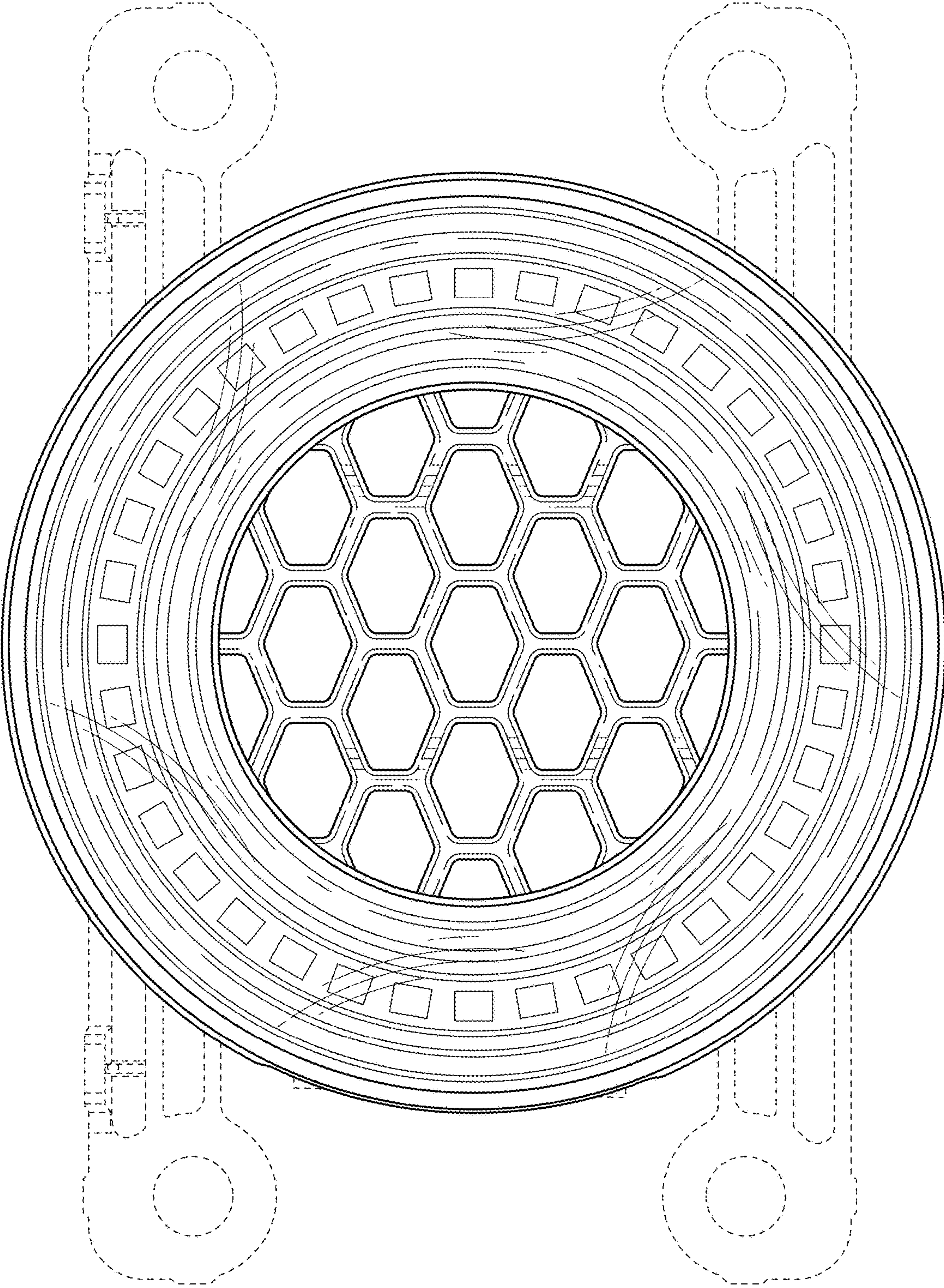


Fig. 2

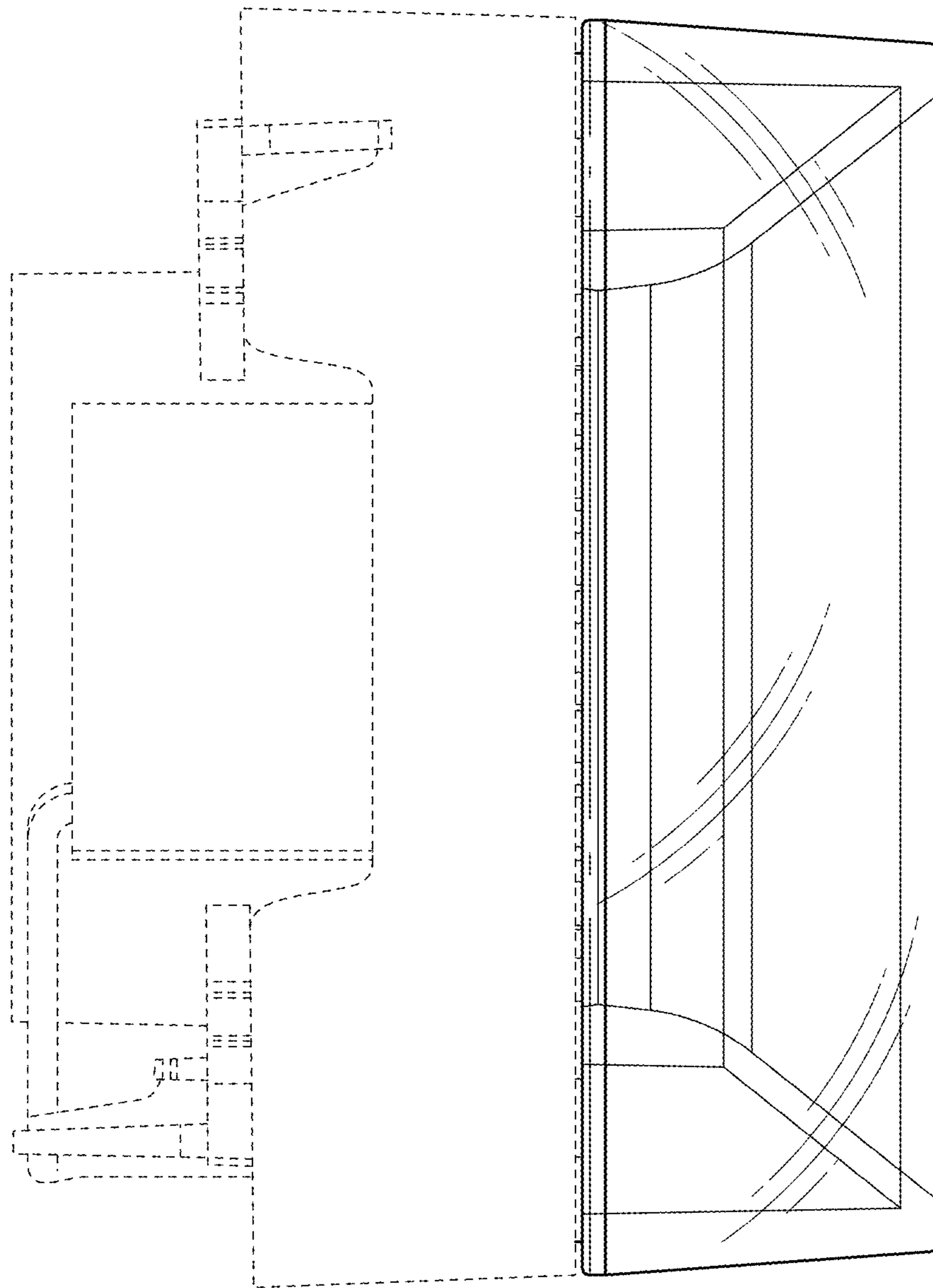


Fig. 3

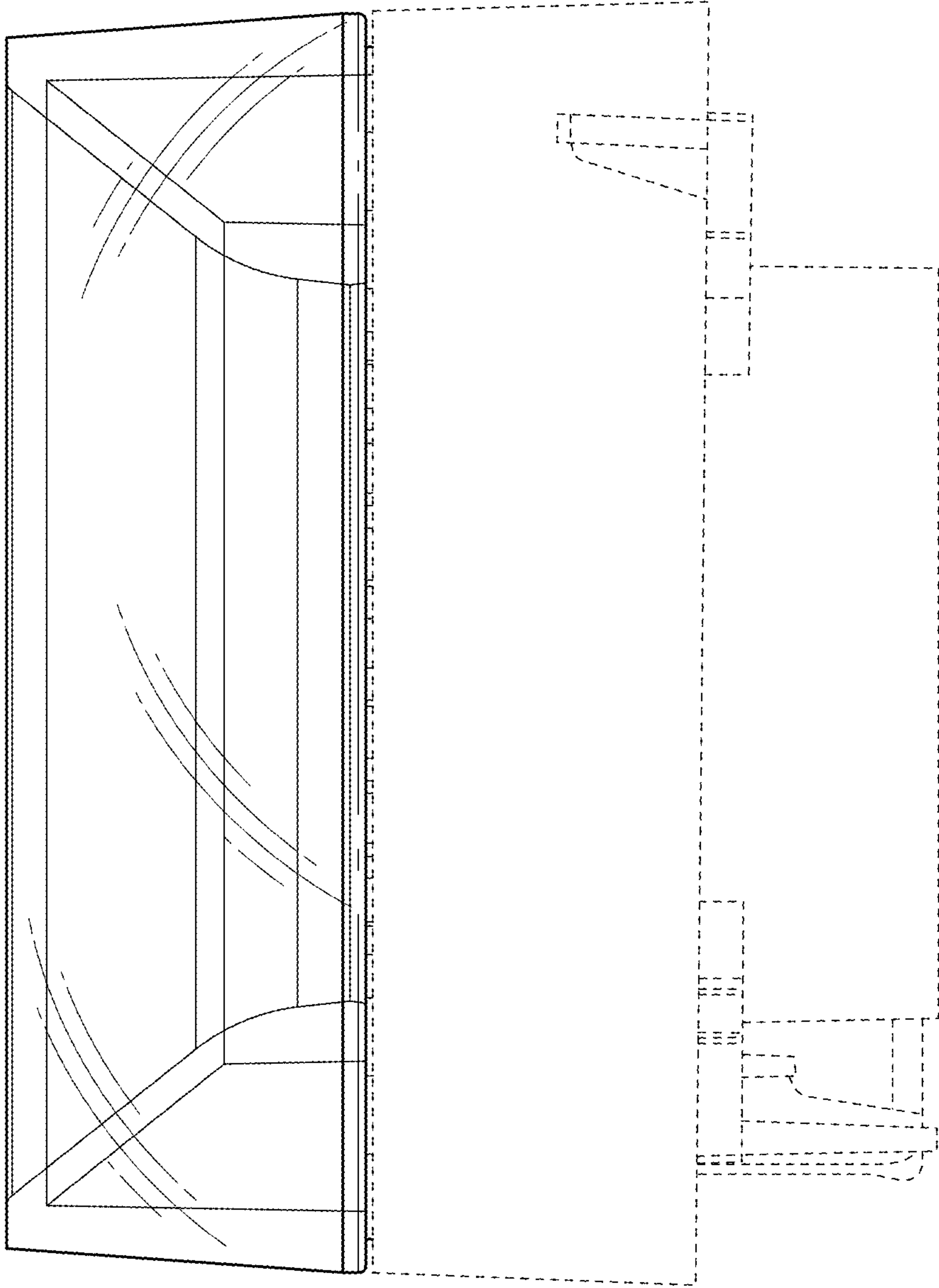


Fig. 4

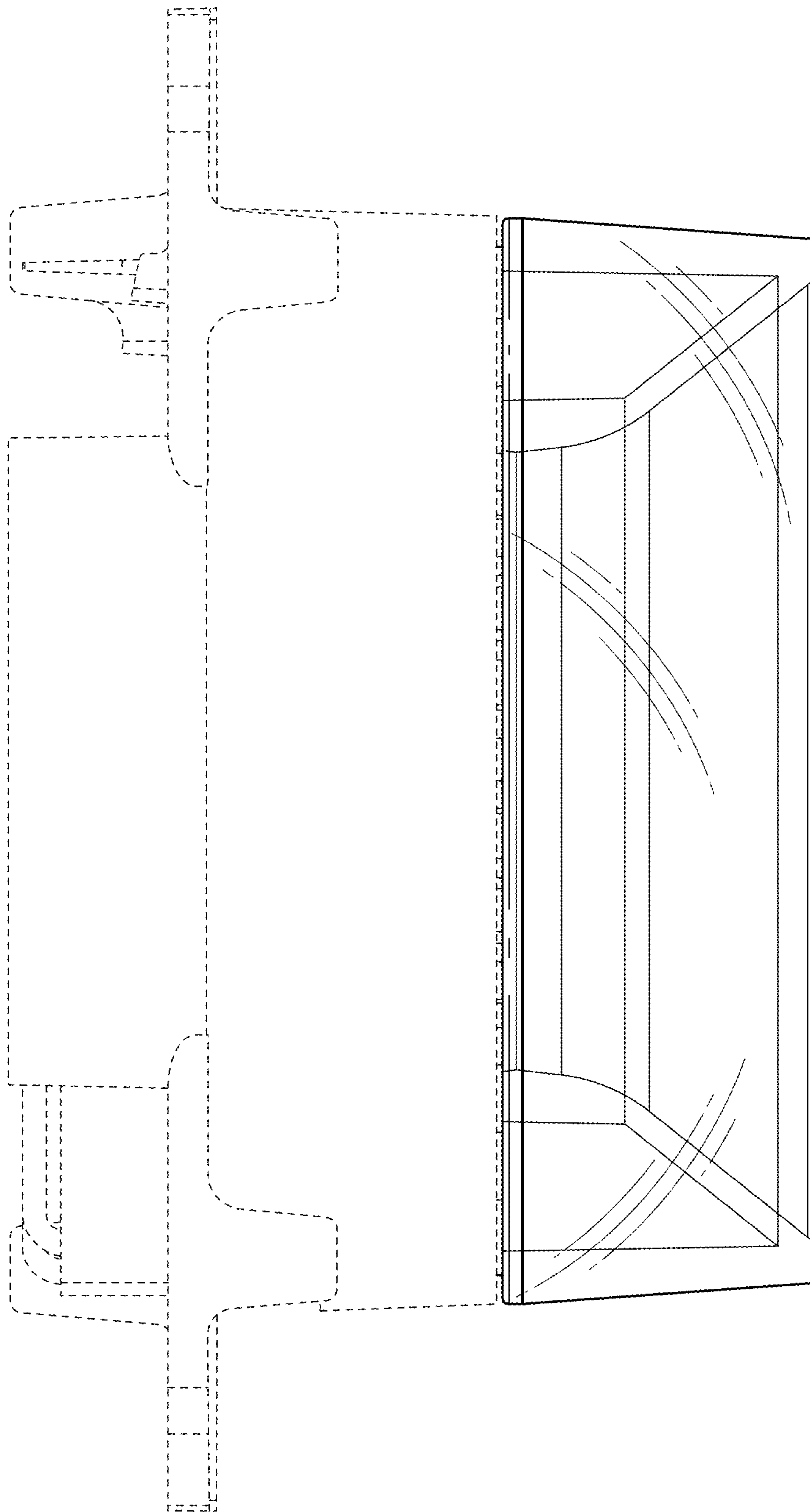


Fig. 5