



US00D810331S

(12) **United States Design Patent**  
**Jacq et al.**

(10) **Patent No.:** **US D810,331 S**  
(45) **Date of Patent:** **\*\* Feb. 13, 2018**

(54) **LIGHTING DEVICE**

(71) Applicant: **VALEO VISION**, Bobigny (FR)

(72) Inventors: **Alain Jacq**, Le Perreux sur Marne (FR); **Laurent Sauzay**, Villejuif (FR)

(73) Assignee: **VALEO VISION**, Bobigny (FR)

(\*\*) Term: **15 Years**

(21) Appl. No.: **29/589,238**

(22) Filed: **Dec. 29, 2016**

**Related U.S. Application Data**

(62) Division of application No. 29/535,341, filed on Aug. 5, 2015, now Pat. No. Des. 787,717.

**Foreign Application Priority Data**

Jul. 30, 2015 (WO) ..... 911422601

(51) **LOC (11) Cl.** ..... **26-07**

(52) **U.S. Cl.**  
USPC ..... **D26/28**

(58) **Field of Classification Search**  
USPC ..... D26/28-36; 362/459-468, 475-478, 362/485-487  
CPC ..... F21S 48/00; F21S 48/10; F21S 48/115; F21S 48/225; F21S 48/1233; F21S 48/1266; F21S 48/1388; F21S 48/2268; F21V 21/04  
See application file for complete search history.

(56) **References Cited**

**U.S. PATENT DOCUMENTS**

D235,227 S 5/1975 Cleary  
D360,961 S 8/1995 Czerlanis et al.  
D417,024 S 11/1999 Stuyfzand  
D600,838 S \* 9/2009 Kuboshima ..... D26/28

D613,440 S 4/2010 Lindholm  
D693,500 S 11/2013 Souvay et al.  
D694,928 S 12/2013 Chen  
D708,373 S \* 7/2014 Kani ..... D26/28  
D711,023 S \* 8/2014 Wu ..... D26/28  
D712,079 S \* 8/2014 DiPenti ..... F21S 48/1104  
D26/28  
D728,138 S \* 4/2015 Christ ..... D26/28  
D737,482 S \* 8/2015 Kuge ..... D26/28  
D739,581 S \* 9/2015 Huang ..... D26/28  
D741,528 S \* 10/2015 Glover ..... D26/28  
D747,524 S \* 1/2016 Jacq ..... D26/63  
D757,969 S \* 5/2016 Fan ..... D26/28  
D760,407 S \* 6/2016 Yang ..... D26/28

(Continued)

*Primary Examiner* — Angela J Lee

(74) *Attorney, Agent, or Firm* — Oblon, McClelland, Maier & Neustadt, L.L.P.

(57) **CLAIM**

The ornamental design for a lighting device, as shown and described.

**DESCRIPTION**

The present application is related to U.S. patent application Ser. No. 29/462,943, filed Aug. 9, 2013, the entire contents and disclosure of which are incorporated by reference herein.

FIG. 1 is a front, top, and left side perspective view of a lighting device;

FIG. 2 is a front and top perspective view thereof;

FIG. 3 is a front elevational view thereof;

FIG. 4 is a rear elevational view thereof;

FIG. 5 is a top plan view thereof;

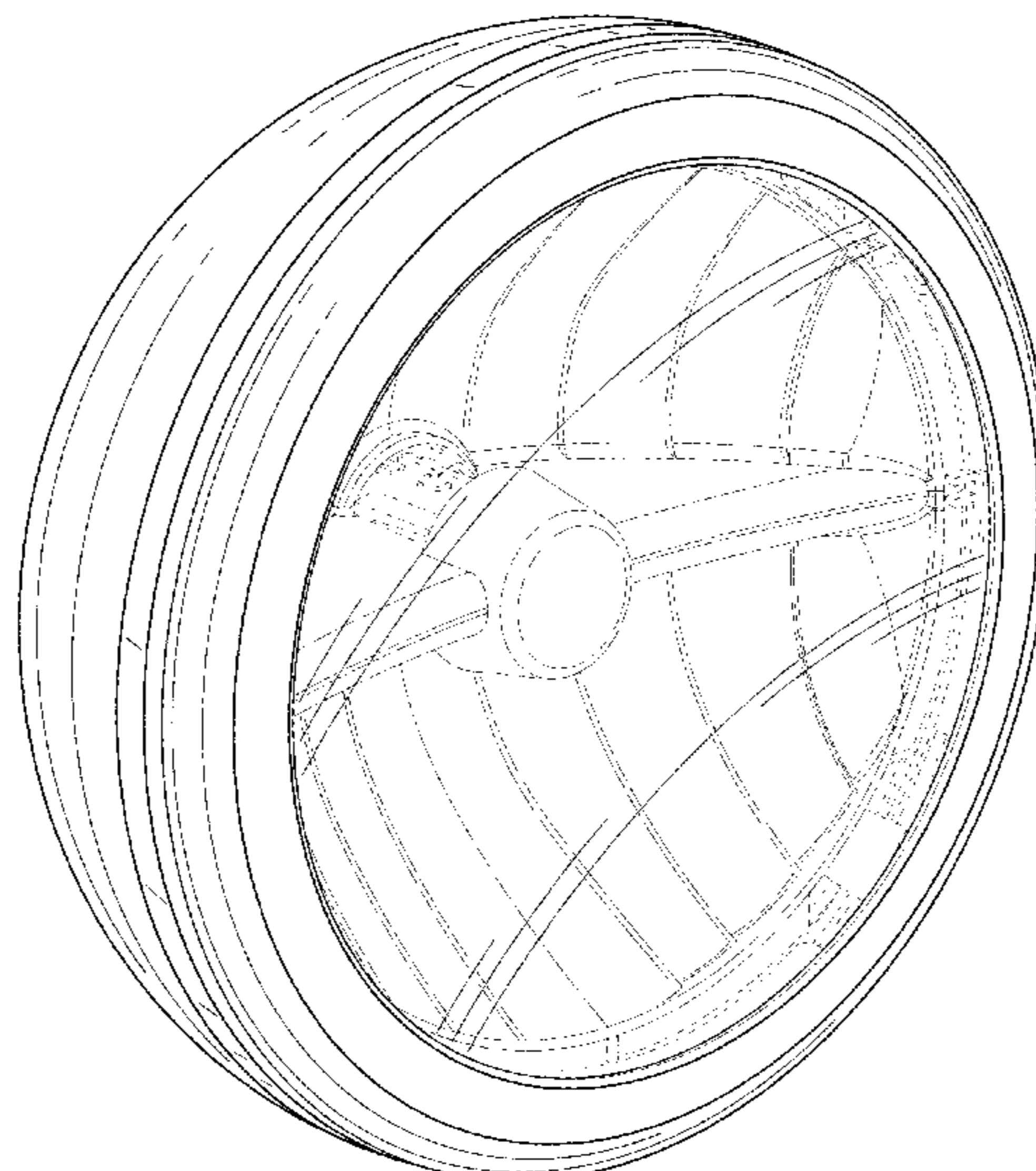
FIG. 6 is a bottom plan view thereof;

FIG. 7 is a right side elevational view thereof; and,

FIG. 8 is a left side elevational view thereof.

The broken lines in the drawings illustrate environmental subject matter and form no part of the claimed design.

**1 Claim, 8 Drawing Sheets**



(56)

**References Cited**

U.S. PATENT DOCUMENTS

D787,717 S \* 5/2017 Jacq ..... D26/28  
D788,334 S \* 5/2017 Jacq ..... D26/28

\* cited by examiner

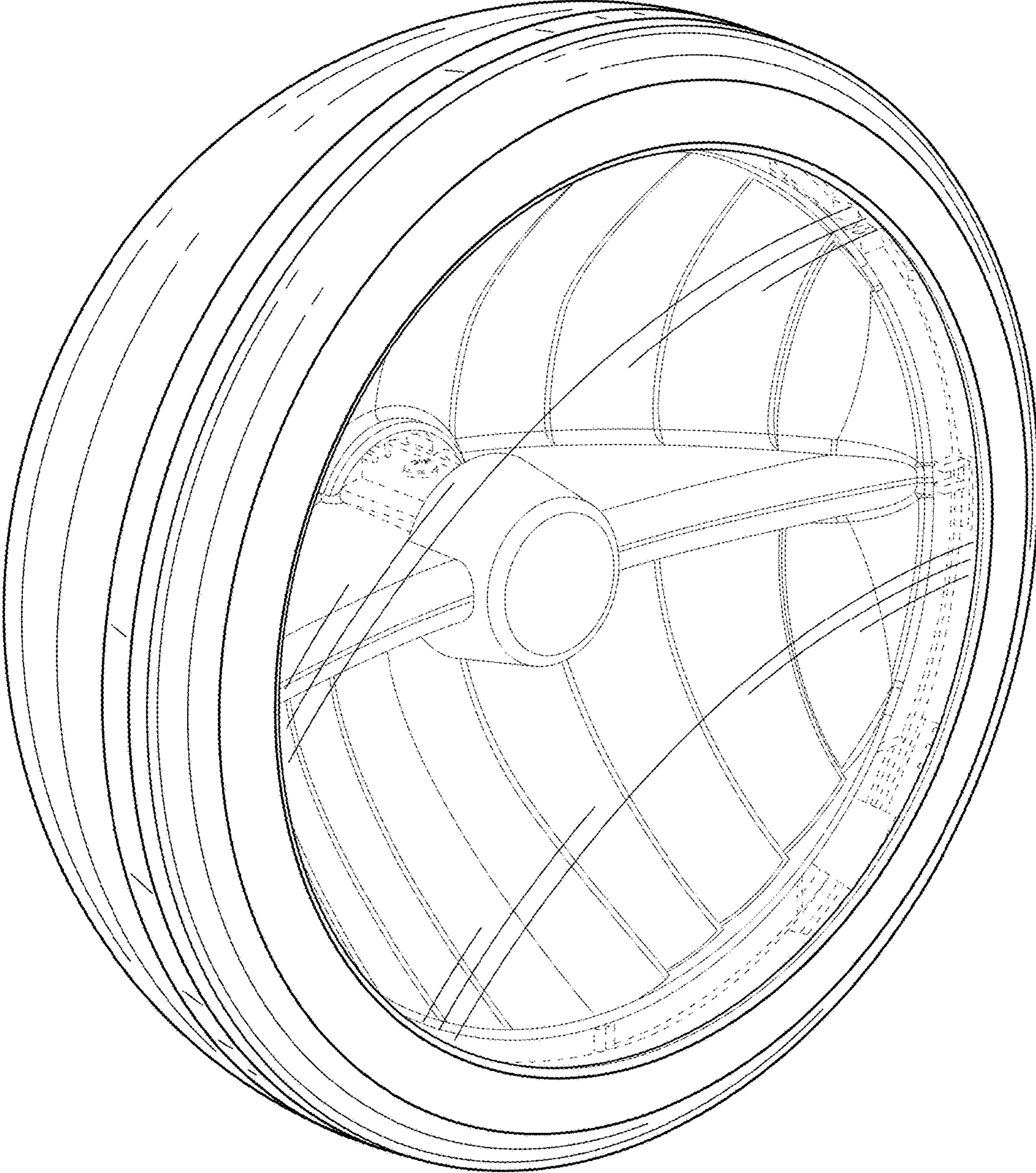


FIG. 1

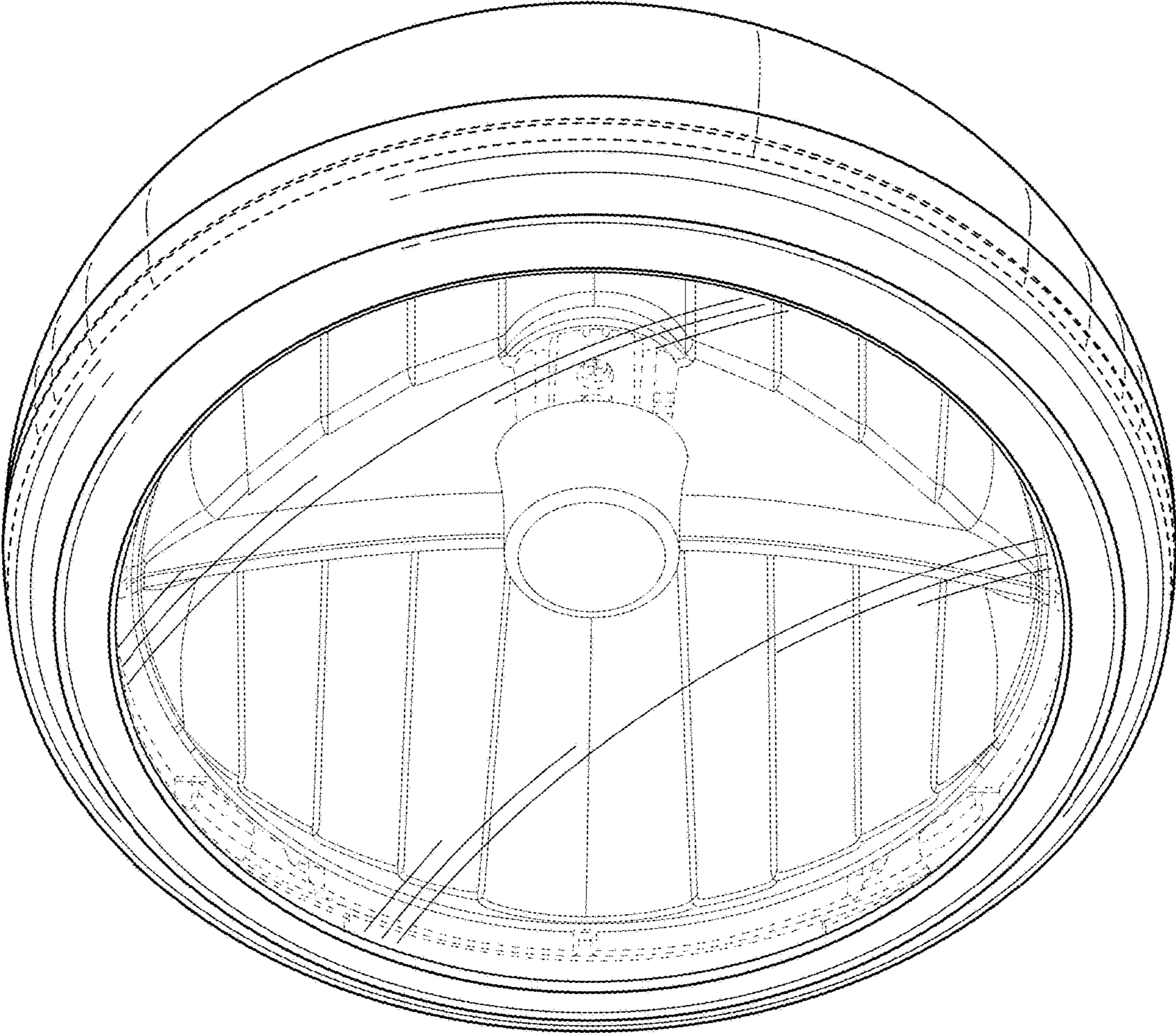


FIG. 2

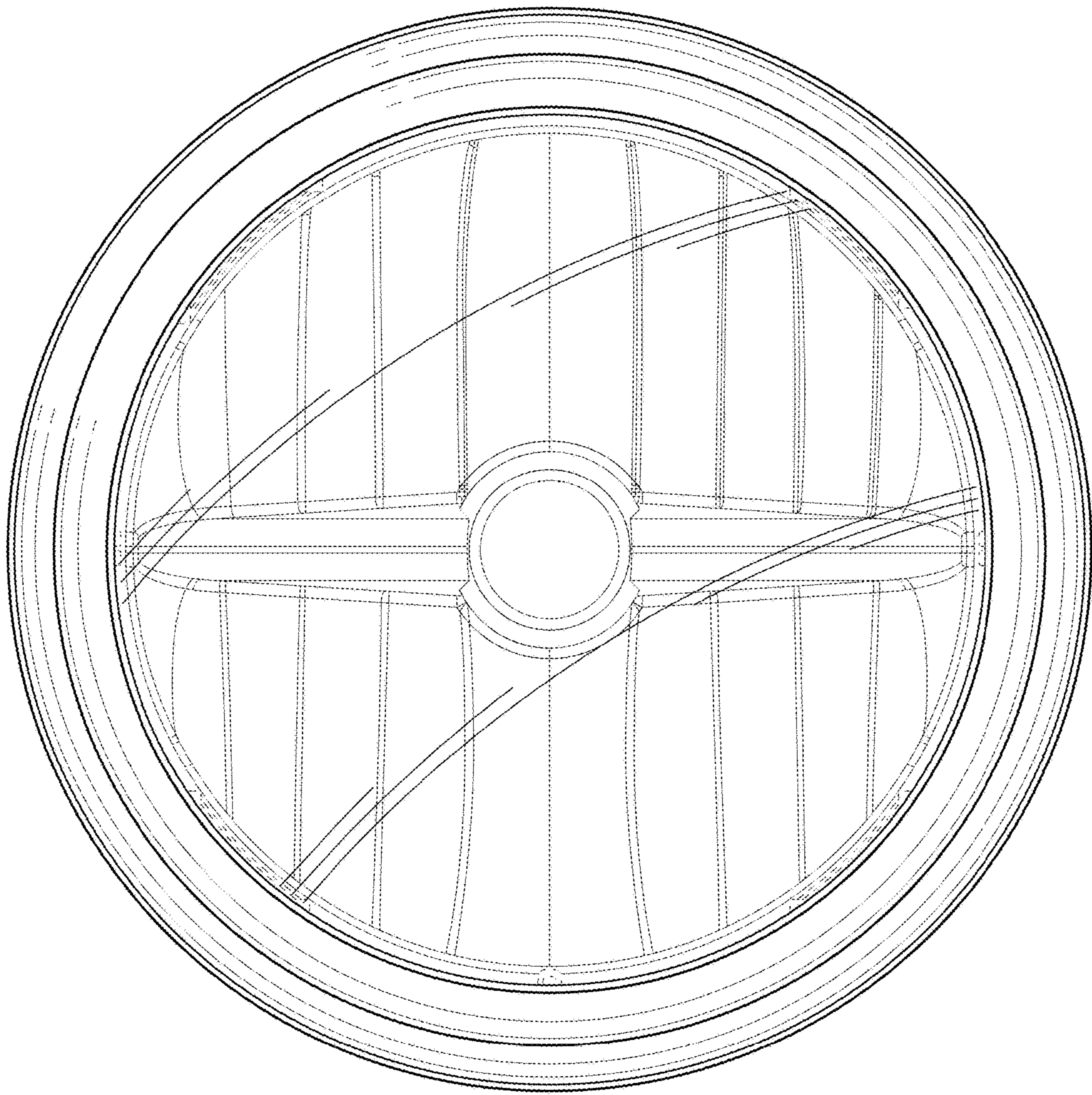


FIG. 3

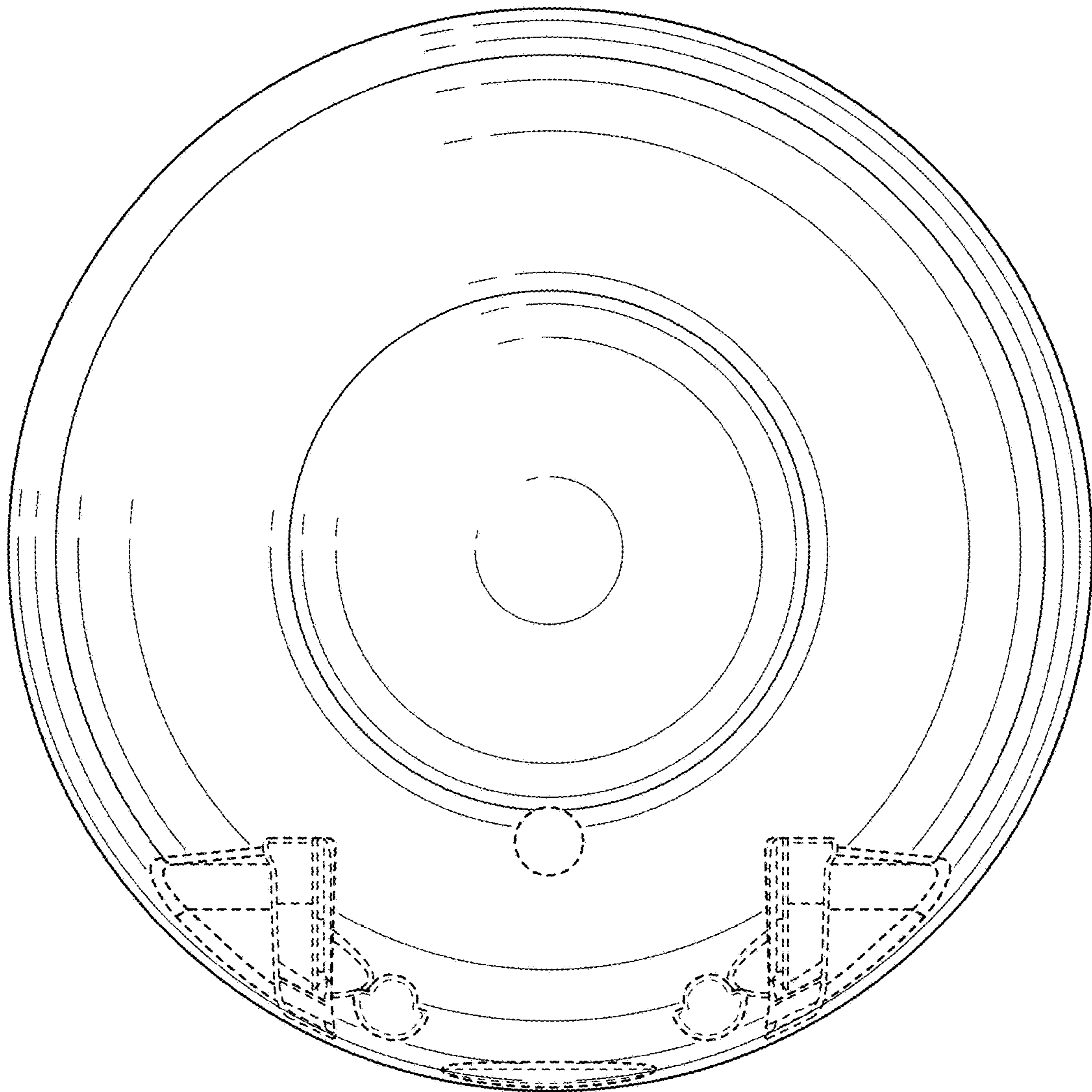


FIG. 4

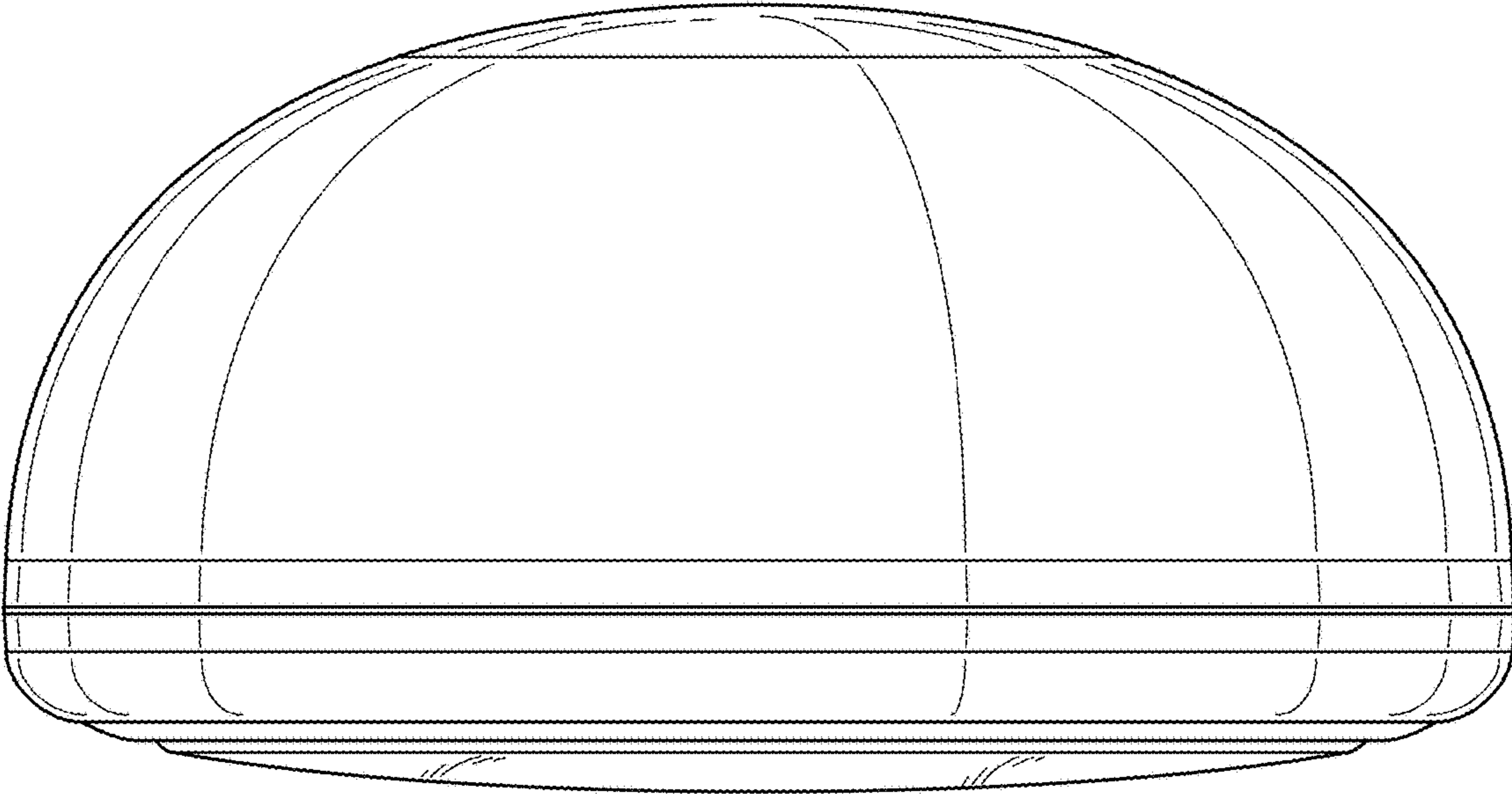


FIG. 5

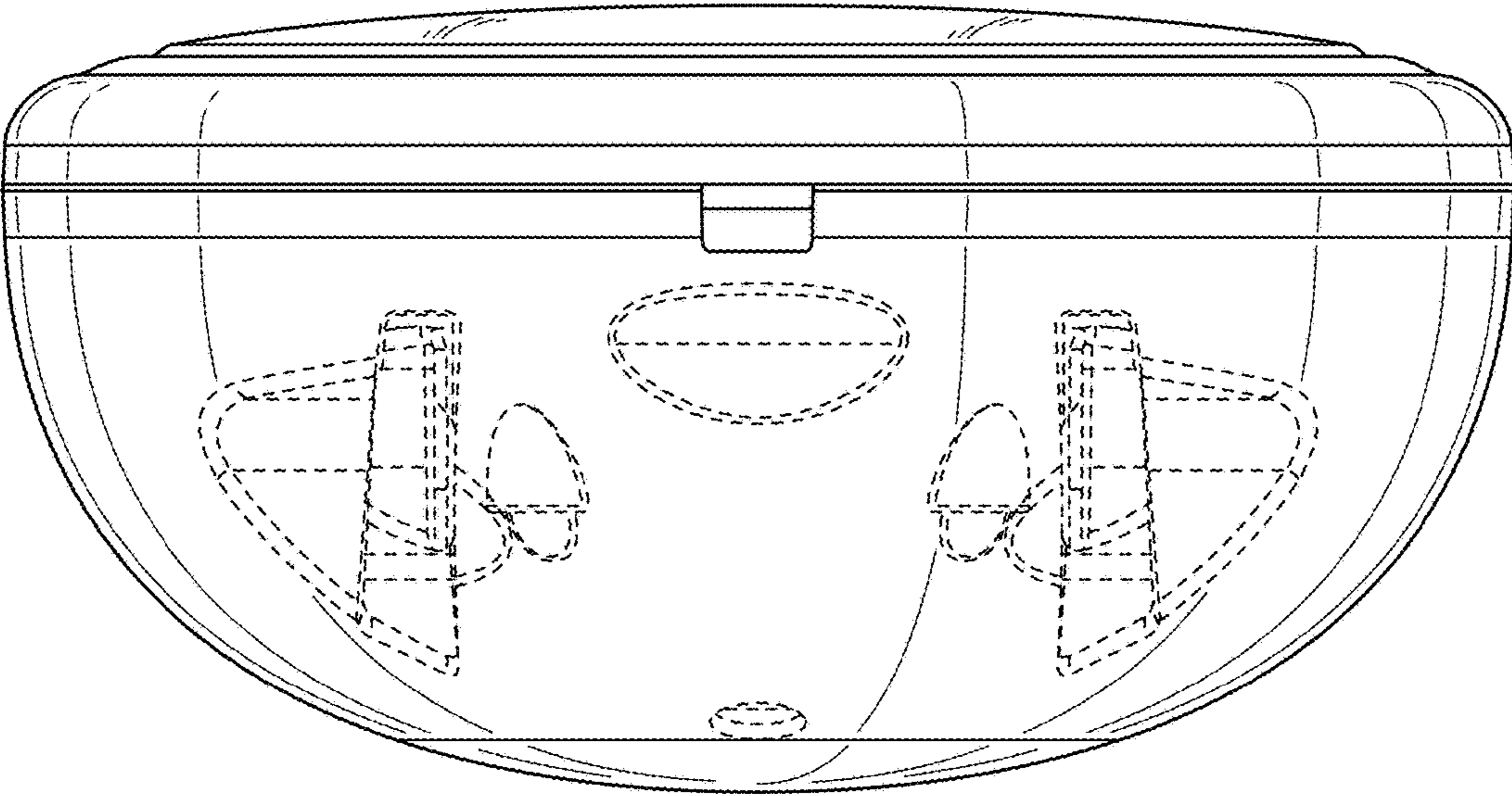


FIG. 6



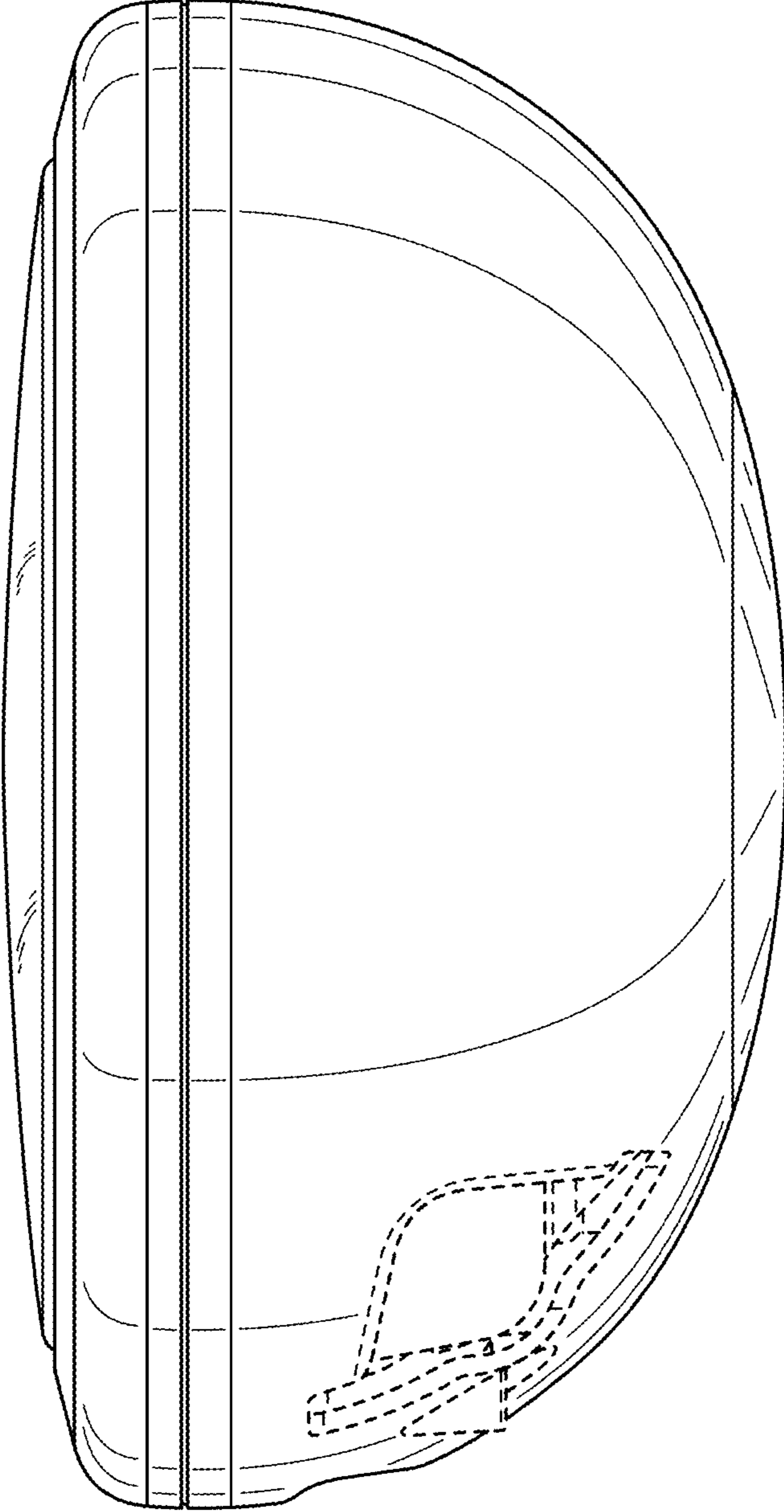


FIG. 7

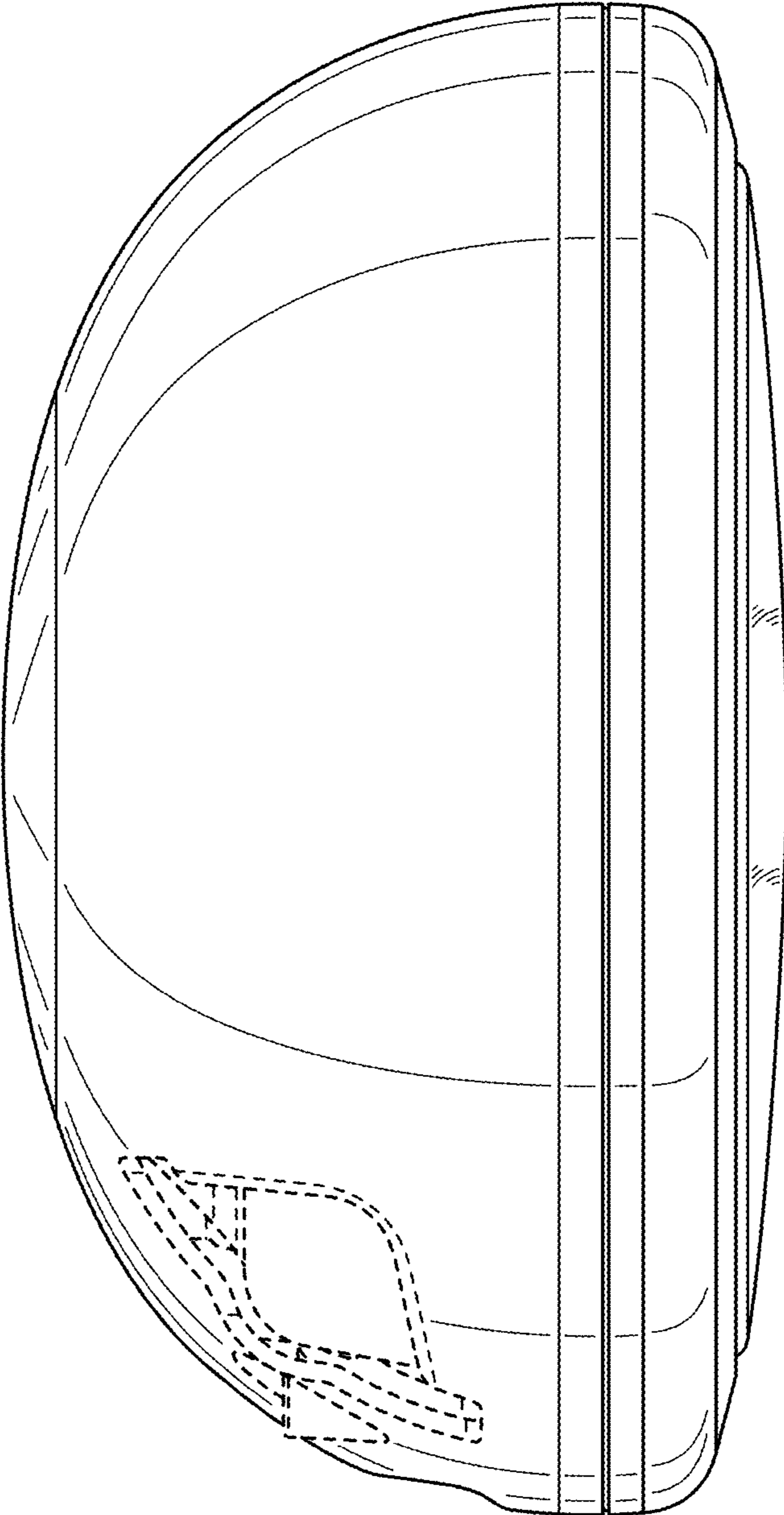


FIG. 8