



US00D810330S

(12) **United States Design Patent** (10) **Patent No.:** **US D810,330 S**  
**Sibitzky et al.** (45) **Date of Patent:** **\*\* Feb. 13, 2018**

(54) **LIGHT FIXTURE**  
(71) Applicant: **JST Performance, LLC**, Gilbert, AZ (US)  
(72) Inventors: **Pete D. Sibitzky**, Lakeside, CA (US); **Bradley J. LaMarche**, Gilbert, AZ (US); **Edgar A. Madril**, Mesa, AZ (US)  
(73) Assignee: **JST Performance, LLC**, Gilbert, AZ (US)  
(\*\*) Term: **15 Years**  
(21) Appl. No.: **29/565,489**  
(22) Filed: **May 20, 2016**  
(51) **LOC (11) Cl.** ..... **26-07**  
(52) **U.S. Cl.**  
USPC ..... **D26/28**  
(58) **Field of Classification Search**  
USPC ..... D26/28-36; 362/459-468, 475-478, 362/485-487  
CPC ..... F21S 48/00; F21S 48/10; F21S 48/115; F21S 48/225; F21S 48/1233; F21S 48/1266; F21S 48/1388; F21S 48/2268; F21V 21/04  
See application file for complete search history.

D738,019 S 9/2015 Lin  
D740,997 S 10/2015 Chang  
D747,030 S 1/2016 Pfund  
D759,272 S \* 6/2016 Fan ..... D26/28  
D761,482 S \* 7/2016 Largent ..... D26/118  
D770,078 S \* 10/2016 Largent ..... D26/118  
D775,402 S \* 12/2016 Sibitzky ..... D26/118  
D775,404 S \* 12/2016 Adams ..... D26/118  
D782,092 S \* 3/2017 Heiner ..... D26/63

**FOREIGN PATENT DOCUMENTS**

CA 127366 5/2009

\* cited by examiner

*Primary Examiner* — Angela J Lee

(57) **CLAIM**

The ornamental design for a light fixture, as shown and described.

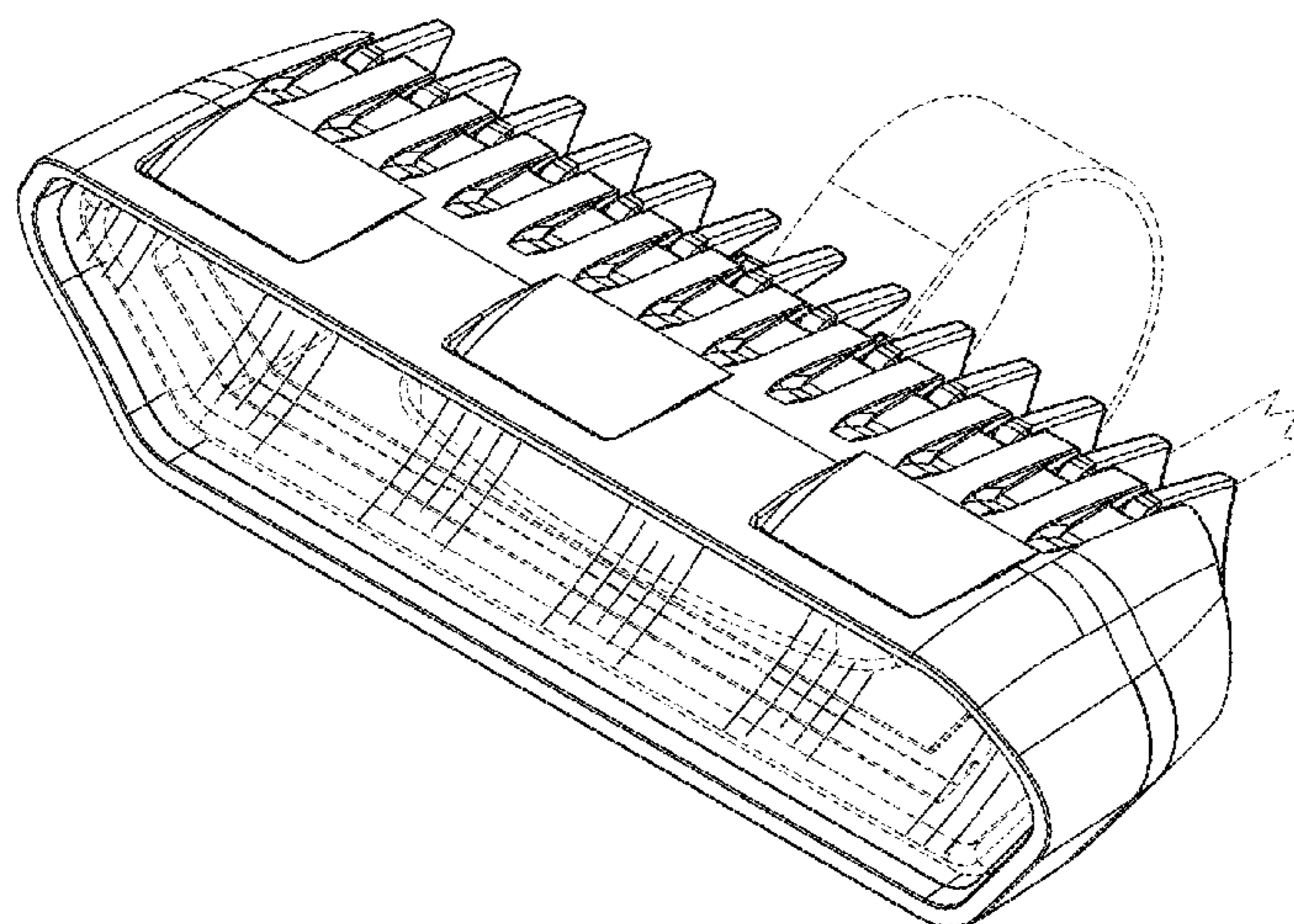
**DESCRIPTION**

FIG. 1 is a front, top, right, perspective view of a light fixture showing our new design;  
FIG. 2 is a front, top, left, perspective view thereof;  
FIG. 3 is a front, bottom, right, perspective view thereof;  
FIG. 4 is a front, bottom, left, perspective view thereof;  
FIG. 5 is a back, top, right, perspective view thereof;  
FIG. 6 is a back, top, left, perspective view thereof;  
FIG. 7 is a back, bottom, right, perspective view thereof;  
FIG. 8 is a back, bottom, left perspective view thereof;  
FIG. 9 is a front side view thereof;  
FIG. 10 is a back side view thereof;  
FIG. 11 is a right side view thereof;  
FIG. 12 is a left side view thereof;  
FIG. 13 is a top view thereof; and,  
FIG. 14 is a bottom view thereof.

The broken lines in the drawings illustrate portions of the light fixture which form no part of the claimed design.

**1 Claim, 14 Drawing Sheets**

(56) **References Cited**  
**U.S. PATENT DOCUMENTS**  
D545,981 S \* 7/2007 Main ..... D26/28  
D643,955 S \* 8/2011 Tsai ..... D26/28  
D675,758 S 2/2013 Adams  
D697,241 S \* 1/2014 Chen ..... D26/28  
D704,364 S \* 5/2014 Adams ..... D26/28  
D708,778 S \* 7/2014 Sibitzky ..... D26/118  
D718,478 S 11/2014 Adams  
D722,186 S \* 2/2015 Epmeier ..... D26/28  
D732,219 S \* 6/2015 Adams ..... D26/63



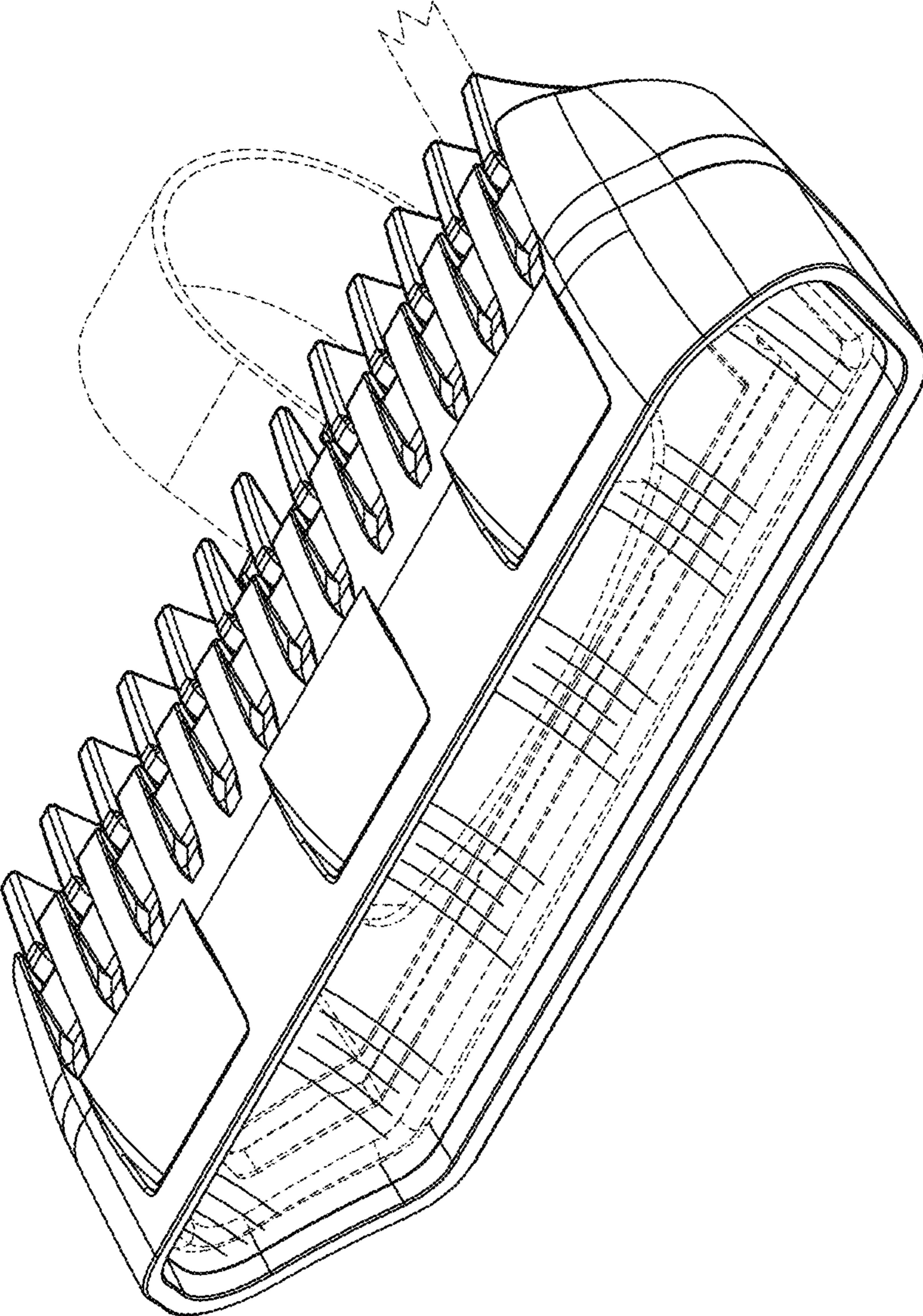


FIG. 1

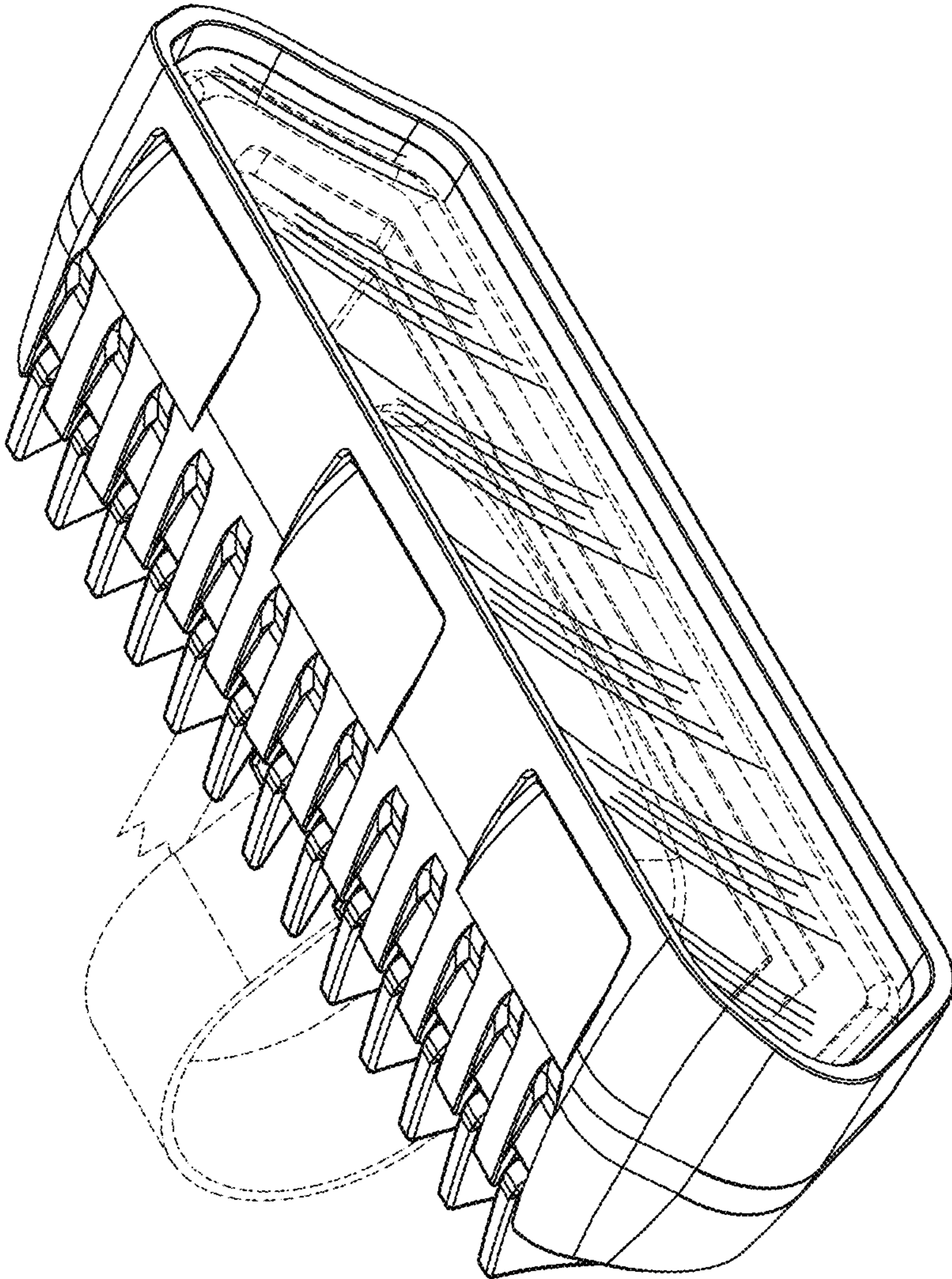


FIG. 2

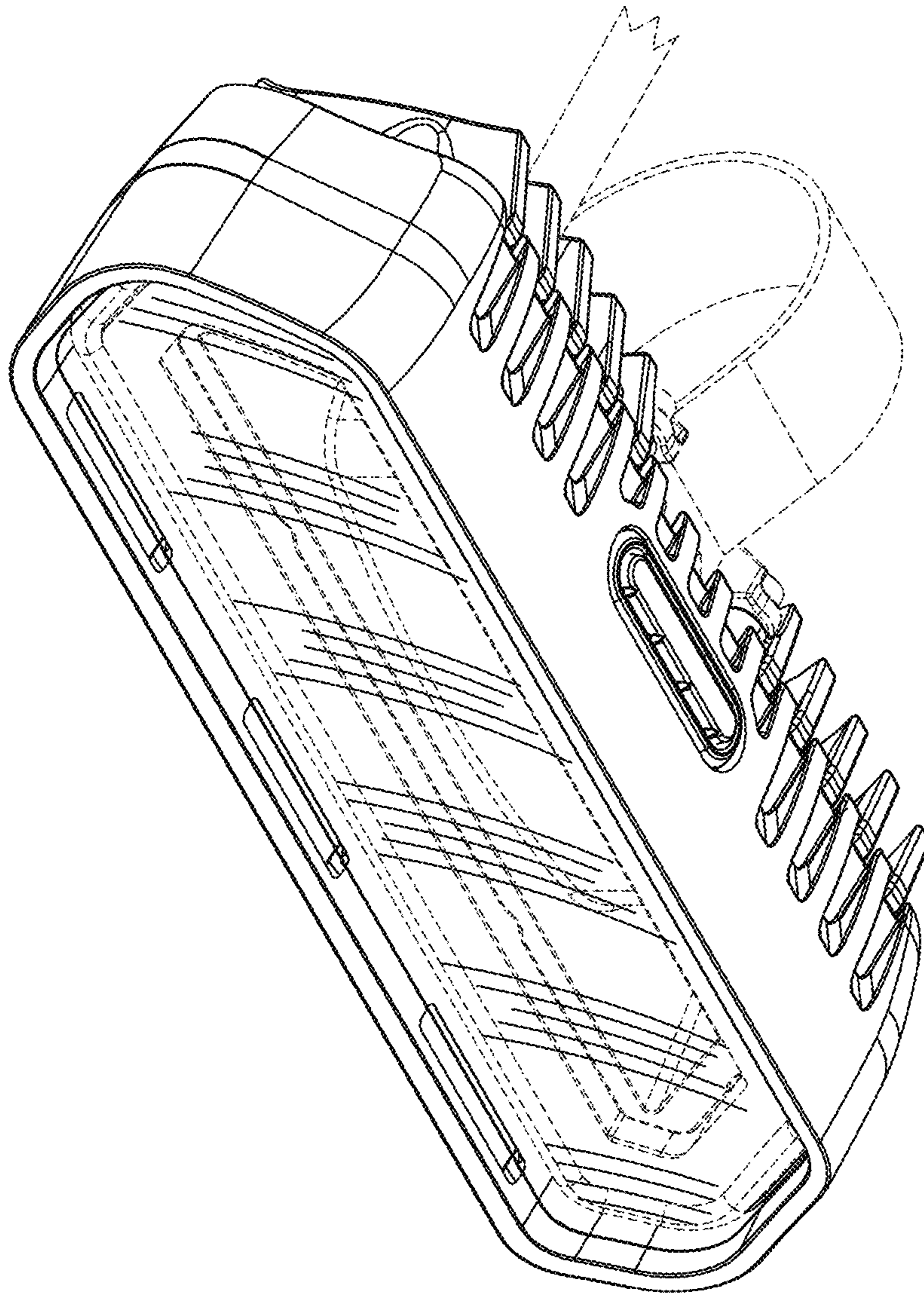


FIG. 3

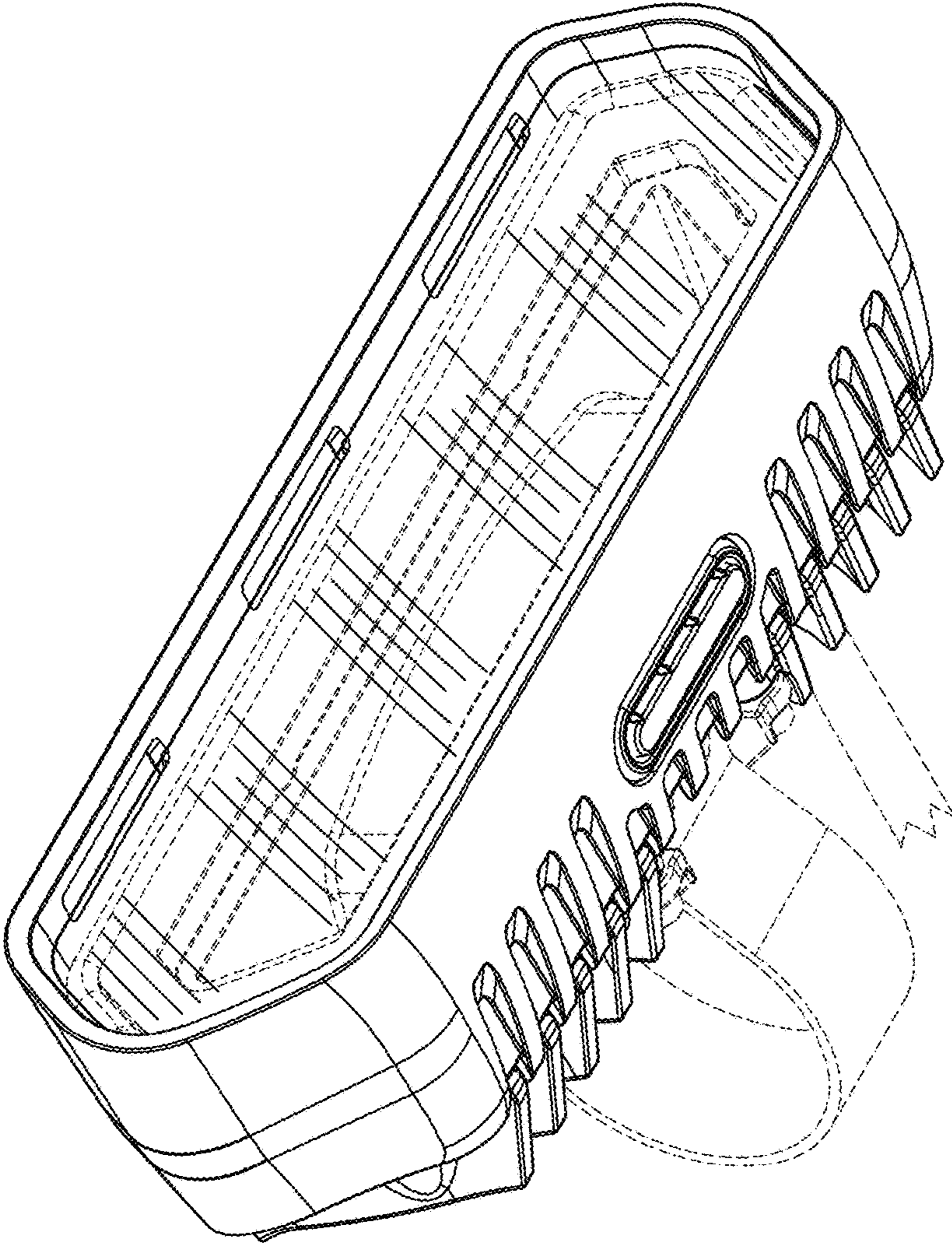


FIG. 4

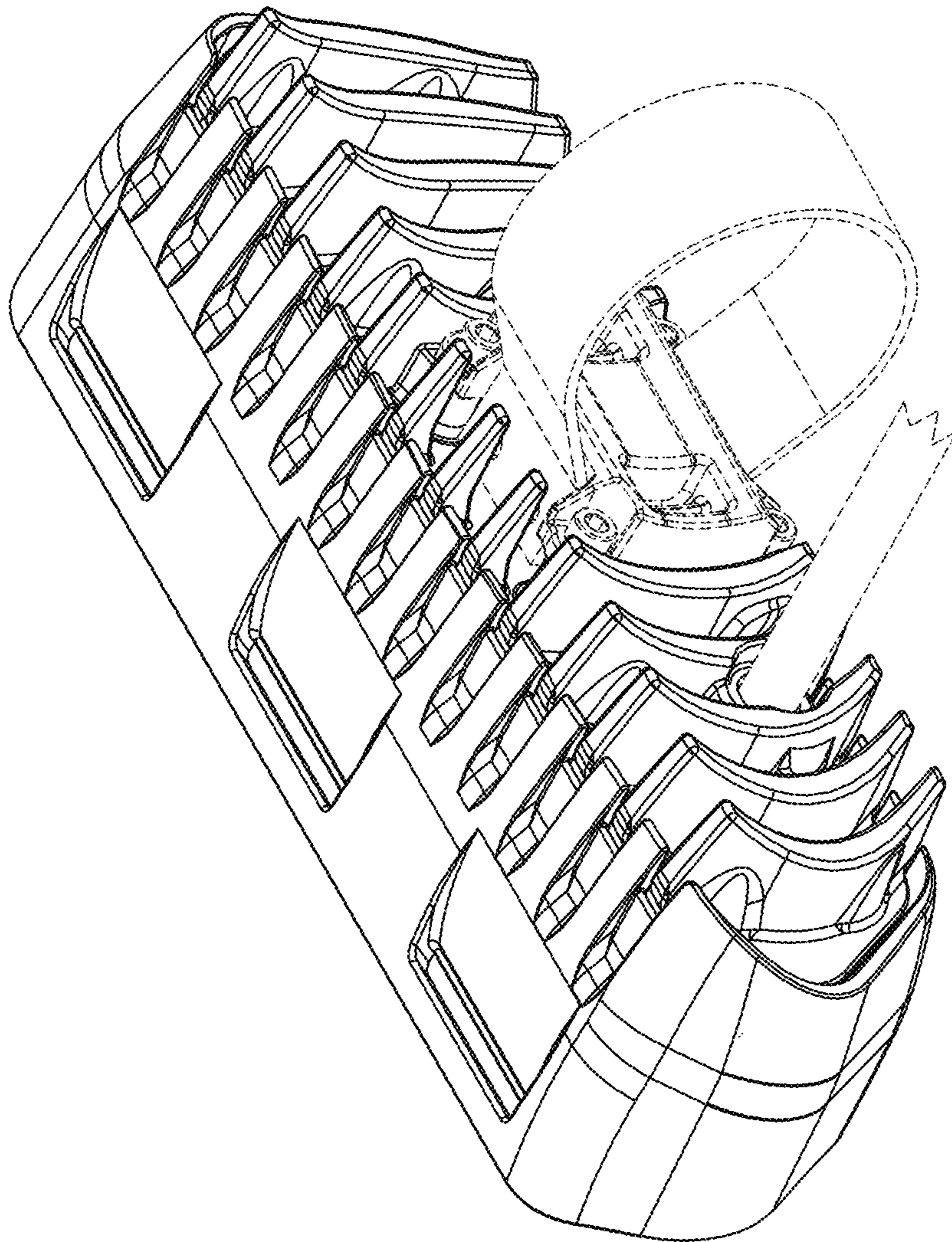


FIG. 5

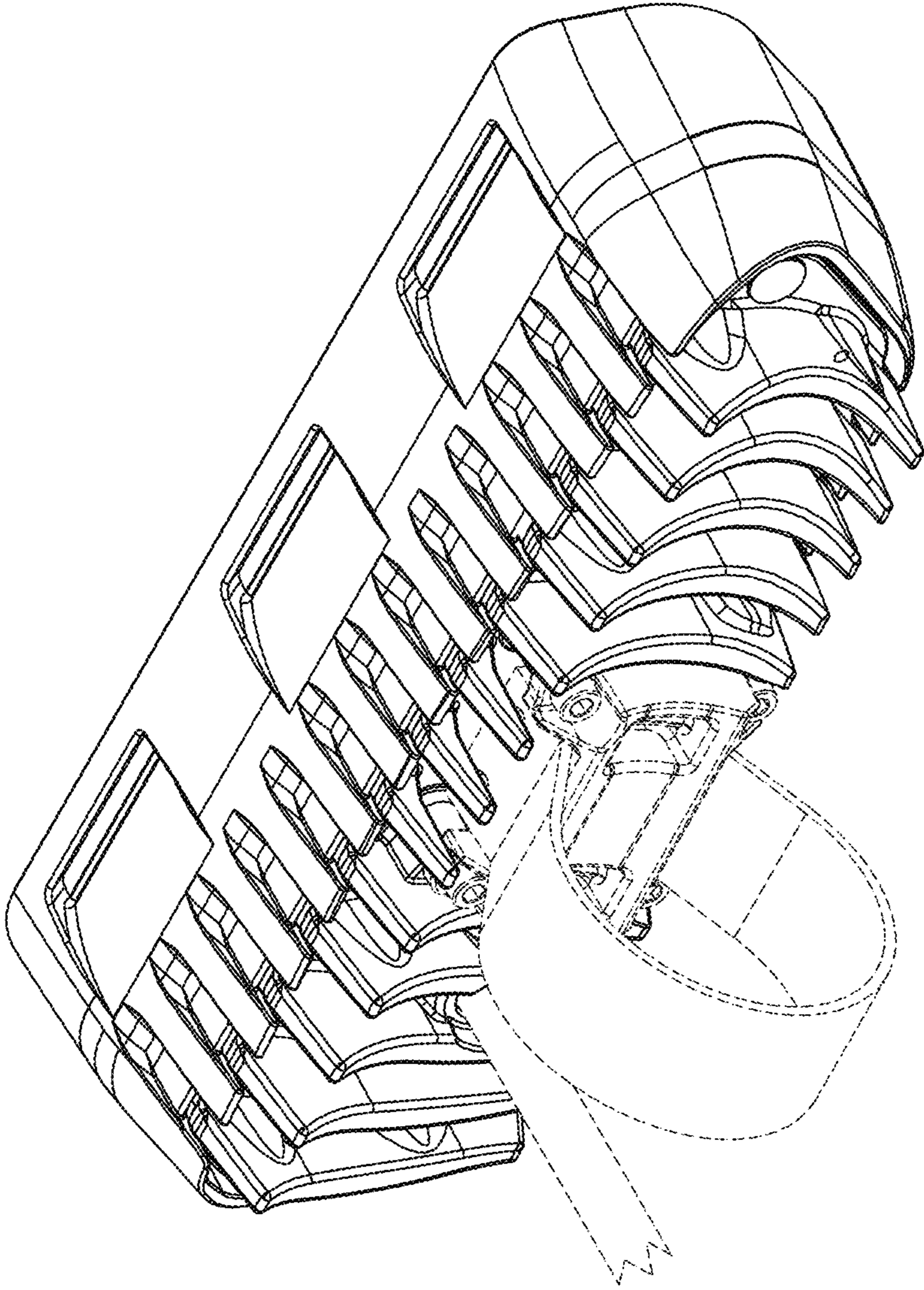


FIG. 6

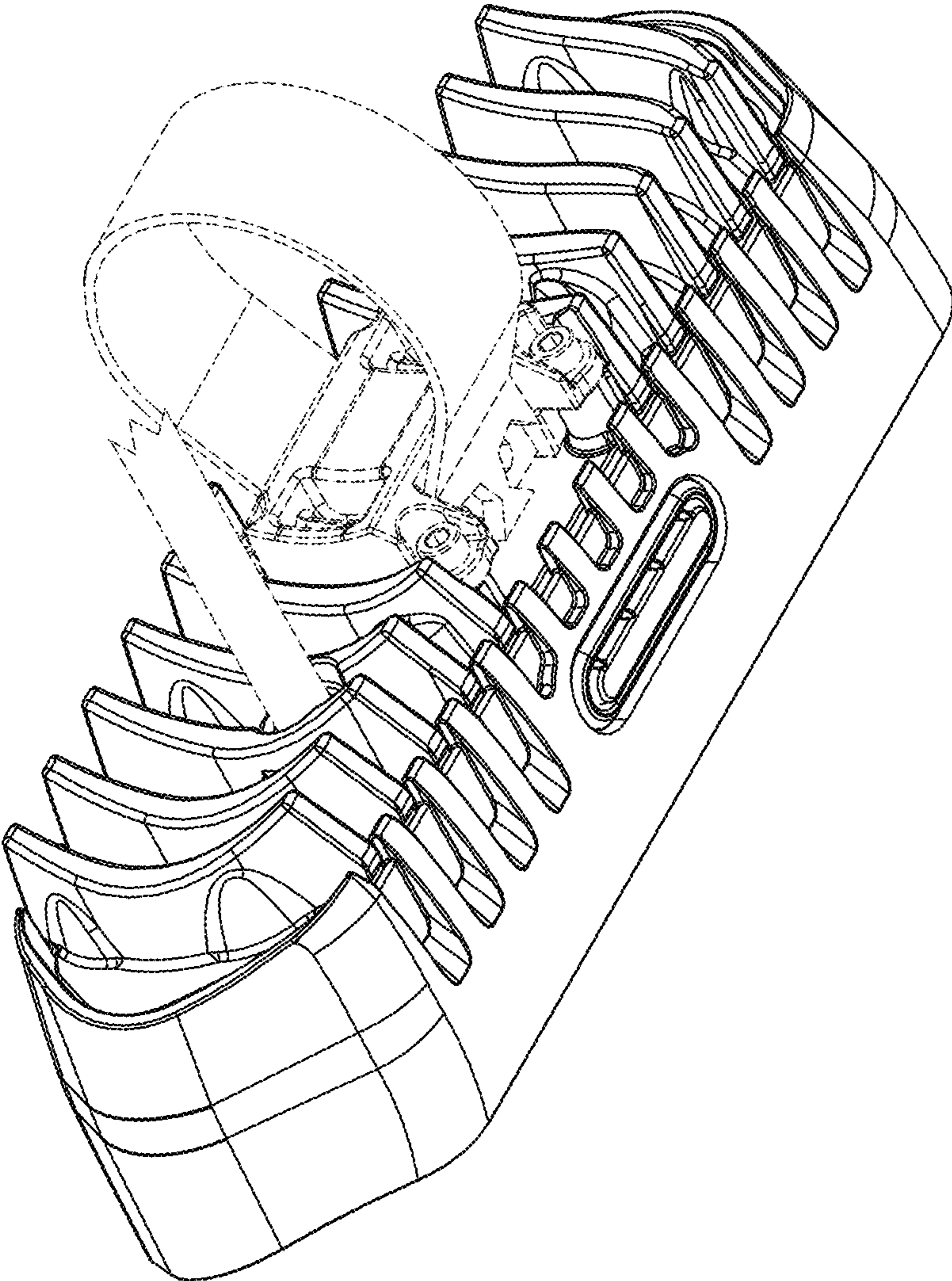


FIG. 7



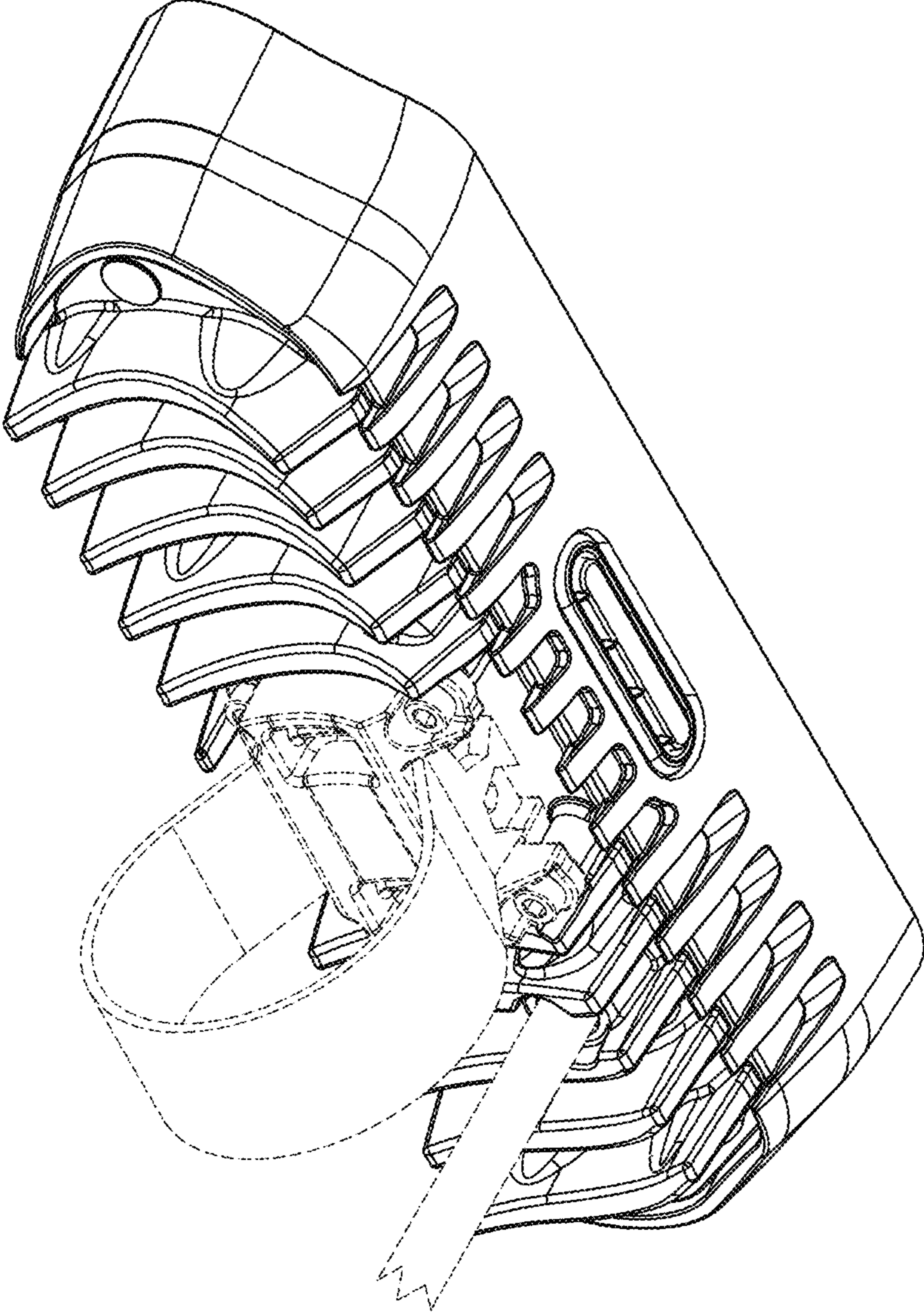


FIG. 8

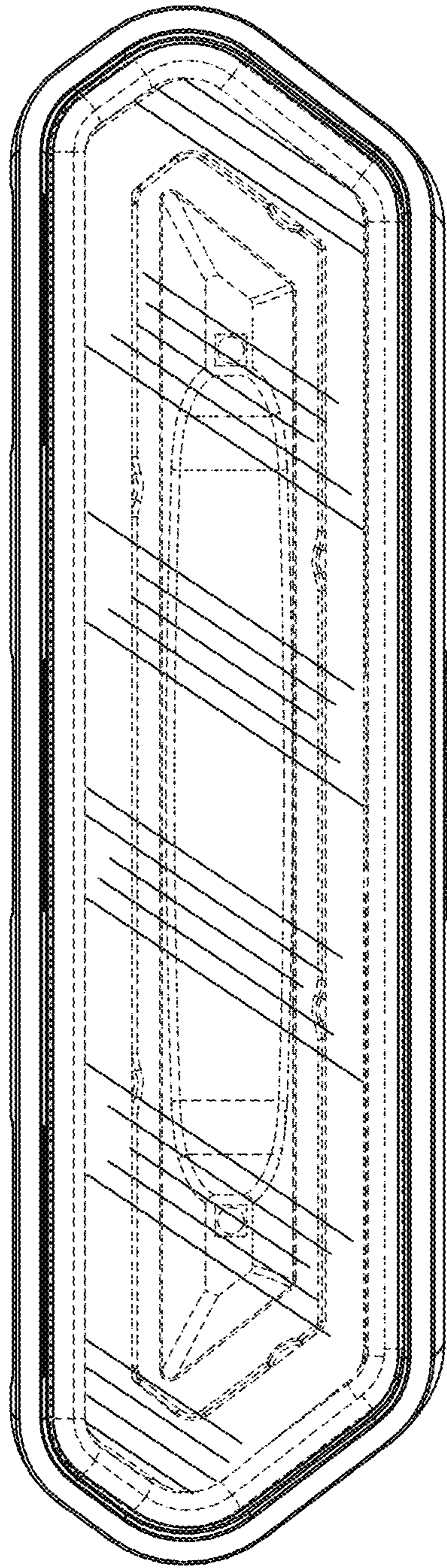


FIG. 9

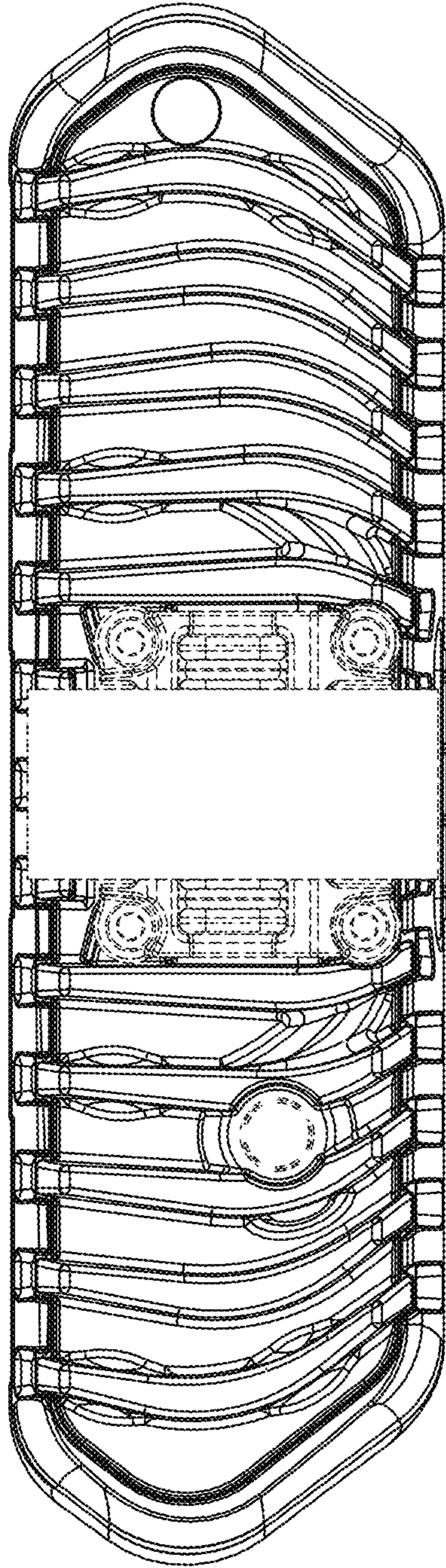


FIG. 10

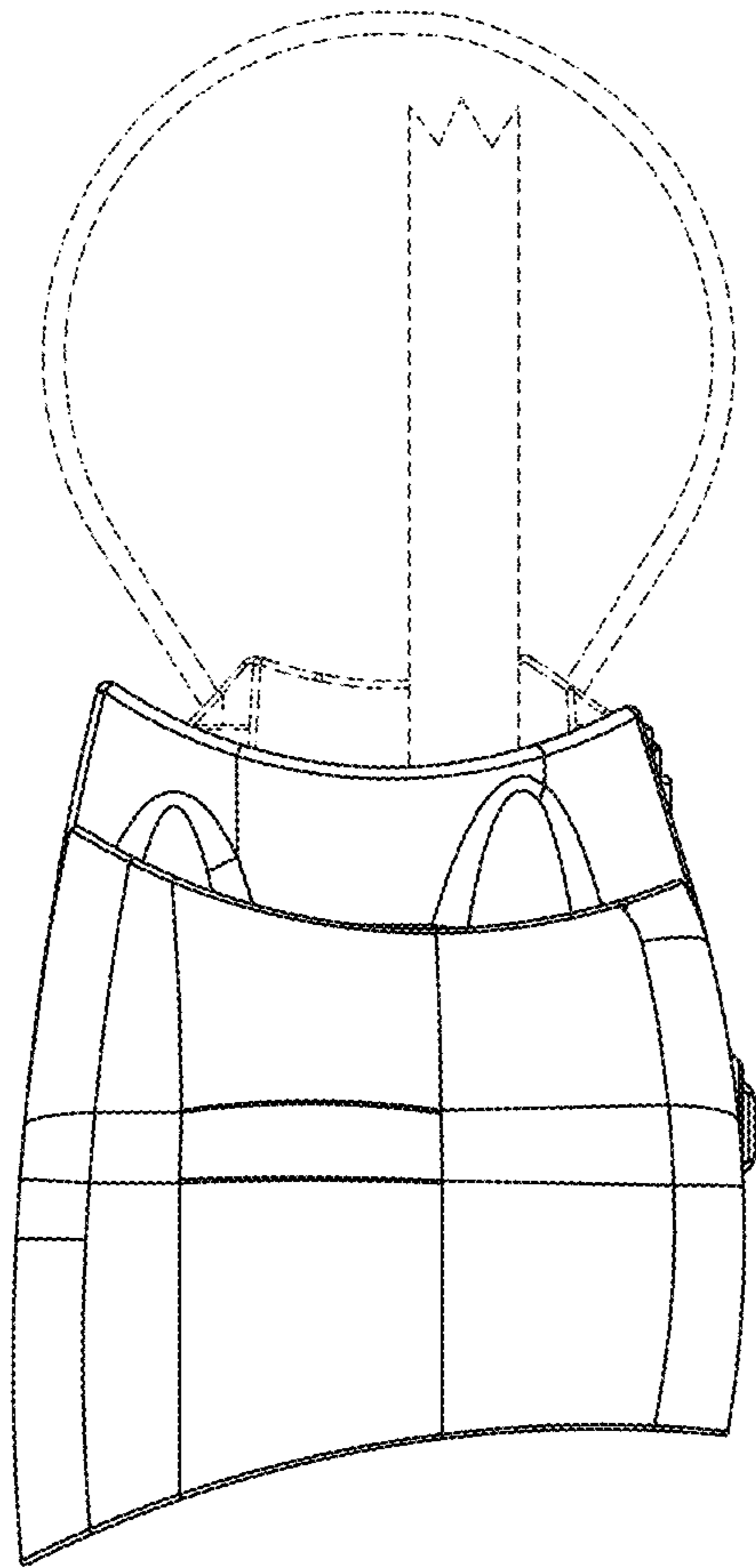


FIG. 11

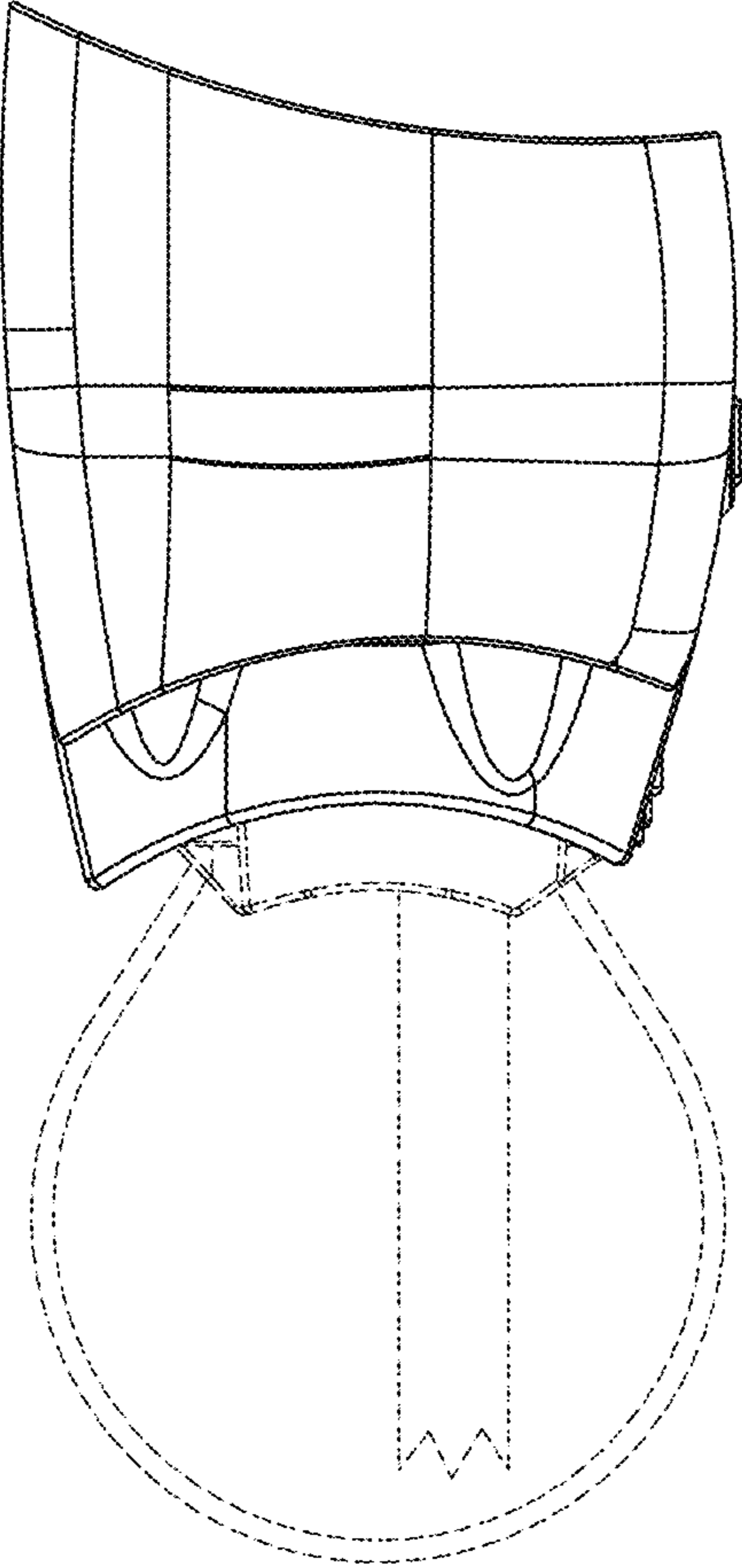


FIG. 12

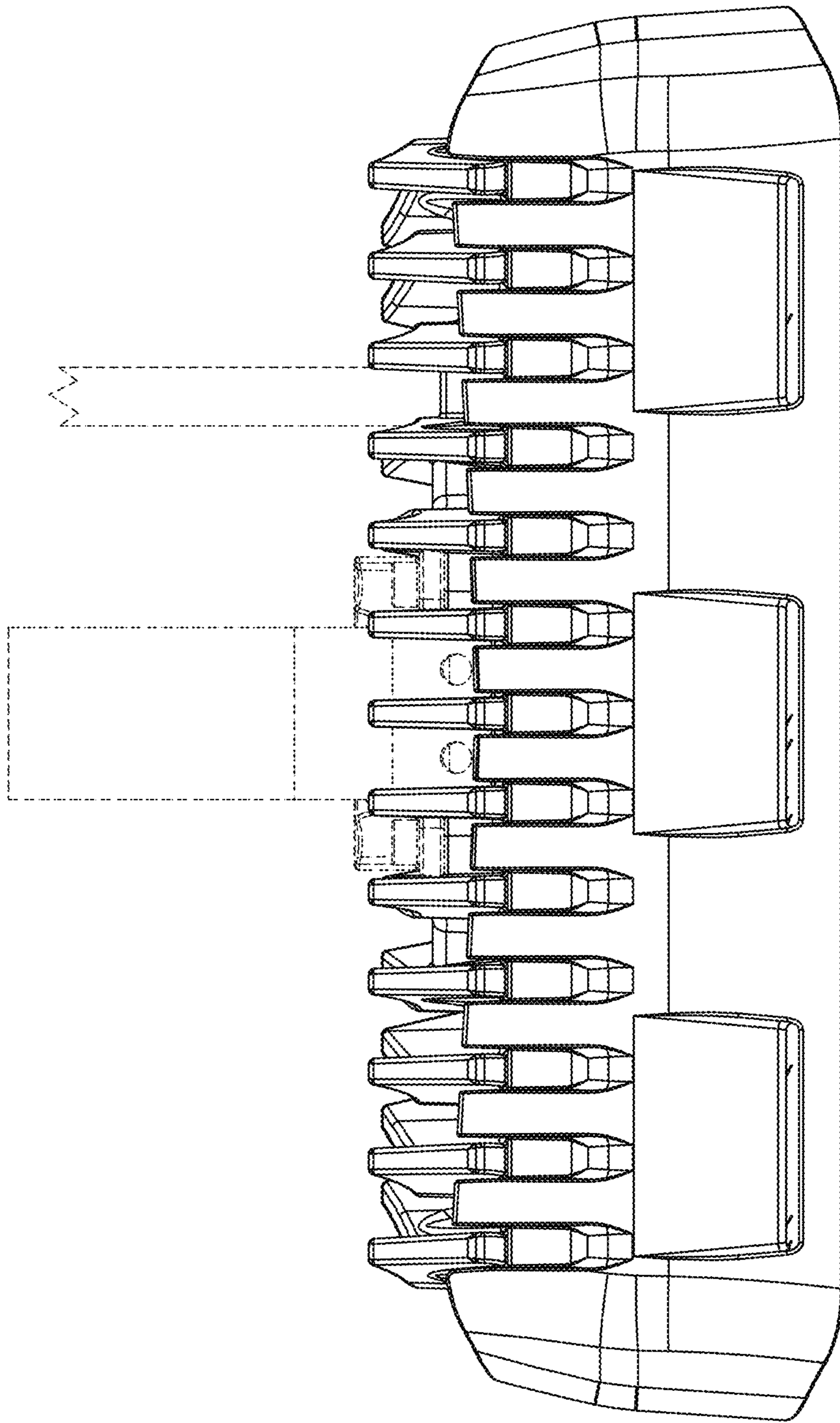


FIG. 13

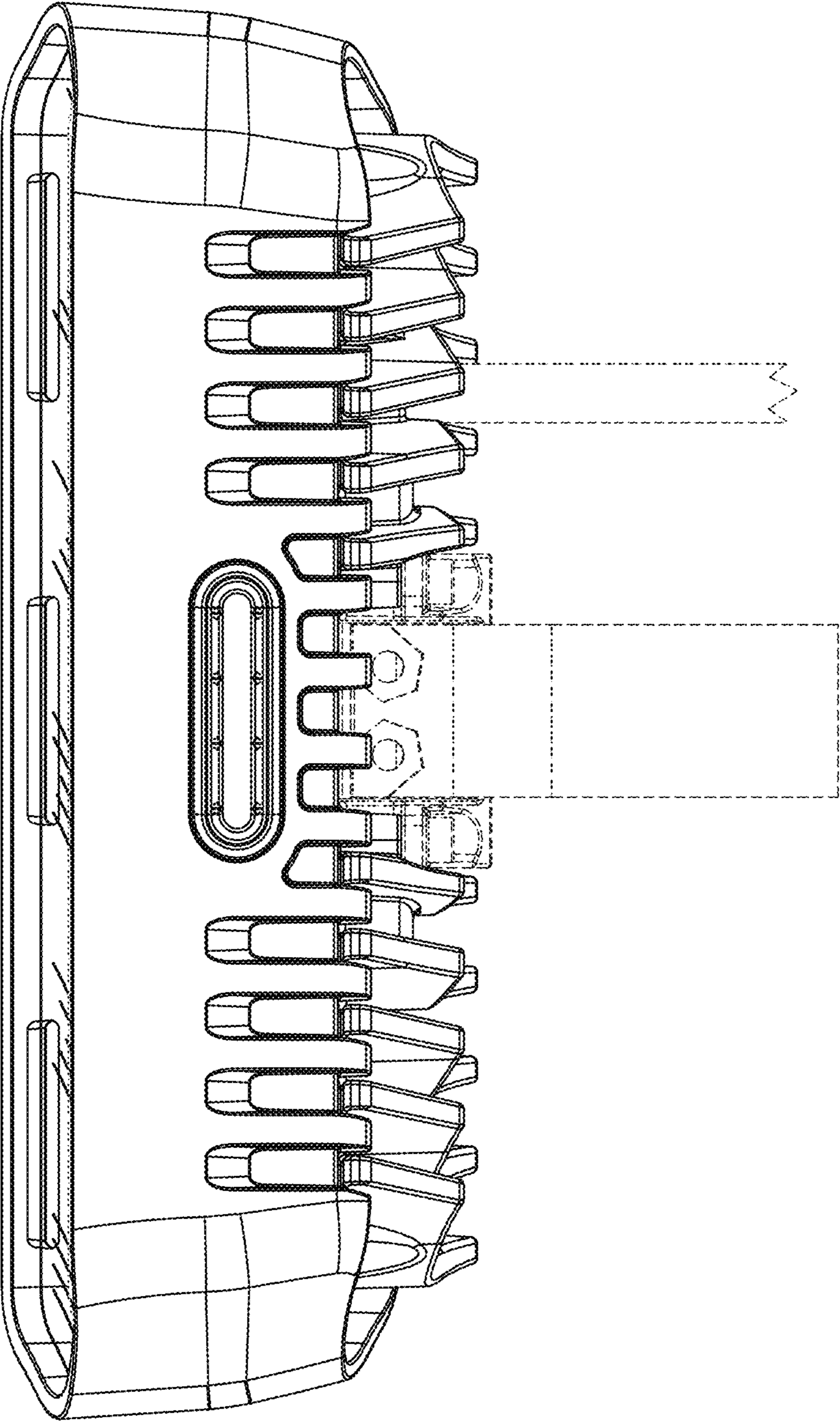


FIG. 14