

US00D810327S

(12) **United States Design Patent**
Roth

(10) **Patent No.:** **US D810,327 S**

(45) **Date of Patent:** **** Feb. 13, 2018**

(54) **BOTTLE CAP CANDLE**

(71) Applicant: **Ian Maxwell Roth**, Madison, CT (US)

(72) Inventor: **Ian Maxwell Roth**, Madison, CT (US)

(**) Term: **15 Years**

(21) Appl. No.: **29/527,579**

(22) Filed: **May 20, 2015**

(51) **LOC (11) Cl.** **26-01**

(52) **U.S. Cl.**
USPC **D26/7**

(58) **Field of Classification Search**
USPC D26/6-10, 16, 20, 22, 23; D23/362, 366,
D23/367; D20/29, 37; D9/451
CPC F21V 35/00; F21V 37/0095; B65D 41/12;
B65D 41/42; C11C 5/008; C11C 5/006;
A61L 9/12

See application file for complete search history.

(56) **References Cited**

U.S. PATENT DOCUMENTS

D130,737 S	*	12/1941	Balk	D26/7
D130,738 S	*	12/1941	Balk	D26/7
D243,912 S		4/1977	Daenen		
D248,162 S	*	6/1978	Cavanaugh	D13/100
D256,844 S		9/1980	Conn		
D279,803 S	*	7/1985	Manning	D21/443
D298,147 S	*	10/1988	Tesla	D21/443
D365,694 S	*	1/1996	Liisberg	D6/358
D386,326 S	*	11/1997	Kreuzer	D6/688
D394,513 S		5/1998	Davis		
5,879,151 A	*	3/1999	Schultz	B65D 51/26 215/320
D415,295 S		10/1999	Kochis et al.		

D442,710 S	*	5/2001	Pappas	D26/7
D462,506 S	*	9/2002	Davison, III	D2/869
D467,363 S		12/2002	West		
D467,612 S	*	12/2002	Shamitoff	D19/137
D469,318 S	*	1/2003	Lam	D7/625
D496,474 S		9/2004	Murdick		
D548,016 S	*	8/2007	Jackson	D7/625
D585,202 S	*	1/2009	Curtis	D6/351
D664,687 S		7/2012	Inana et al.		
D670,166 S	*	11/2012	Lavender	D9/452
D672,891 S		12/2012	McLaren		
D690,201 S	*	9/2013	Klebeck	D9/439
D713,157 S	*	9/2014	Carrier	D6/349
2017/0029172 A9	*	2/2017	Frishman	B65D 41/42

* cited by examiner

Primary Examiner — Ian Simmons

Assistant Examiner — Keith Frank

(74) *Attorney, Agent, or Firm* — Dunlap Bennett & Ludwig PLLC

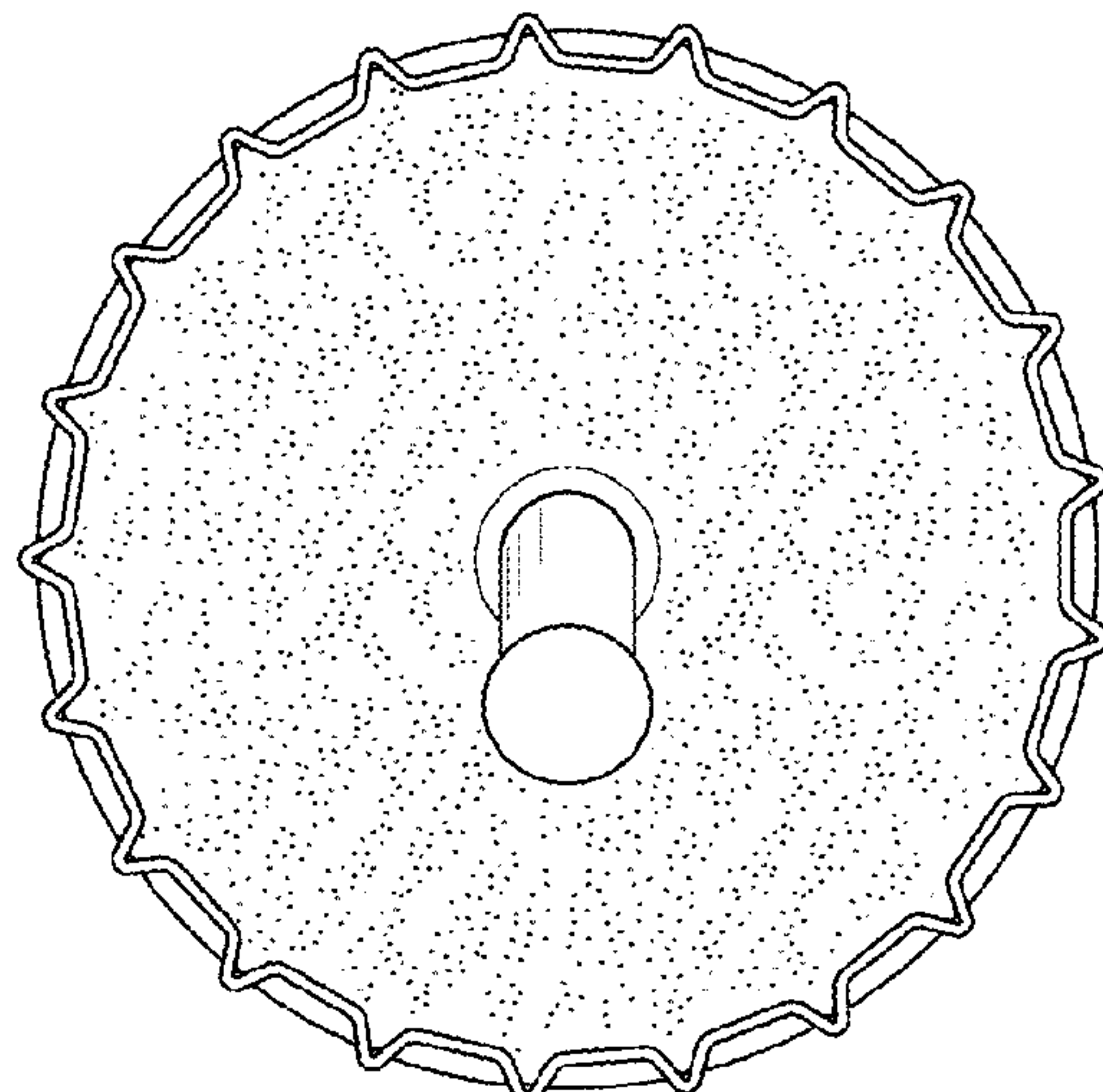
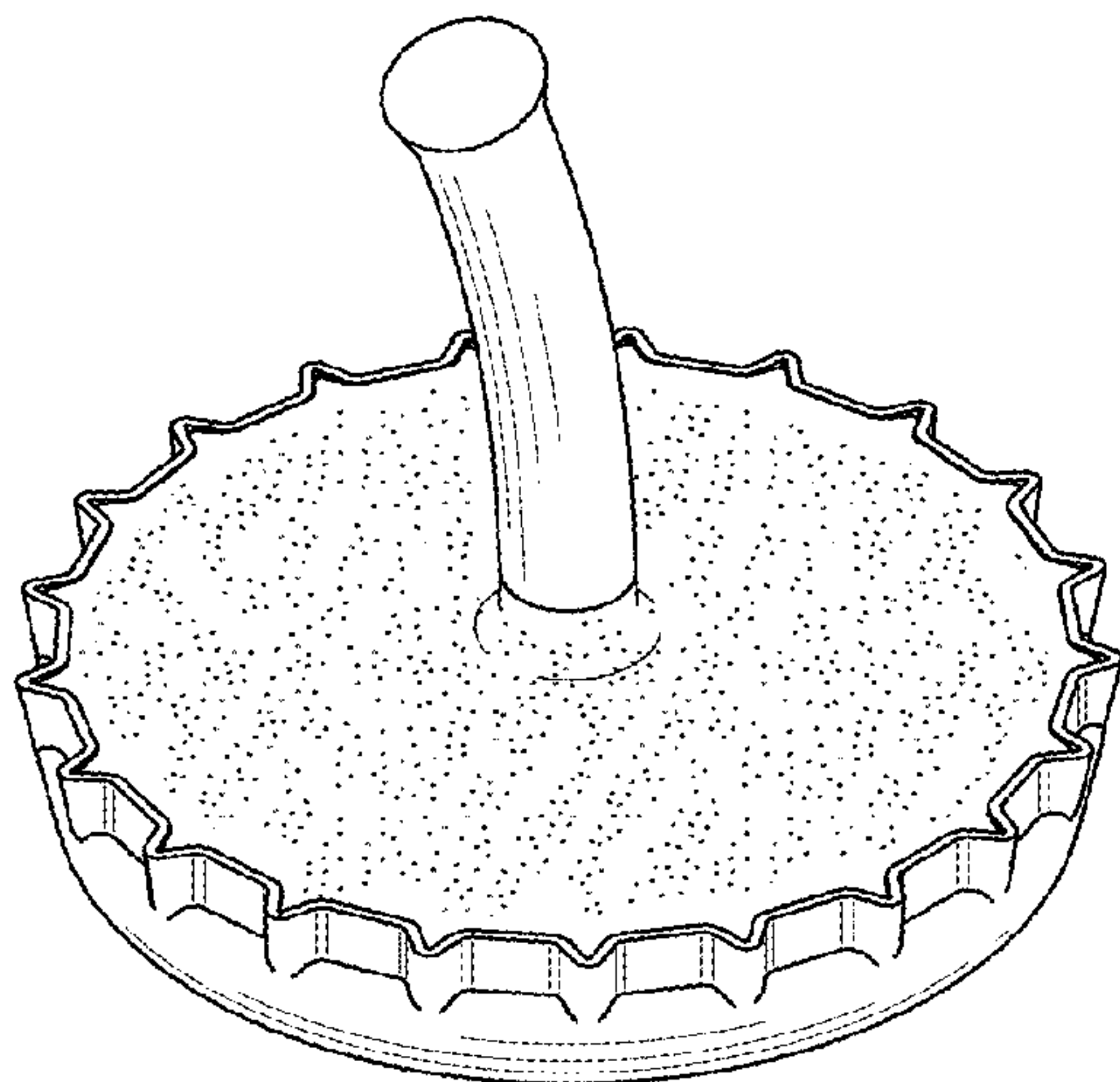
(57) **CLAIM**

The ornamental design for a bottle cap candle, as shown and described.

DESCRIPTION

FIG. 1 is a top front perspective view of a bottle cap candle; FIG. 2 is a front elevation view thereof; FIG. 3 is a rear elevation view thereof; FIG. 4 is a left side elevation view thereof; the right side view being a mirror image thereof; FIG. 5 is a top elevation view thereof; and, FIG. 6 is a cross section view thereof.

1 Claim, 3 Drawing Sheets



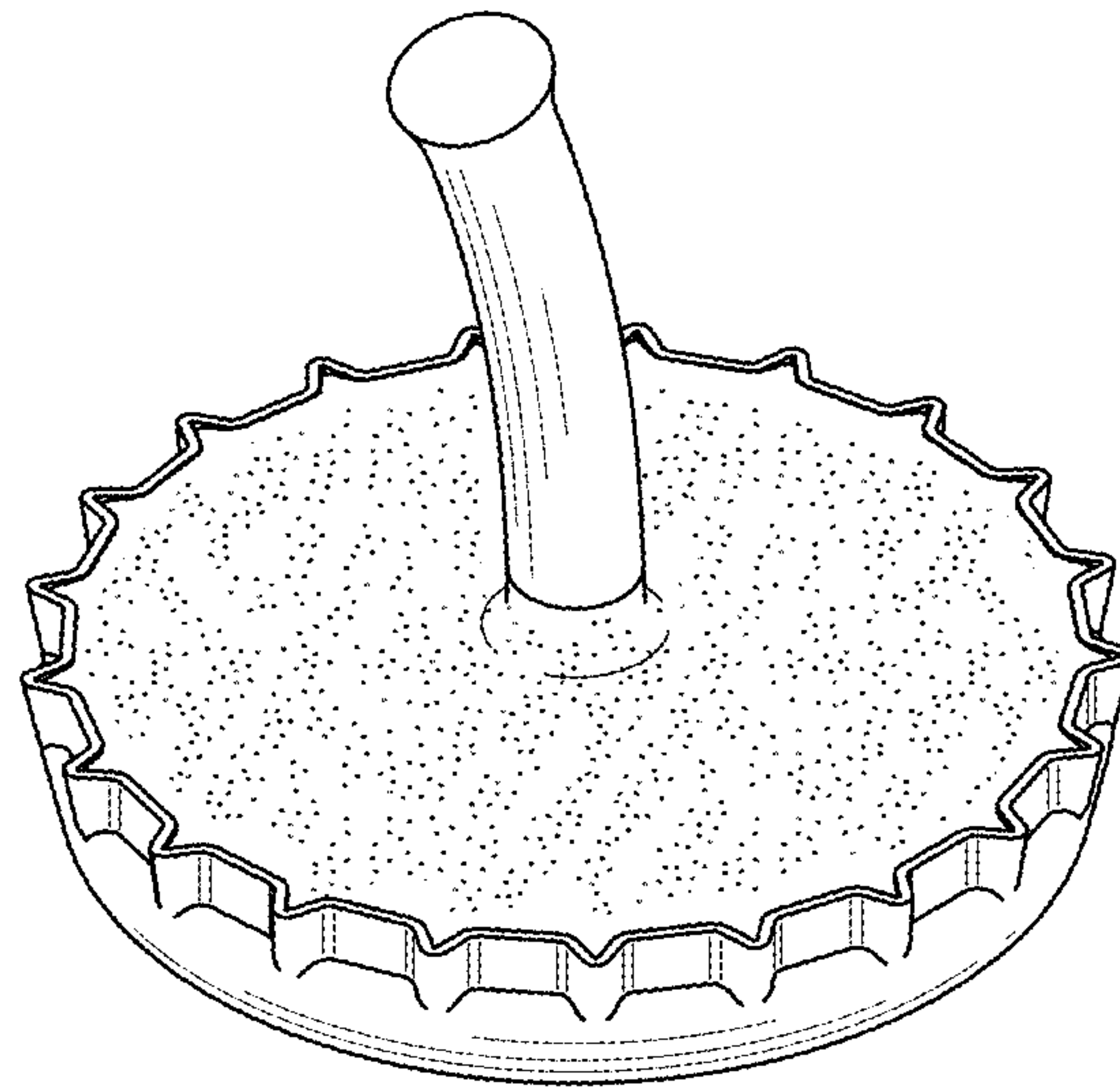


FIG. 1

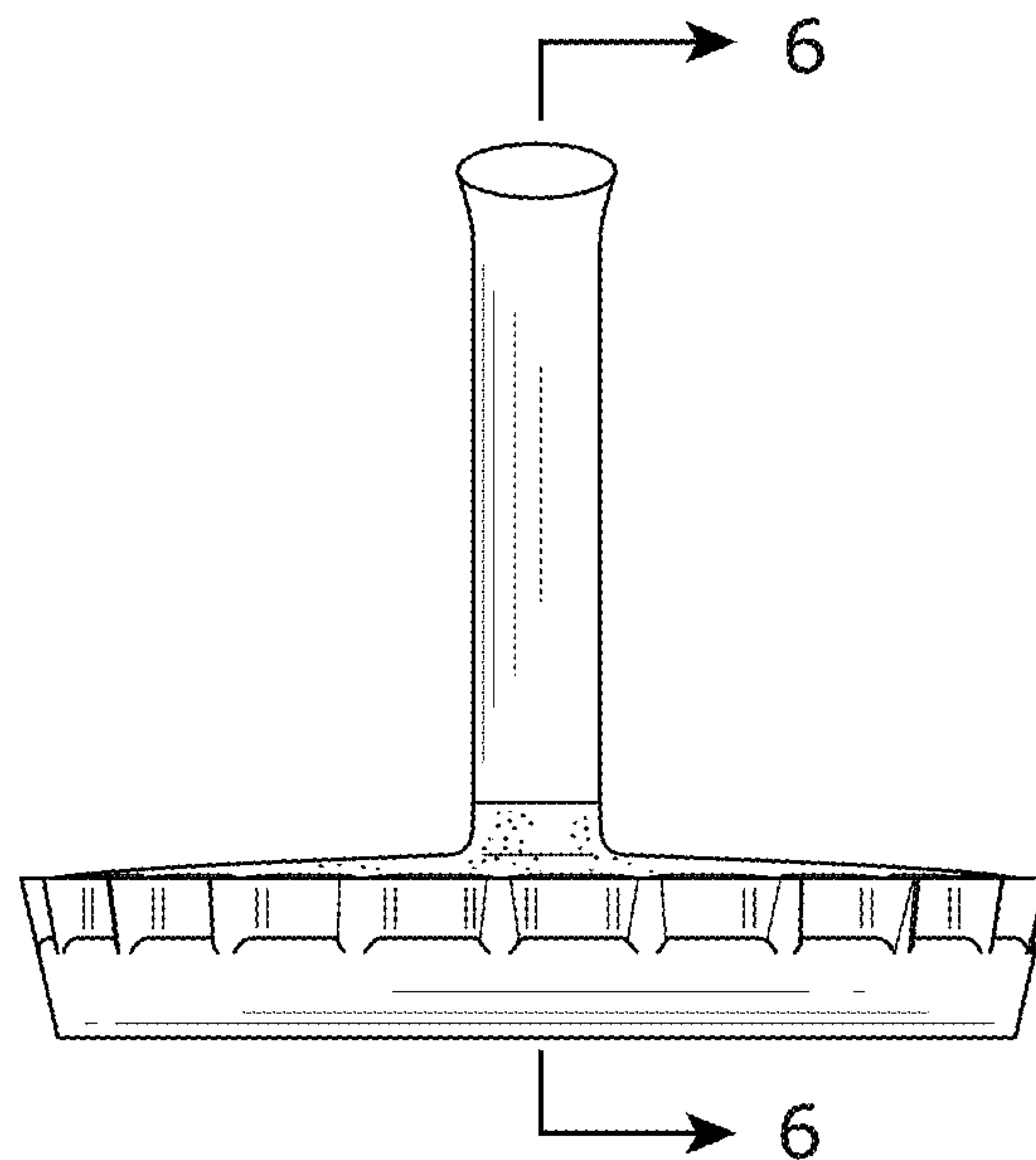


FIG. 2

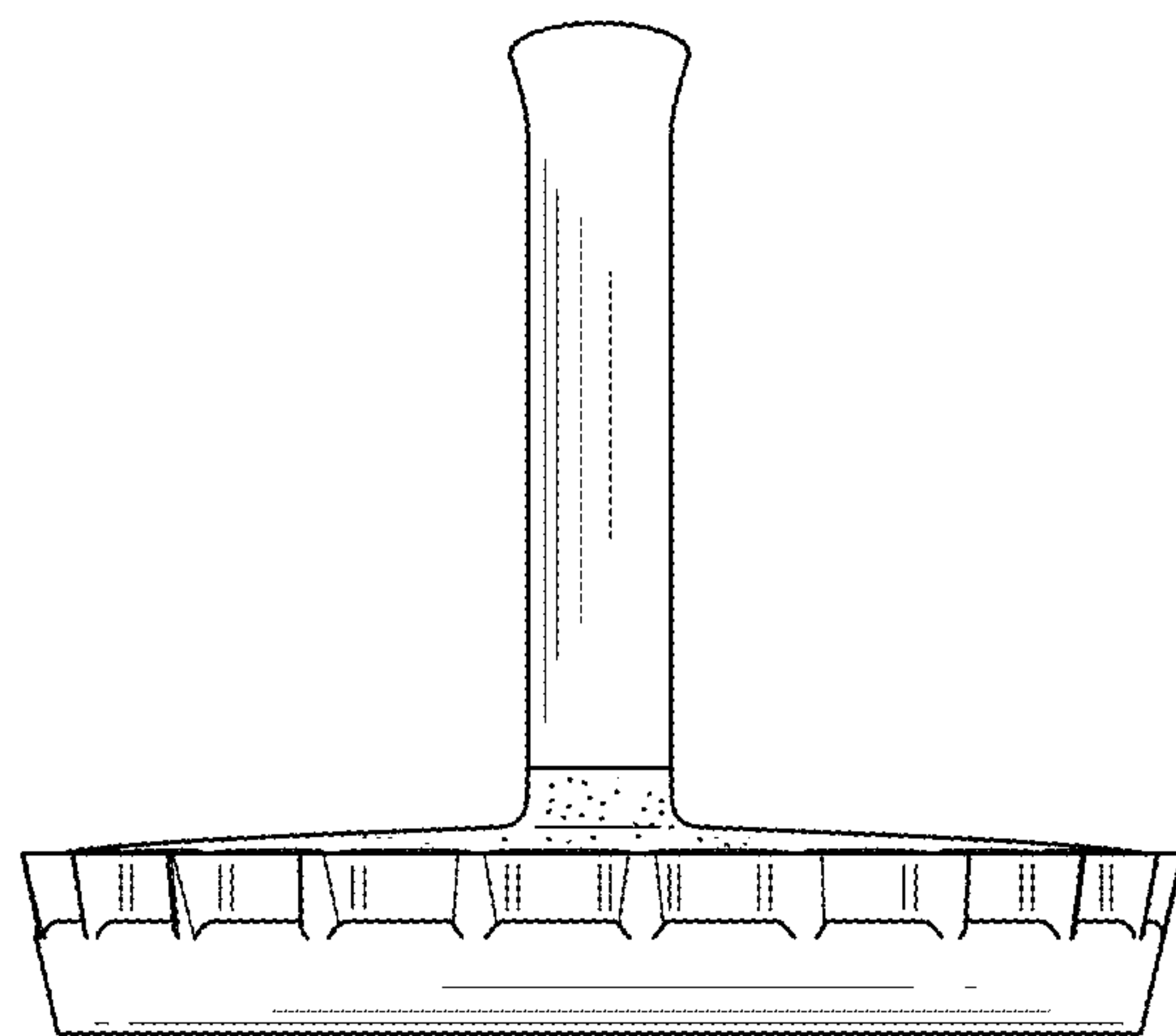


FIG. 3

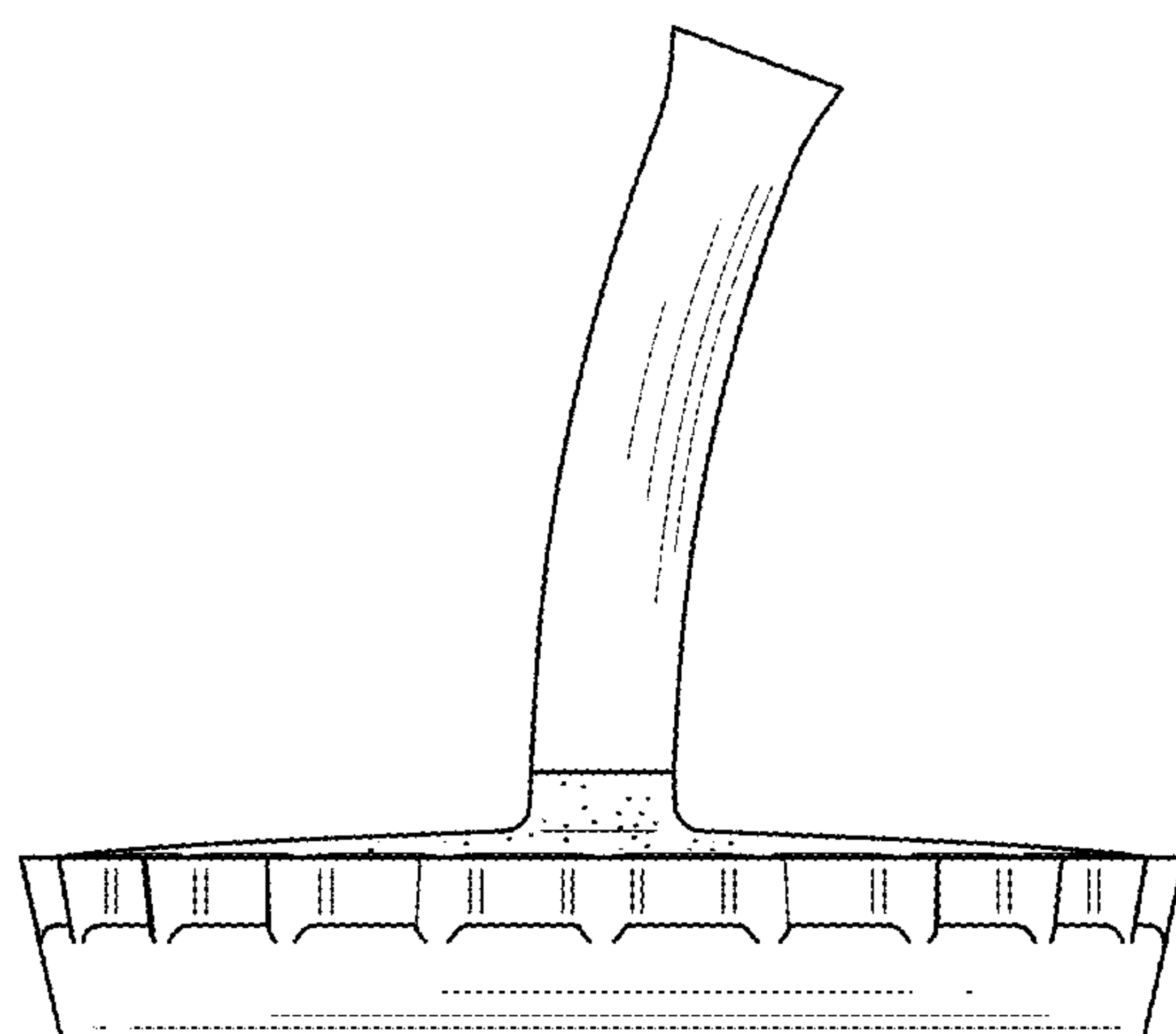


FIG. 4

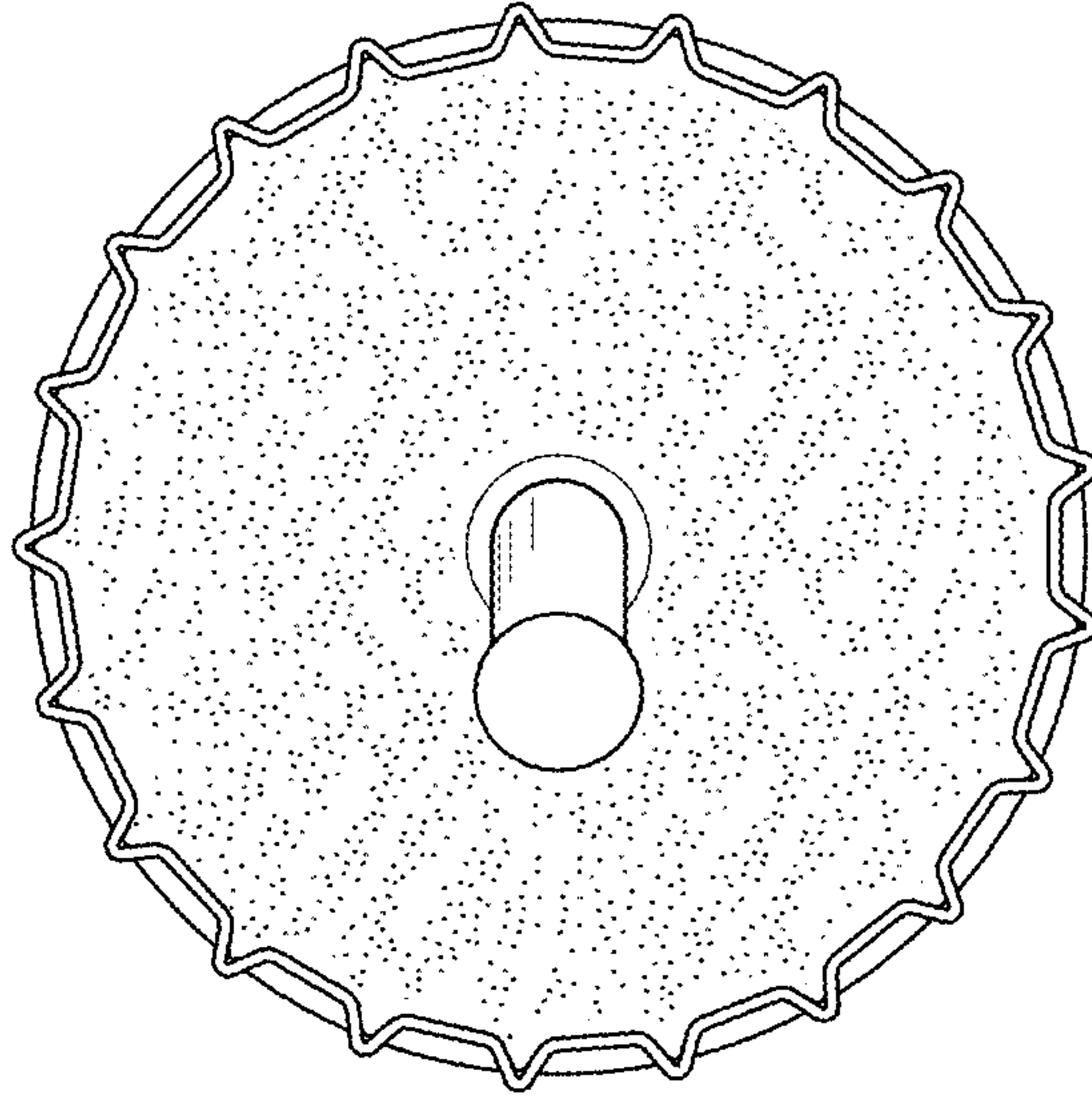


FIG. 5

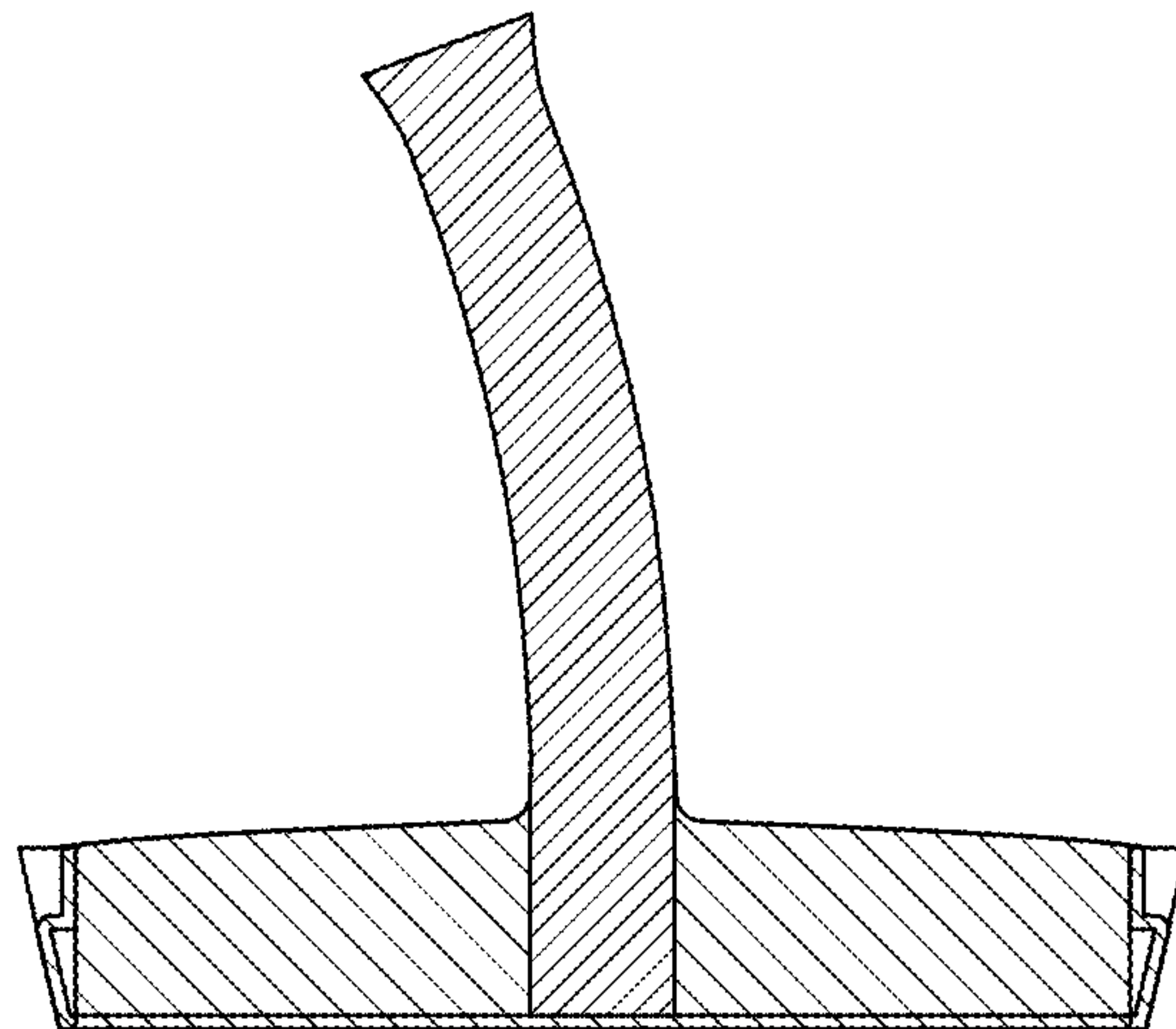


FIG. 6