



US00D810325S

(12) **United States Design Patent**
Guo

(10) **Patent No.:** **US D810,325 S**
(45) **Date of Patent:** **** Feb. 13, 2018**

(54) **DUSTPROOF CORN LIGHT**

D584,838 S * 1/2009 To D26/2
D646,802 S * 10/2011 Guohui D26/2
D695,426 S * 12/2013 Tu D26/2

(71) Applicant: **SHENZHEN SNC OPTO ELECTRONIC CO., LTD.**, Shenzhen (CN)

* cited by examiner

(72) Inventor: **Lei Qing Guo**, Shenzhen (CN)

Primary Examiner — Marcus Jackson

(**) Term: **15 Years**

(74) *Attorney, Agent, or Firm* — Prakash Nama; Global IP Services, PLLC

(21) Appl. No.: **29/590,998**

(22) Filed: **Jan. 16, 2017**

(57) **CLAIM**

(51) **LOC (11) Cl.** **26-04**

The ornamental design for a dustproof corn light, as shown and described.

(52) **U.S. Cl.**

USPC **D26/2**

(58) **Field of Classification Search**

DESCRIPTION

USPC D26/1-4; 313/313, 315, 316, 317, 318, 313/493; 315/52, 53, 56, 57, 58
CPC H01R 5/00; H01R 13/46; H01R 13/514; H01R 31/048; H01R 31/02; H01J 5/00; H01J 5/16; H01J 15/00; H01J 5/48; H01J 5/50; H01J 19/54; F21V 5/00

FIG. 1 is a front elevational view of a dustproof corn light showing my new design;
FIG. 2 is a rear elevational view thereof;
FIG. 3 is a left side view thereof;
FIG. 4 is a right side view thereof;
FIG. 5 is a top plan view thereof;
FIG. 6 is a bottom plan view thereof;
FIG. 7 is a first perspective view thereof; and,
FIG. 8 is a second perspective view thereof.

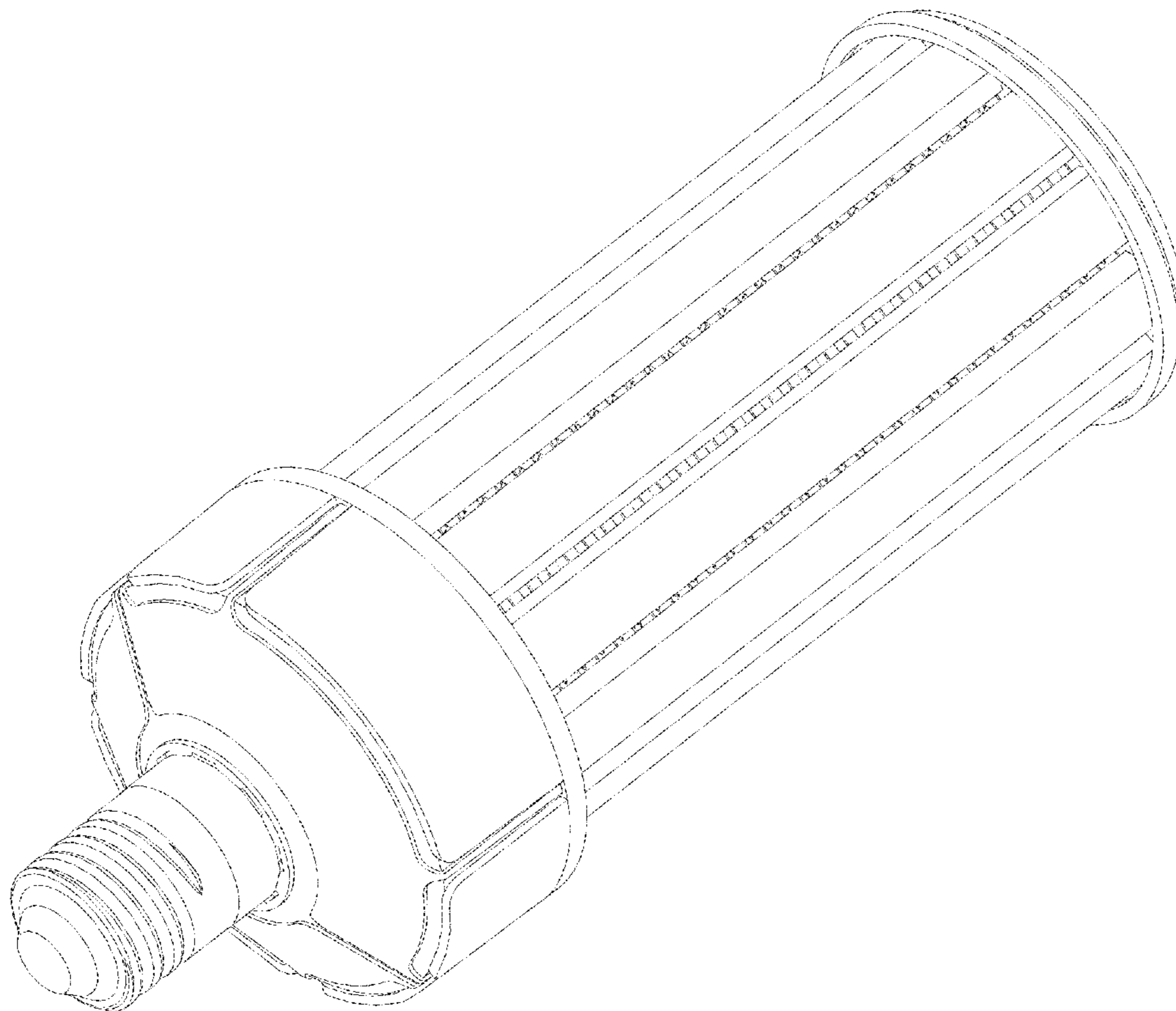
See application file for complete search history.

(56) **References Cited**

U.S. PATENT DOCUMENTS

D553,266 S * 10/2007 Maxik D26/2
D566,300 S * 4/2008 Lo D26/2

1 Claim, 7 Drawing Sheets



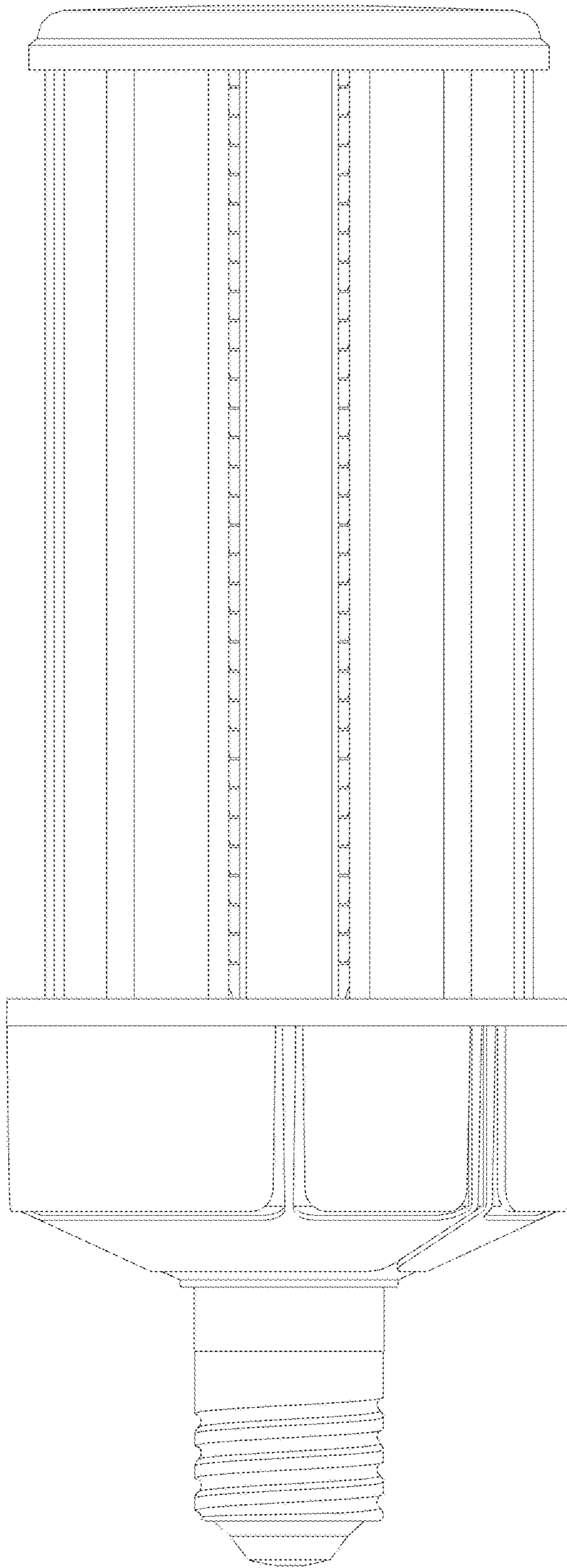


FIG. 1

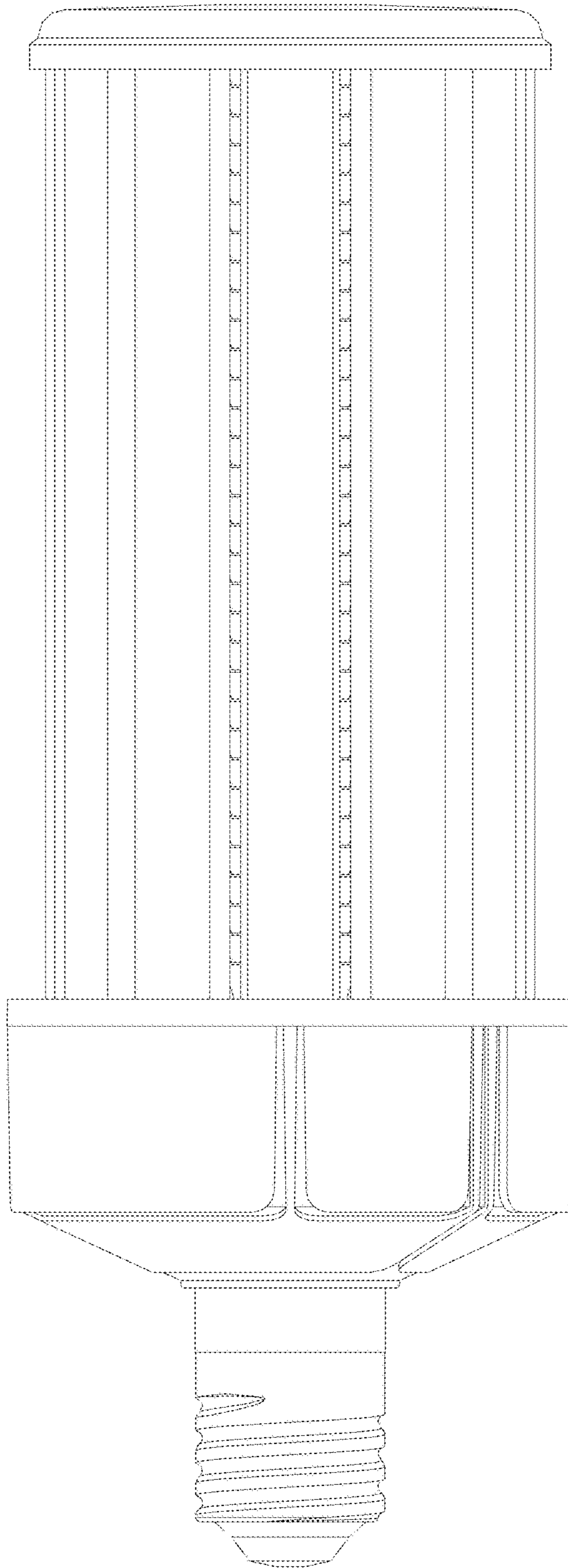


FIG. 2

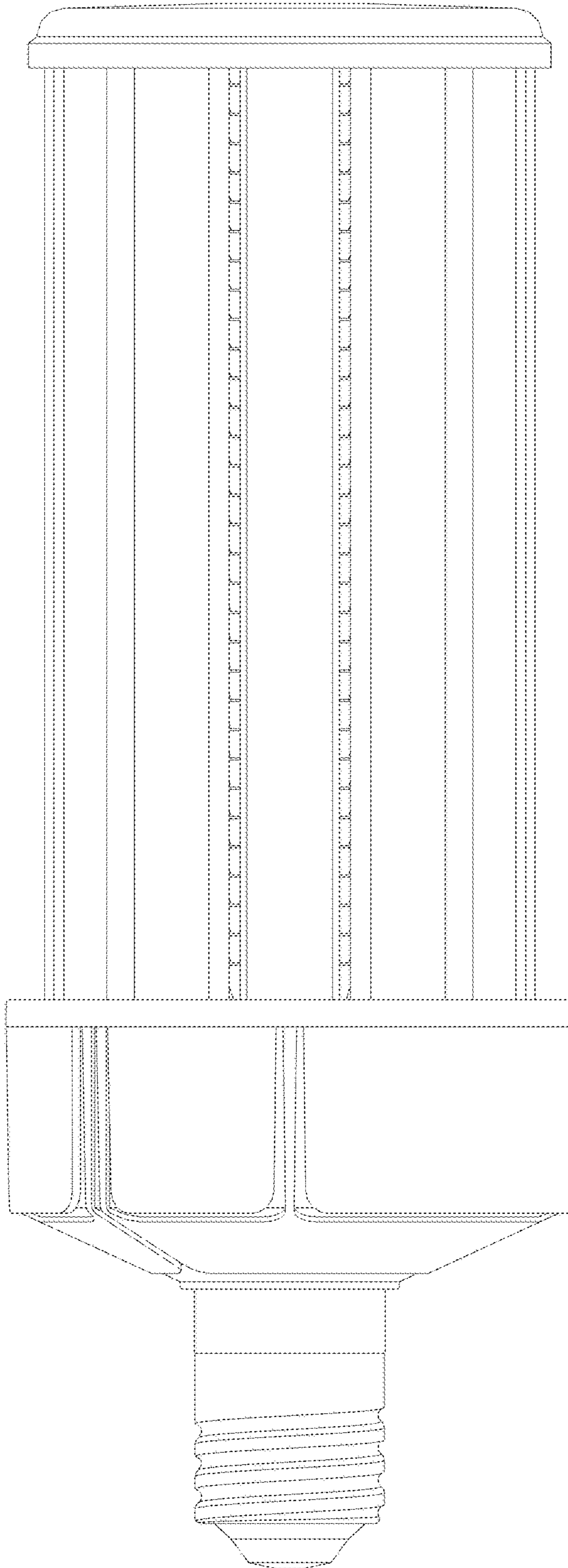


FIG. 3

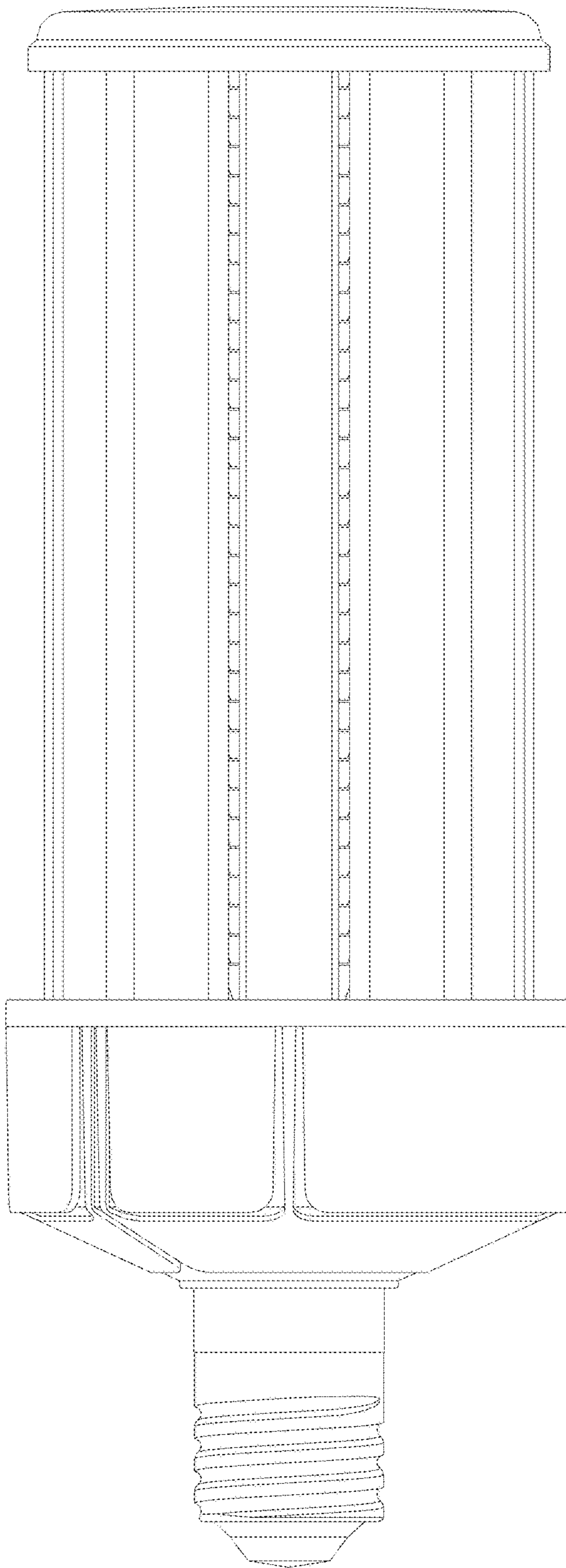


FIG. 4

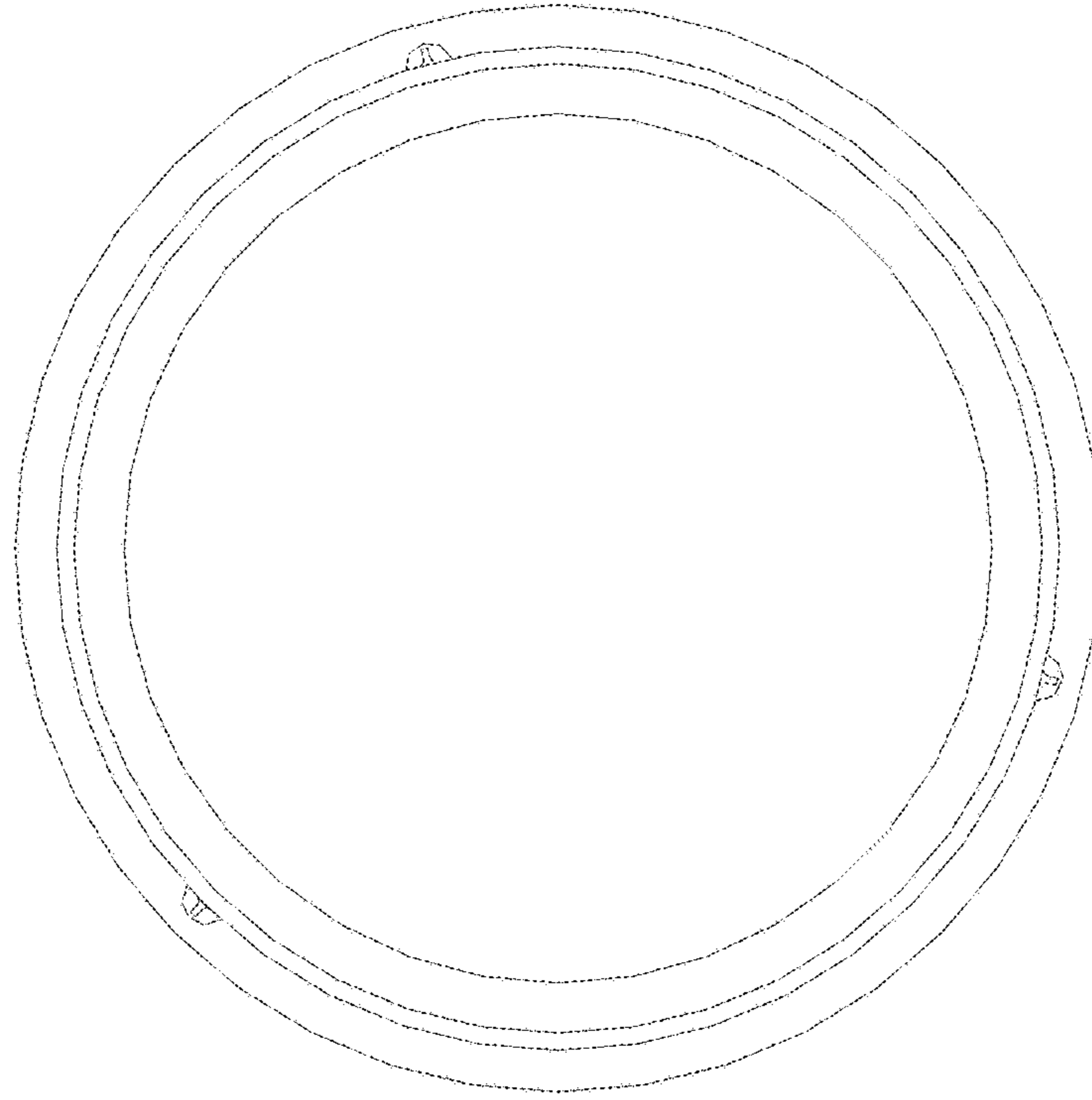


FIG. 5

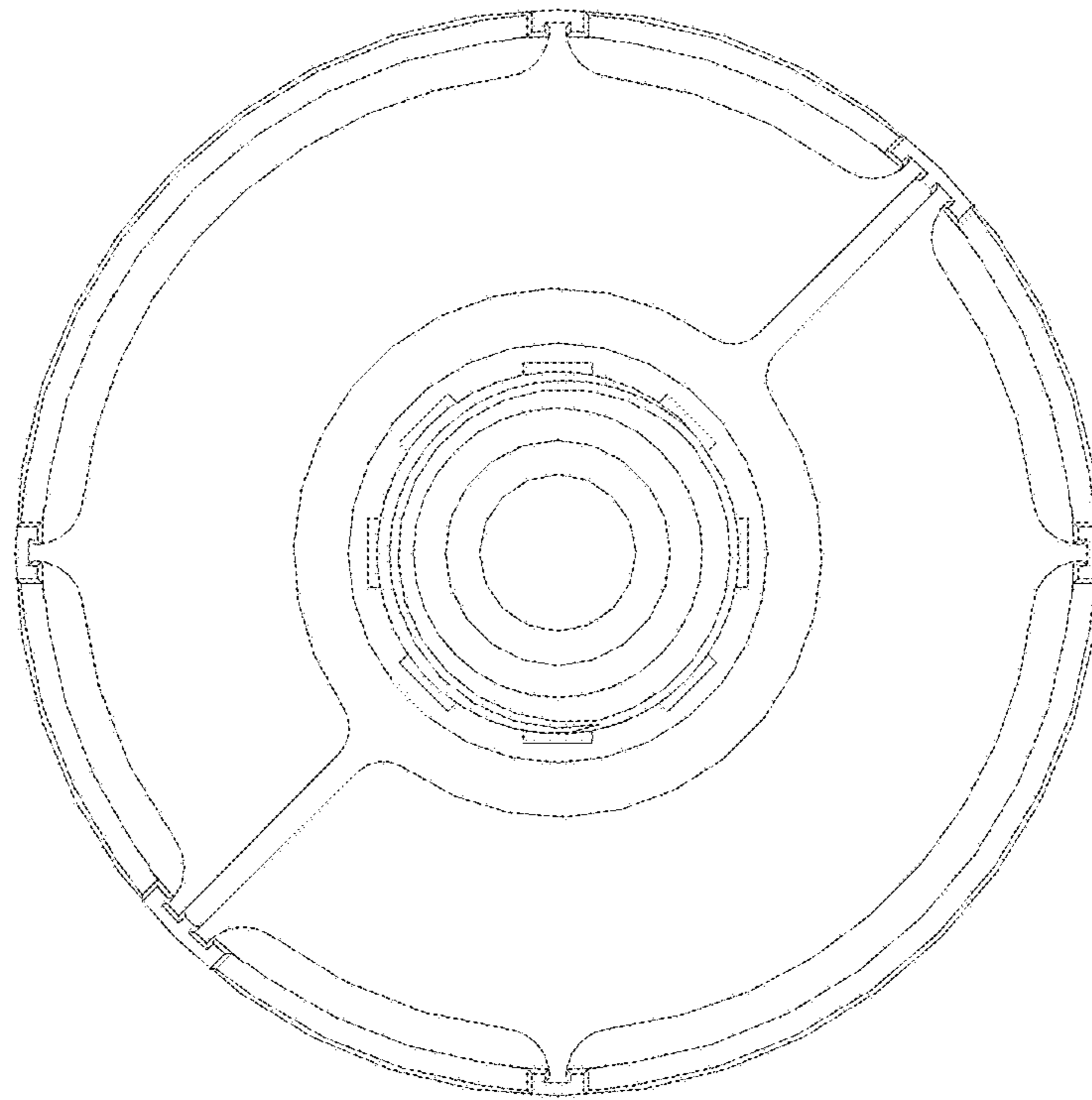


FIG. 6

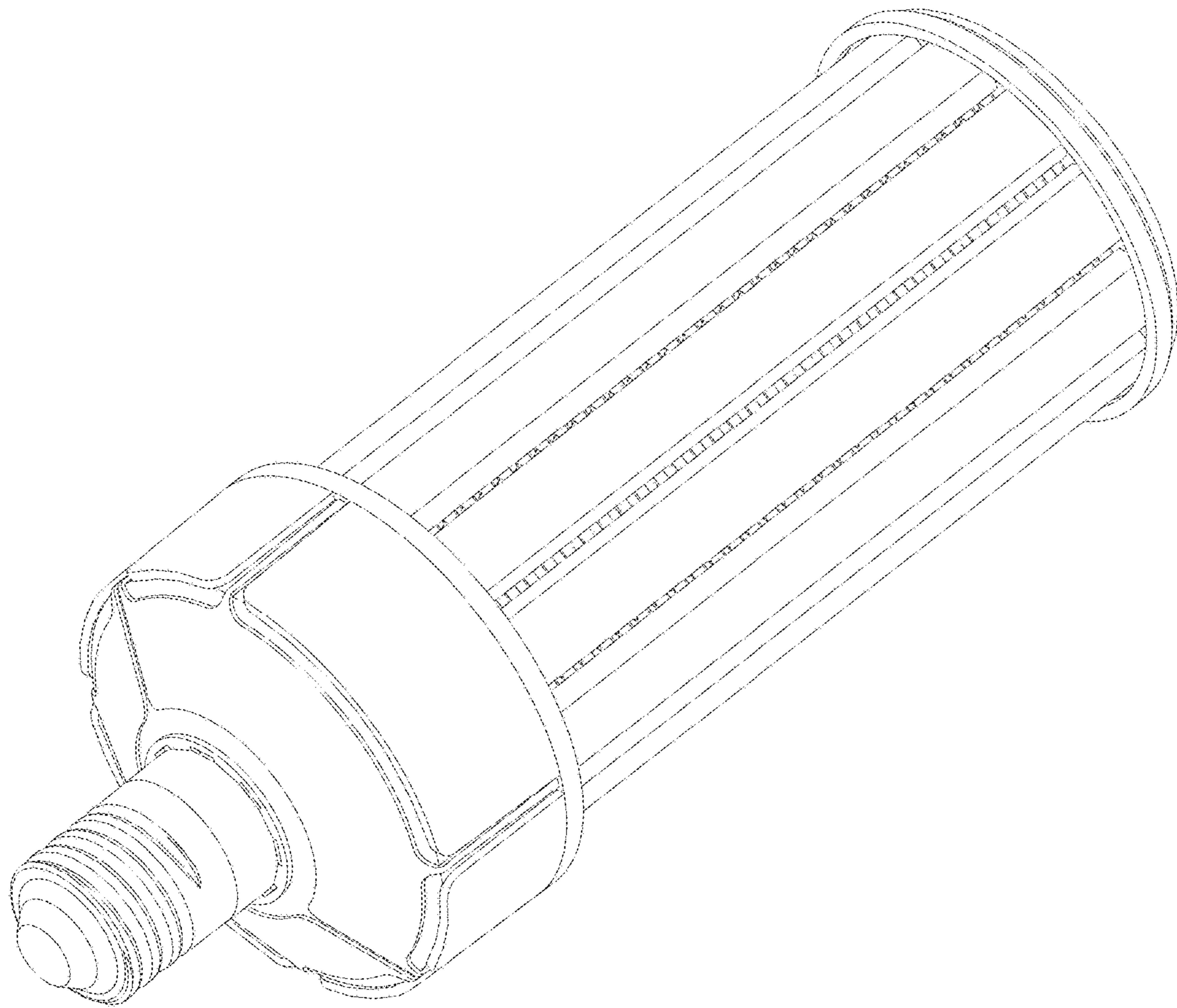


FIG. 7

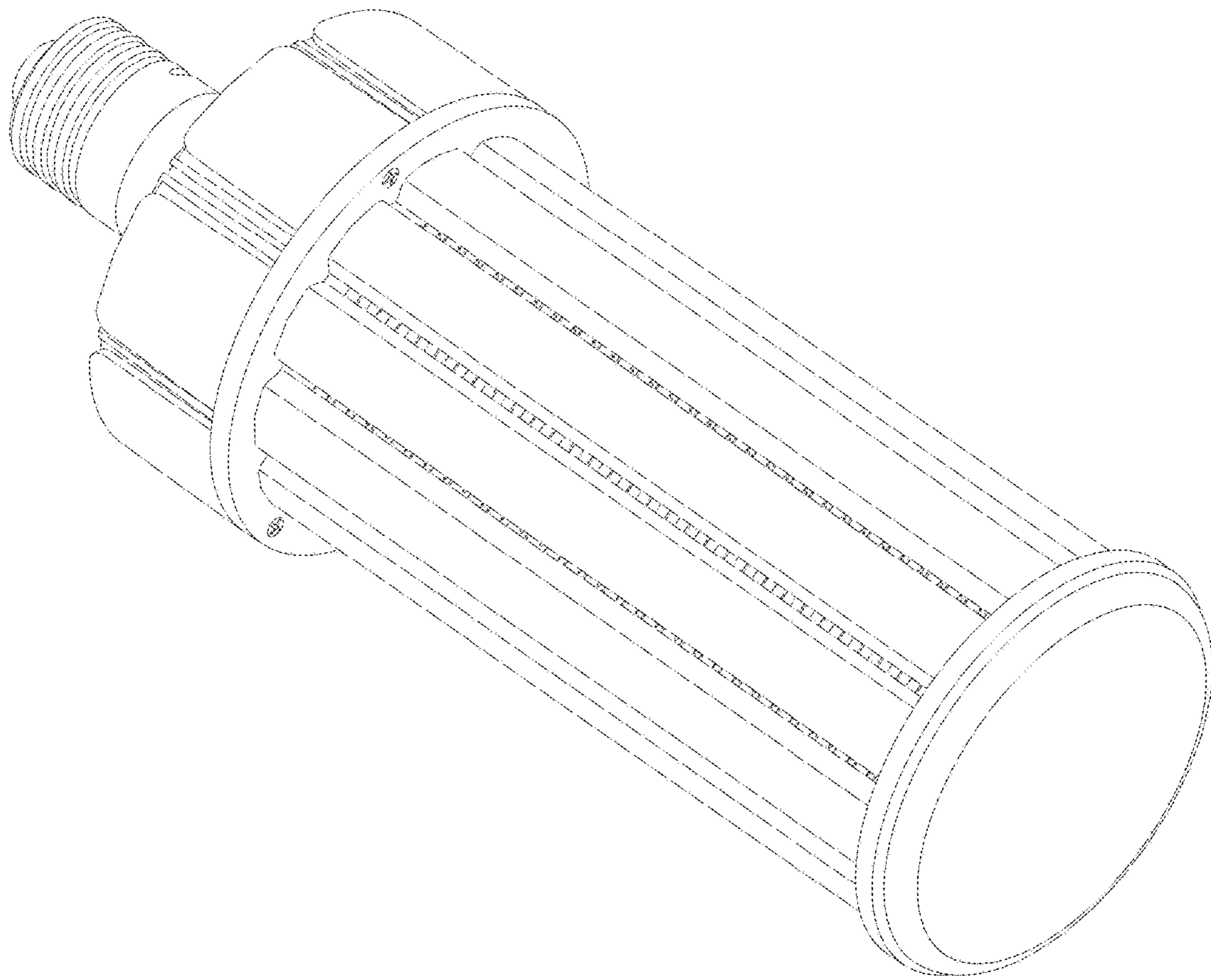


FIG. 8