



US00D810321S

(12) **United States Design Patent**
Heffernan

(10) **Patent No.:** **US D810,321 S**

(45) **Date of Patent:** **** Feb. 13, 2018**

(54) **WORKSTATION FOR SUPPORTING MATERIALS, EQUIPMENT, AND THE LIKE ON A LADDER**

D396,162 S	7/1998	Mutti	
D396,953 S	8/1998	Iversen et al.	
D396,955 S	8/1998	Iversen et al.	
D396,956 S	8/1998	Iversen et al.	
5,850,956 A *	12/1998	Hayward, Jr. A45F 5/00 108/43
D407,254 S	3/1999	Debooth	
D411,509 S	6/1999	Schlegel	
5,918,550 A *	7/1999	Weir A47B 5/06 108/152

(71) Applicant: **Heff Industries Inc.**, Longmont, CO (US)

(72) Inventor: **Matthew Paul Heffernan**, Estes Park, CO (US)

(73) Assignee: **Heff Industries Inc.**, Longmont, CO (US)

(**) Term: **15 Years**

(21) Appl. No.: **29/544,846**

(22) Filed: **Nov. 6, 2015**

(51) **LOC (11) Cl.** **25-04**

(52) **U.S. Cl.**
USPC **D25/68**

(58) **Field of Classification Search**
USPC D25/62-65, 68, 69; 182/115, 22, 156, 182/194, 95, 178.2, 207, 21, 225, 120; 108/42, 120, 122, 129, 218; D3/304, D3/313, 315; D6/512, 567; D7/549, 701
CPC ... E06C 1/12; E06C 7/00; E06C 1/381; E06C 1/14; E06C 1/28; E06C 1/383; E06C 7/14; E06C 1/393; E06C 1/39; E06C 7/188; B60R 3/02; B60R 3/007
See application file for complete search history.

(56) **References Cited**

U.S. PATENT DOCUMENTS

3,807,319 A	4/1974	Stanson, Jr.
D279,384 S	6/1985	Evenson
D280,669 S	9/1985	Hammeke
D289,247 S	4/1987	Wang
D299,687 S	2/1989	Handler et al.
D306,365 S	2/1990	Brown et al.
D309,687 S	8/1990	Embree et al.
D352,202 S	11/1994	Campbell et al.
D378,726 S	4/1997	Dunn

(Continued)

OTHER PUBLICATIONS

Heff Industries, 24" Big Mule Workstation, Jul. 26, 2016, <<https://heffindustries.com/store/#!/24-Big-Mule-Workstation/p/55583343/category=0>>.

Primary Examiner — Cynthia Ramirez

Assistant Examiner — Gino Colan

(74) *Attorney, Agent, or Firm* — Senniger Powers LLP

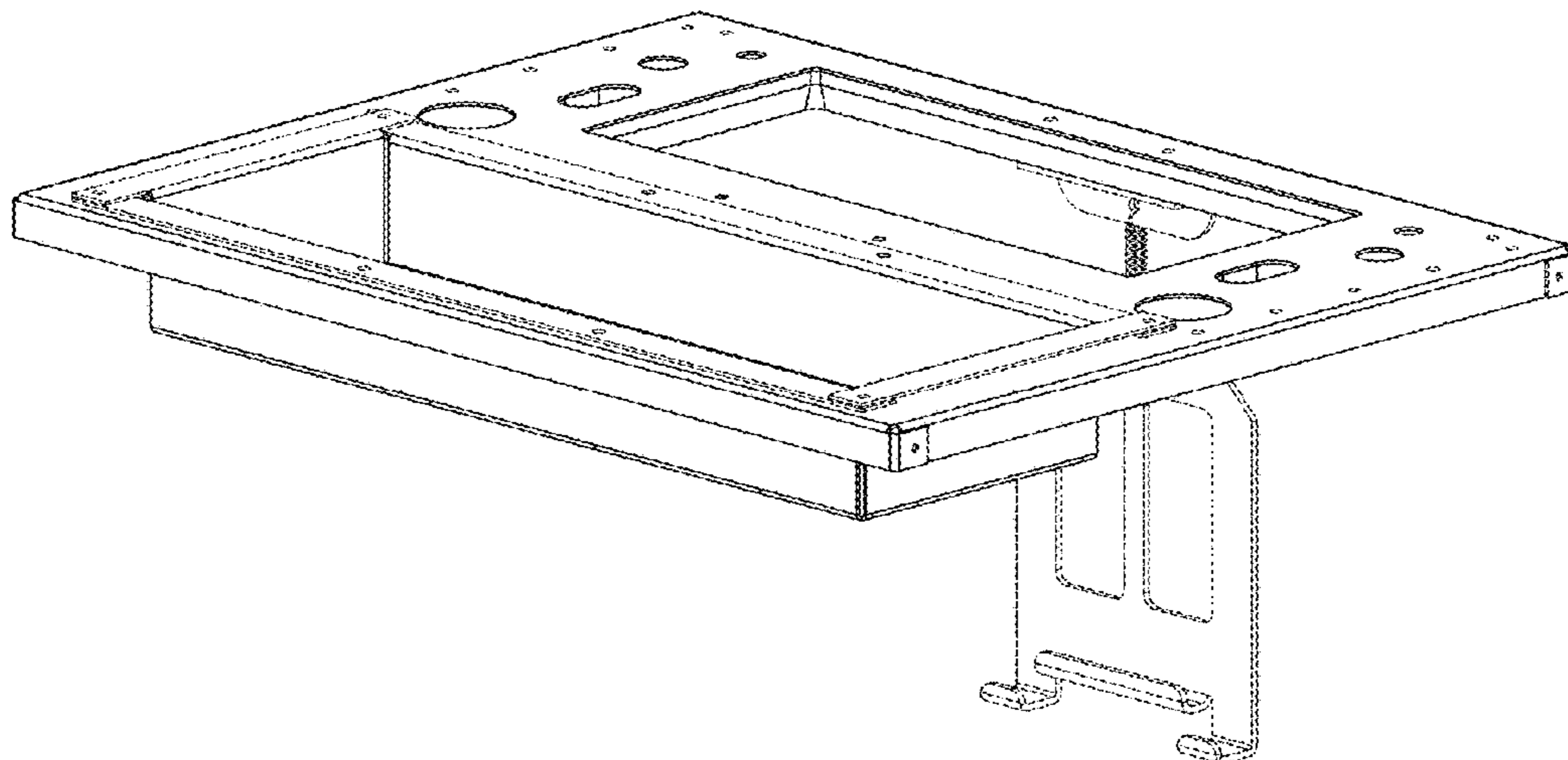
(57) **CLAIM**

The ornamental design for a workstation for supporting materials, equipment, and the like on a ladder, as shown and described.

DESCRIPTION

FIG. 1 is a top, front, and right side perspective view of a workstation for supporting materials, equipment, and the like on a ladder showing my new design; FIG. 2 is a front elevation view thereof; FIG. 3 is a right side elevation view thereof; FIG. 4 is a top plan view thereof; FIG. 5 is a rear elevation view thereof; FIG. 6 is a left side elevation view thereof; and, FIG. 7 is a bottom plan view thereof. The broken lines shown in the figures are for the purpose of illustrating portions of the workstation for supporting materials, equipment, and the like on a ladder and form no part of the claimed design.

1 Claim, 7 Drawing Sheets



(56)

References Cited

U.S. PATENT DOCUMENTS

5,941,344	A *	8/1999	Spadaro	E06C 7/14 182/129
6,474,244	B1	11/2002	Karpinski	
D484,701	S	1/2004	Fabregas	
6,842,922	B2	1/2005	Smeed	
D508,774	S	8/2005	McAndrew	
D510,481	S *	10/2005	Hodgson	D3/304
D554,474	S	11/2007	Miller	
D577,489	S	9/2008	Debowiecki	
D617,990	S	6/2010	Liao	
D685,110	S *	6/2013	Lusin	D25/68
D693,125	S	11/2013	Bell	
9,714,542	B1 *	7/2017	Harcz	E06C 7/14
D795,605	S *	8/2017	Heffernan	D6/512
2017/0089135	A1 *	3/2017	Heffernan	E06C 7/14

* cited by examiner

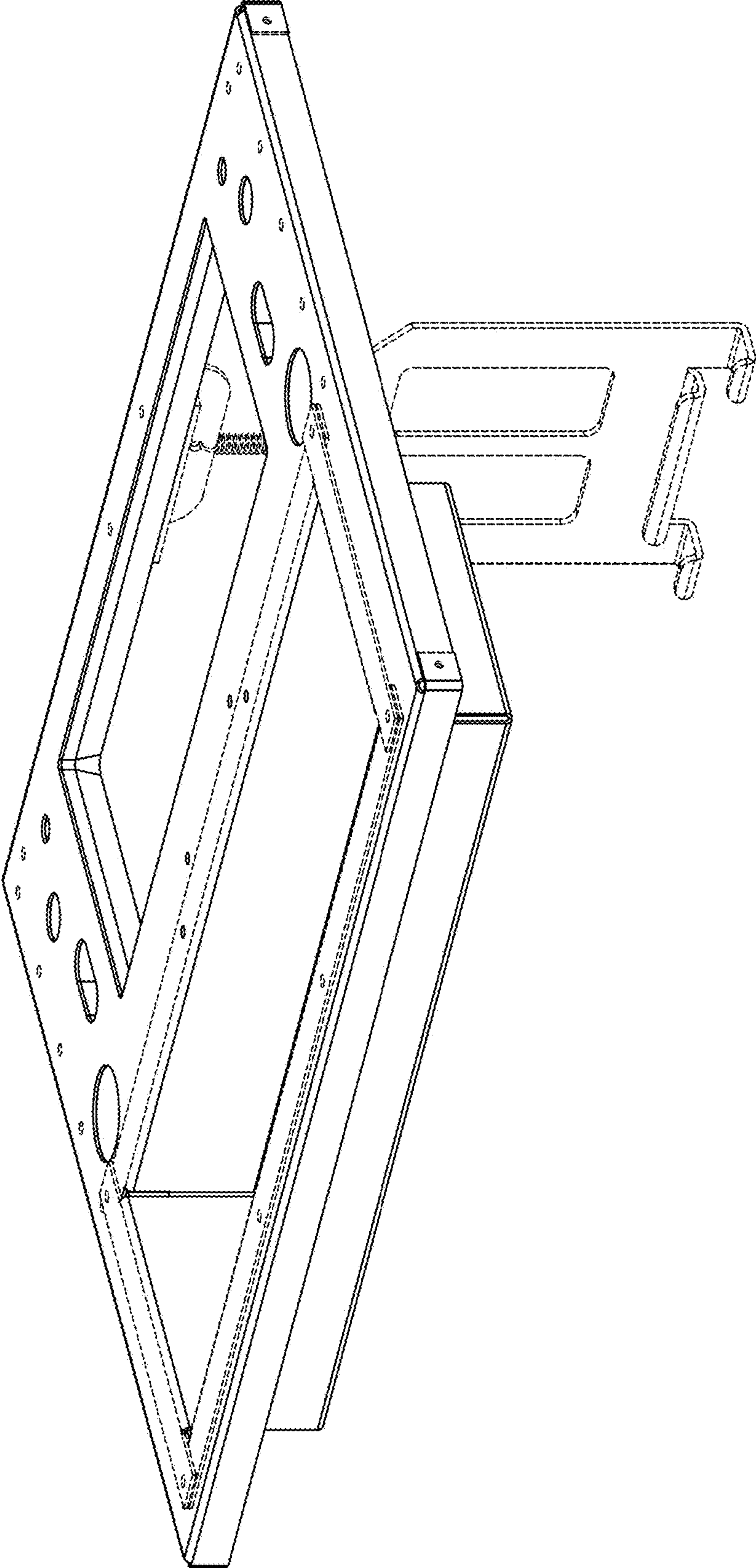
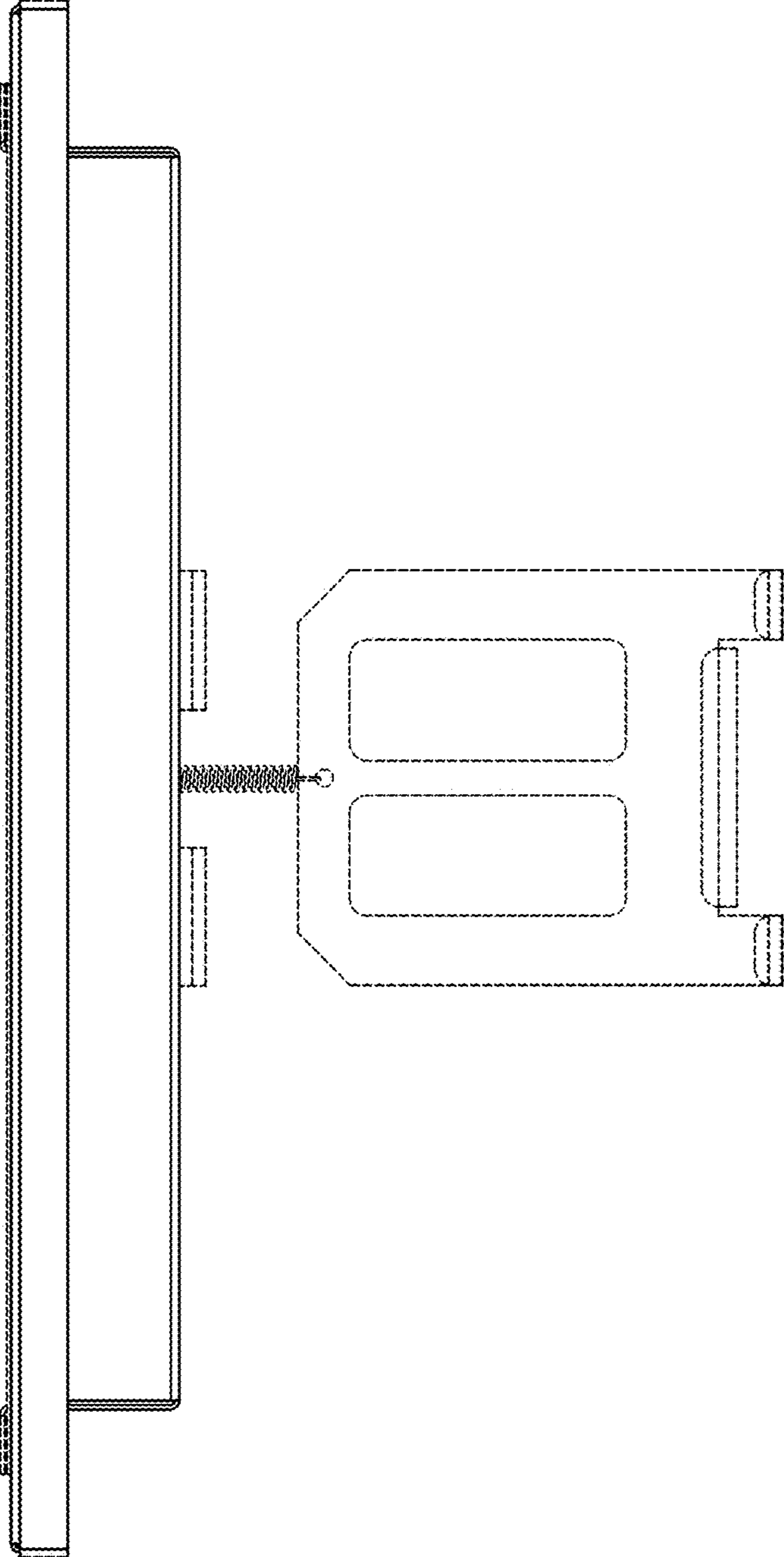


FIG. 1

FIG. 2



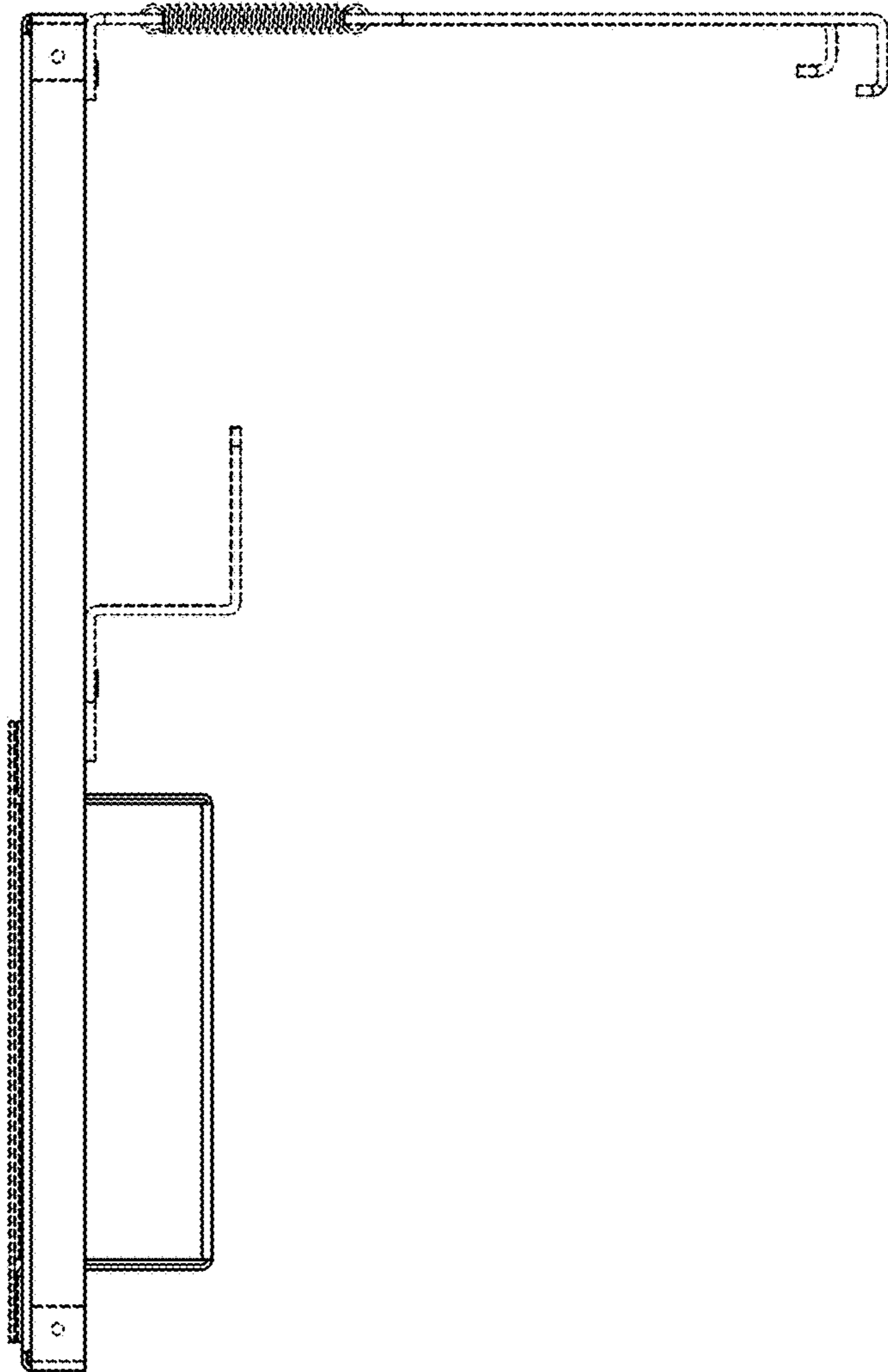


FIG. 3

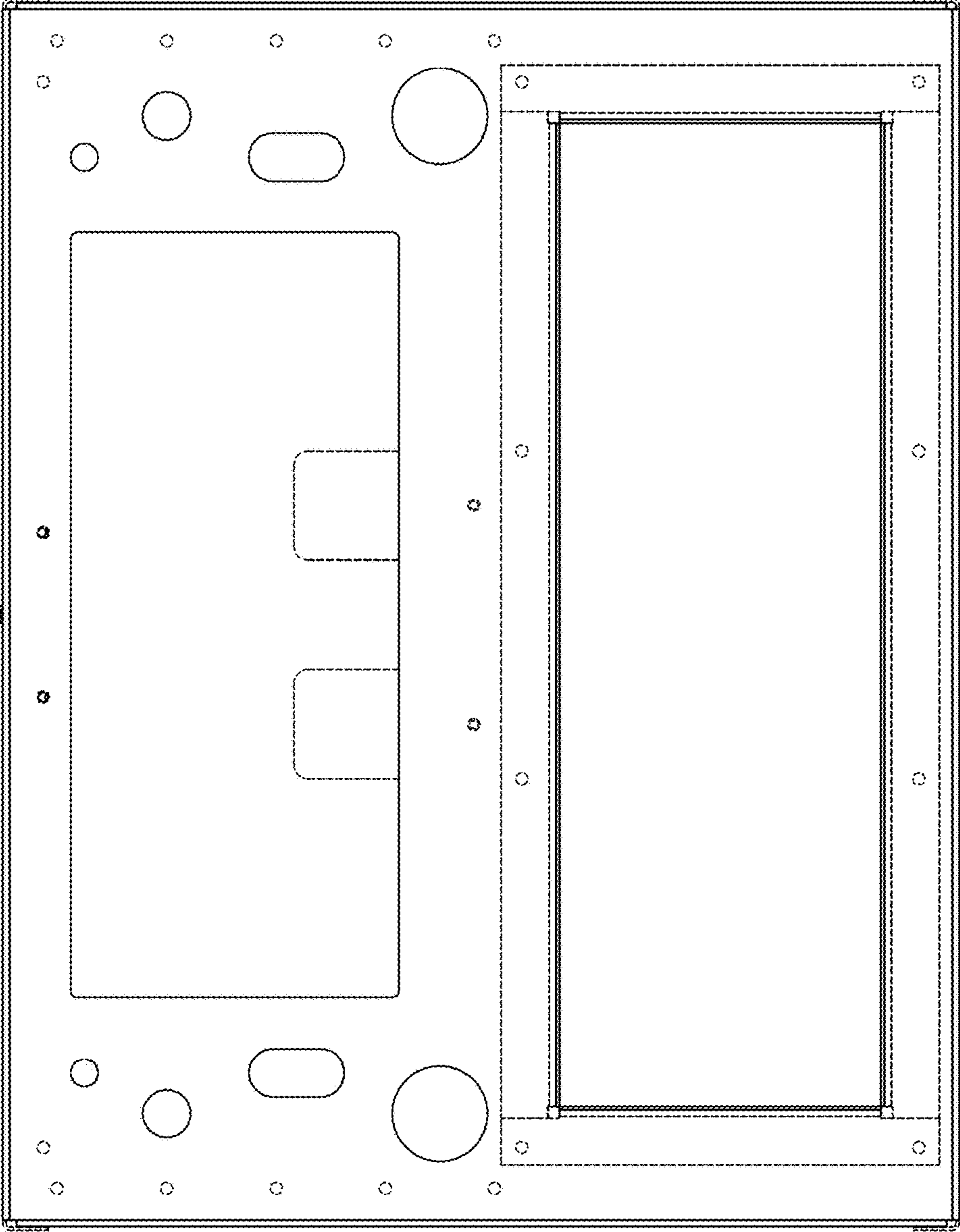


FIG. 4

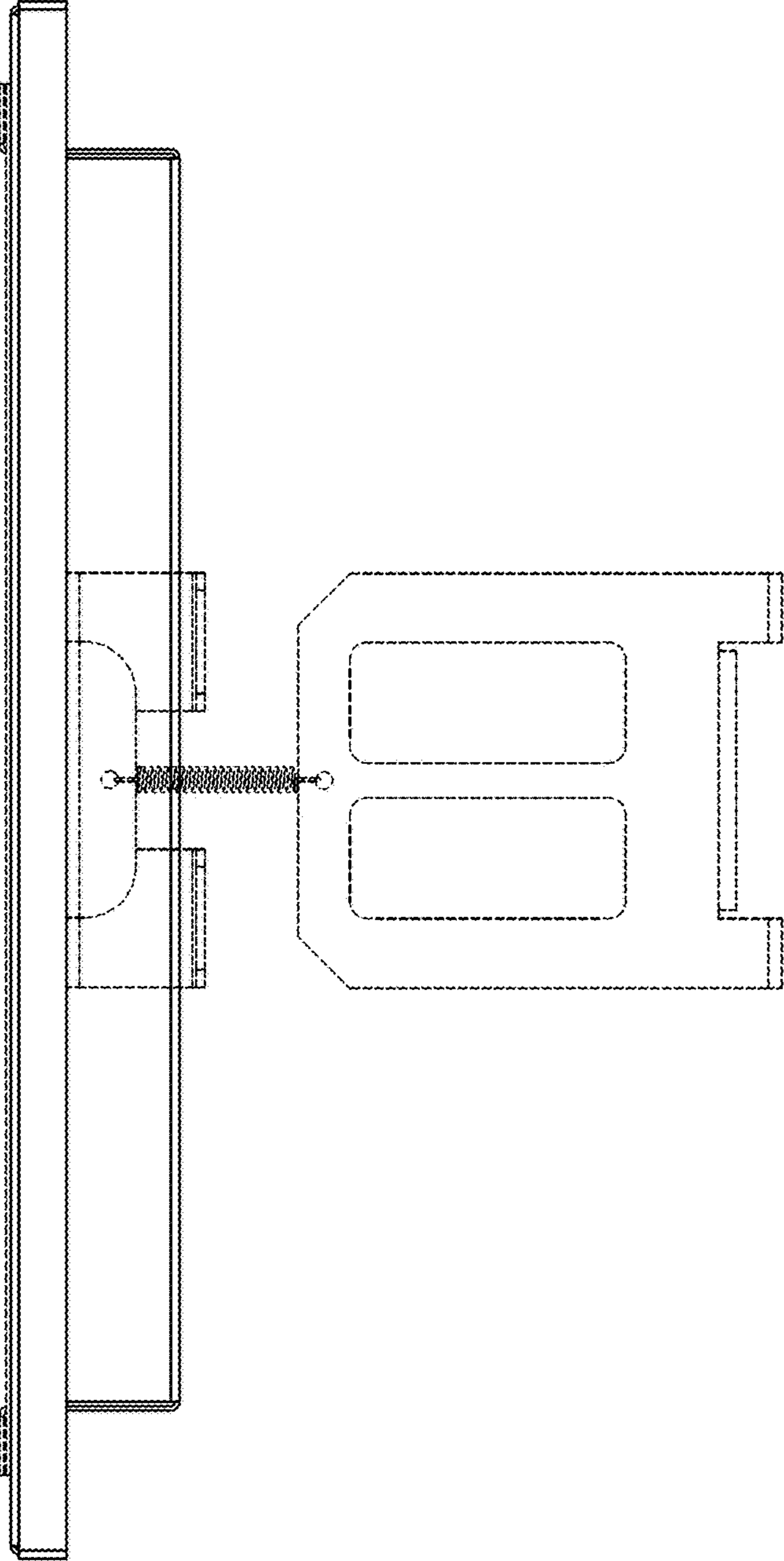


FIG. 5

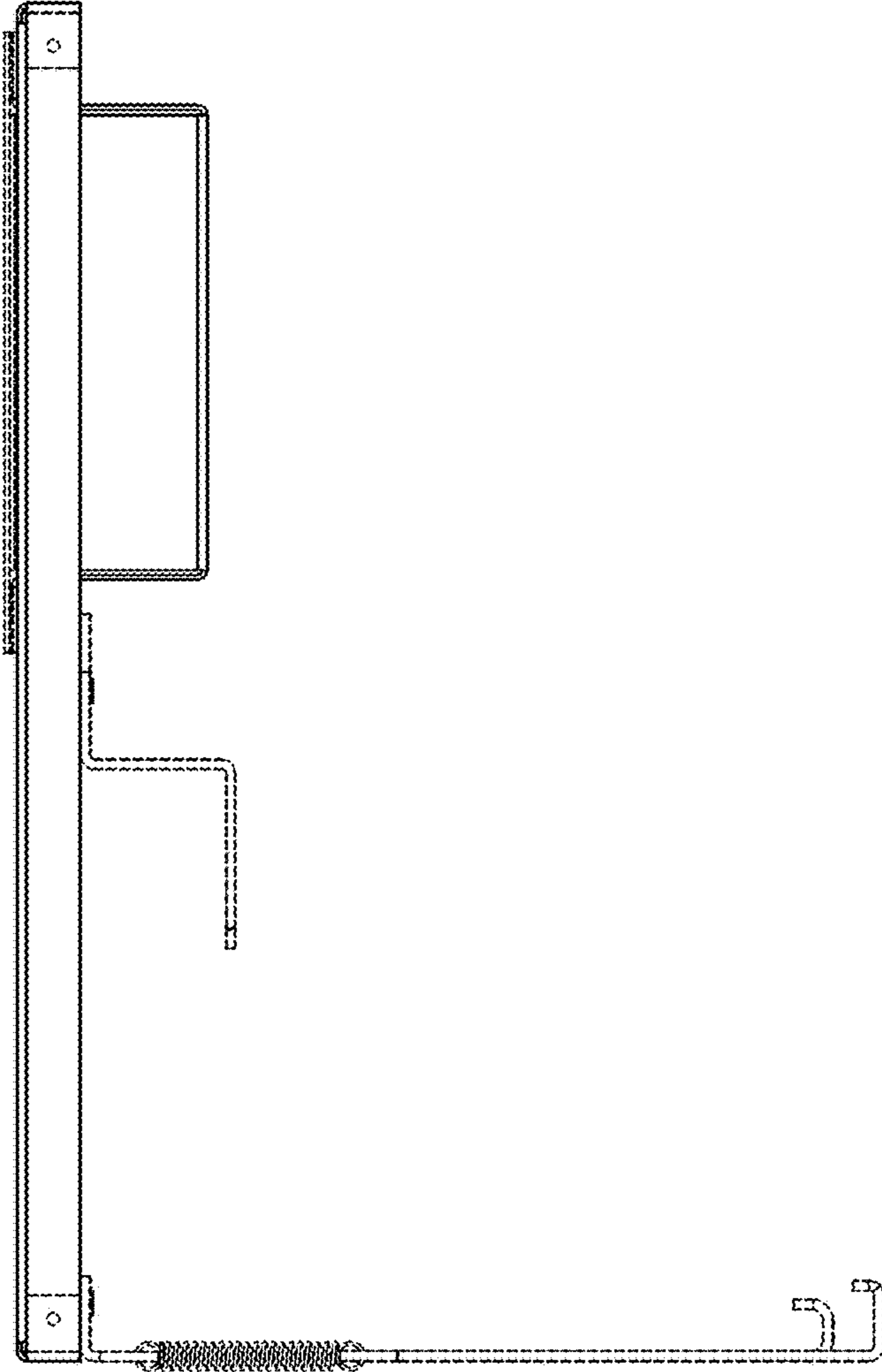


FIG. 6

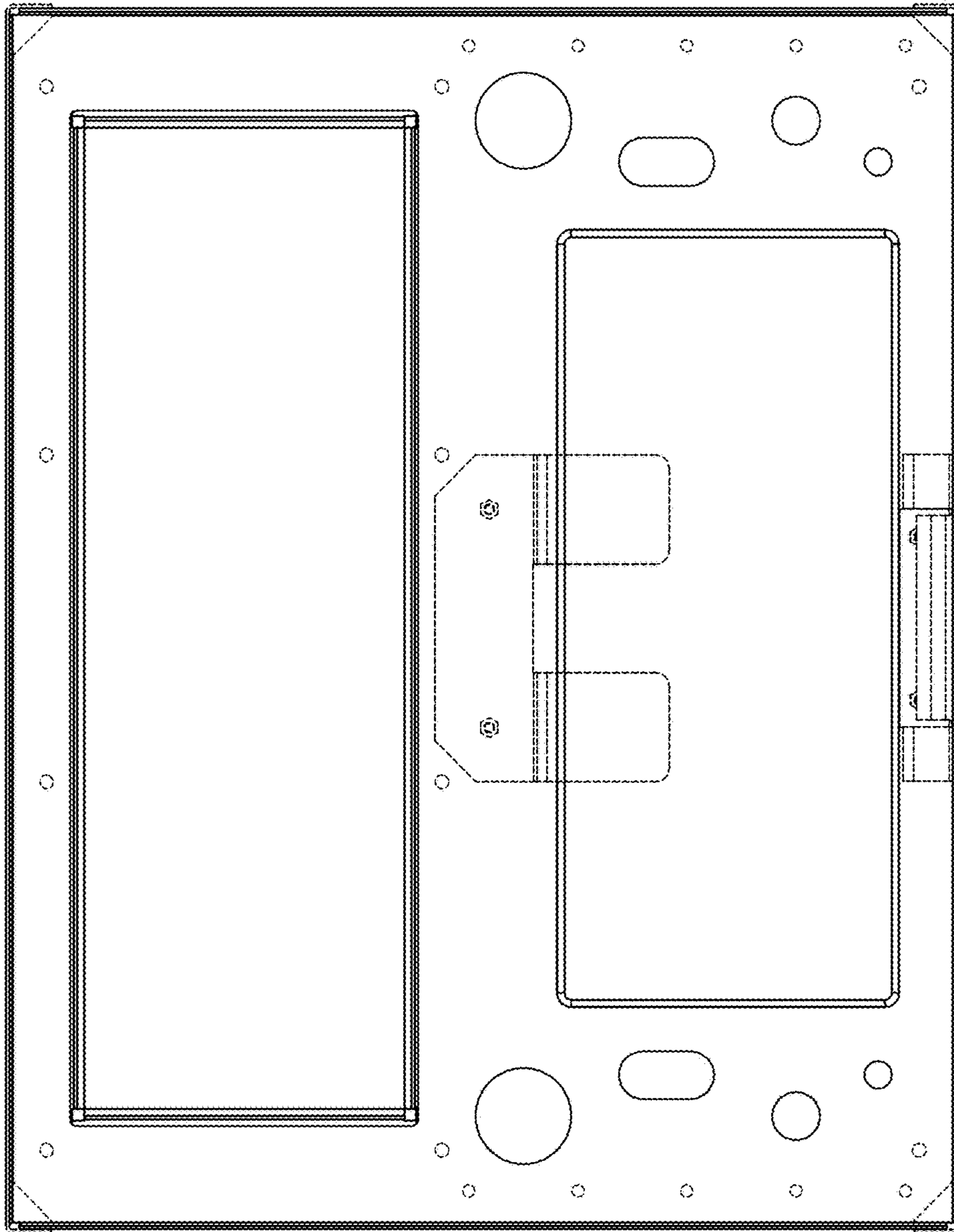


FIG. 7