



US00D810320S

(12) **United States Design Patent** (10) **Patent No.:** **US D810,320 S**
Rose (45) **Date of Patent:** **** Feb. 13, 2018**

(54) **ADJUSTABLE LADDER**
(71) Applicant: **Paul Rose**, Waco, TX (US)
(72) Inventor: **Paul Rose**, Waco, TX (US)
(**) Term: **15 Years**

(21) Appl. No.: **29/570,093**
(22) Filed: **Jul. 5, 2016**
(51) **LOC (11) Cl.** **25-04**
(52) **U.S. Cl.**
USPC **D25/64**
(58) **Field of Classification Search**
USPC 182/21, 23, 26, 67.4, 245, 220, 215, 209,
182/207, 204, 201, 200, 2.11, 195, 194,
182/180.1, 162, 161, 157, 156, 152, 151,
182/132, 130, 129, 120, 115, 113, 112,
182/102, 103, 104, 106, 107, 108, 125,
182/166, 167, 172, 173; D25/62, 63, 64,
D25/65, 66, 67, 68, 69; 248/188.3
CPC E06C 1/39; E06C 9/08; E06C 1/38; E06C
1/00; E06C 1/12; E06C 1/14; E06C 1/18;
E06C 1/22; E06C 1/393; E06C 7/00;
E06C 7/06; E06C 7/08; E06C 7/14; E06C
7/42; E04G 2001/305
See application file for complete search history.

(56) **References Cited**
U.S. PATENT DOCUMENTS
5,265,698 A * 11/1993 Friedel, Jr. E06C 7/44
182/201
5,816,364 A * 10/1998 Christy E06C 7/44
182/201
7,000,731 B2 * 2/2006 Swiderski E06C 7/46
182/108
7,000,732 B1 * 2/2006 Briggs, Jr. B25H 3/00
182/129
D548,364 S * 8/2007 Skubic D25/64
D766,462 S * 9/2016 Moss D25/64
2006/0006024 A1 * 1/2006 Till E06C 7/14
182/129

(Continued)

Primary Examiner — Cynthia Ramirez
Assistant Examiner — Michael A Maharajh
(74) *Attorney, Agent, or Firm* — Bryan Cave LLP

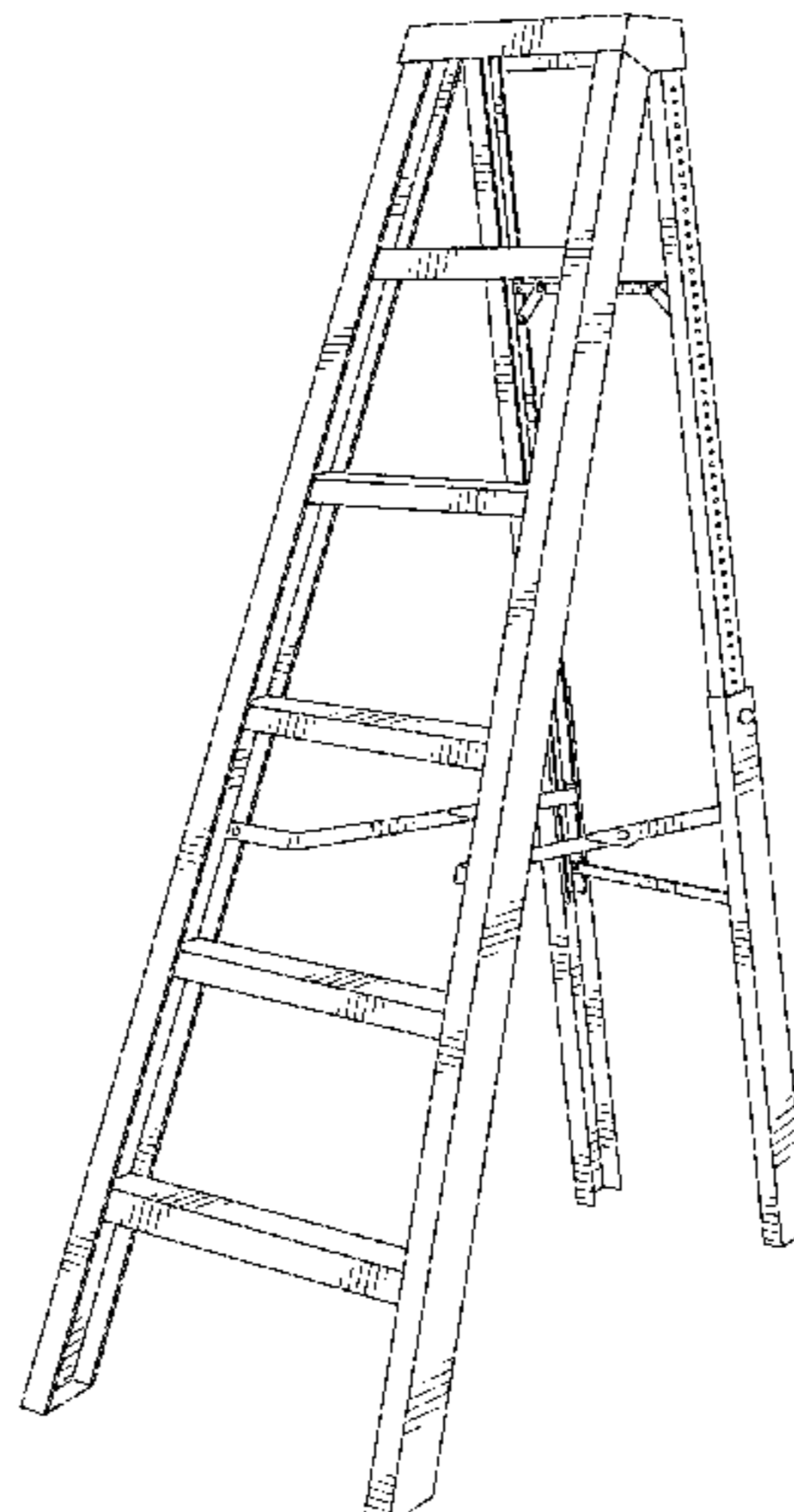
(57) **CLAIM**

I claim the ornamental design for an adjustable ladder, as shown and described.

DESCRIPTION

FIG. 1 is a perspective view of an adjustable ladder showing the new design;
FIG. 2 is a front view thereof;
FIG. 3 is a rear view thereof;
FIG. 4 is a side view thereof, the opposite side being a mirror image;
FIG. 5 is a top view thereof;
FIG. 6 is a bottom view thereof;
FIG. 7 is a perspective view showing the design of FIG. 1 with the adjustable legs in an alternate position of use;
FIG. 8 is a perspective view showing the design of FIG. 1 with the adjustable legs in a second alternate position of use;
FIG. 9 is an exploded perspective view showing the design of FIG. 1 with the adjustable portion of the legs separated from the fixed legs, with the leg pins removed to show the construction order; and,
FIG. 10 is an enlarged view of the design of FIG. 1, taken from circle 10 shown in FIG. 9.
The dash-dash broken lines appearing in FIGS. 7 and 8 illustrate environmental structure of a floor and stairway, which form no part of the claimed design. The dash-dot broken lines appearing in FIGS. 9 and 10 illustrate the exploded distance between the elements, for adjustment to the ladder, which forms no part of the claimed design. The dash-dash broken lines forming an oval in FIGS. 9 and 10 illustrate a boundary showing the enlarged portion in FIG. 10 and forms no part of the claimed design.

1 Claim, 10 Drawing Sheets



(56)

References Cited

U.S. PATENT DOCUMENTS

2008/0029339 A1* 2/2008 Yewer E06C 1/18
182/104
2010/0018801 A1* 1/2010 Allred E06C 1/39
182/129
2010/0116592 A1* 5/2010 Clements E06C 1/39
182/180.1
2013/0327593 A1* 12/2013 Perkins E06C 1/14
182/180.1
2016/0265277 A1* 9/2016 Masters E06C 7/085

* cited by examiner

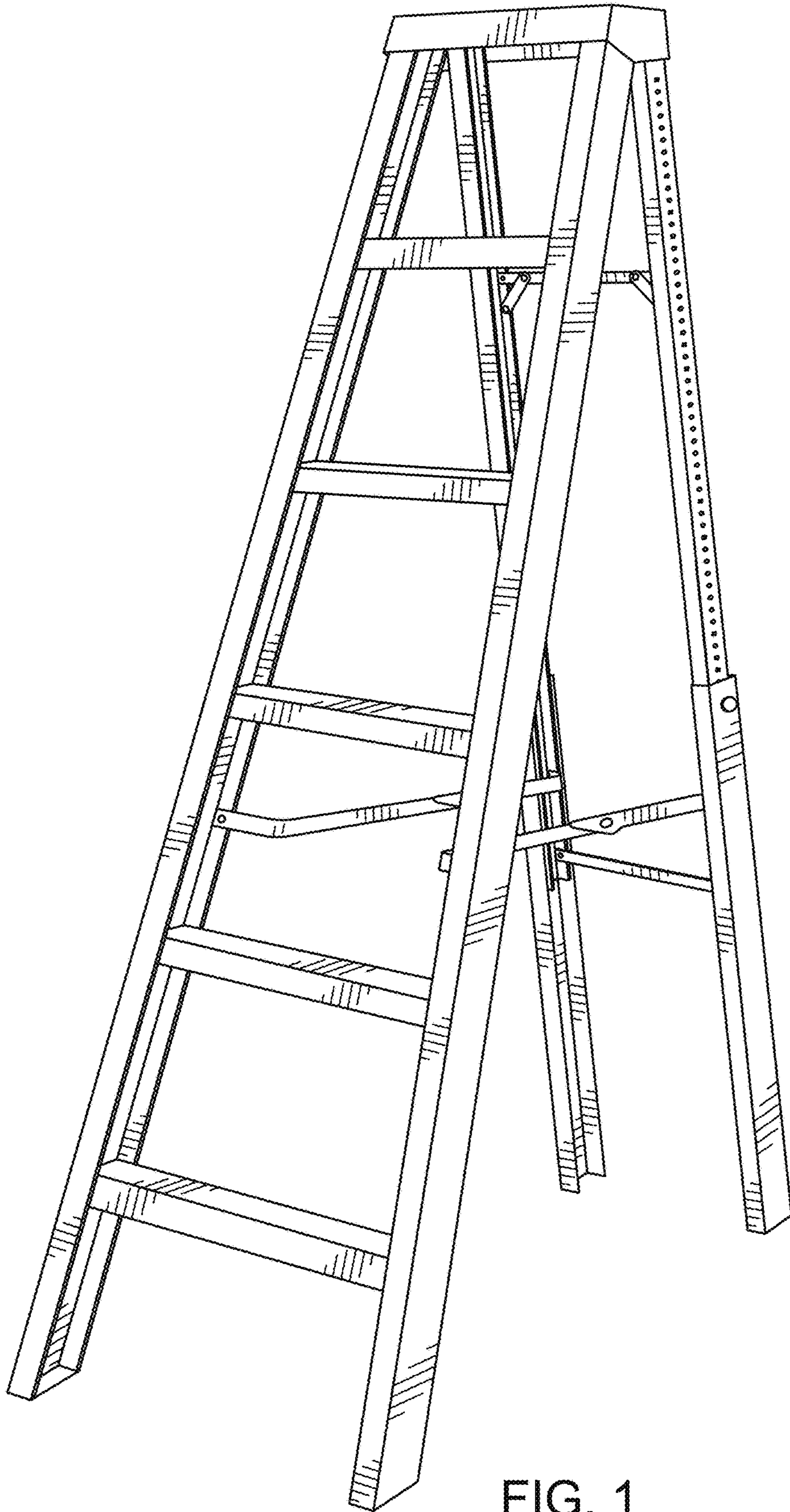


FIG. 1

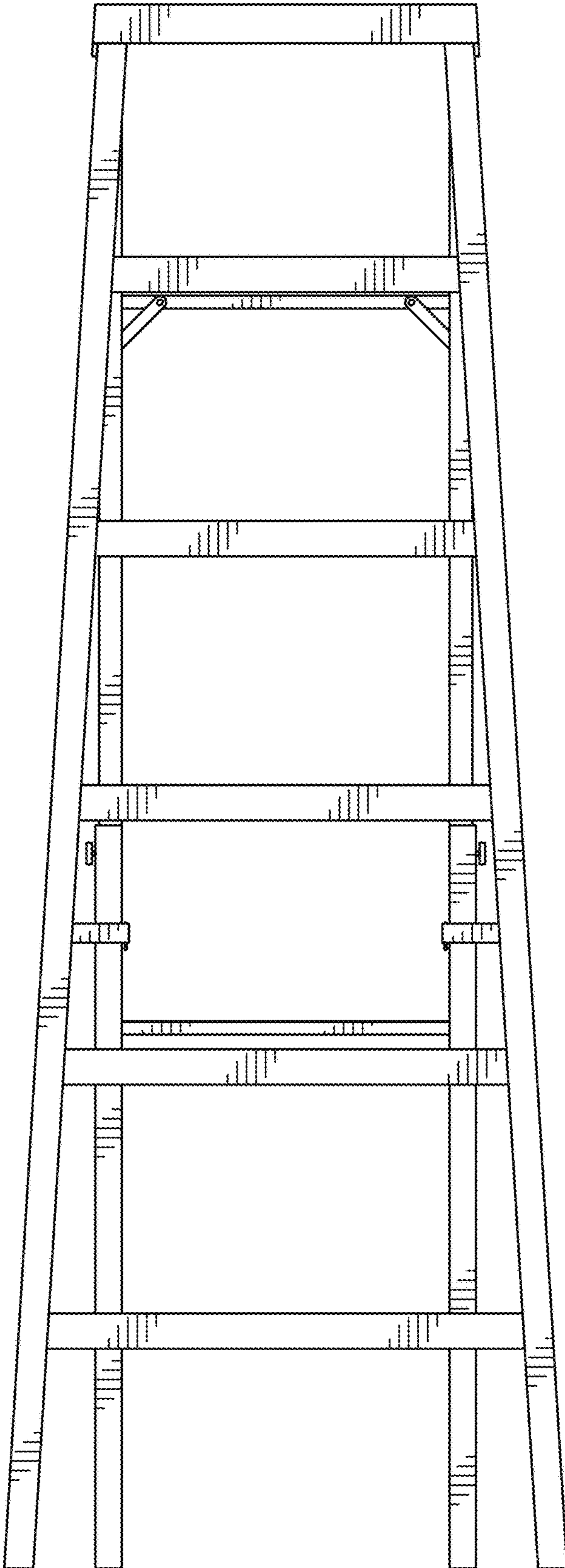


FIG. 2

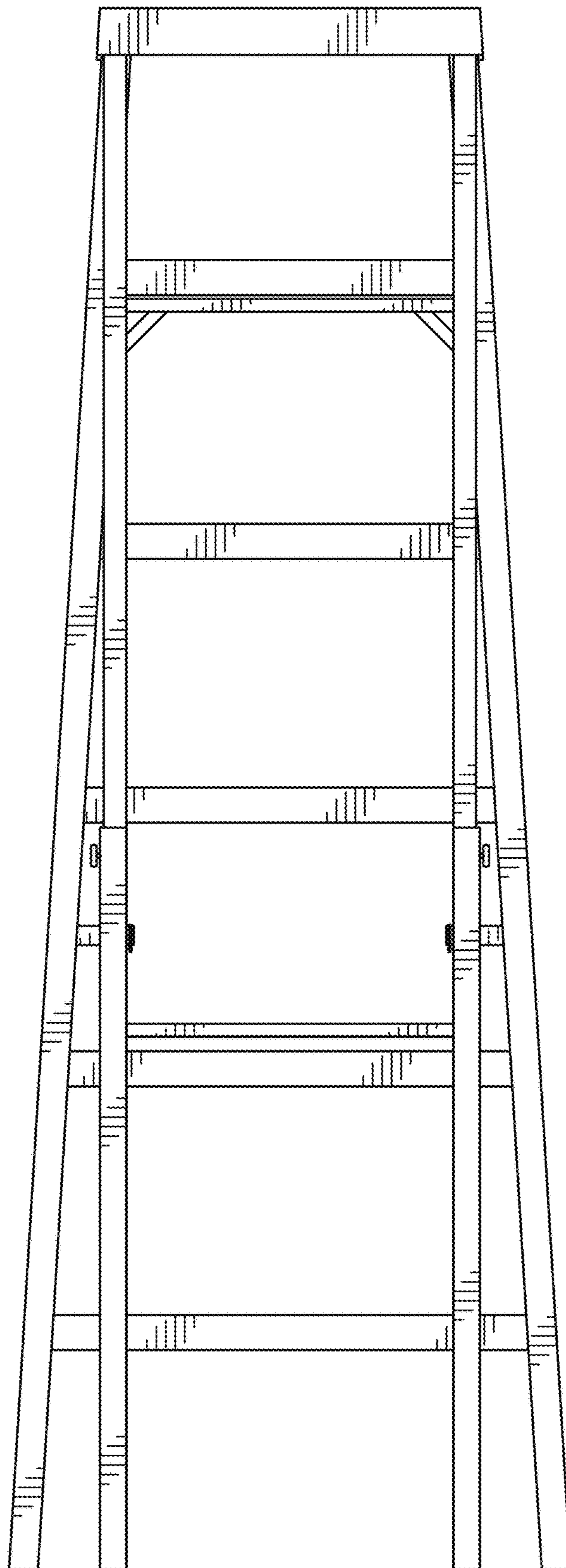
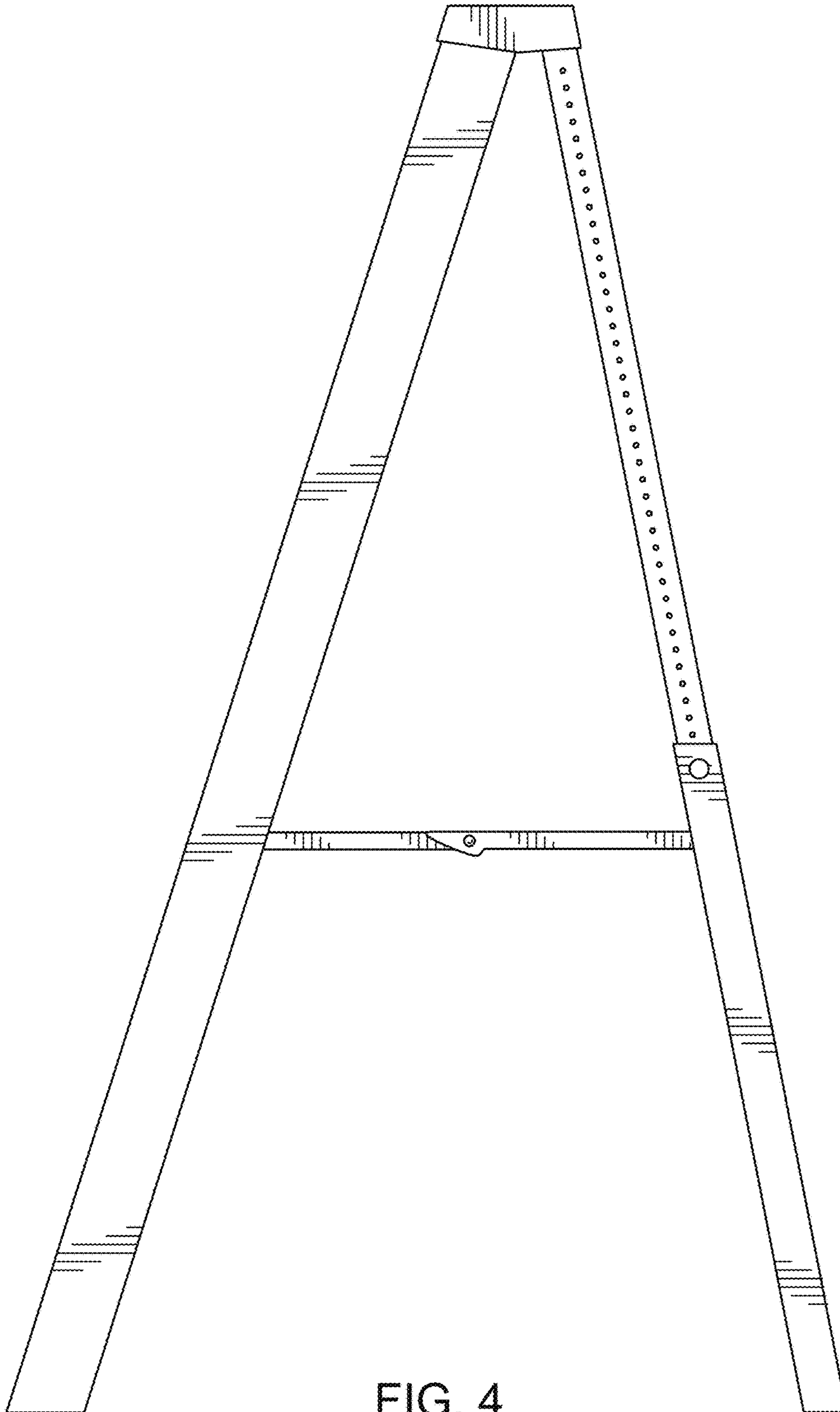


FIG. 3



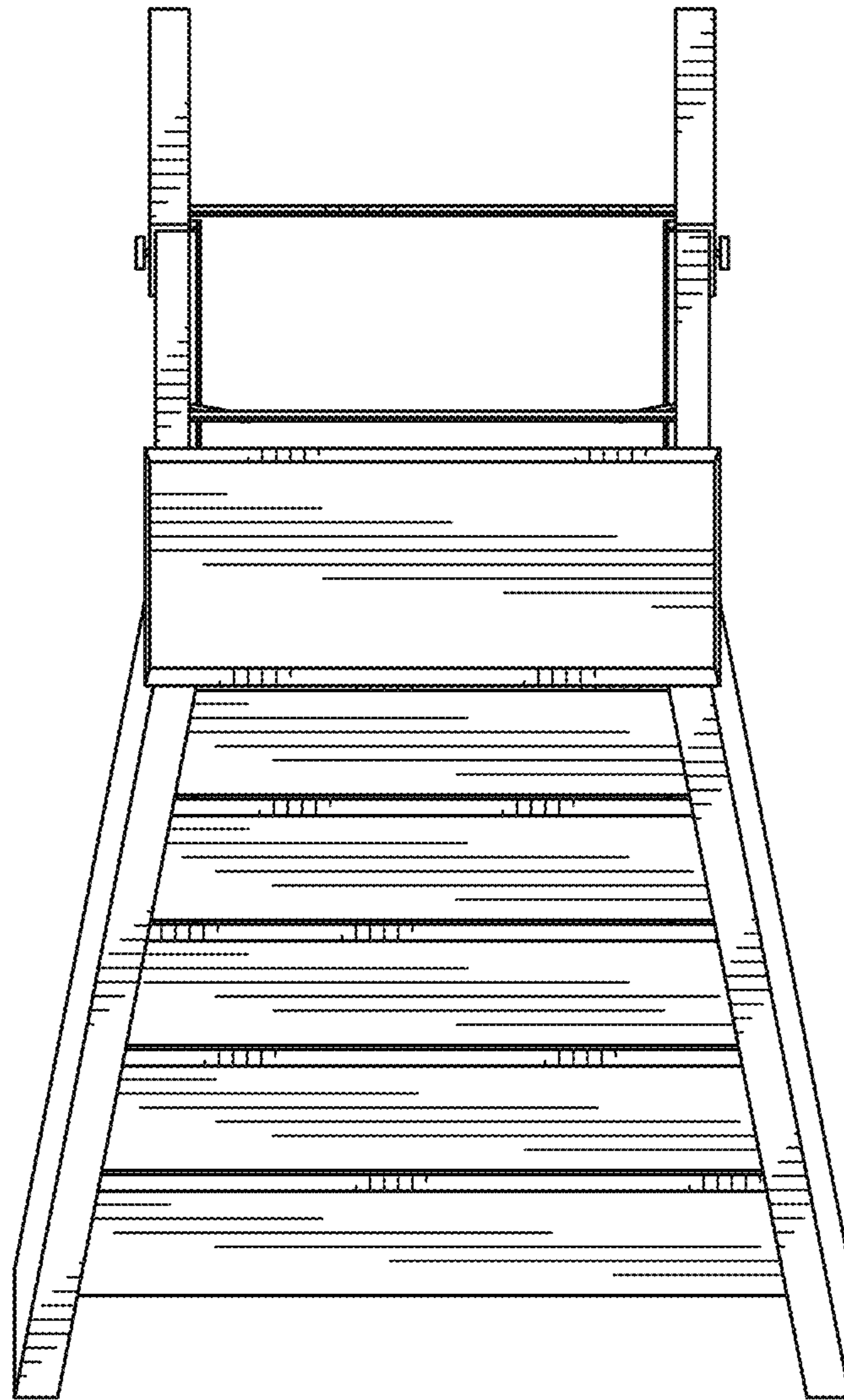


FIG. 5

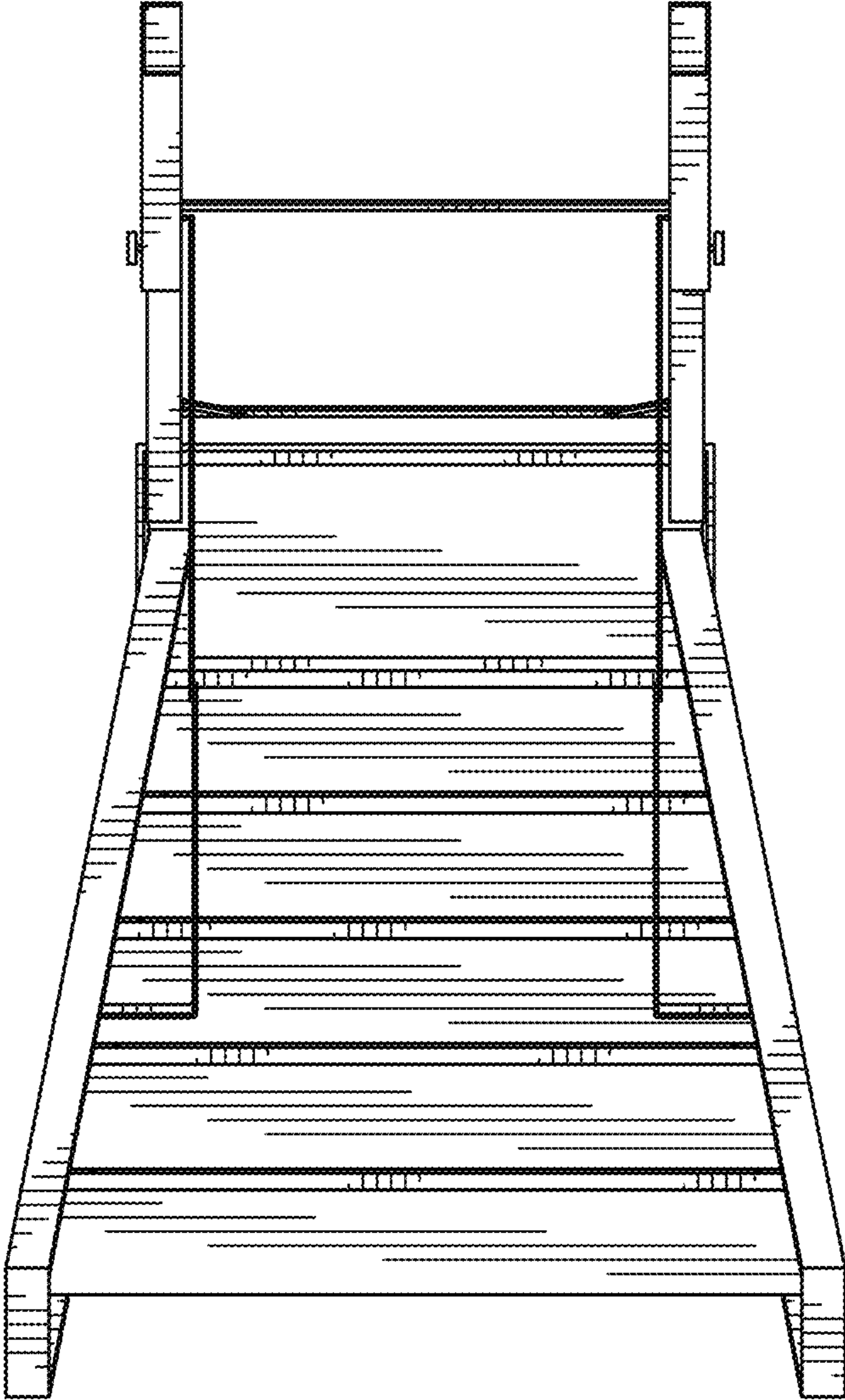


FIG. 6

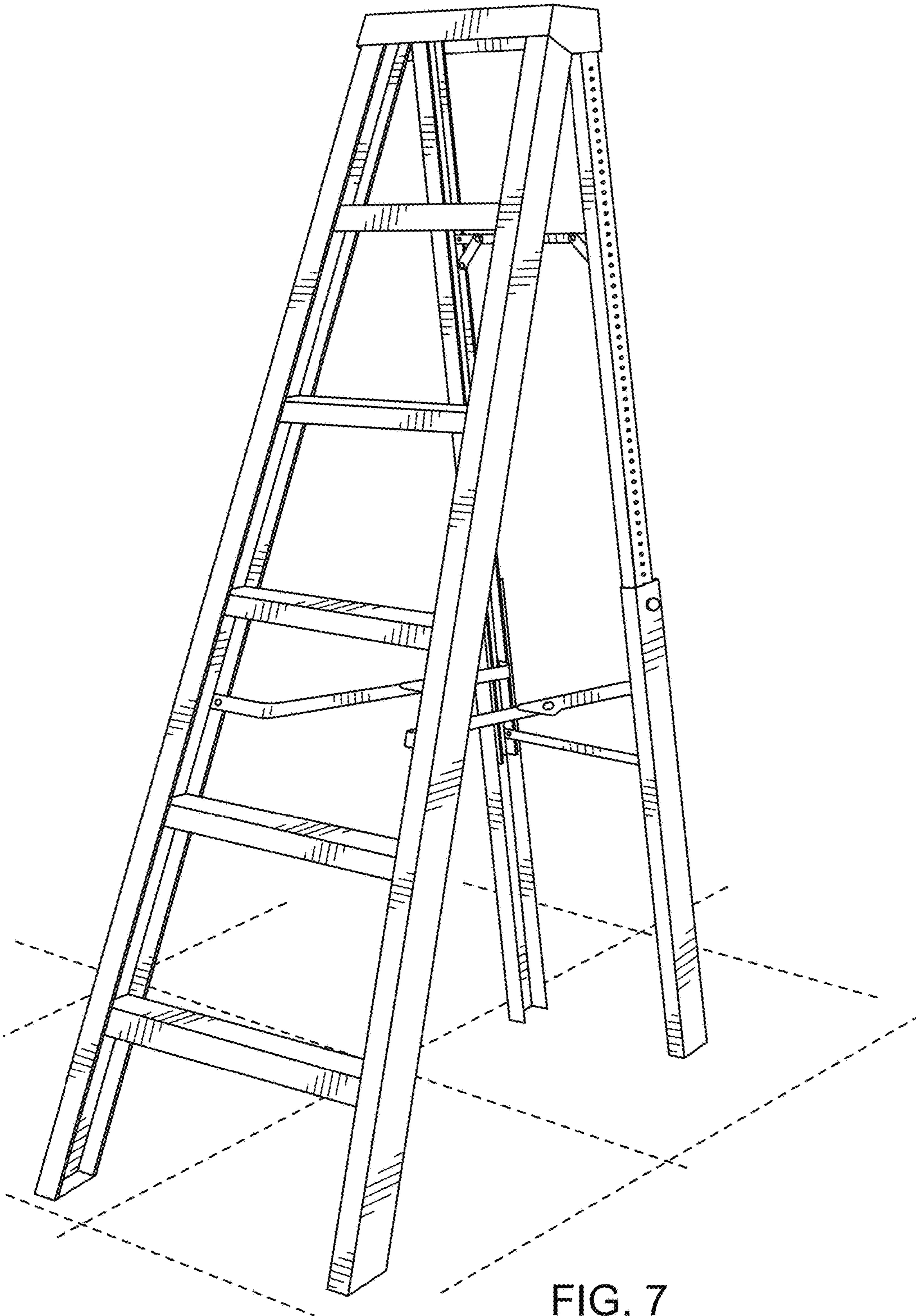


FIG. 7

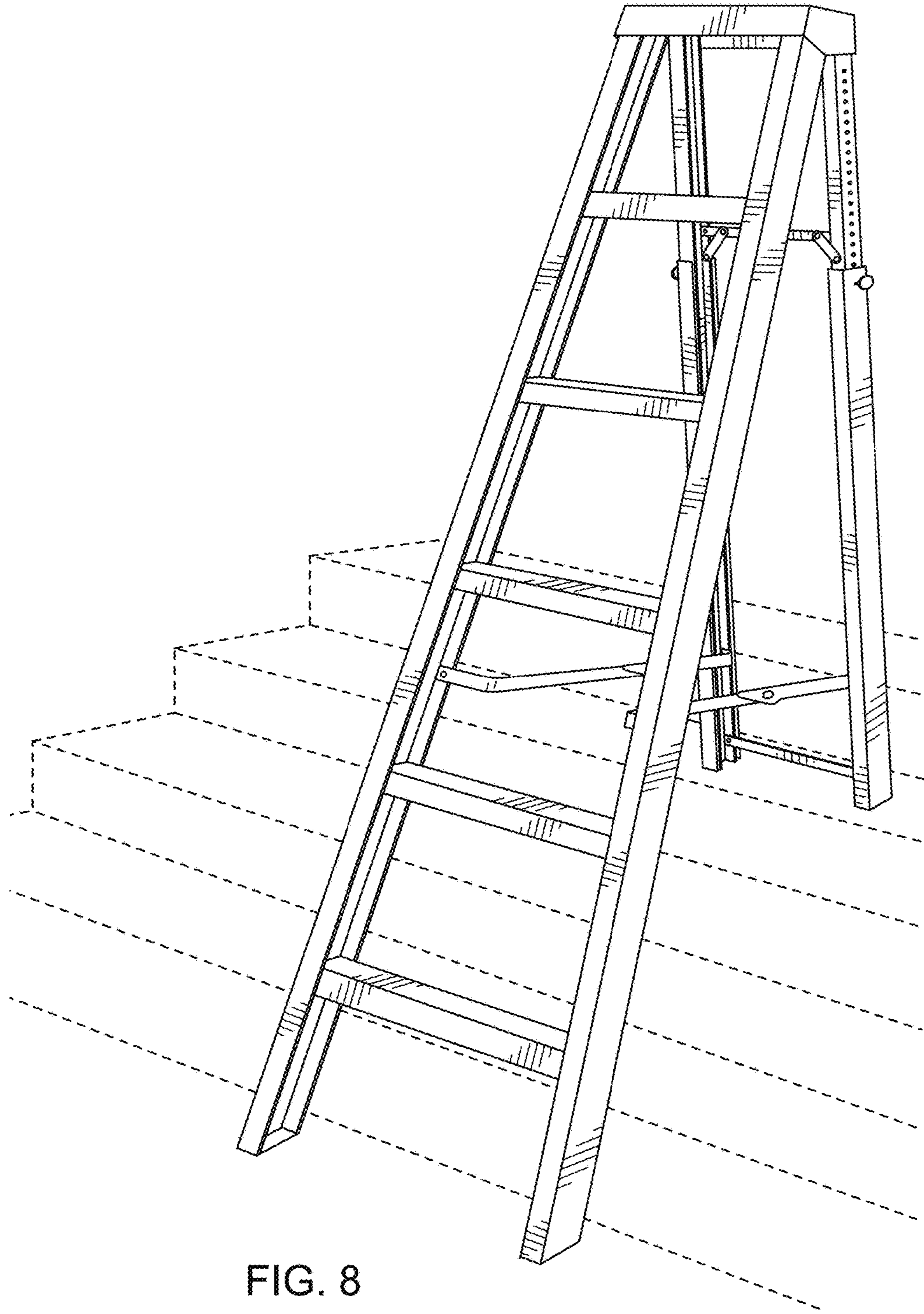


FIG. 8

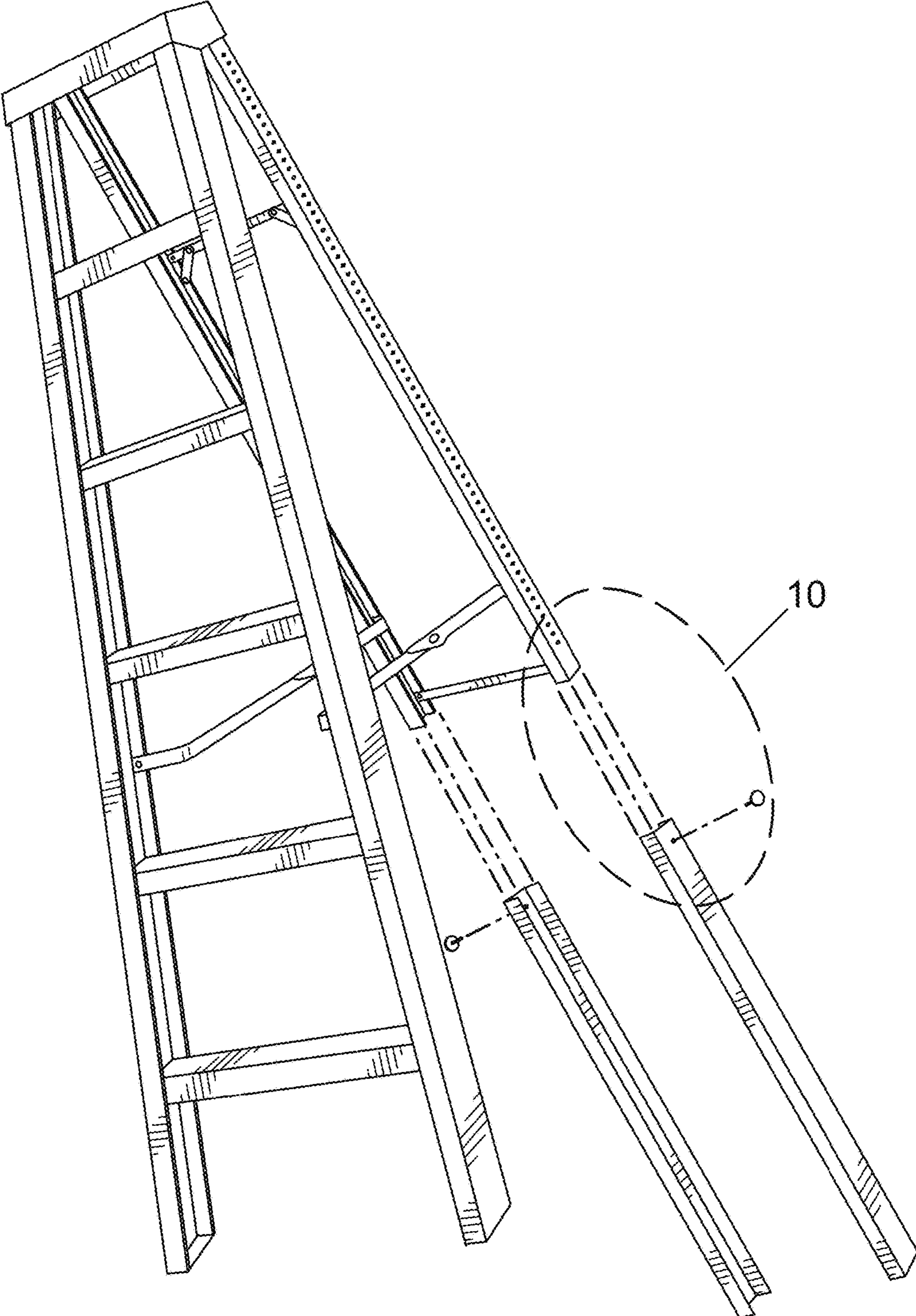


FIG. 9

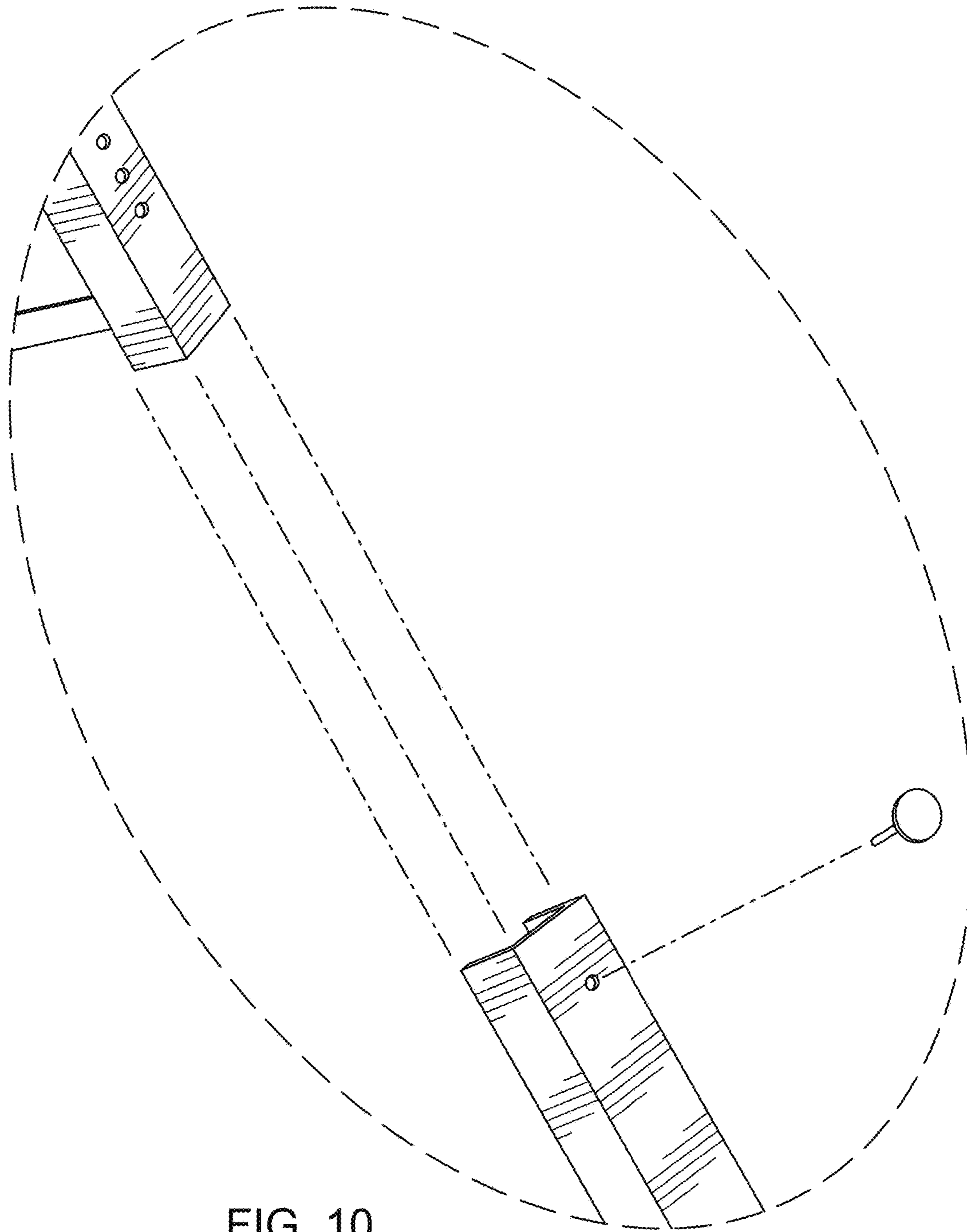


FIG. 10