



US00D810319S

(12) **United States Design Patent** (10) **Patent No.:** **US D810,319 S**
Dawdy (45) **Date of Patent:** **** Feb. 13, 2018**

(54) **SCREEN**

(71) Applicant: **CIW Enterprises, Inc.**, Mountain Top, PA (US)

(72) Inventor: **David Dawdy**, Mountain Top, PA (US)

(73) Assignee: **CIW ENTERPRISES, INC.**, Mountain Top, PA (US)

(**) Term: **15 Years**

(21) Appl. No.: **29/590,934**

(22) Filed: **Jan. 13, 2017**

(51) **LOC (11) Cl.** **25-02**

(52) **U.S. Cl.**
USPC **D25/48.8**; D20/10

(58) **Field of Classification Search**
USPC D20/10, 11, 19, 42; D25/48.8
CPC E06B 9/17; E06B 9/62; E06B 9/72; E06B 9/80; E06B 9/581; E06B 9/17046; E06B 5/16; E06B 2009/801
See application file for complete search history.

(56) **References Cited**

U.S. PATENT DOCUMENTS

D518,109 S *	3/2006	Opolka	D20/42
D524,063 S *	7/2006	Berg	D20/10
D565,059 S *	3/2008	Armstrong	D14/489
D601,202 S *	9/2009	Asada	D20/11
D608,830 S *	1/2010	Taylor	D20/10
D611,102 S *	3/2010	Taylor	D20/10
D622,322 S *	8/2010	Hussain	D20/42
D650,014 S *	12/2011	Gimpel	D20/10
8,113,266 B2 *	2/2012	Cloninger	A62C 2/10 160/11
9,133,663 B2 *	9/2015	Klish	E06B 9/17 160/120
D763,131 S *	8/2016	Skinner	D11/165

D764,072 S *	8/2016	Deaderick	D25/48.8
D783,449 S *	4/2017	Skinner	D11/165
2004/0098895 A1 *	5/2004	Sparkowski	G09F 7/18 40/617

(Continued)

OTHER PUBLICATIONS

<https://www.modernfoldstyles.com/products/smoke-guard-elevator-smoke/> Retrieved Sep. 20, 2017 (Year: 2017).*

Primary Examiner — Susan Bennett Hattan

Assistant Examiner — Leanne Was-Englehart

(74) *Attorney, Agent, or Firm* — Morgan, Lewis & Bockius LLP

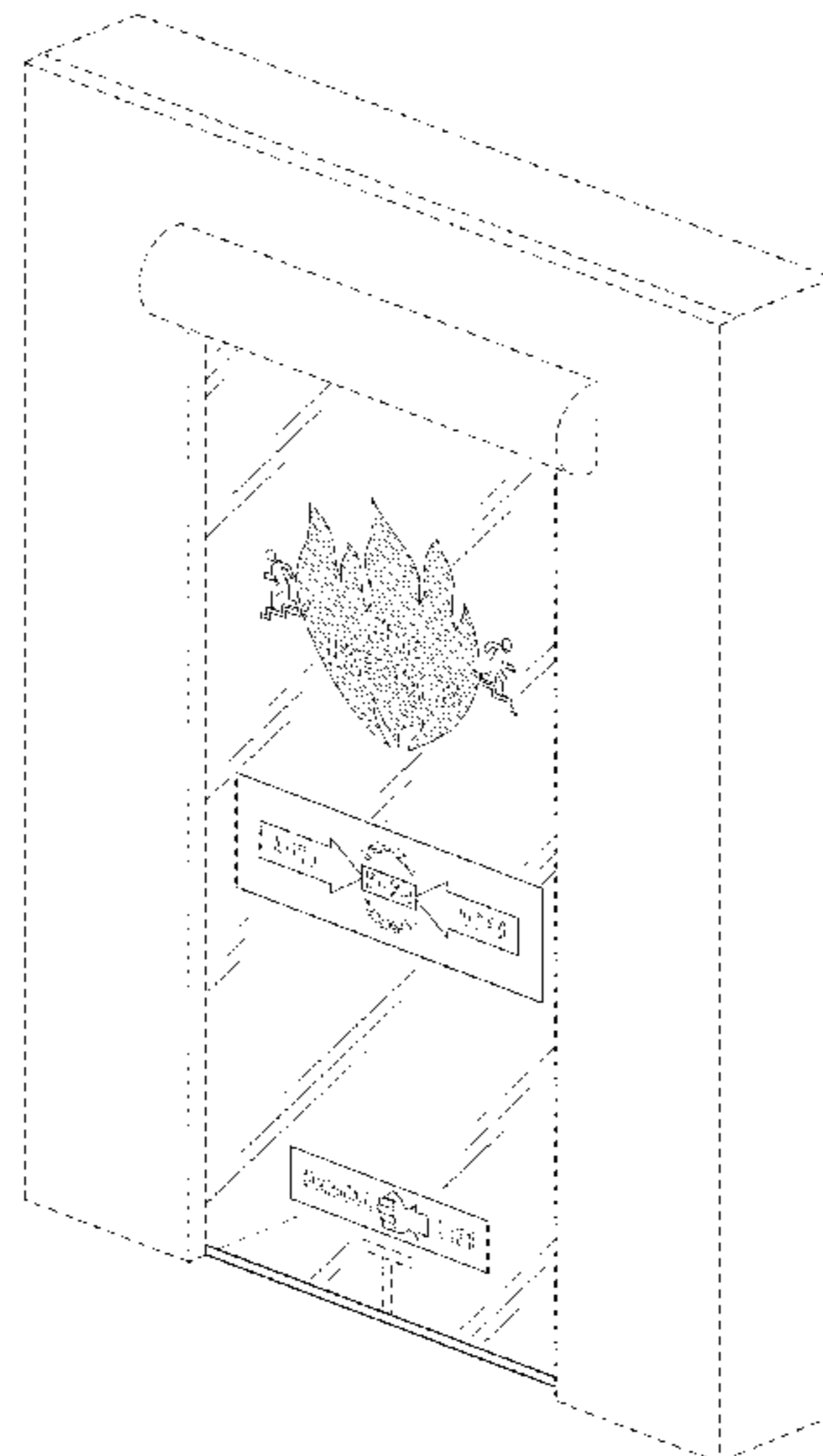
(57) **CLAIM**

The ornamental design for a screen, as shown and described.

DESCRIPTION

FIG. 1 is a front perspective view of a screen in accordance with my new design;
FIG. 2 is a front elevational view of the screen shown in FIG. 1;
FIG. 3 is a rear elevational view of the screen shown in FIG. 1;
FIG. 4 is a right-side elevational view of the screen shown in FIG. 1;
FIG. 5 is a left-side elevational view of the screen shown in FIG. 1;
FIG. 6 is a top plan view of the screen shown in FIG. 1;
FIG. 7 is a bottom plan view of the screen shown in FIG. 1;
FIG. 8 is a front perspective view of the screen of FIG. 1 installed in an elevator bay;
FIG. 9 is a front elevational view of the screen of FIG. 1 installed in an elevator bay; and,
FIG. 10 is a rear elevational view of the screen of FIG. 1 installed in an elevator bay.
The broken lines shown in the drawings represent portions of the screen environment that form no part of the claimed design.

1 Claim, 8 Drawing Sheets



(56)

References Cited

U.S. PATENT DOCUMENTS

2009/0008039 A1* 1/2009 Lambridis A62C 2/10
160/121.1
2010/0243175 A1* 9/2010 Gonzales A62C 2/10
160/7
2017/0234061 A1* 8/2017 Janick E06L 39/17
160/120

* cited by examiner

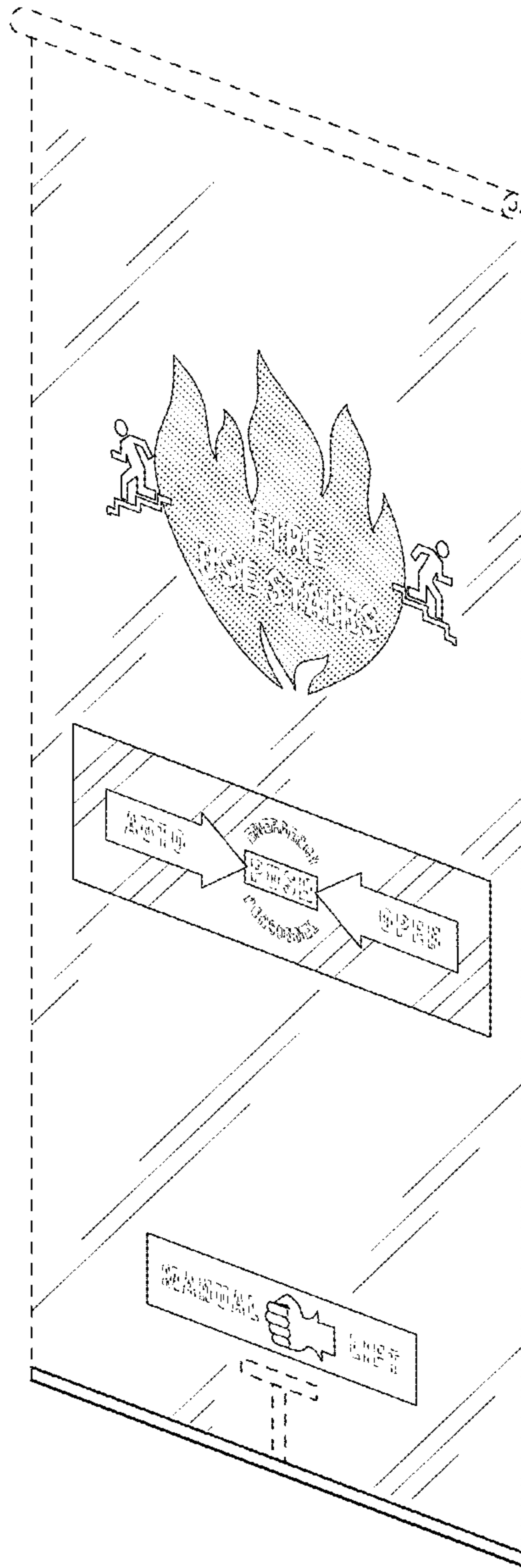


FIG. 1

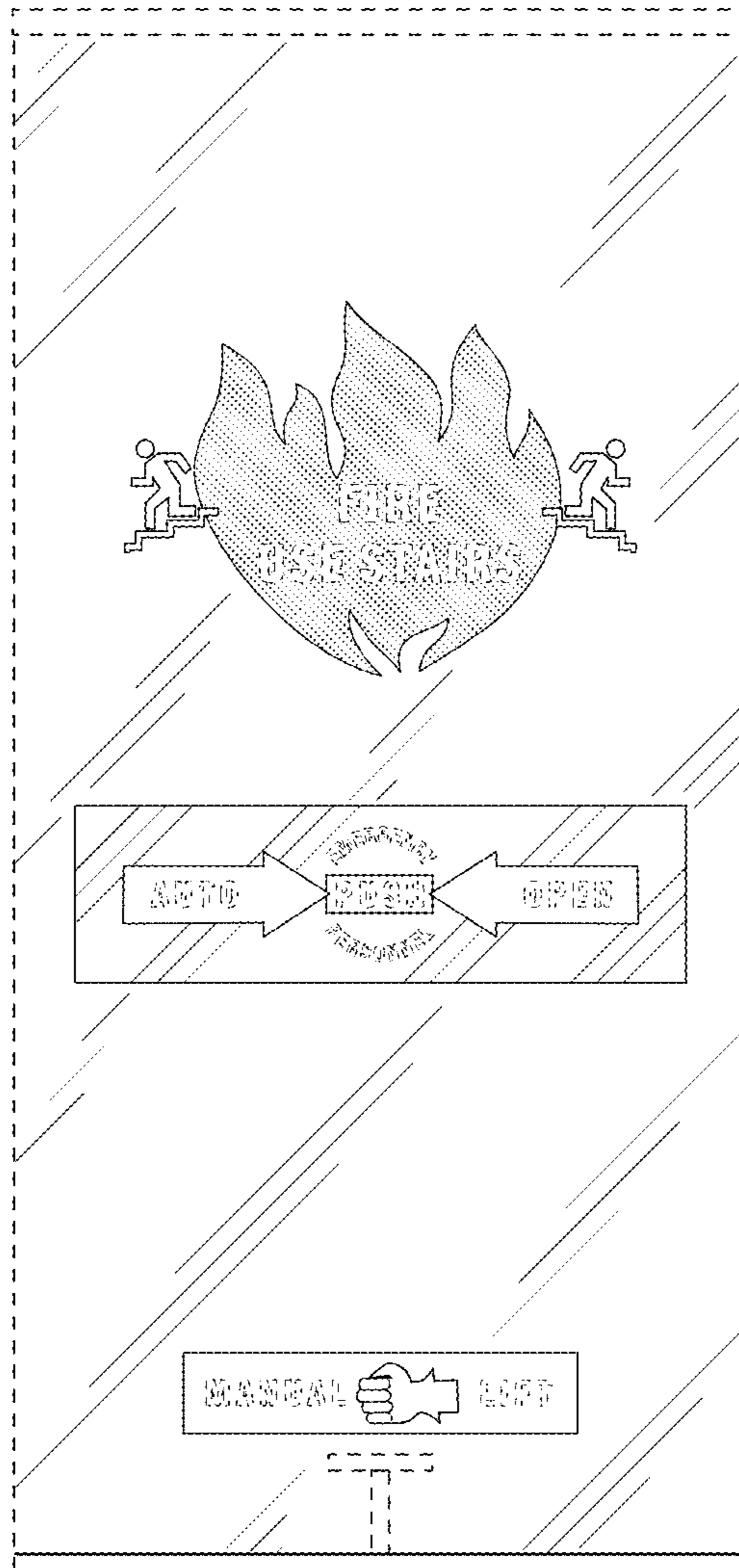


FIG. 2

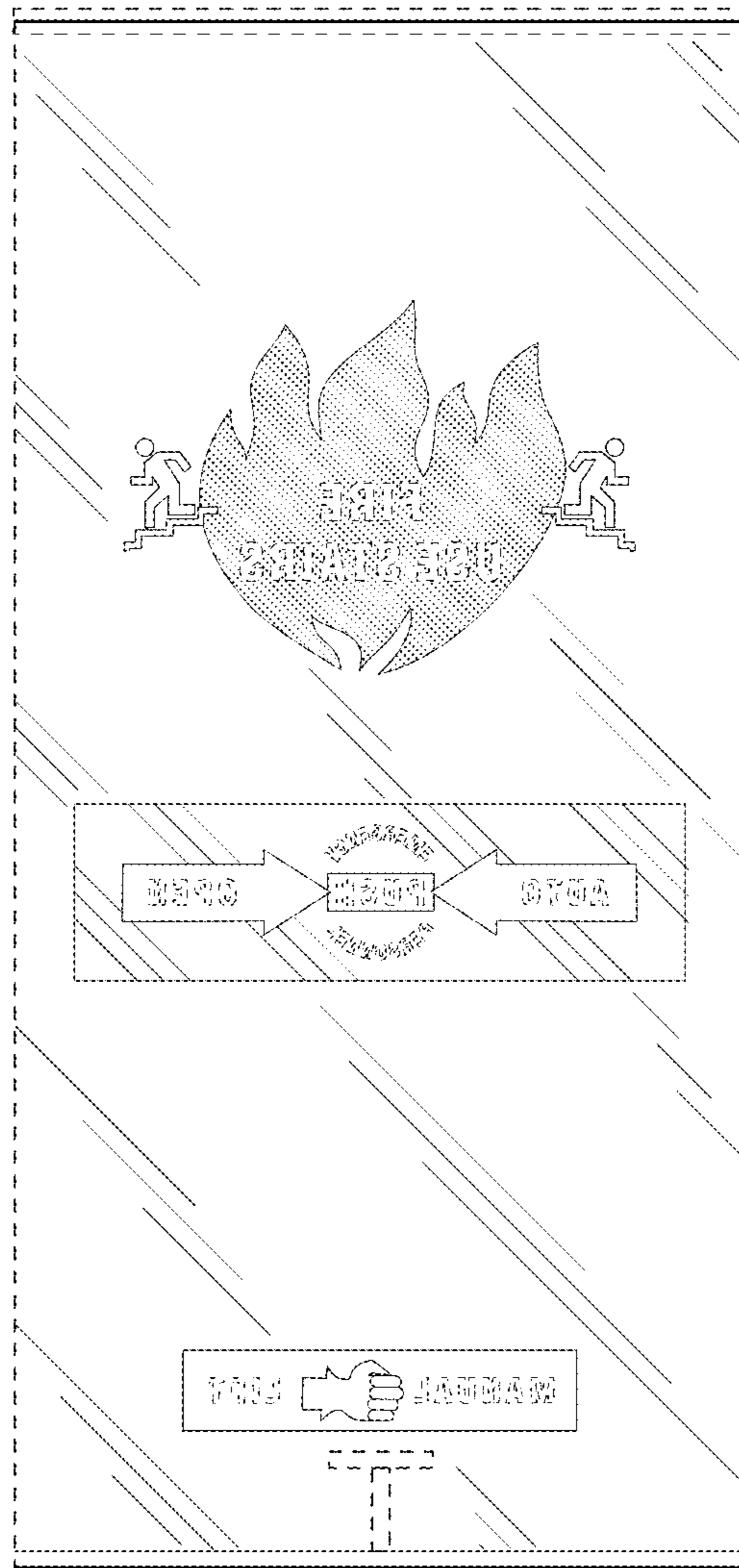


FIG. 3

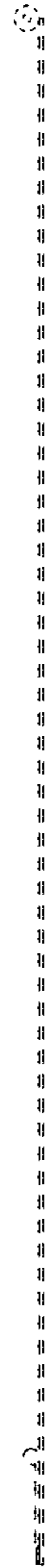


FIG. 4

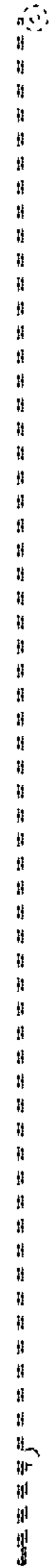


FIG. 5

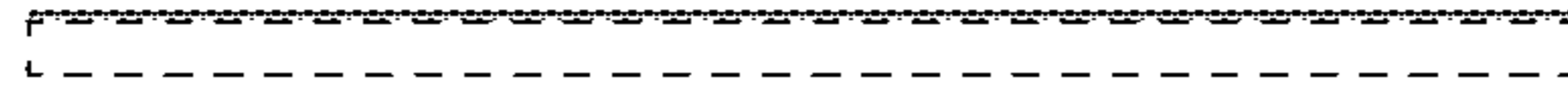


FIG. 6

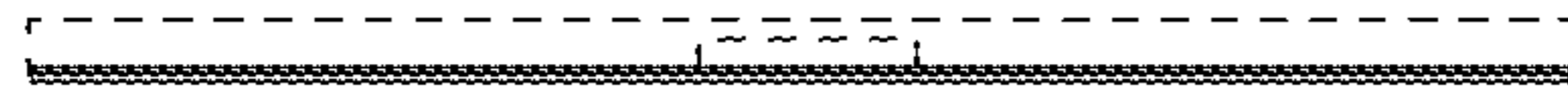


FIG. 7

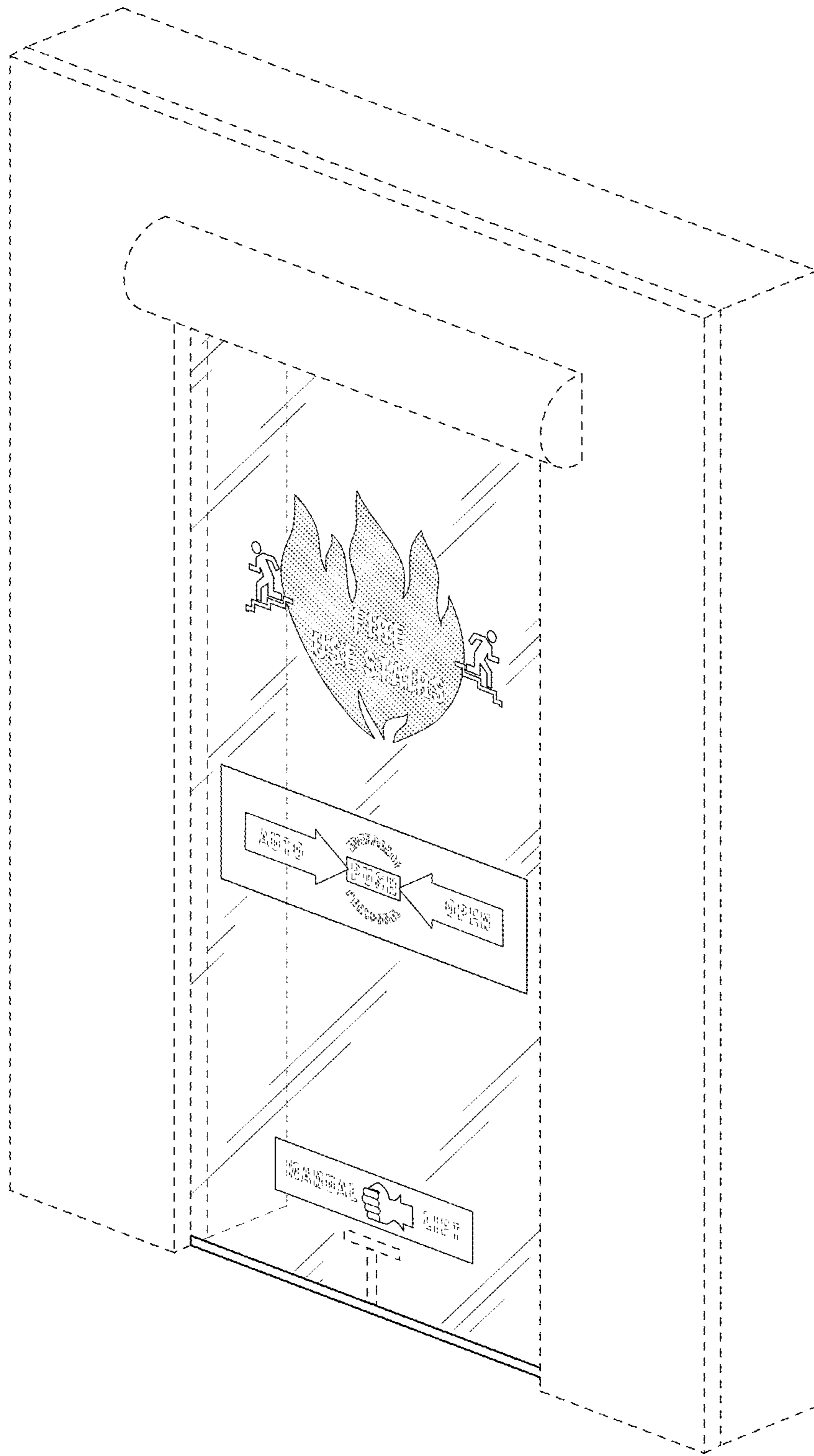


FIG. 8

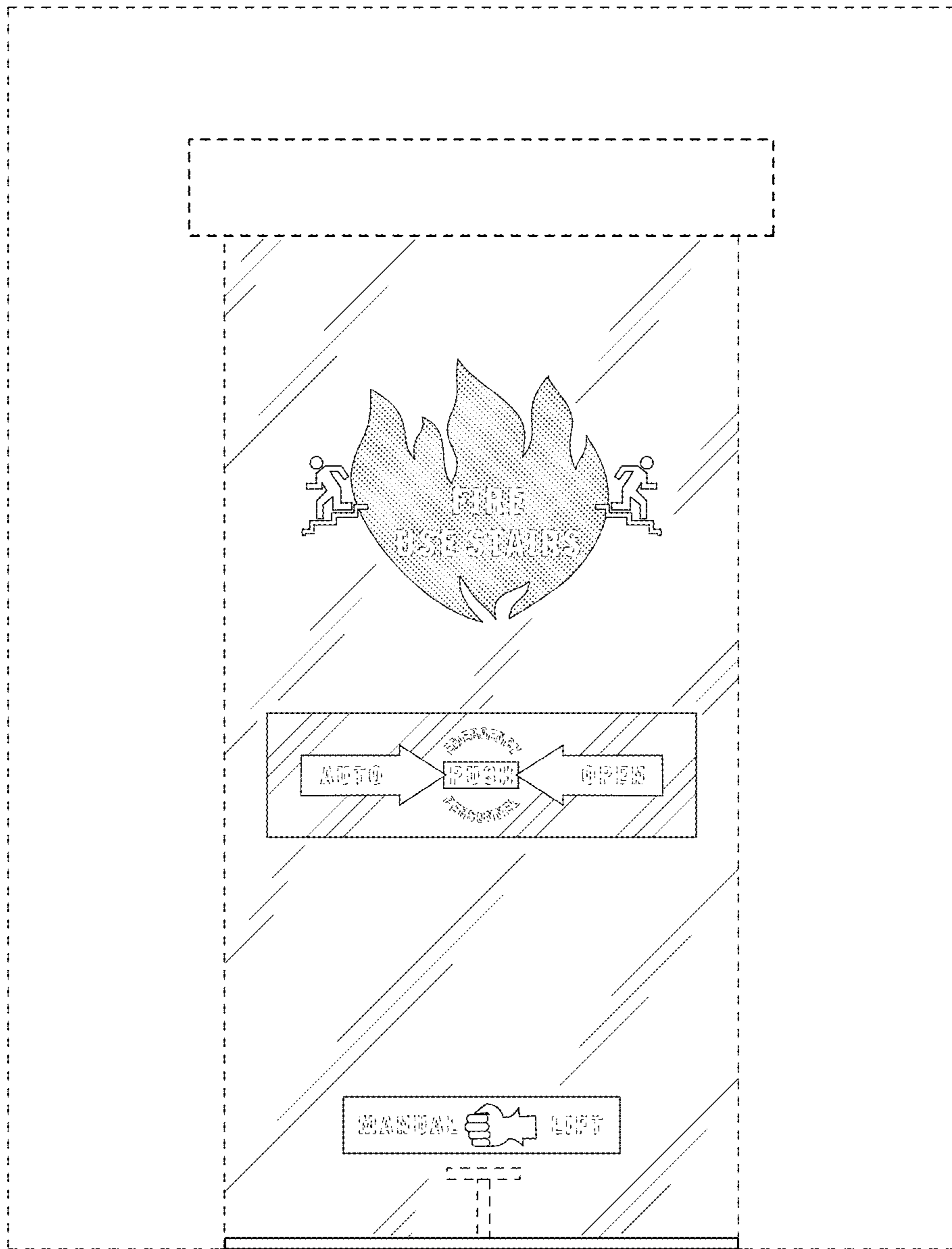


FIG. 9

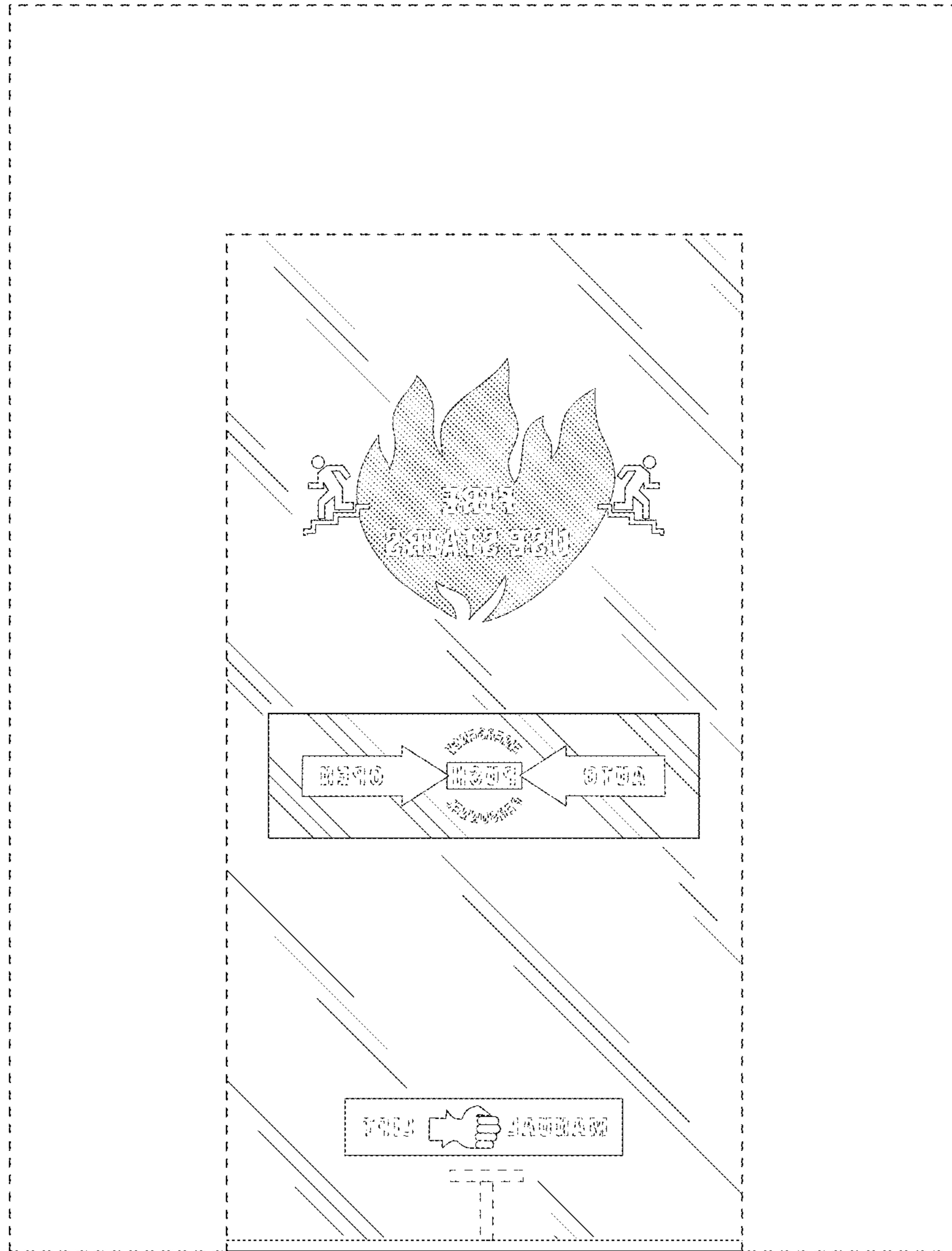


FIG. 10