



US00D810313S

(12) **United States Design Patent**
Cheung

(10) **Patent No.:** **US D810,313 S**

(45) **Date of Patent:** **** Feb. 13, 2018**

- (54) **VIBRATOR**
- (71) Applicant: **Lai Lam Cheung**, Ma On Shan (HK)
- (72) Inventor: **Lai Lam Cheung**, Ma On Shan (HK)
- (73) Assignee: **BRANDCORE LTD**, Tortola (VG)
- (**) Term: **15 Years**
- (21) Appl. No.: **29/559,886**
- (22) Filed: **Mar. 31, 2016**
- (51) **LOC (11) Cl.** **28-03**
- (52) **U.S. Cl.**
USPC **D24/215**
- (58) **Field of Classification Search**
USPC D24/200, 211, 212, 213, 214, 215;
601/19, 27-32, 46-48, 52, 99, 112-113,
601/118, 135, 137, DIG. 12, DIG. 14,
601/DIG. 15, DIG. 16, DIG. 17;
D30/160; D11/26, 28, 29
CPC A61H 19/00; A61H 19/30; A61H 19/32;
A61H 19/34; A61H 19/40; A61H 19/44;
A61H 19/50; A61H 2015/0007; A61H
2015/0014; A61H 2015/0042; A61H
15/00; A61H 7/003; A61H 7/005
See application file for complete search history.

D384,417 S *	9/1997	Zurbay	D24/200
5,690,603 A *	11/1997	Kain	A61H 19/34 600/38
D530,823 S *	10/2006	Sevier	D24/200
7,530,944 B1 *	5/2009	Kain	A61H 19/34 600/38
D596,307 S *	7/2009	Stewart	D24/214
D599,486 S *	9/2009	Stewart	D24/214
D604,425 S *	11/2009	Stewart	D24/214
D621,505 S *	8/2010	Gabbay	D24/141
D626,248 S *	10/2010	Gotzen	D24/215
7,998,057 B2 *	8/2011	Kain	A61H 19/44 600/38
D694,420 S *	11/2013	Cole	D24/215
D719,665 S *	12/2014	Callow	D24/214
D742,025 S *	10/2015	Callow	D24/214
2007/0149903 A1 *	6/2007	Nan	A61H 19/34 601/72
2008/0091128 A1 *	4/2008	Nan	A61H 7/001 601/70

* cited by examiner

Primary Examiner — Sandra Snapp
(74) *Attorney, Agent, or Firm* — Richard E. Oney; Tiffany & Bosco, P.A.

(57) **CLAIM**

The ornamental design for a vibrator, as shown and described.

DESCRIPTION

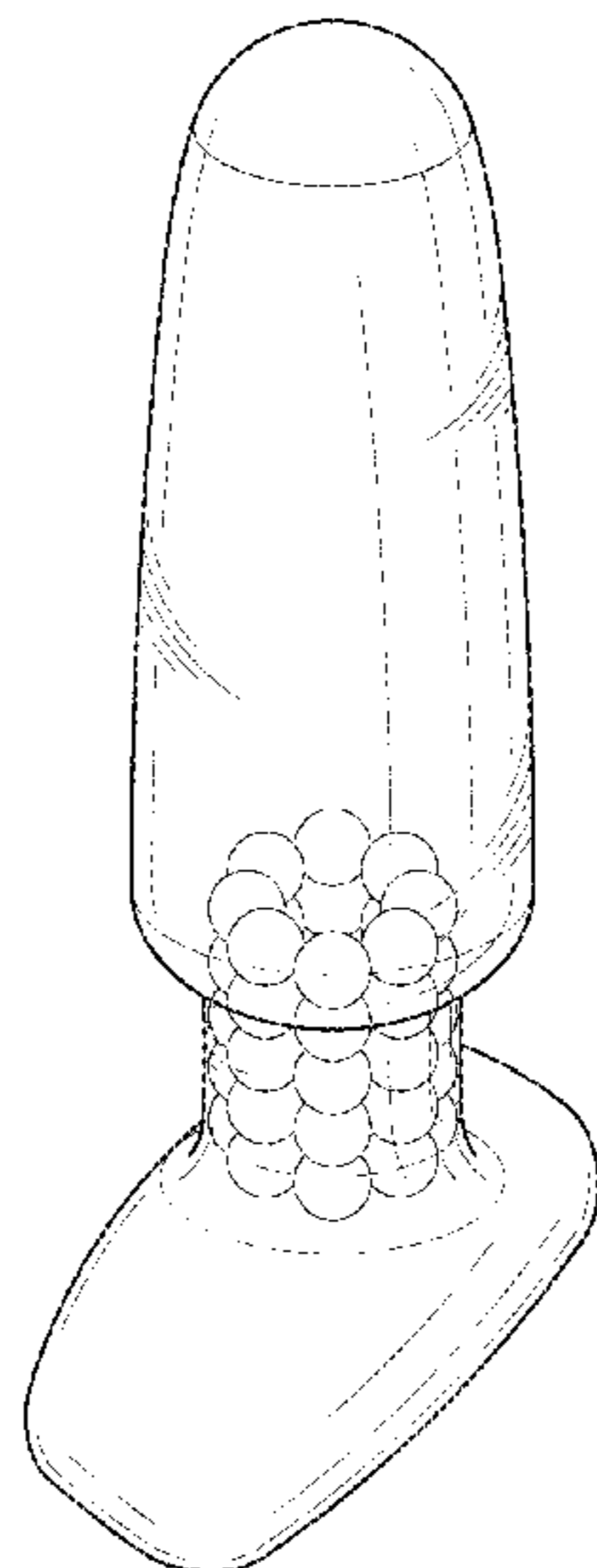
FIG. 1 is a perspective view of a vibrator with the ornamental design;
FIG. 2 is a front elevation view of the vibrator of FIG. 1;
FIG. 3 is a side elevation view of the vibrator of FIG. 1;
FIG. 4 is a top plan view of the vibrator of FIG. 1; and,
FIG. 5 is a bottom plan view of the vibrator of FIG. 1.
The broken lines shown in the drawings are for illustrative purposes only and form no part of the claimed design.

1 Claim, 4 Drawing Sheets

(56) **References Cited**

U.S. PATENT DOCUMENTS

D234,543 S *	3/1975	Foster	D24/214
3,996,930 A *	12/1976	Sekulich	A61H 19/34 600/38
4,241,912 A *	12/1980	Mercer	A63B 23/20 482/91
4,574,791 A *	3/1986	Mitchener	A63B 23/20 482/122
D371,442 S *	7/1996	Semyonova	D24/214
D384,156 S *	9/1997	Kain	D24/200



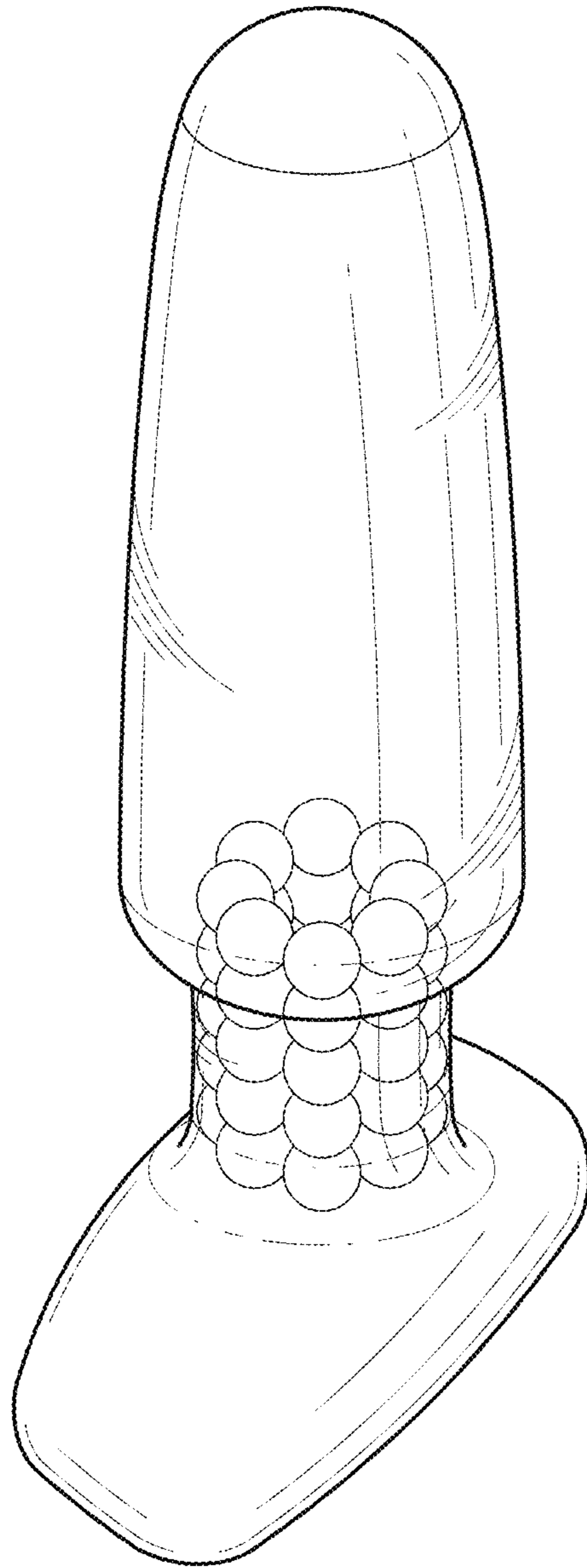


FIG. 1

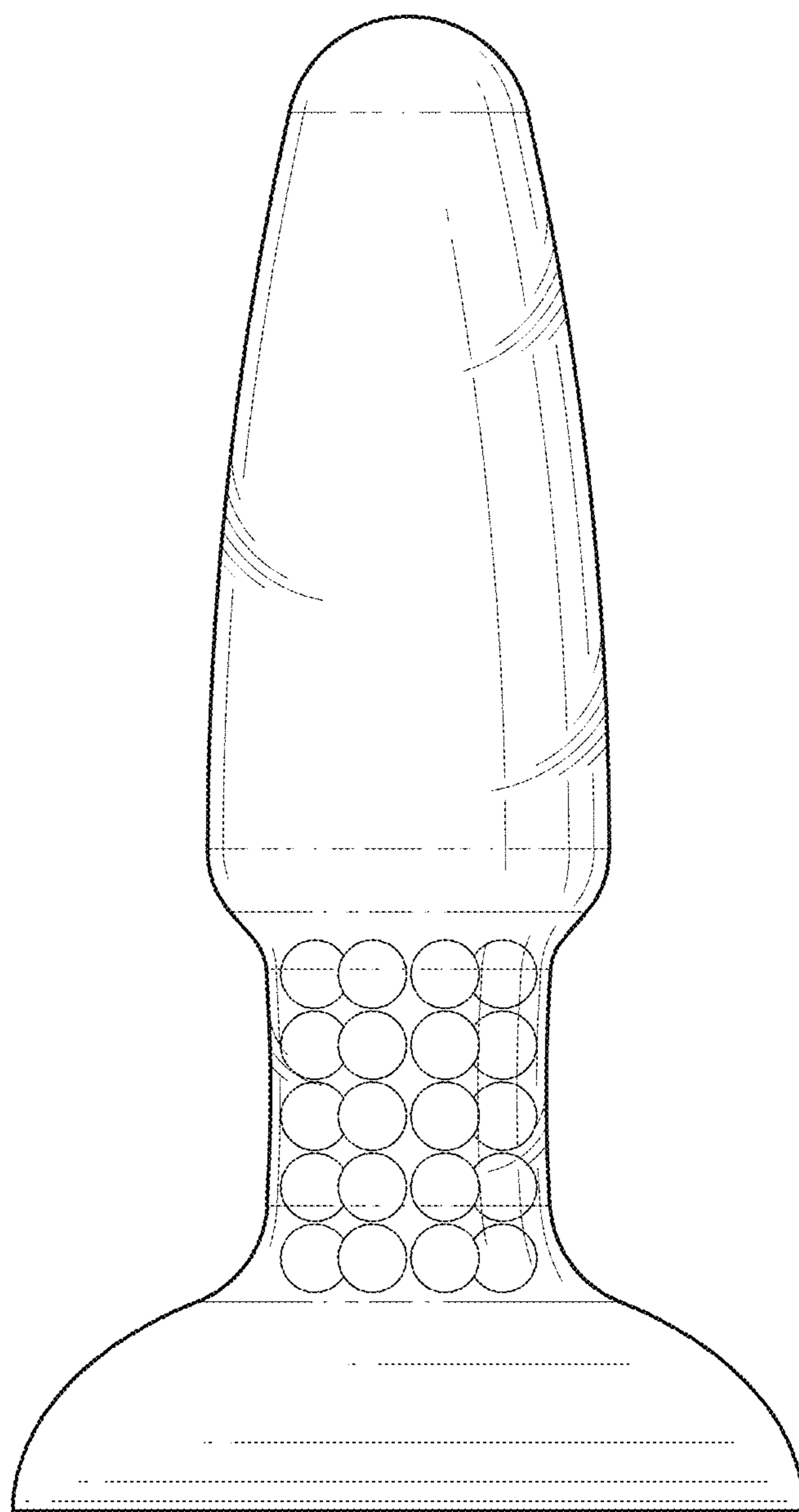


FIG. 2

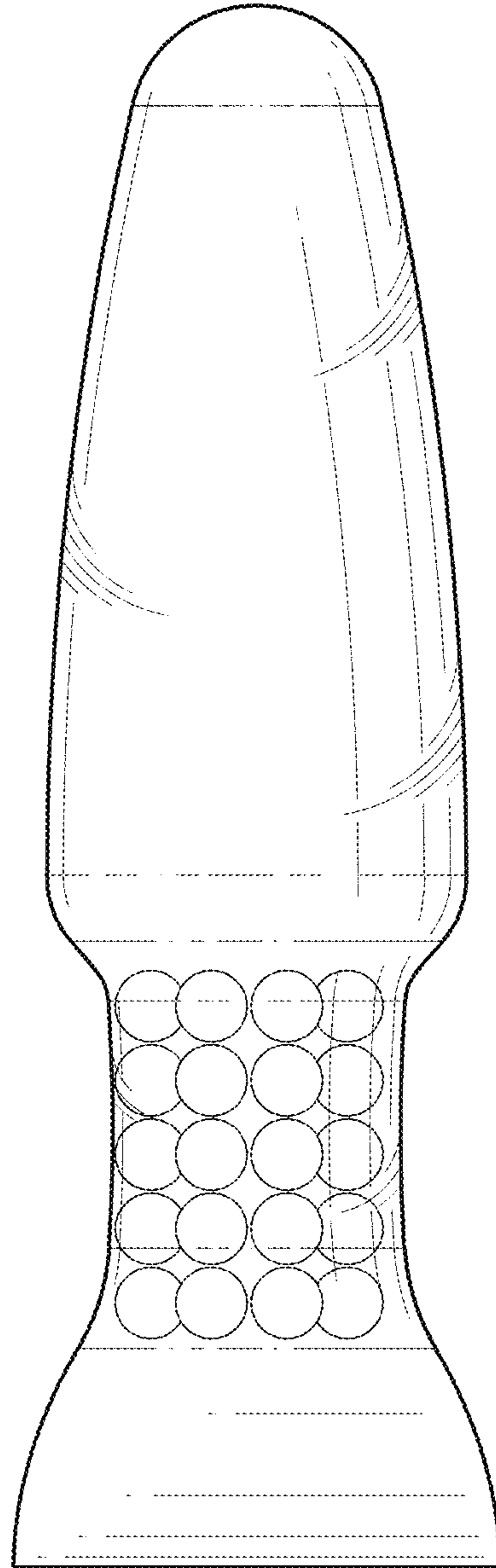


FIG. 3

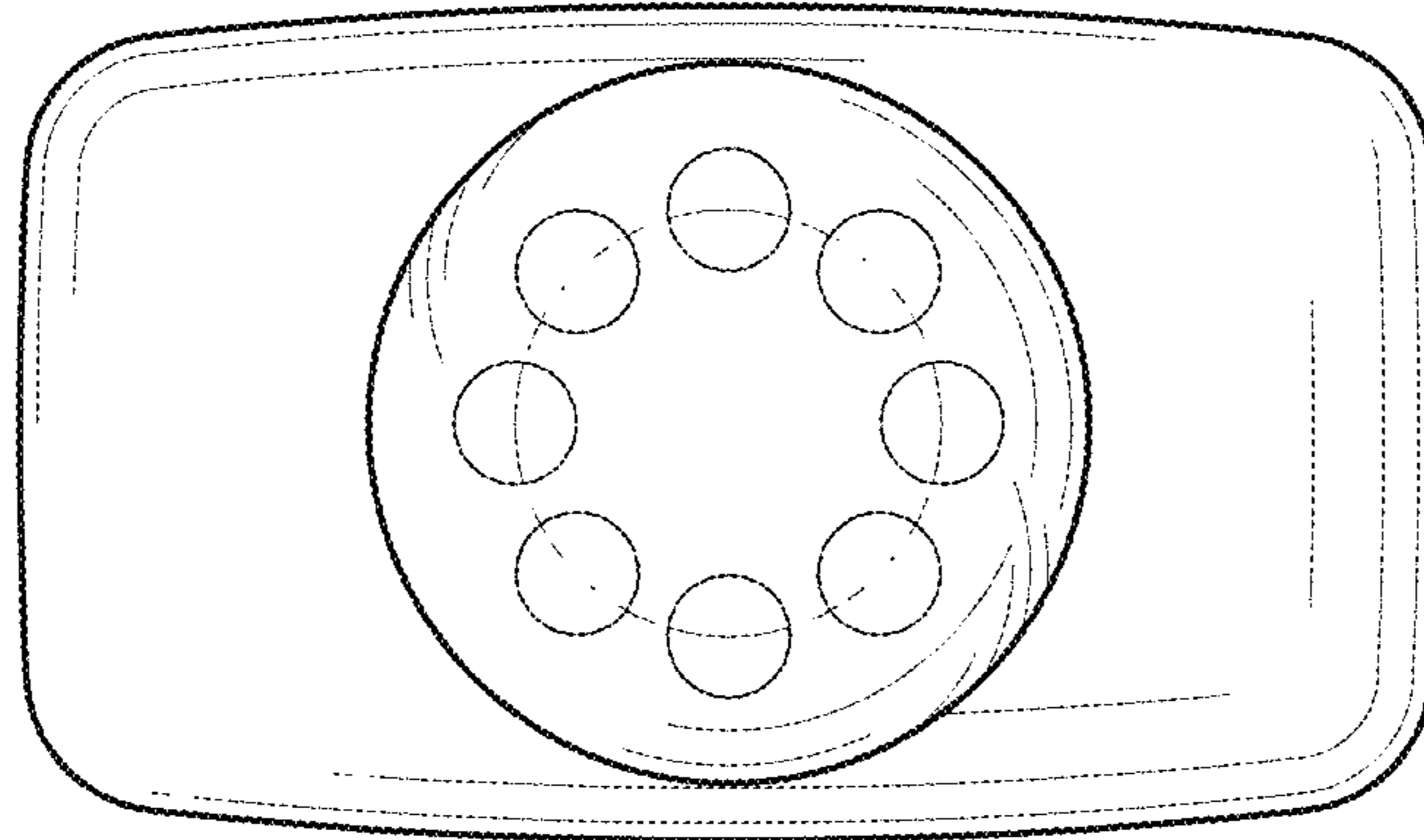


FIG. 4

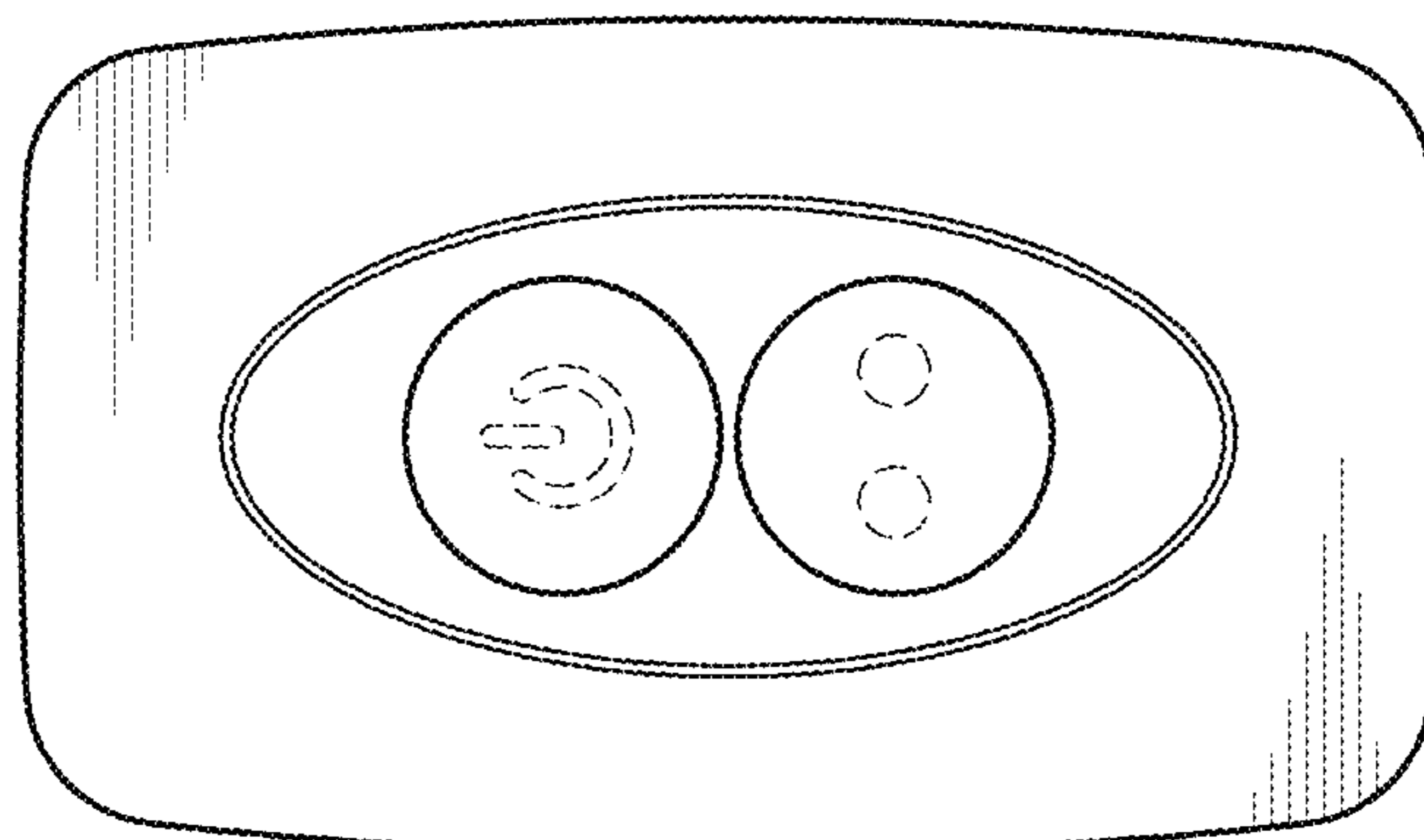


FIG. 5