



US00D810309S

(12) **United States Design Patent**
Forbes et al.

(10) **Patent No.:** **US D810,309 S**
(45) **Date of Patent:** **** Feb. 13, 2018**

- (54) **KNEE BRACE**
- (71) Applicant: **OSSUR HF**, Reykjavik (IS)
- (72) Inventors: **James Forbes**, Foothill Ranch, CA (US); **Brice Robertson**, Foothill Ranch, CA (US)
- (73) Assignee: **OSSUR HF**, Reykjavik (IS)
- (**) Term: **15 Years**
- (21) Appl. No.: **29/562,183**
- (22) Filed: **Apr. 22, 2016**

3,406,406 A 10/1968 Lutz
 3,703,171 A * 11/1972 Schiavitto A41D 13/065
 2/24
 3,789,842 A 2/1974 Froimson
 (Continued)

FOREIGN PATENT DOCUMENTS

CA 2 038 948 A1 2/1991
 DE 30 28 381 A1 2/1982
 (Continued)

OTHER PUBLICATIONS

Catalog: Ossur, "Ossur Is Orthopaedic Solutions", www.ossurzom, 9 pages 2008.

(Continued)

Related U.S. Application Data

- (60) Division of application No. 29/493,914, filed on Jun. 16, 2014, now Pat. No. Des. 758,598, which is a division of application No. 29/435,121, filed on Oct. 19, 2012, now Pat. No. Des. 710,018, which is a continuation-in-part of application No. 29/397,987, filed on Jul. 25, 2011, now abandoned.
- (51) **LOC (11) Cl.** **24-01**
- (52) **U.S. Cl.**
USPC **D24/190**
- (58) **Field of Classification Search**
USPC D24/188-190; D29/121.1
CPC A61F 2005/0176; A61F 5/0123; A61F
13/085
See application file for complete search history.

Primary Examiner — George D. Kirschbaum
Assistant Examiner — Jennifer Watkins
 (74) *Attorney, Agent, or Firm* — Workman Nydegger

(57) **CLAIM**

The ornamental design for a knee brace, as shown and described.

DESCRIPTION

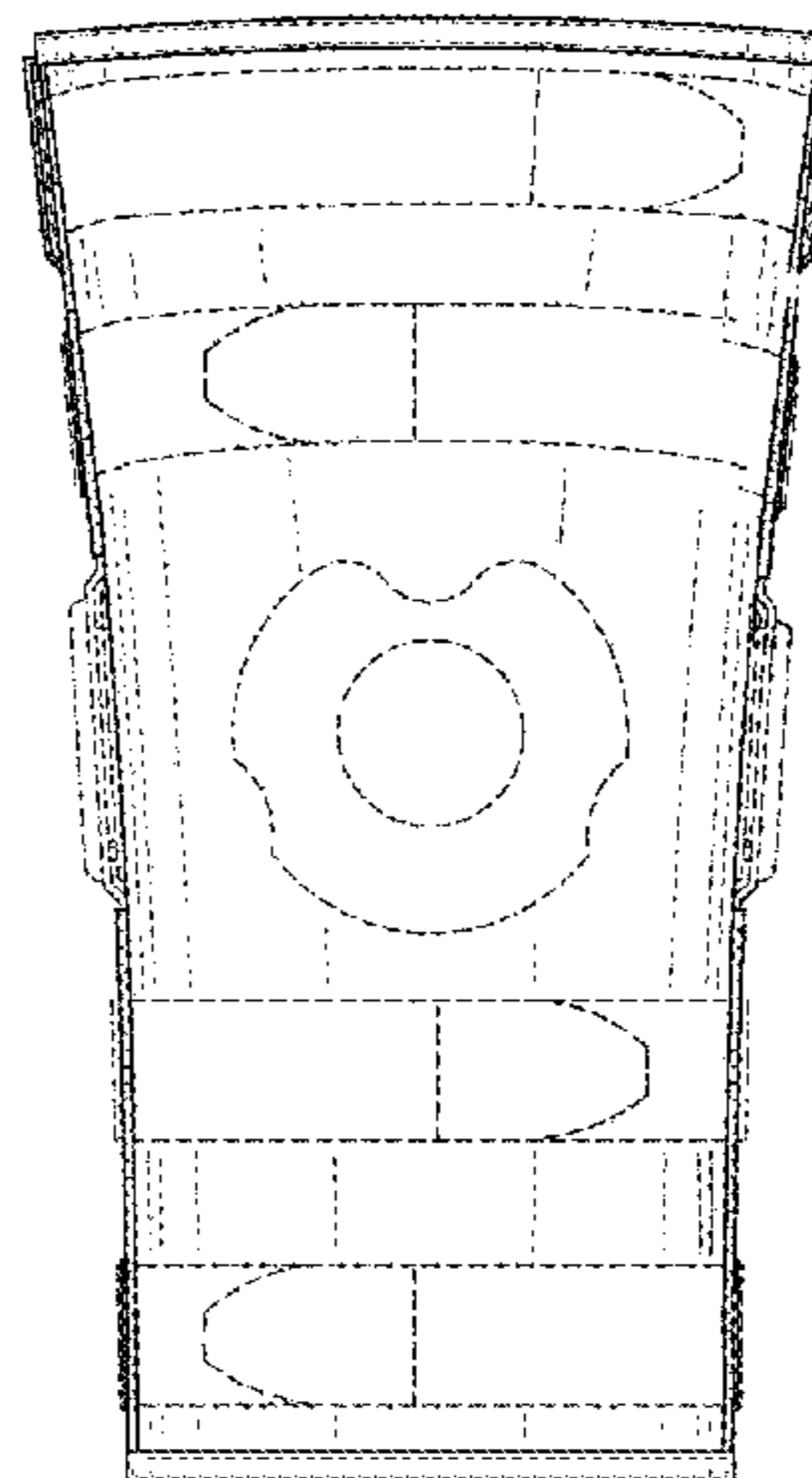
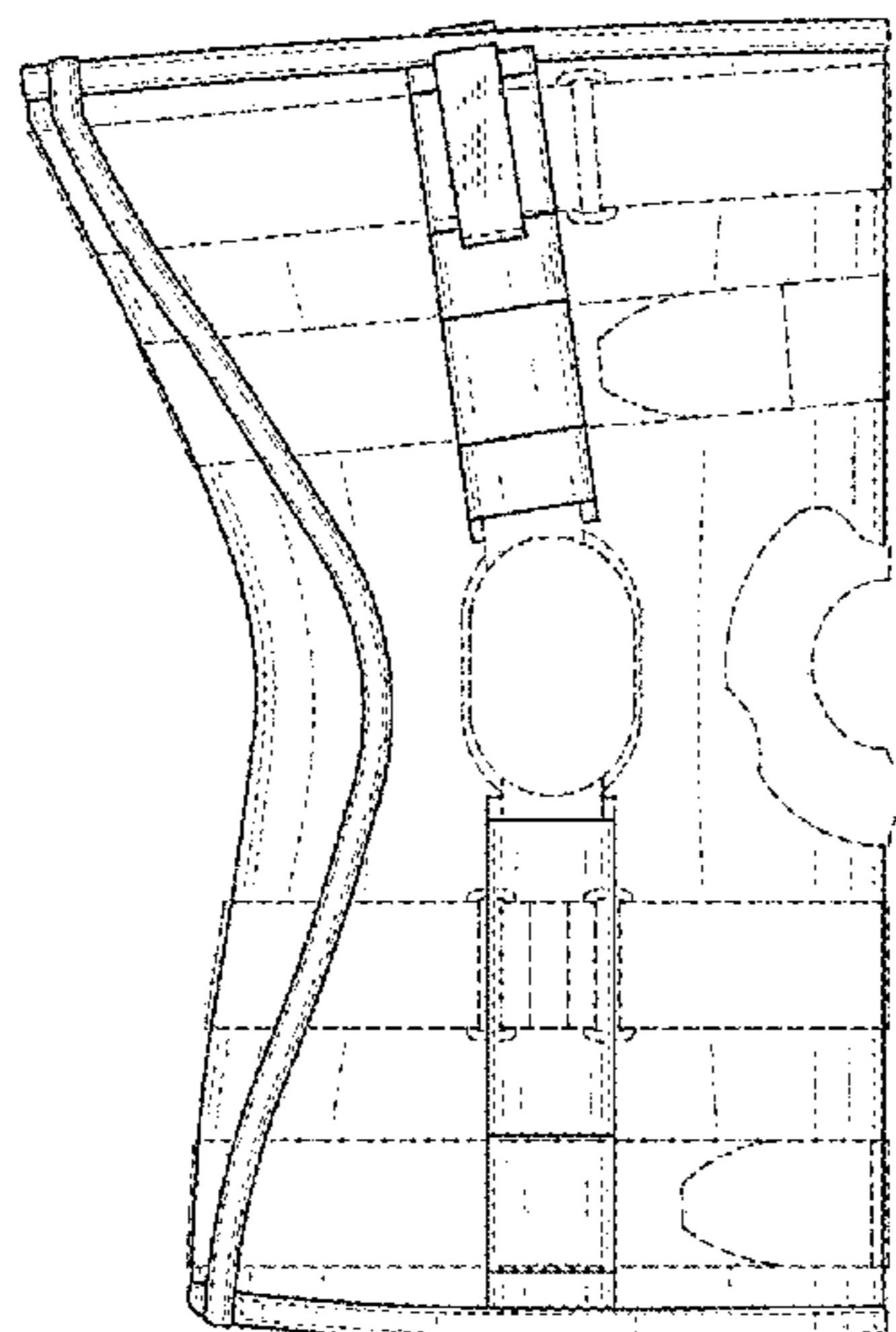
FIG. 1 is a first side elevational view of a knee brace, showing our design.
 FIG. 2 is a front elevational view of the knee brace of FIG. 1.
 FIG. 3 is a rear elevational view of the knee brace of FIG. 1.
 FIG. 4 is a second side elevational view of the knee brace of FIG. 1.
 FIG. 5 is a top view of the knee brace of FIG. 1; and, FIG. 6 is a bottom view of the knee brace of FIG. 1.
 The broken lines are included for the purpose of illustrating environmental structure and form no part of the claimed design.

1 Claim, 3 Drawing Sheets

(56) **References Cited**

U.S. PATENT DOCUMENTS

| | | |
|-------------|---------|-------------------|
| 116,236 A | 6/1871 | Stites |
| 663,749 A | 12/1900 | Gorse |
| 940,585 A | 11/1909 | Drennan |
| 2,188,718 A | 1/1940 | Jung |
| 2,524,326 A | 10/1950 | Murphy |
| 3,046,981 A | 7/1962 | Biggs, Jr. et al. |
| 3,084,685 A | 4/1963 | Lewis |



(56)

References Cited

U.S. PATENT DOCUMENTS

3,945,046 A 3/1976 Stromgren
 4,084,584 A 4/1978 Detty
 4,099,269 A 7/1978 Porner
 4,116,236 A 9/1978 Albert
 4,201,203 A 5/1980 Applegate
 4,287,885 A 9/1981 Applegate
 4,296,744 A 10/1981 Palumbo
 4,425,912 A 1/1984 Harper
 4,445,505 A 5/1984 Labour et al.
 4,474,573 A 10/1984 Detty
 4,479,272 A 10/1984 Beldzisky
 4,607,628 A 8/1986 Dashefsky
 4,632,106 A 12/1986 Gamm
 4,822,371 A 4/1989 Jolly et al.
 4,870,956 A 10/1989 Fatoool et al.
 4,908,037 A 3/1990 Ross
 4,941,462 A 7/1990 Lindberg
 5,024,216 A 6/1991 Shiono
 5,139,477 A 8/1992 Peters
 5,154,690 A 10/1992 Shiono
 5,168,577 A 12/1992 Detty
 5,263,923 A 11/1993 Fujimoto
 5,277,697 A 1/1994 France et al.
 5,367,708 A 11/1994 Fujimoto
 5,382,223 A 1/1995 Springs
 5,399,153 A 3/1995 Caprio, Jr. et al.
 5,417,646 A 5/1995 Gauvry
 5,419,161 A 5/1995 Bodenschatz et al.
 5,462,517 A 10/1995 Mann
 5,474,524 A 12/1995 Carey
 5,593,454 A 1/1997 Helmy
 5,603,122 A 2/1997 Kania
 5,643,185 A 7/1997 Watson et al.
 5,695,452 A 12/1997 Grim et al.
 5,759,167 A 6/1998 Shields, Jr. et al.
 5,792,084 A 8/1998 Wilson et al.
 5,823,981 A 10/1998 Grim et al.
 5,865,166 A 2/1999 Fitzpatrick et al.
 5,865,776 A 2/1999 Springs
 5,865,777 A 2/1999 Detty
 D406,677 S 3/1999 Koschmann et al.
 5,925,101 A 7/1999 Bayless et al.
 5,944,682 A 8/1999 Milana-Panopoulos
 6,063,048 A 5/2000 Bodenschatz et al.
 6,080,121 A 6/2000 Madow et al.
 6,149,690 A 11/2000 Belzidsky
 6,287,269 B1 9/2001 Osti et al.
 6,551,264 B1 4/2003 Cawley et al.
 6,592,539 B1 7/2003 Einarsson et al.
 D510,140 S 9/2005 Brown

7,004,919 B2 2/2006 Gaylord et al.
 7,060,045 B2 6/2006 Mason et al.
 7,083,586 B2 8/2006 Simmons et al.
 7,273,464 B2 9/2007 Reinhardt
 D573,713 S 7/2008 Mueller et al.
 7,615,022 B2 11/2009 Nordt, III et al.
 7,708,708 B2 5/2010 Nordt, III et al.
 7,713,225 B2 5/2010 Ingimundarson et al.
 D618,358 S 6/2010 Avitable et al.
 7,749,181 B2 7/2010 Simmons et al.
 7,819,830 B2 10/2010 Sindel et al.
 7,862,528 B2 1/2011 Scott
 7,862,529 B2 1/2011 Brown
 7,867,183 B2 1/2011 Kazmierczak et al.
 7,959,590 B2 6/2011 Scott
 D683,465 S 5/2013 Forbes et al.
 D683,859 S 6/2013 Forbes et al.
 D750,262 S * 2/2016 Kusmirek D24/190
 D750,790 S * 3/2016 Ortega D24/190
 D758,598 S * 6/2016 Forbes D24/190
 D778,506 S * 2/2017 Matfus D29/121.1
 2001/0007929 A1 7/2001 Schlomski
 2003/0083605 A1 5/2003 Edmund
 2004/0153017 A1 8/2004 Simmons et al.
 2004/0225245 A1 11/2004 Nelson
 2006/0069337 A1 3/2006 Livolsi et al.
 2006/0094999 A1 5/2006 Cropper
 2008/0139985 A1 6/2008 Gilmour
 2008/0300524 A1 12/2008 Scott
 2009/0131844 A1 5/2009 Dean et al.
 2009/0156973 A1 6/2009 Scott
 2009/0312681 A1 12/2009 McSpadden et al.
 2011/0137220 A1 6/2011 Vollbrecht et al.
 2012/0165713 A1 6/2012 Forbes et al.

FOREIGN PATENT DOCUMENTS

DE 34 16 231 A1 11/1985
 DE 35 19 677 A1 12/1986
 EP 0 498 062 A1 8/1992
 EP 0 835 645 A1 4/1998
 EP 1 114 630 A1 7/2001
 FR 2 606 998 A1 5/1988
 WO 81/01240 A1 5/1981
 WO 91/01704 A1 2/1991
 WO 2006/073353 A1 7/2006

OTHER PUBLICATIONS

Partial International Search Report from International Application No. PCT/US2011/065749, mailed Apr. 2, 2012.

* cited by examiner

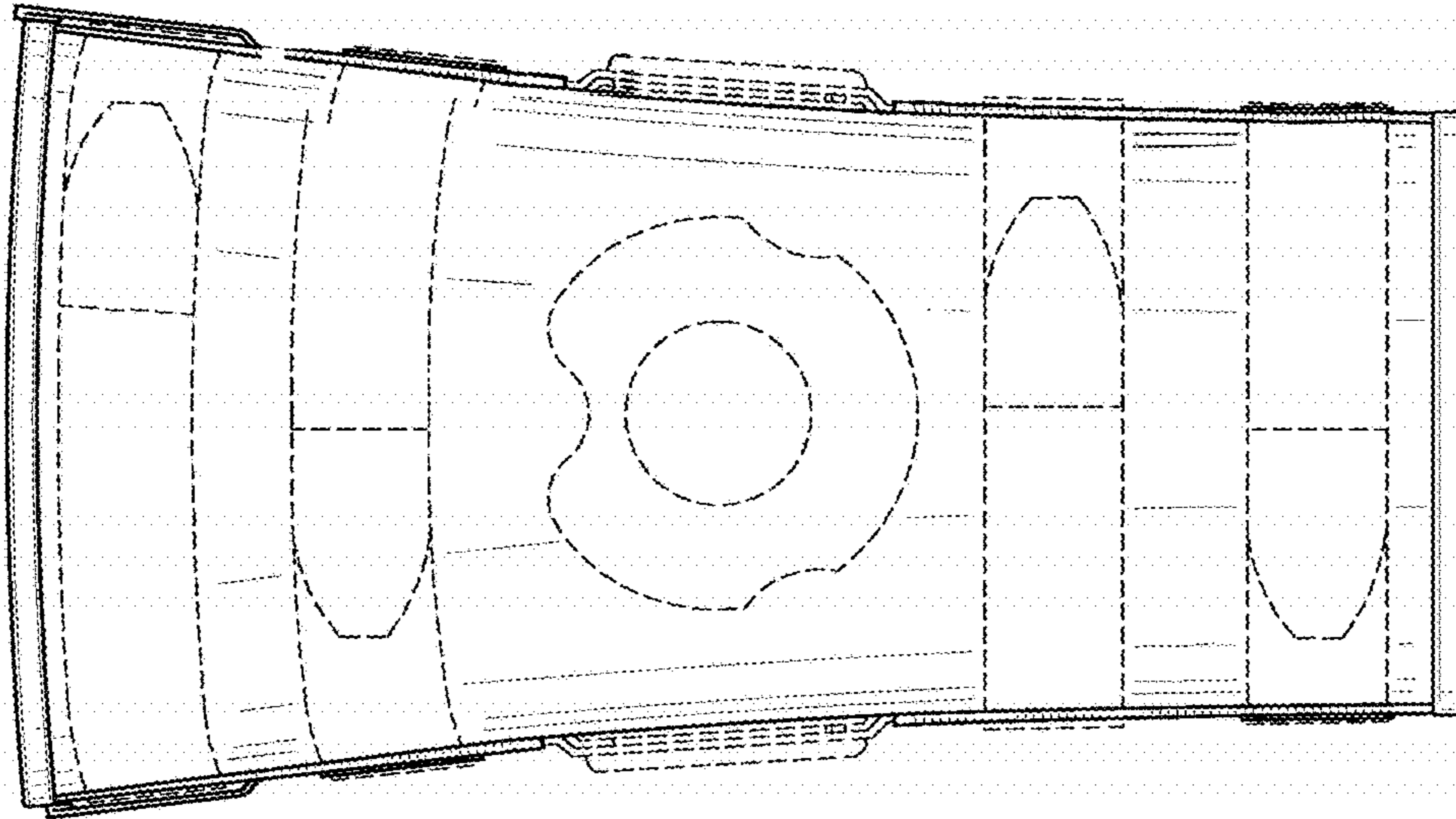


FIG. 2

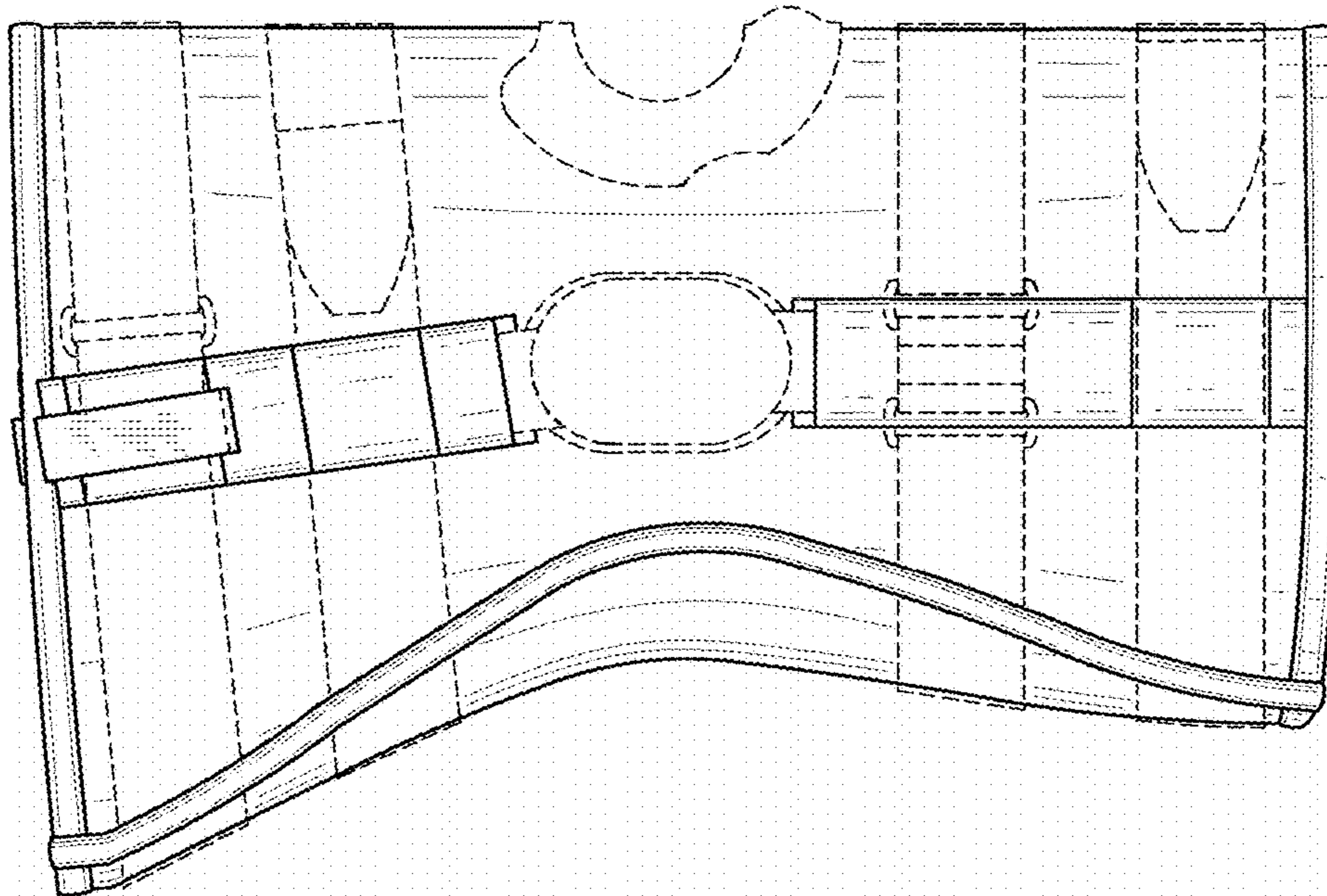


FIG. 1

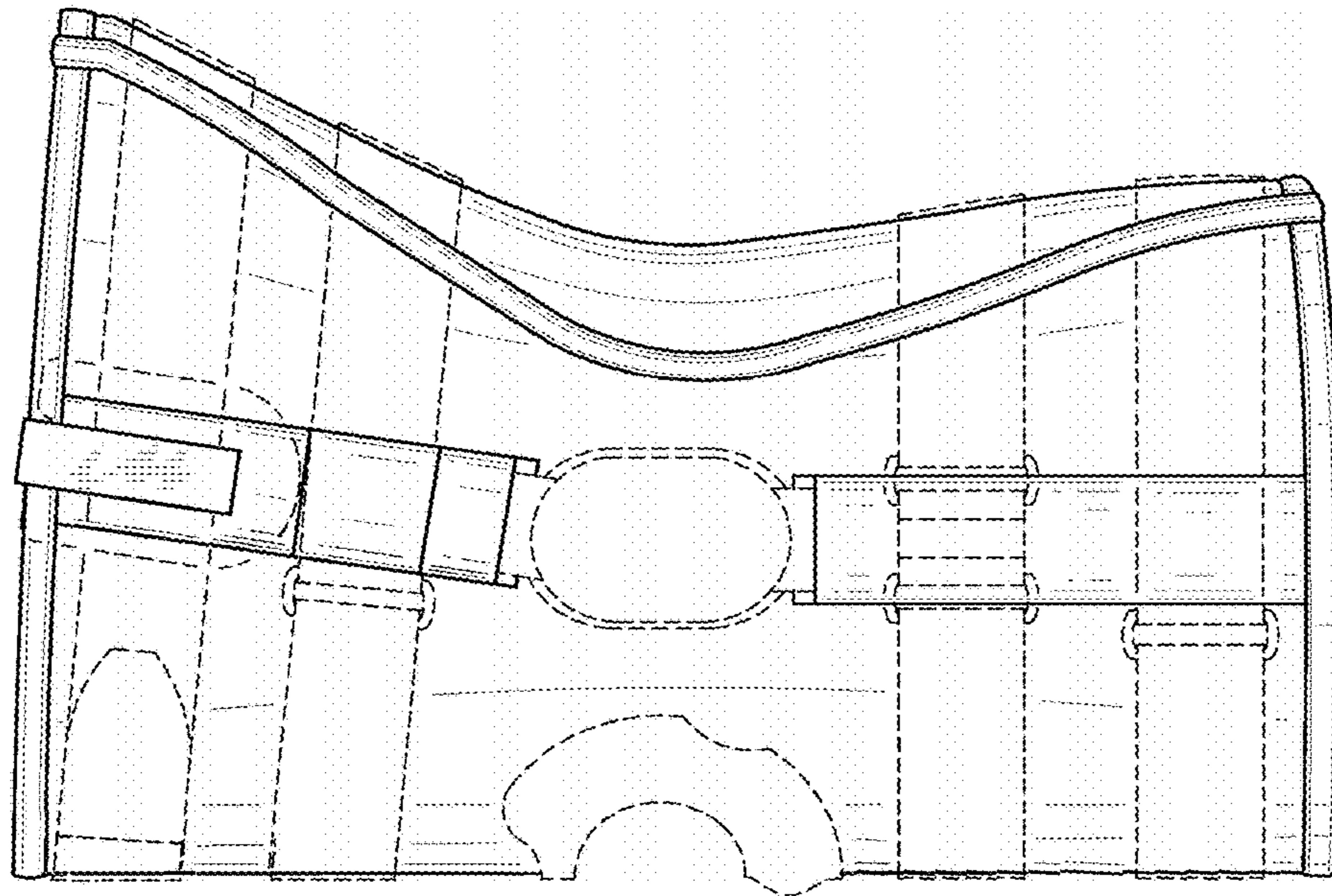


FIG. 4

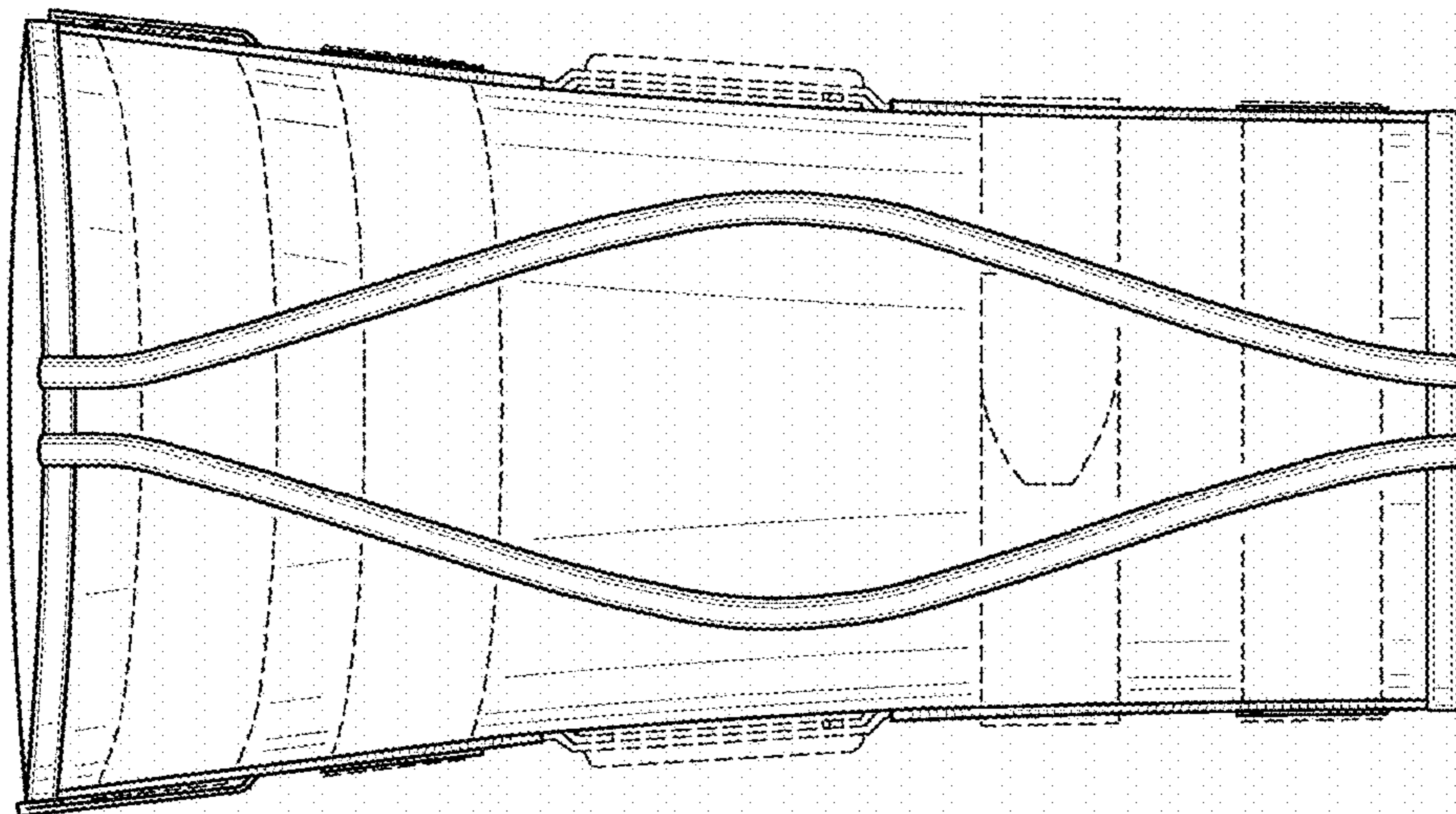


FIG. 3

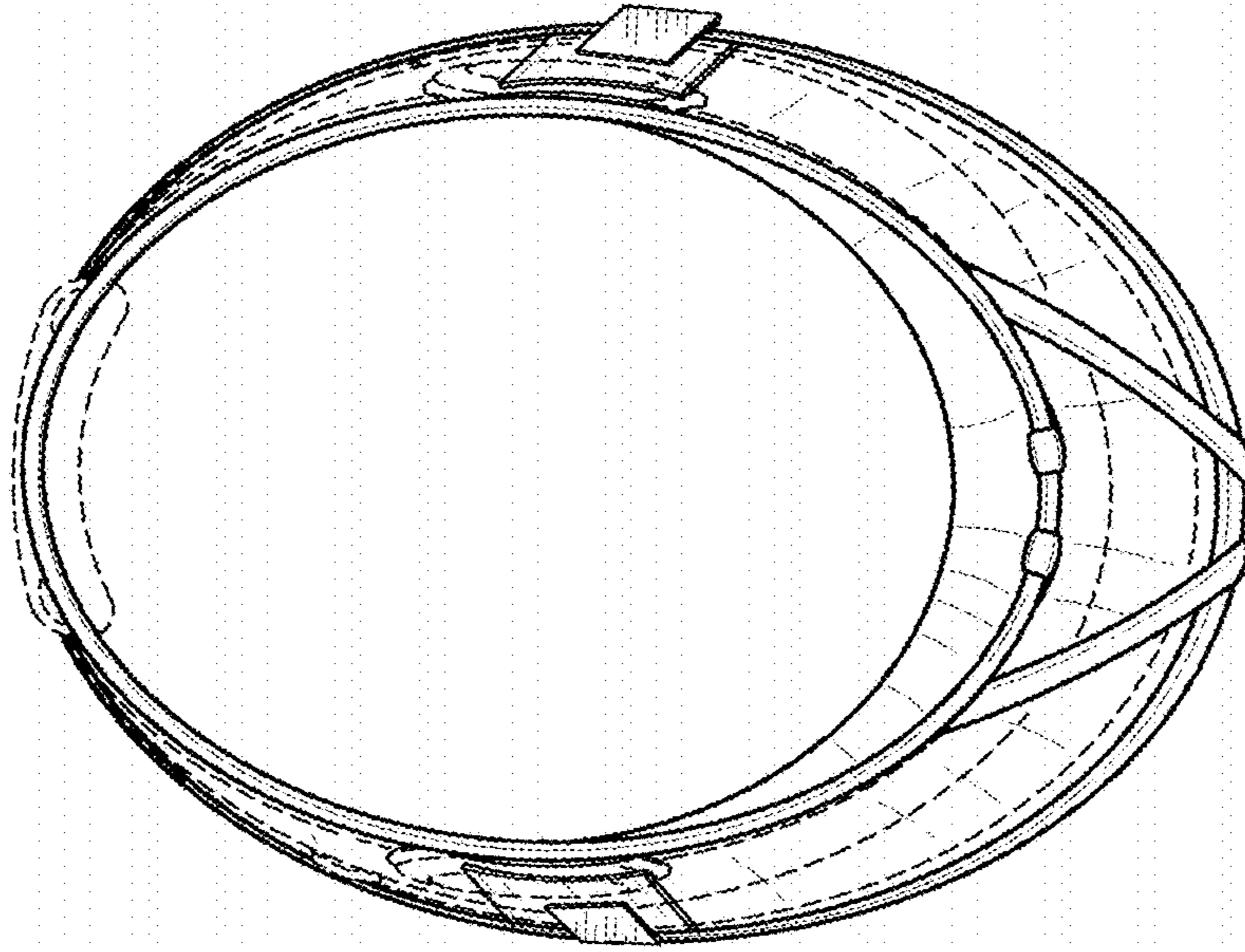


FIG. 6

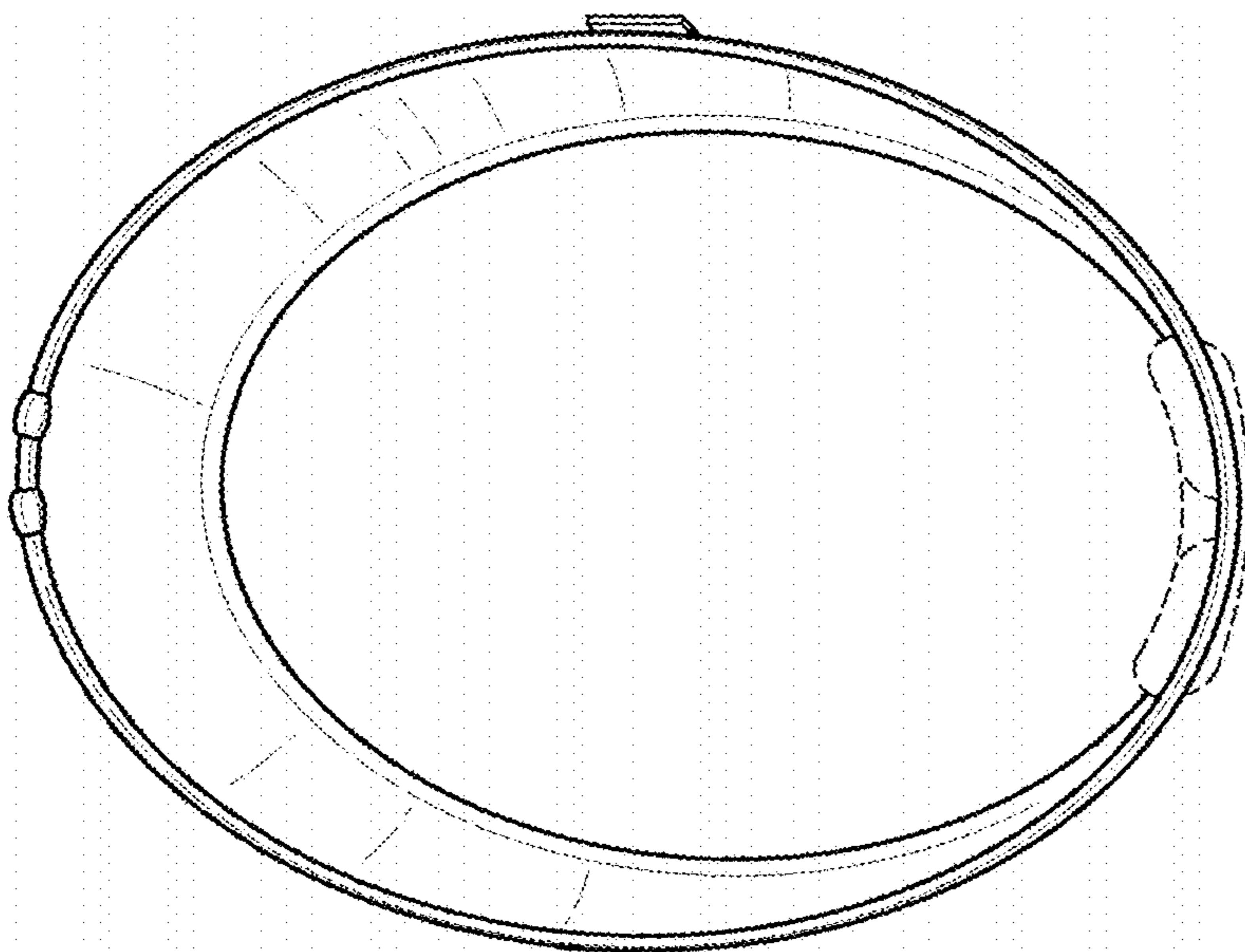


FIG. 5