



US00D810308S

(12) **United States Design Patent** (10) **Patent No.:** **US D810,308 S**  
**Lind et al.** (45) **Date of Patent:** **\*\* Feb. 13, 2018**

(54) **SUPPORT PATCH**  
(71) Applicant: **3M INNOVATIVE PROPERTIES COMPANY**, St. Paul, MN (US)  
(72) Inventors: **Jason S. Lind**, Woodbury, MN (US); **Diane L. Emslander**, City of Grant, MN (US); **Dominic J. Julian**, Woodbury, MN (US)  
(73) Assignee: **3M INNOVATIVE PROPERTIES COMPANY**, St. Paul, MN (US)

D360,944 S \* 8/1995 Juma ..... D24/124  
D481,131 S \* 10/2003 Saim ..... D24/189  
D483,491 S \* 12/2003 Grady ..... D24/189  
D484,984 S \* 1/2004 Takizawa ..... D24/189  
D493,000 S \* 7/2004 Grady ..... D24/189  
D662,203 S \* 6/2012 Smith ..... A61F 5/08  
D24/135  
2004/0147988 A1 \* 7/2004 Stephens ..... A61F 7/02  
607/108  
2016/0278455 A1 \* 9/2016 Johnson ..... A41D 13/065  
2017/0021134 A1 \* 1/2017 Dambkowski ..... A61M 25/02

\* cited by examiner

(\*\*) Term: **15 Years**

*Primary Examiner* — Thomas Johannes

(21) Appl. No.: **29/586,383**

*Assistant Examiner* — Samantha Q Lawrence

(22) Filed: **Dec. 2, 2016**

(74) *Attorney, Agent, or Firm* — Irina Hass

(51) **LOC (11) Cl.** ..... **24-02**

(52) **U.S. Cl.**  
USPC ..... **D24/189**

(57) **CLAIM**

(58) **Field of Classification Search**

The ornamental design for a support patch, as shown and described.

USPC ..... D24/190, 191, 192, 124, 125, 126, 135, D24/189; D2/641, 642, 864; D7/683, D7/684, 685, 686, 687, 688, 689, 690, D7/691, 692; D8/15, 16, 10, 11, 19; D19/37, 39, 101; D20/10, 11, 27; D16/301; D6/592, 644, 650, 707.22; D28/7; 602/901; 450/37, 81; 128/888, 128/889, 890  
CPC ..... A41D 13/065; A41D 13/08; A41D 13/05; A41D 13/0568; A61M 2210/0618; A61M 2025/0226; A61M 25/02; A63B 71/12; A63B 2209/10

**DESCRIPTION**

See application file for complete search history.

FIG. 1 is a perspective view showing a new design for a support patch;

FIG. 2 is a front view thereof;

FIG. 3 is a rear view thereof;

FIG. 4 is a top view thereof, a bottom view being a mirror image thereof; and,

FIG. 5 is a left side view thereof, a right side view being a mirror image thereof.

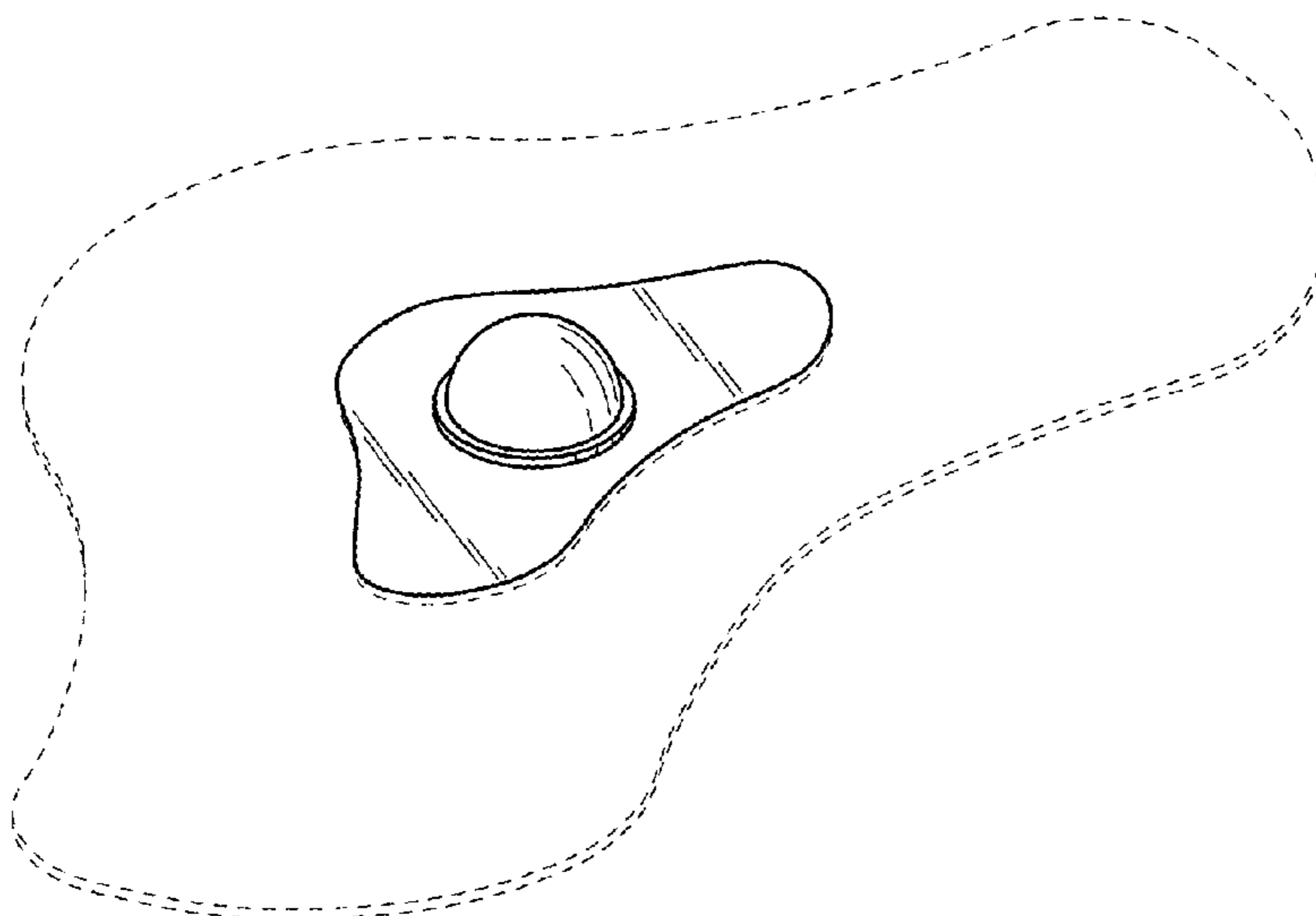
The portions of the support patch in FIGS. 1-5 shown in broken lines are included to show features that form no part of the claimed design.

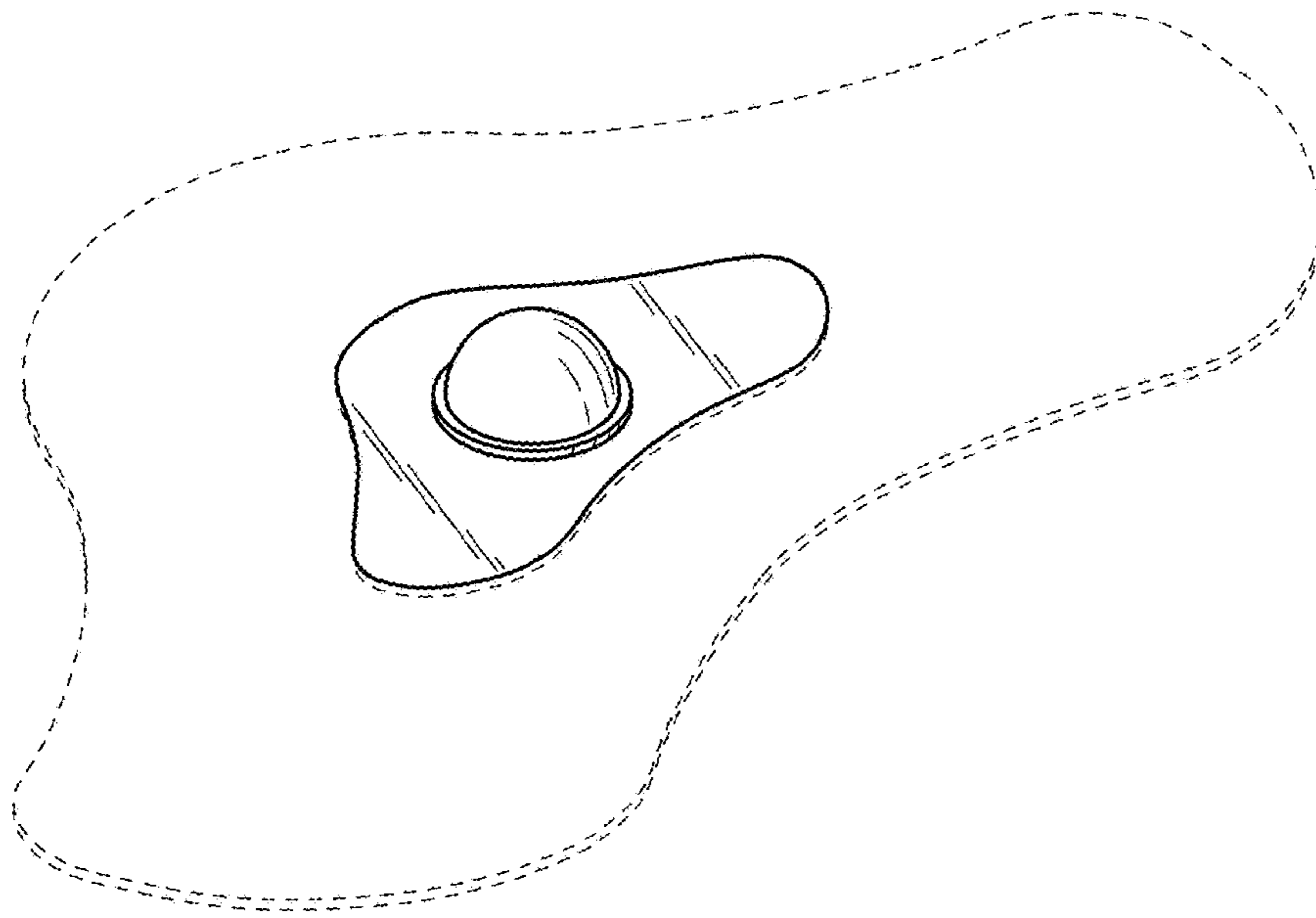
(56) **References Cited**

U.S. PATENT DOCUMENTS

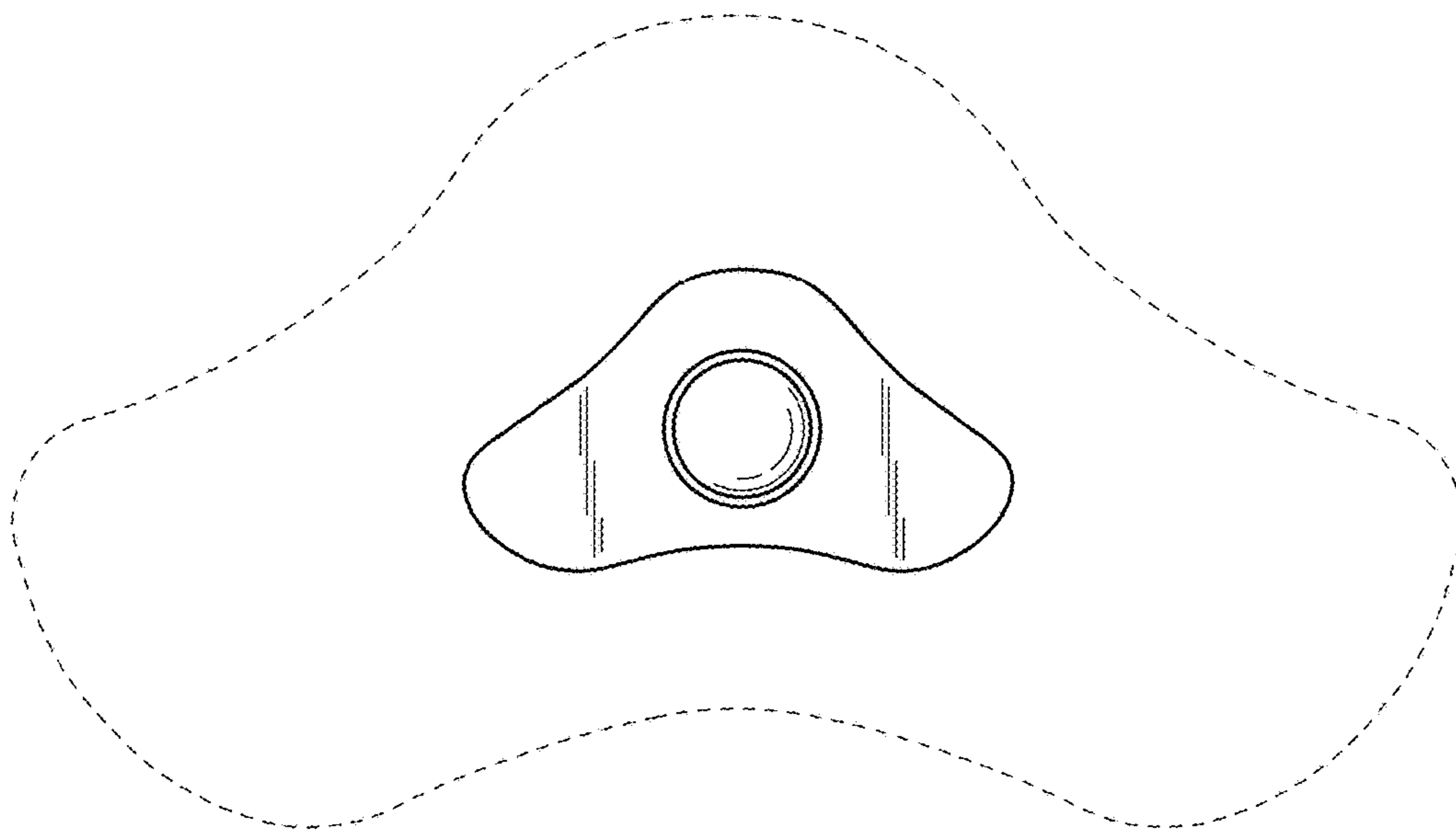
2,553,825 A \* 5/1951 Langs ..... A41C 3/065  
450/81  
4,667,666 A \* 5/1987 Fryslie ..... A61F 13/0226  
128/888

**1 Claim, 2 Drawing Sheets**

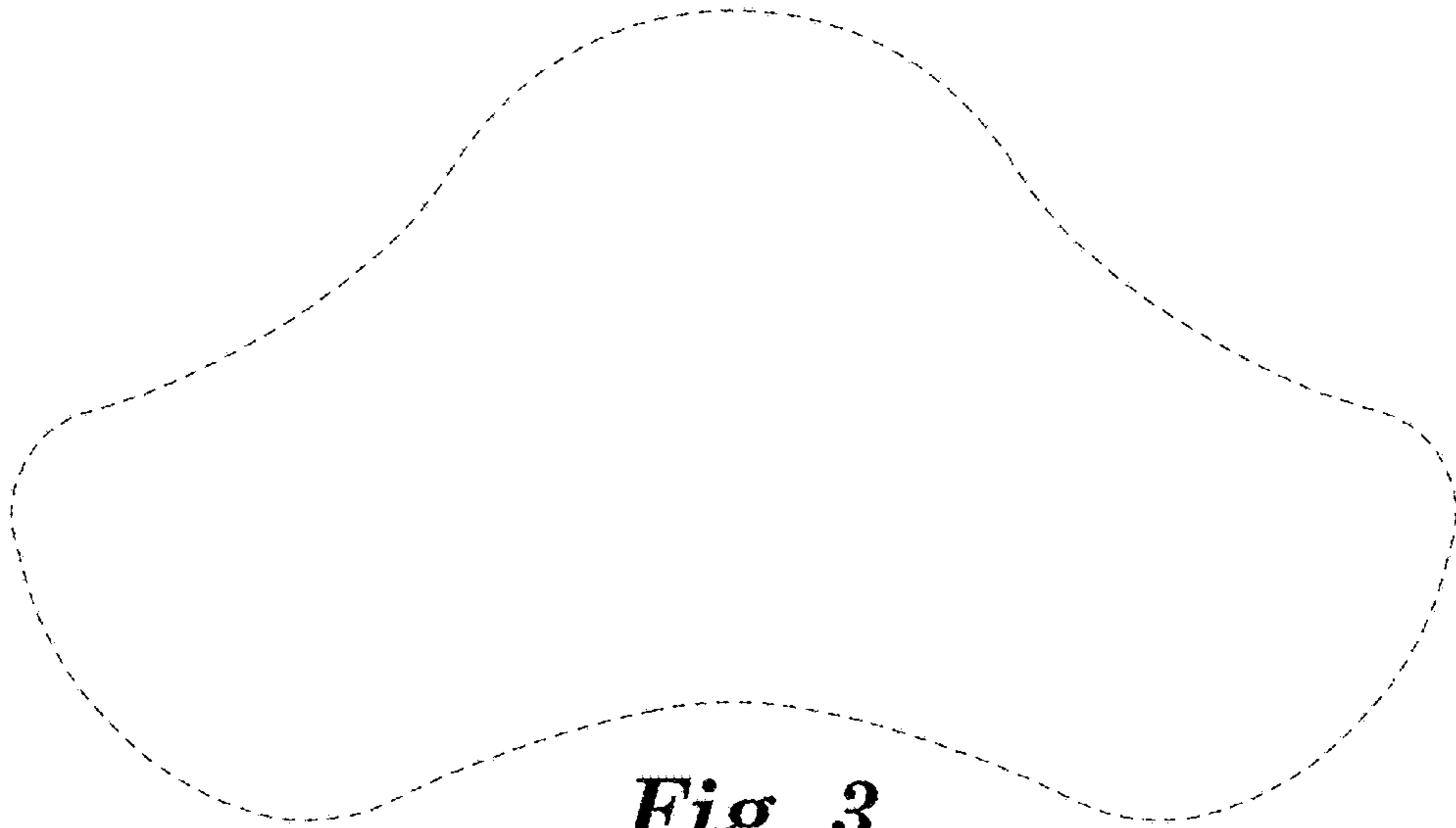




*Fig. 1*



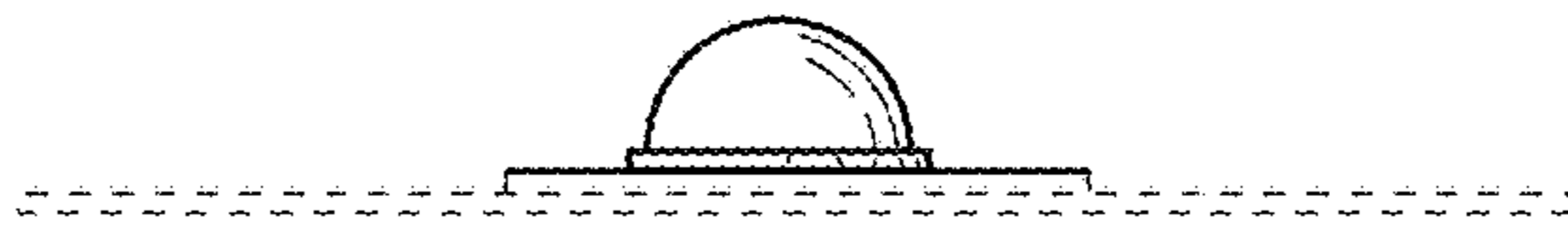
*Fig. 2*



*Fig. 3*



*Fig. 4*



*Fig. 5*