



US00D810307S

(12) **United States Design Patent**
Khatam et al.

(10) **Patent No.:** **US D810,307 S**
(45) **Date of Patent:** **** Feb. 13, 2018**

(54) **VITAL SIGNS MONITOR**

(71) Applicant: **OSLERMD, INC.**, San Diego, CA
(US)

(72) Inventors: **Bahman Khatam**, Escondido, CA
(US); **Michael Forlenza**, San Diego,
CA (US)

(73) Assignee: **OSLERMD, INC.**

(**) Term: **15 Years**

(21) Appl. No.: **29/565,954**

(22) Filed: **May 25, 2016**

(51) **LOC (11) Cl.** **24-02**

(52) **U.S. Cl.**
USPC **24/186**

(58) **Field of Classification Search**
USPC D24/107-108, 111, 144, 164-169,
D24/185-187; D10/50, 57, 81; 600/301,
600/481, 483-485, 509, 513, 519, 544,
600/591, 588
CPC A61B 5/021; A61B 5/002; A61B 5/0022;
A61B 5/0006; A61B 5/02055; A61B
5/029; A61B 5/742; A61B 5/6843; A61B
5/0205; A61B 5/02028; A61B 5/6826;
A61B 5/7278; A61B 5/7282

See application file for complete search history.

(56) **References Cited**

U.S. PATENT DOCUMENTS

D726,924 S *	4/2015	Tseng	D24/186
D783,835 S *	4/2017	Schon	D24/186
D783,836 S *	4/2017	Schon	D24/186
2017/0055846 A1 *	3/2017	Khatam	A61B 5/0205

* cited by examiner

Primary Examiner — Wan Laymon

Assistant Examiner — Mark Booker

(74) *Attorney, Agent, or Firm* — Mintz Levin Cohn Ferris
Glovsky and Popeo, P.C.

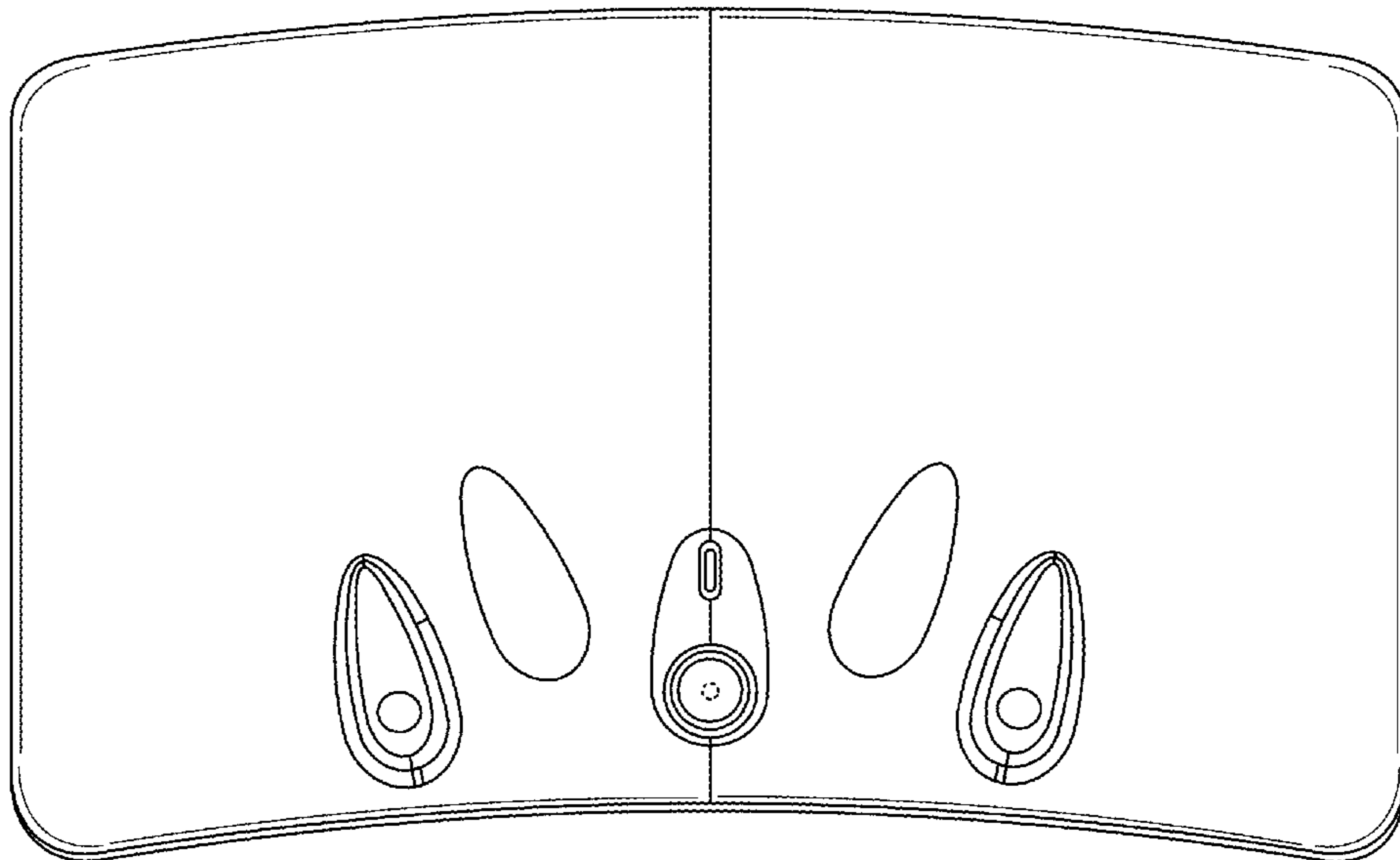
(57) **CLAIM**

The ornamental design for a vital signs monitor, as shown
and described.

DESCRIPTION

FIG. 1 shows a top view of the vital signs monitor that
incorporates the new, original, and ornamental design;
FIG. 2 shows a bottom view the vital signs monitor that
incorporates the new, original, and ornamental design;
FIG. 3 shows a side perspective view (the right and left side
views are the same) of the vital signs monitor that incorpo-
rates the new, original, and ornamental design;
FIG. 4 shows a perpendicular view of the left side of the vital
signs monitor that incorporates the new, original, and orna-
mental design;
FIG. 5 shows a perpendicular view of the right side of the
vital signs monitor that incorporates the new, original, and
ornamental design that incorporates the new, original, and
ornamental design.

1 Claim, 5 Drawing Sheets



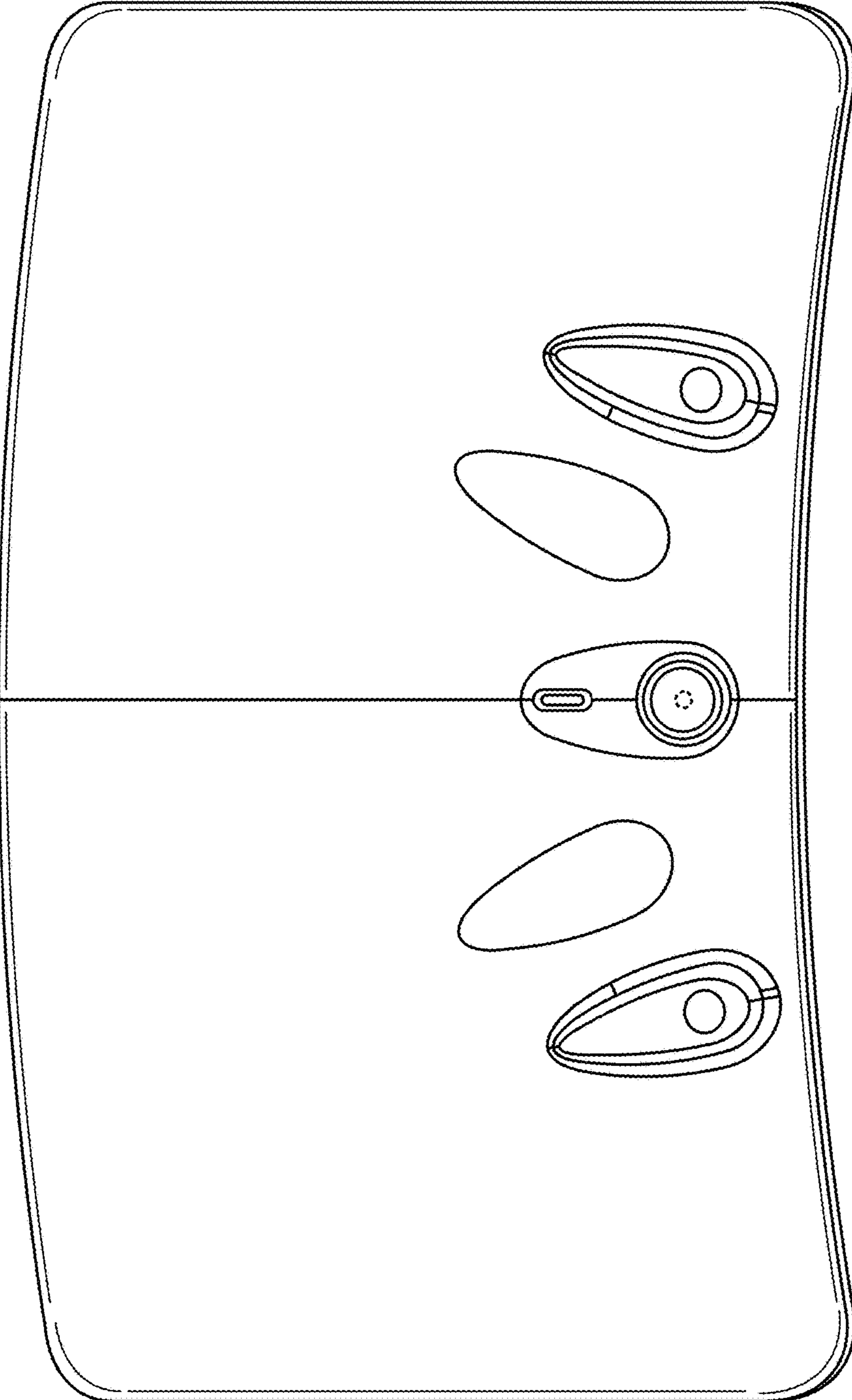


FIG. 1

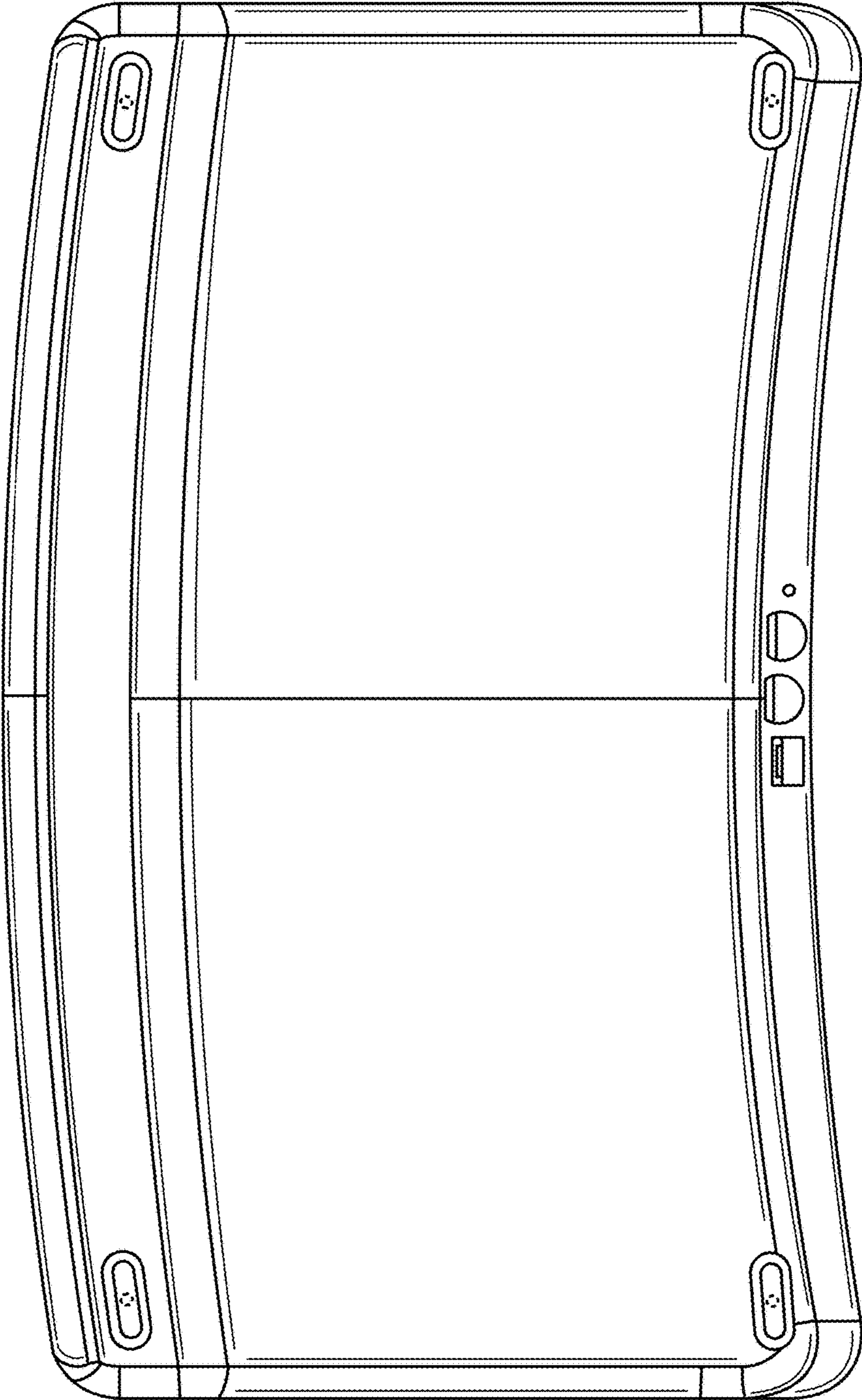


FIG. 2

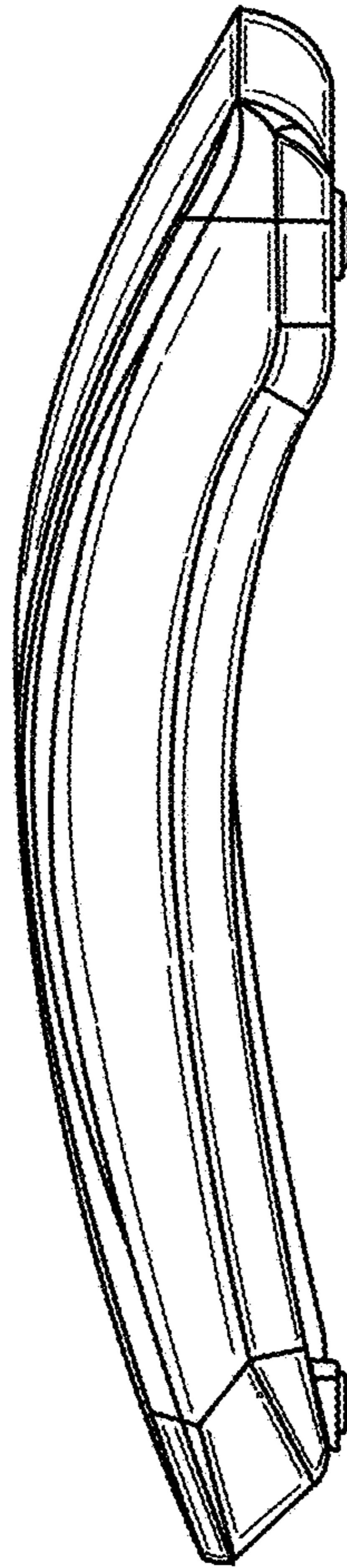


FIG. 3

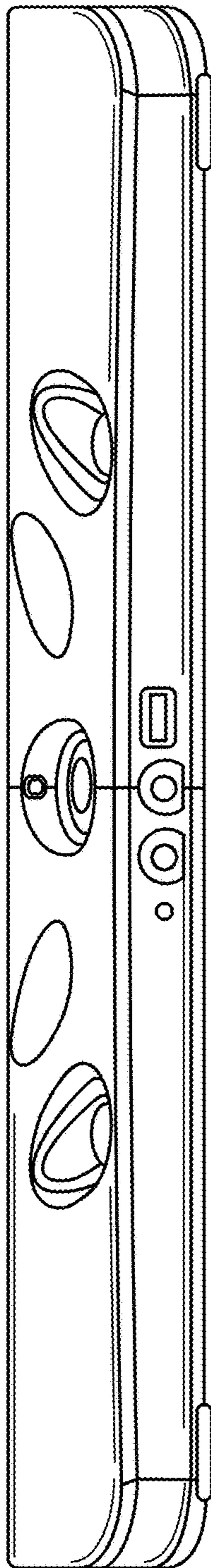


FIG. 4

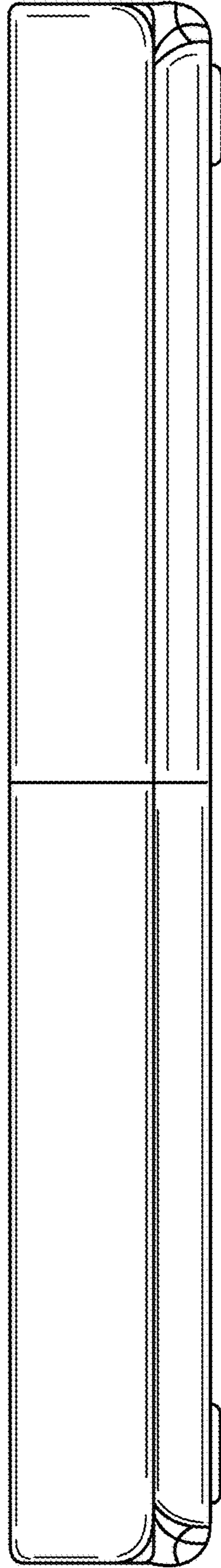


FIG. 5