



US00D810305S

(12) **United States Design Patent** (10) **Patent No.:** **US D810,305 S**
Zhang (45) **Date of Patent:** **** Feb. 13, 2018**

(54) **PUSHCART**
(71) Applicant: **BEIJING EAST WHALE IMAGE TECHNOLOGY CO., LTD.**, Beijing (CN)
(72) Inventor: **Qing Zhang**, Beijing (CN)
(73) Assignee: **BEIJING EAST WHALE IMAGE TECHNOLOGY CO., LTD.**, Beijing (CN)

D612,561 S * 3/2010 Hunter D34/14
D632,796 S * 2/2011 Ross D24/185
D632,797 S * 2/2011 Ross D24/185
D637,782 S * 5/2011 Steffens D34/14
D687,147 S * 7/2013 Yoshida D24/185
D687,149 S * 7/2013 Chang D24/185
D696,783 S * 12/2013 Chung D24/185
D707,360 S * 6/2014 Kim D24/185
D708,341 S * 7/2014 Ikegame D24/185
2004/0262867 A1* 12/2004 Arceta A61G 12/001
280/47.35
2015/0227127 A1* 8/2015 Miller G05B 19/042
700/244

(**) Term: **15 Years**

(Continued)

(21) Appl. No.: **29/579,169**

FOREIGN PATENT DOCUMENTS

(22) Filed: **Sep. 28, 2016**

JP 2014018384 A * 2/2014
JP 2017012622 A * 1/2017

(30) **Foreign Application Priority Data**

Mar. 29, 2016 (CN) 2016 3 0096822

(51) **LOC (11) Cl.** **24-02**

(52) **U.S. Cl.**
USPC **D24/185**

(58) **Field of Classification Search**
USPC D24/158-160, 164, 170, 177, 183-186,
D24/231; D4/406.1-406.2; D13/163;
D6/406.1-406.2; D34/12-37
CPC F16M 11/42; F16M 2013/025; F16M
2013/026; F16M 2013/027; A61M
5/1415; A61B 50/10; A61B 50/13; A61B
8/4405; A47C 7/004; A47C 7/006; A47B
13/023; A47B 2013/025; A47B 2013/026;
A47B 2013/027

See application file for complete search history.

(56) **References Cited**

U.S. PATENT DOCUMENTS

D368,521 S * 4/1996 Asai D24/160
D503,981 S * 4/2005 Fischer D24/185
D548,918 S * 8/2007 Nussberger D34/17

Primary Examiner — Sheryl Lane
Assistant Examiner — Calvin E Vansant

(74) *Attorney, Agent, or Firm* — Egbert Law Offices, PLLC

(57) **CLAIM**

The ornamental design for a pushcart, as shown and described.

DESCRIPTION

FIG. 1 is a perspective view of a pushcart showing my new design.

FIG. 2 is a front view thereof;

FIG. 3 is a rear view thereof.

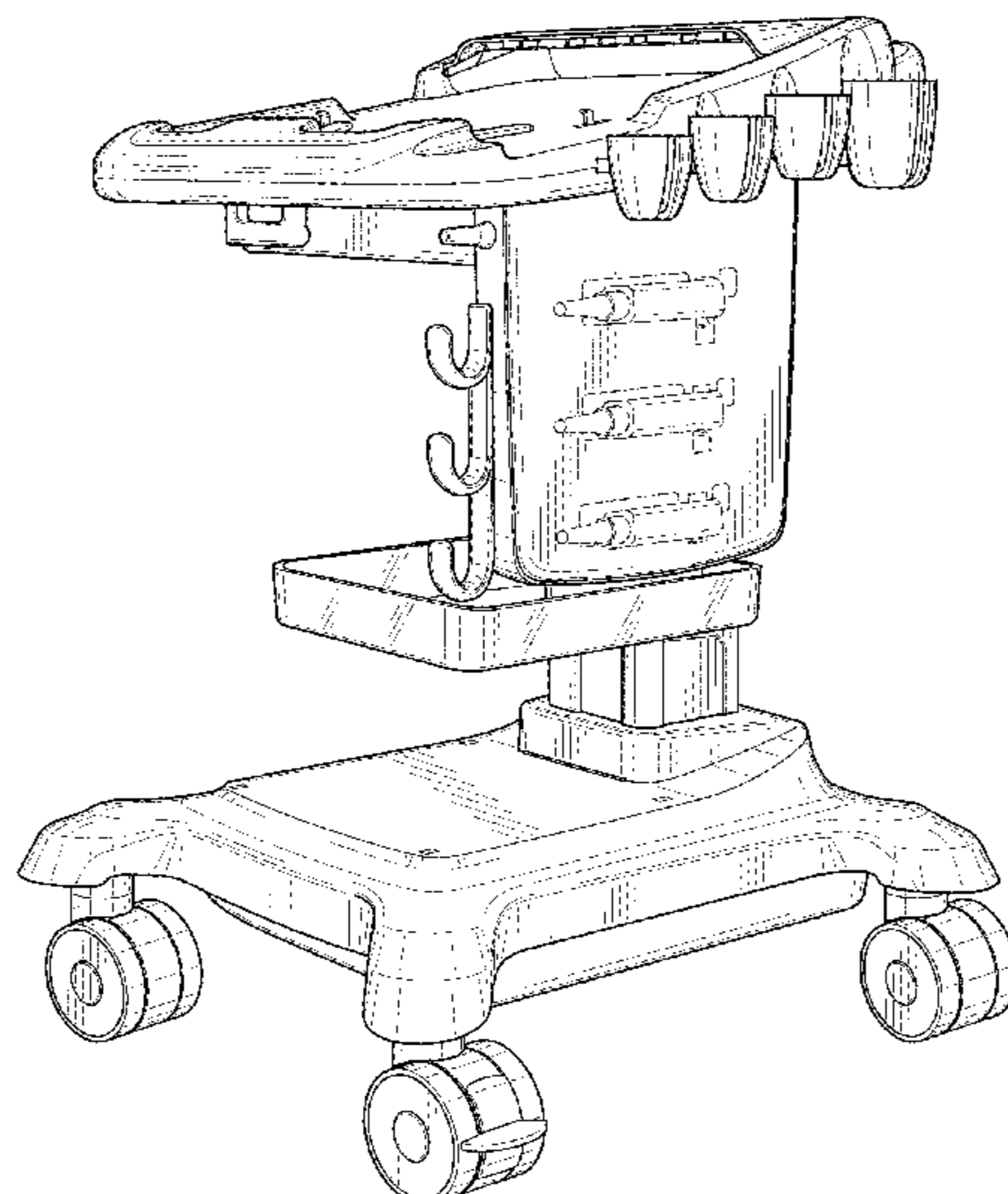
FIG. 4 is a side view thereof;

FIG. 5 is an opposite side view thereof; and,

FIG. 6 is a top view thereof.

The features presented in broken lines represent unclaimed portions of the pushcart and form no part of the claimed design. The bottom surface of the pushcart forms no part of the claimed design.

1 Claim, 6 Drawing Sheets



(56)

References Cited

U.S. PATENT DOCUMENTS

2016/0006992 A1* 1/2016 Roberts H04N 7/185
348/113

* cited by examiner

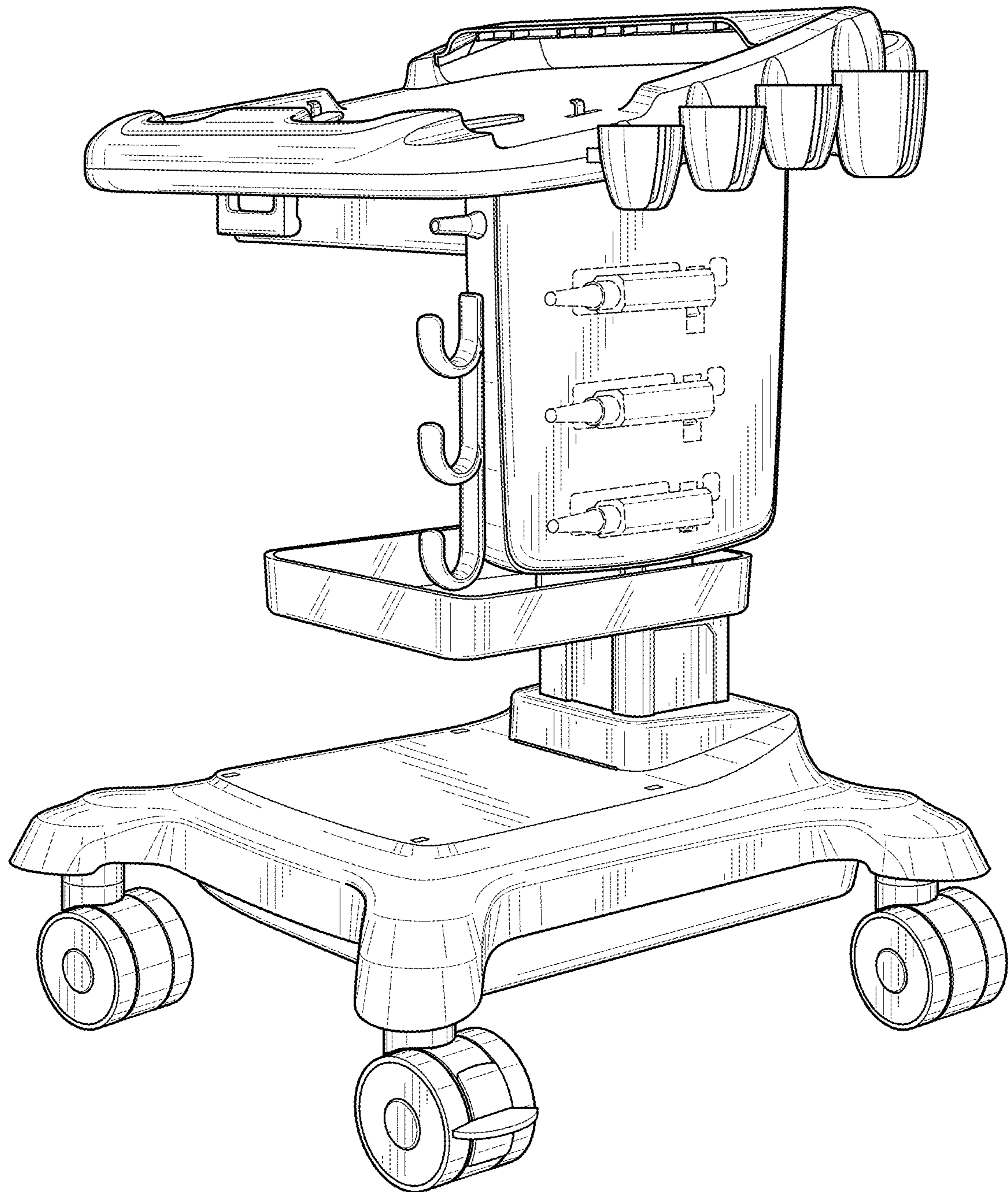


FIG. 1

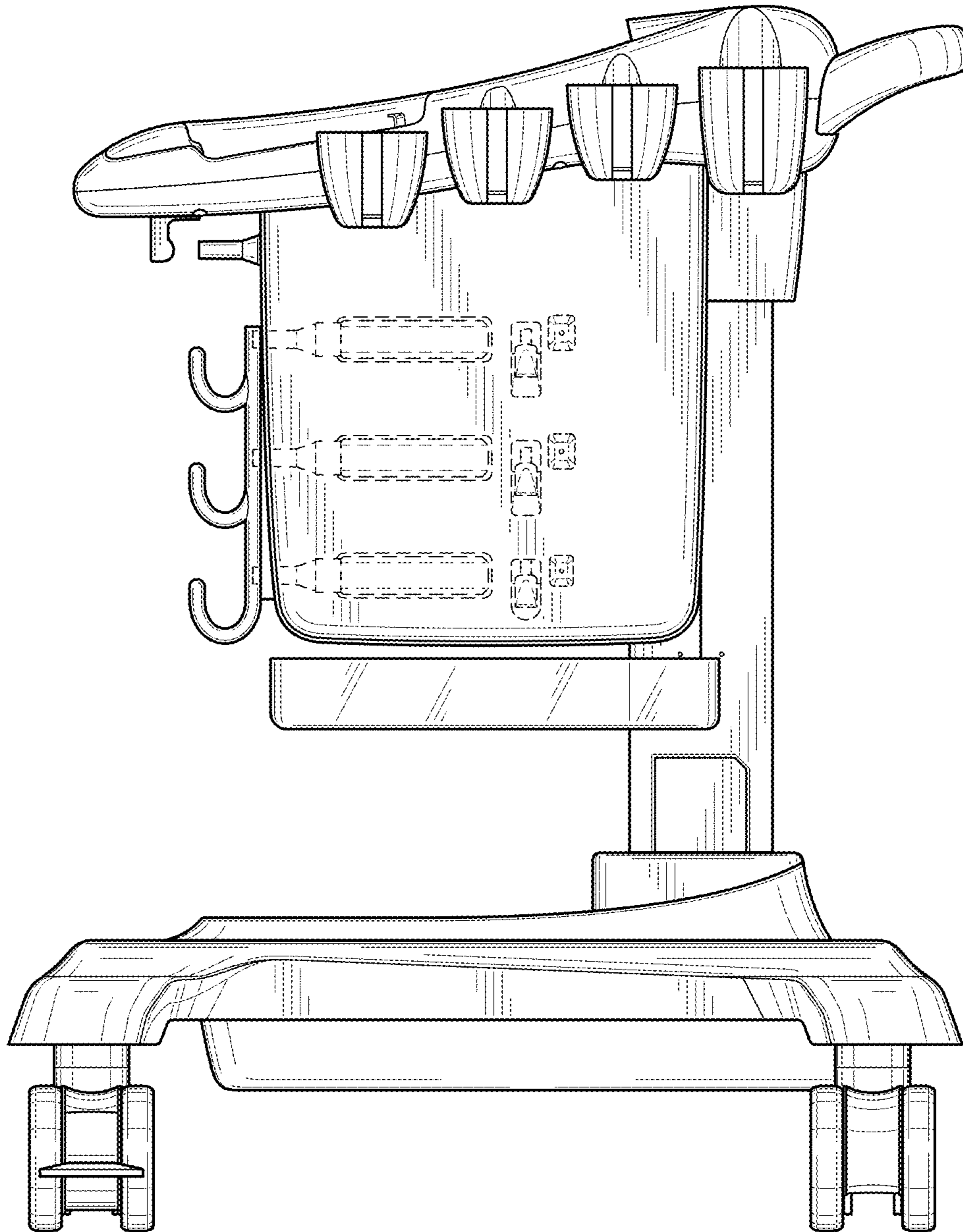


FIG. 2

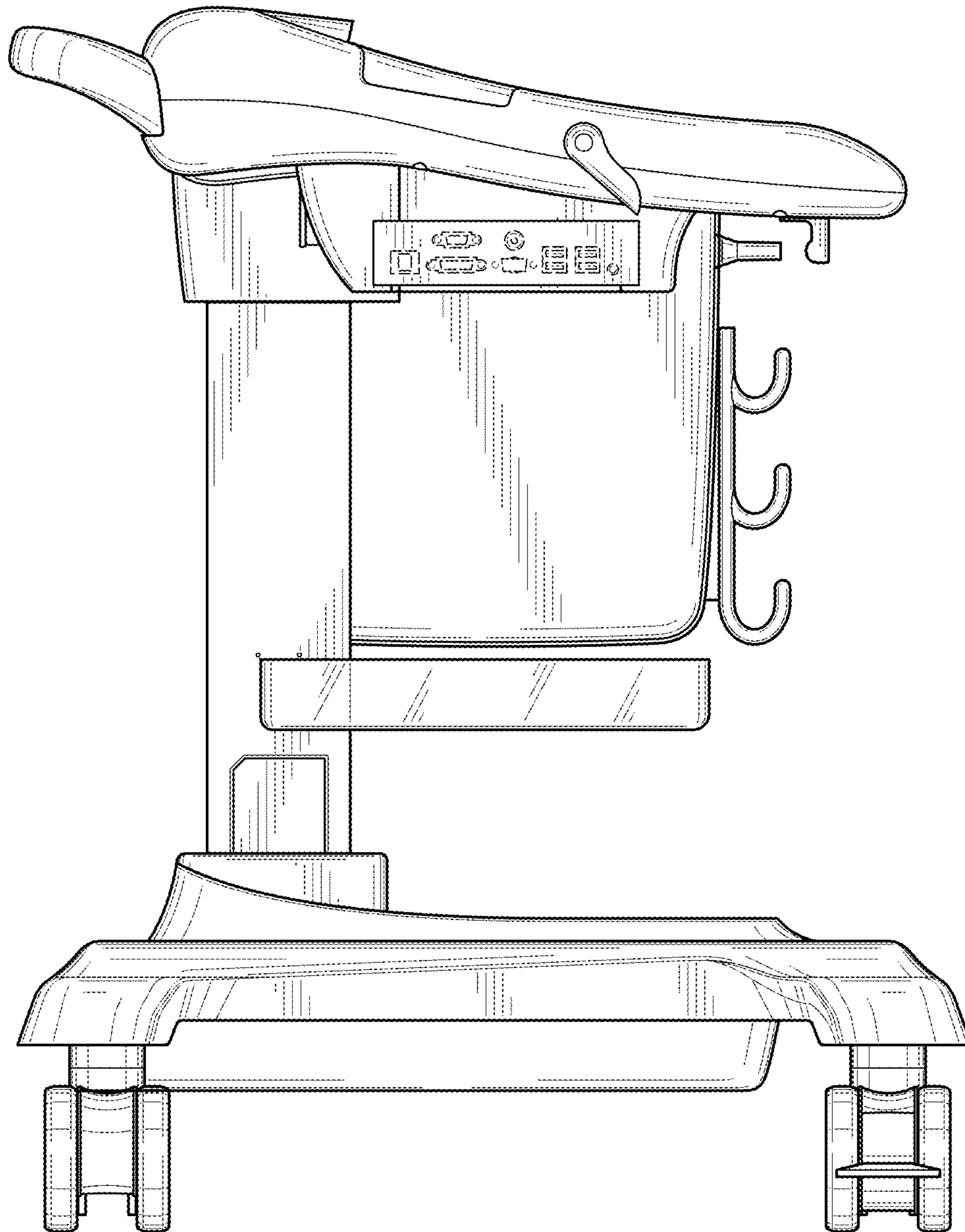


FIG. 3

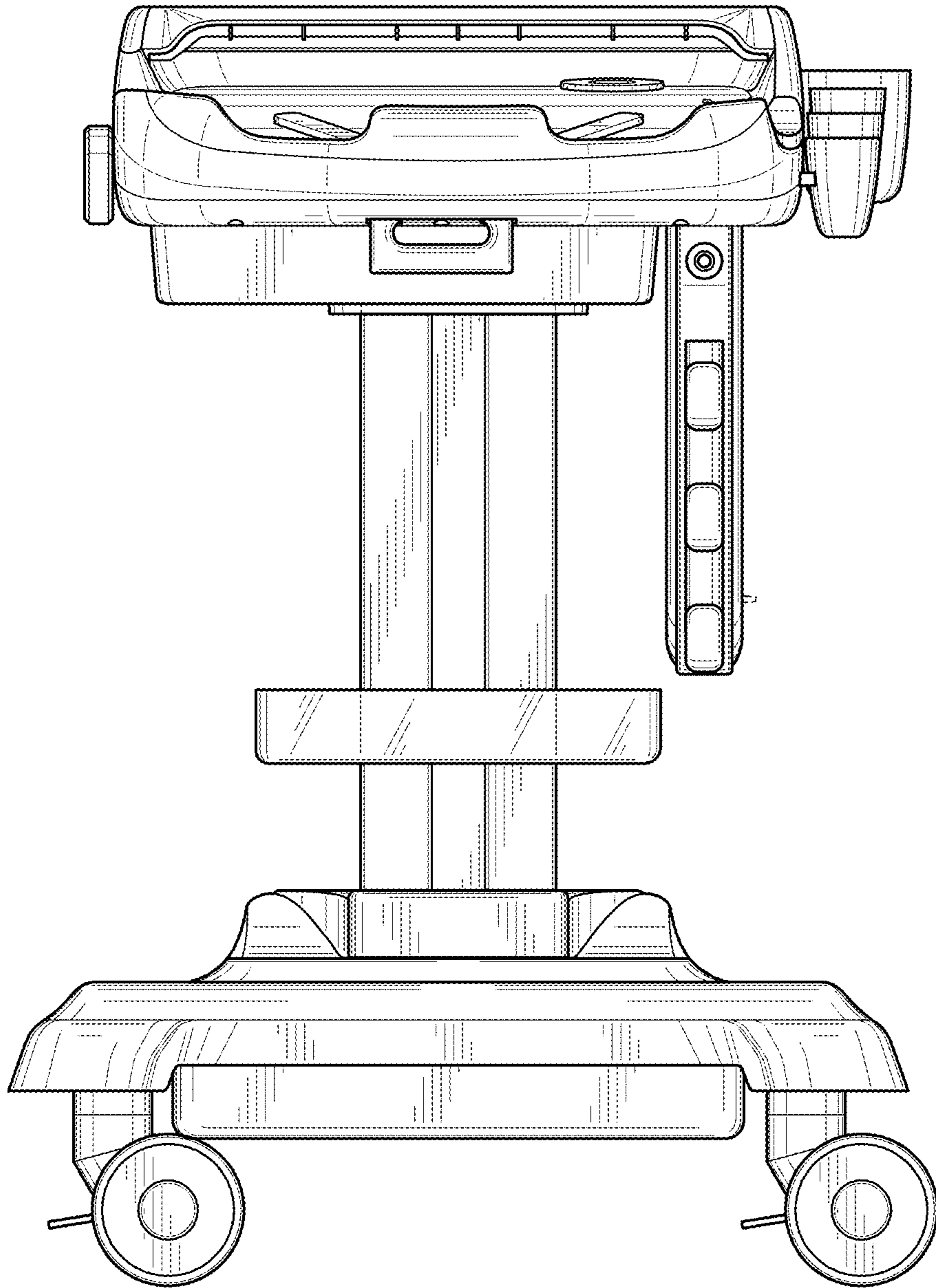


FIG. 4

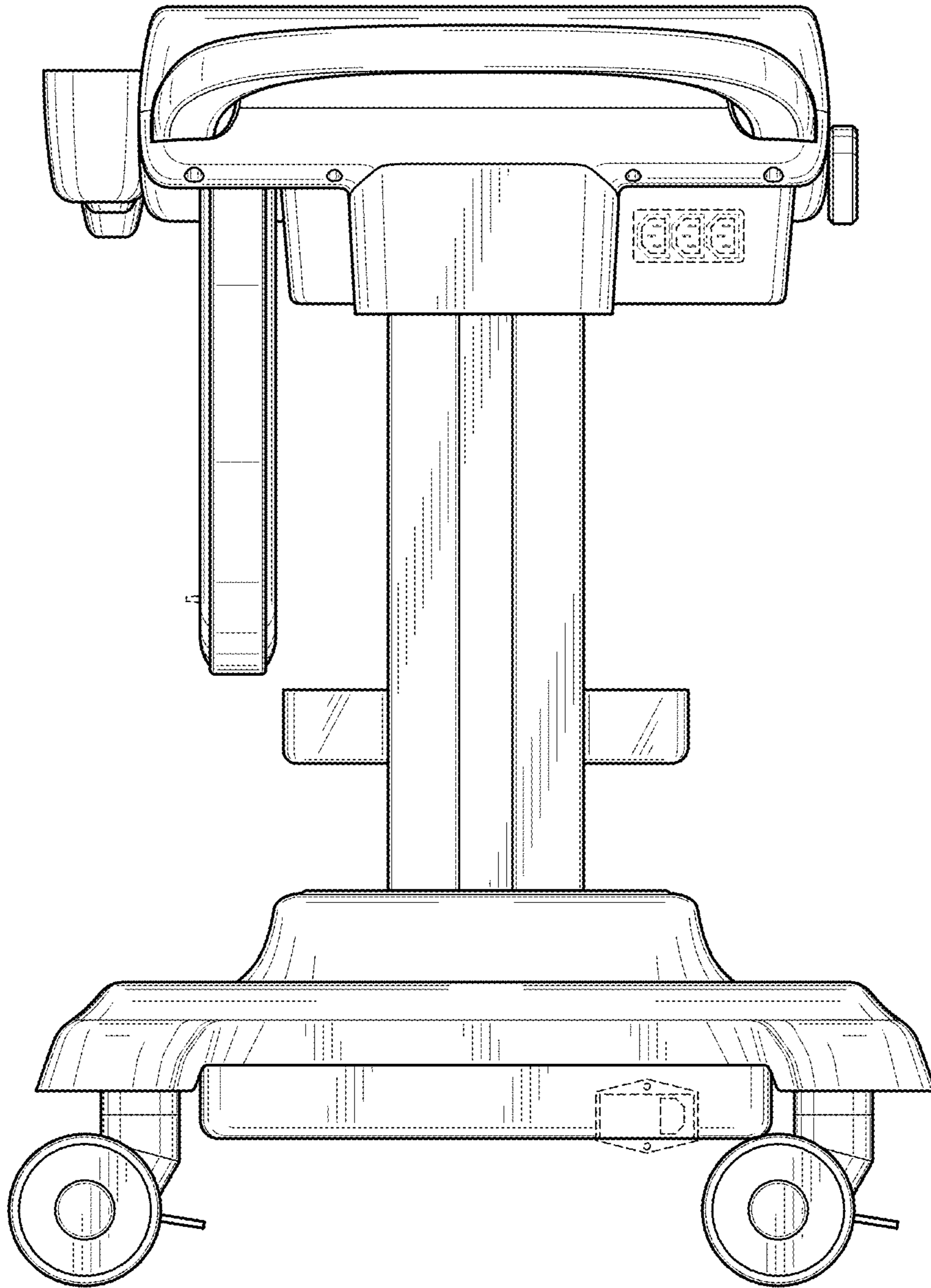


FIG. 5

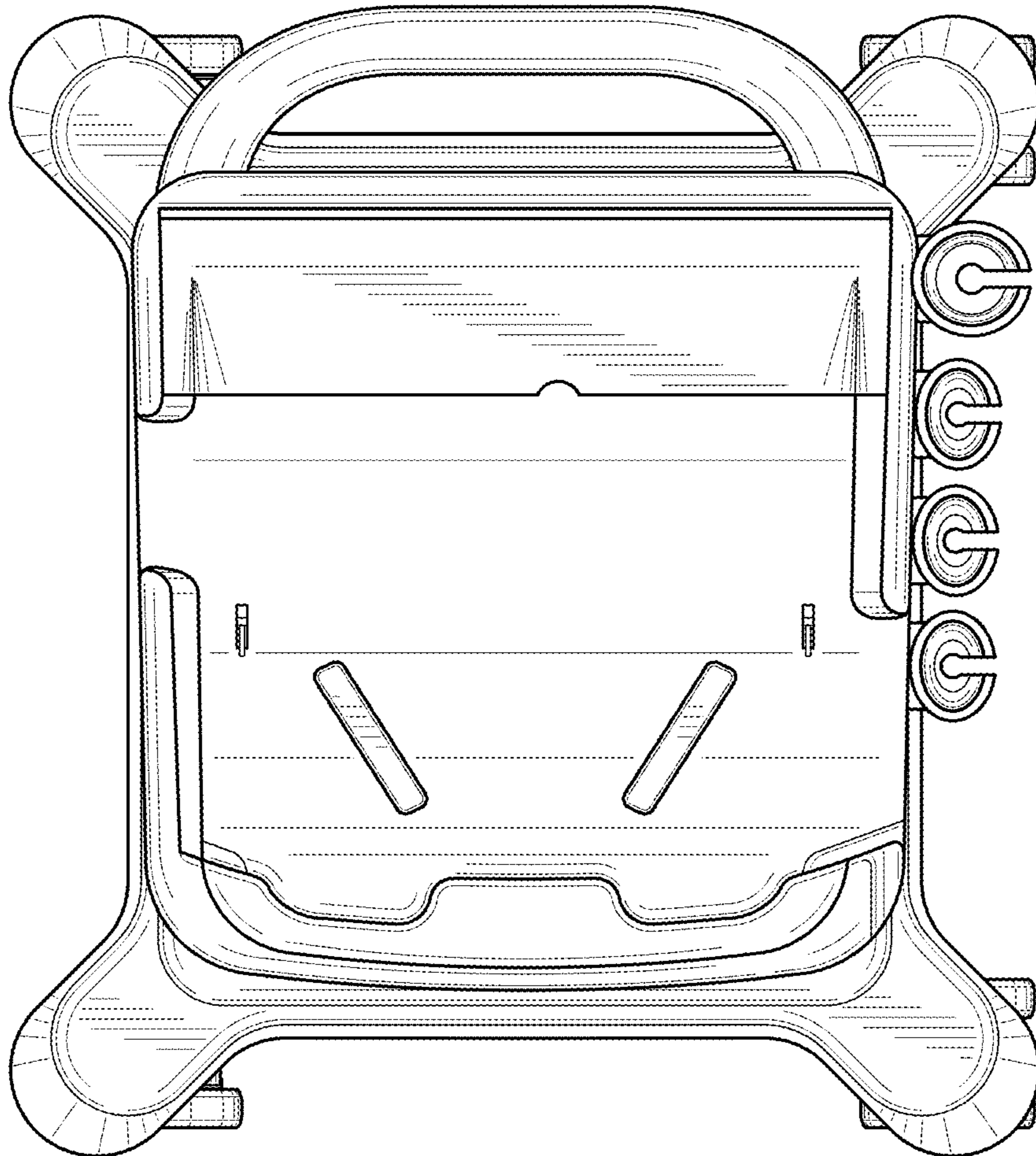


FIG. 6