

US00D810304S

(12) **United States Design Patent** (10) **Patent No.:** **US D810,304 S**
Mattiuzzo et al. (45) **Date of Patent:** **** Feb. 13, 2018**

(54) **HEAD SUPPORT**

(71) Applicants: **Giulio Mattiuzzo**, Rimini (IT);
Gianluca Manuzzato, Imola (IT);
Davide Bianconi, Cesena (IT); **Andrea Geminiani**, Imola (IT)

(72) Inventors: **Giulio Mattiuzzo**, Rimini (IT);
Gianluca Manuzzato, Imola (IT);
Davide Bianconi, Cesena (IT); **Andrea Geminiani**, Imola (IT)

(73) Assignee: **CEFLA SOCIETÁ COOPERATIVA**,
Imola (IT)

(**) Term: **14 Years**

(21) Appl. No.: **29/500,332**

(22) Filed: **Aug. 25, 2014**

(30) **Foreign Application Priority Data**

Apr. 24, 2014 (EM) 002452623-0002

(51) **LOC (11) Cl.** **24-01**

(52) **U.S. Cl.**
USPC **D24/184**

(58) **Field of Classification Search**

USPC D24/183-184, 137, 172, 185, 191, 143;
600/398, 401, 405, 227, 231, 249, 454,
600/141-142, 228, 415, 453, 459, 461,
600/504; 378/20, 208; 297/391-392,
297/220, 404-410, 283.4, 353; D6/716.5;
382/118; 606/130, 170, 237, 167, 171,
606/180, 242, 62, 99, 151, 59; 351/205,
351/245, 206, 221, 208, 212, 214, 246;
248/118; 359/368; 5/601, 622, 636-640,
5/658; 244/121; 4/515, 520-523;
433/15; 602/32-33
CPC A61B 3/12; A61B 3/00; A61B 3/0008;
A61B 3/0075; A61B 3/0083; A61B
3/145; A61B 3/152; A61B 3/165; A61B
90/14; A61B 6/04; A61B 6/14; A61B

5/0555; A61B 3/162; A61F 9/008; A61G
13/121; A61G 13/101; A61G 5/12; A61G
5/121; A61G 13/12; A47C 1/06; A45D
44/10; A42B 3/0473; B64D 25/02

See application file for complete search history.

(56) **References Cited**

U.S. PATENT DOCUMENTS

2,172,797 A * 9/1939 Alvis A47C 1/10
297/392
4,169,478 A * 10/1979 Hickmann A61B 90/14
606/151
D264,875 S * 6/1982 Crocker D24/183
5,177,820 A * 1/1993 Varallo A47C 1/06
4/515
5,267,708 A * 12/1993 Monson B64D 25/02
244/121

(Continued)

Primary Examiner — Ian Simmons

Assistant Examiner — Mark A Cavanna

(74) *Attorney, Agent, or Firm* — Themis Law

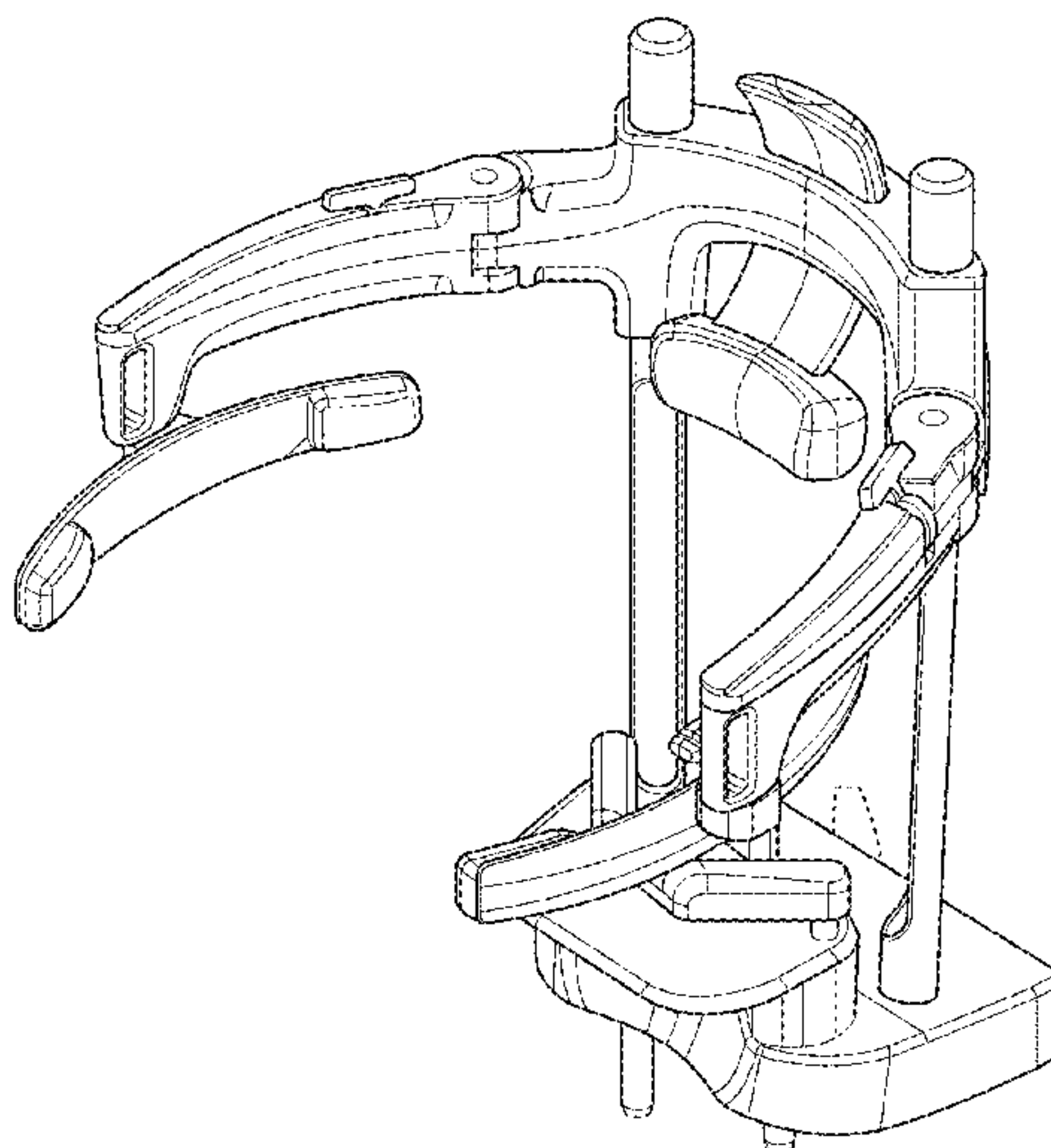
(57) **CLAIM**

The ornamental design for a head support, as shown and described.

DESCRIPTION

FIG. 1 is a perspective view of a head support showing our new design;
FIG. 2 is a front elevational view thereof;
FIG. 3 is a rear elevational view thereof;
FIG. 4 is a left side view thereof;
FIG. 5 is a right side view thereof;
FIG. 6 is a top plan view thereof; and,
FIG. 7 is a bottom plan view thereof.
The broken lines are included for the purpose of illustrating unclaimed portions of the head support and form no part of the claimed design.

1 Claim, 7 Drawing Sheets



US D810,304 S

Page 2

(56)

References Cited

U.S. PATENT DOCUMENTS

5,276,927	A *	1/1994	Day	A61G 13/121	5/601
5,791,735	A *	8/1998	Heiman	A61G 5/121	297/404
5,890,891	A *	4/1999	Doyle	A61C 7/06	433/5
6,315,783	B1 *	11/2001	Katz	A61B 90/14	606/130
D455,495	S *	4/2002	Tinsley	A61G 13/12	D24/183
D456,510	S *	4/2002	Spetzler	D24/143	
6,419,321	B1 *	7/2002	Sack	A61G 5/121	297/405
6,616,236	B1 *	9/2003	Su	A47C 7/38	297/353
D497,430	S *	10/2004	Tinsley	D24/184	
7,661,162	B2 *	2/2010	Soerensen	A61B 90/14	5/622
7,730,563	B1 *	6/2010	Sklar	A61G 13/121	5/637
8,893,333	B2 *	11/2014	Soto	A61G 13/101	5/636
9,031,636	B2 *	5/2015	Piferi	A61B 5/0555	600/415
9,402,692	B2 *	8/2016	Schuele	A61B 90/14	
9,439,609	B2 *	9/2016	Bianconi	A61B 6/04	
9,480,614	B2 *	11/2016	Torrie	A61G 13/12	
9,504,434	B2 *	11/2016	Bianconi	A61B 6/04	
2002/0169460	A1 *	11/2002	Foster	A61B 3/0083	606/130
2003/0178880	A1 *	9/2003	Hannah	A61G 5/121	297/406
2009/0285356	A1 *	11/2009	Thoma	A61B 6/04	378/20
2010/0249780	A1 *	9/2010	Rolfes	A61B 90/14	606/59
2012/0137418	A1 *	6/2012	Nelson	A41D 13/0512	2/468

* cited by examiner

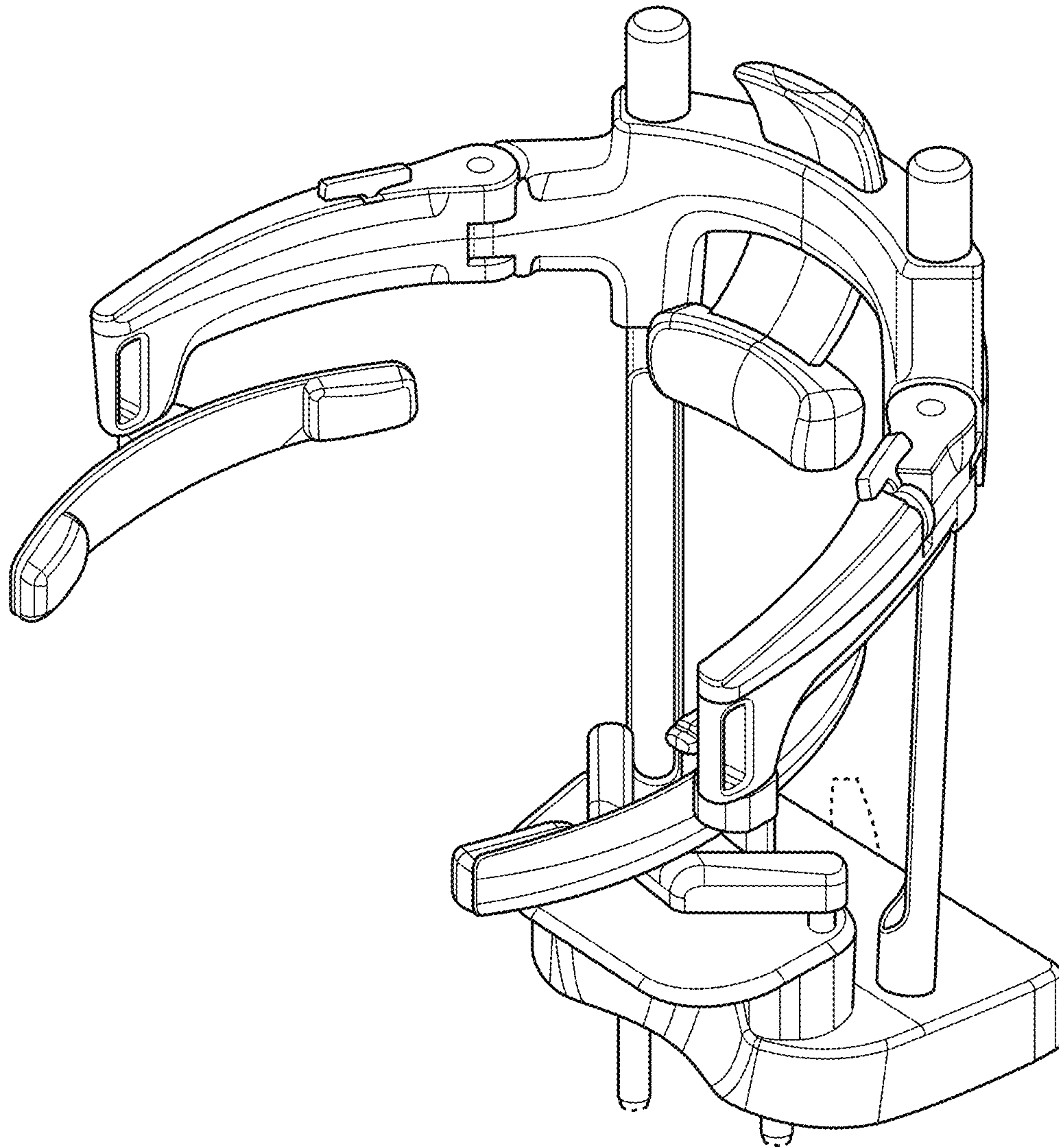


FIG. 1

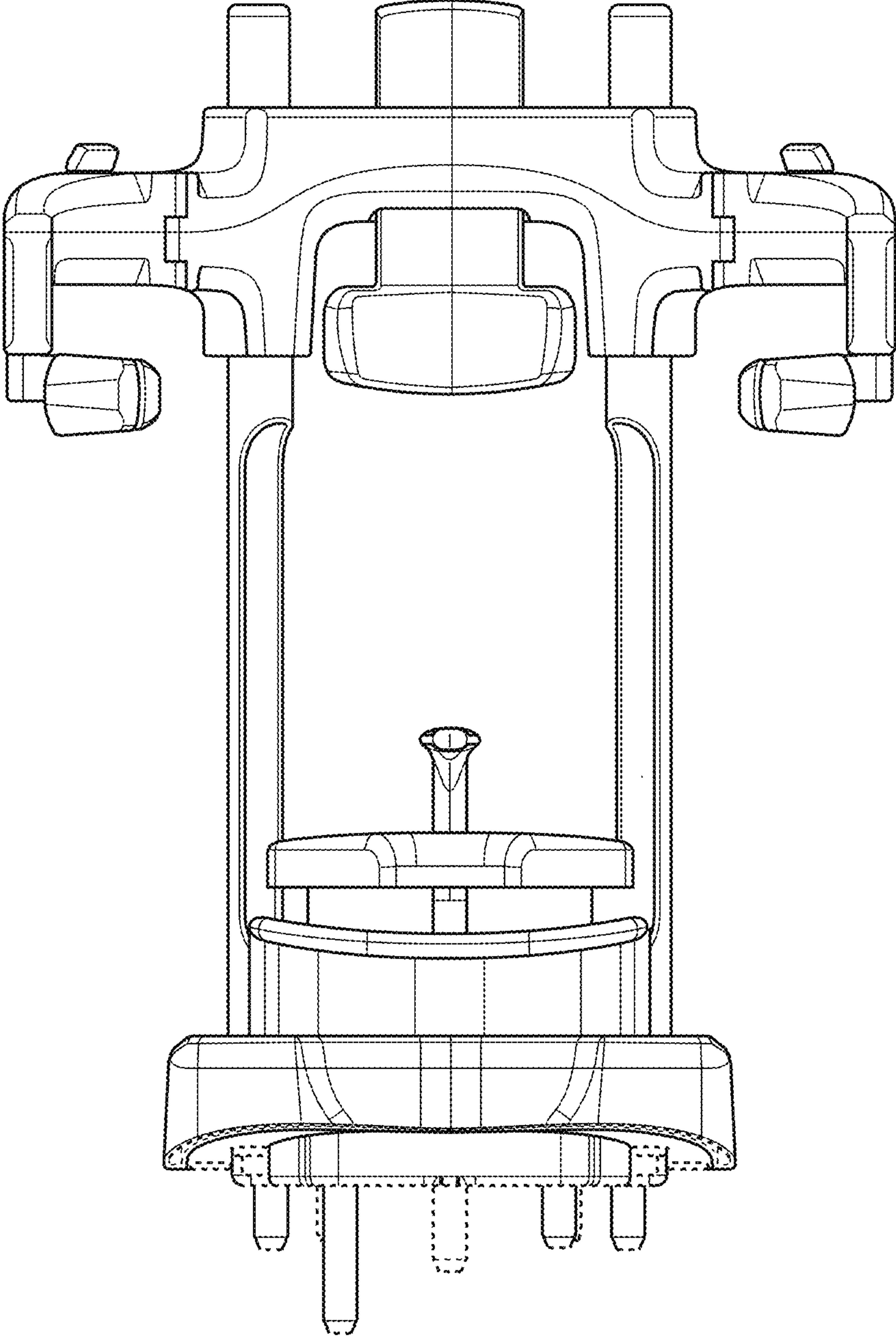


FIG. 2

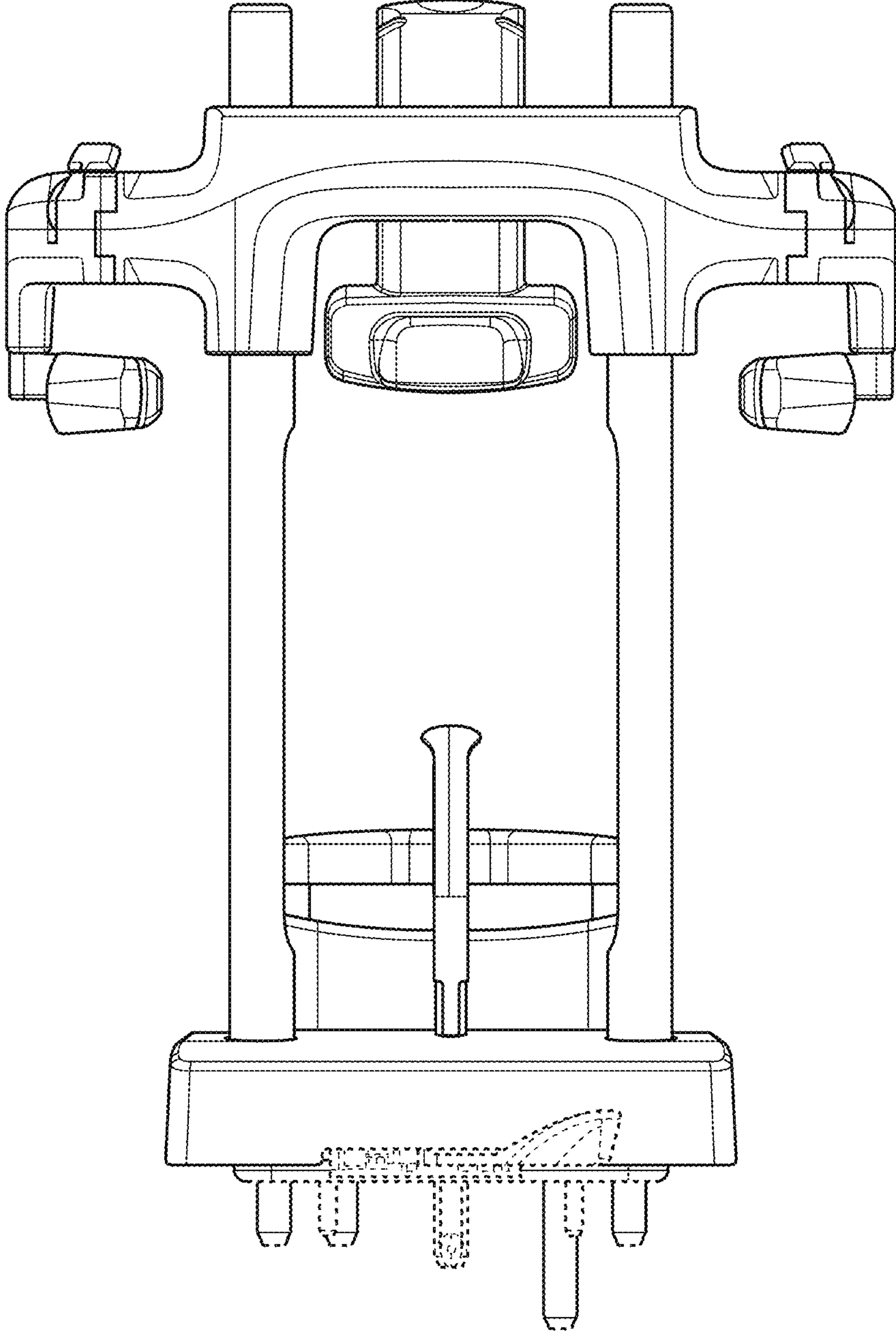


FIG. 3

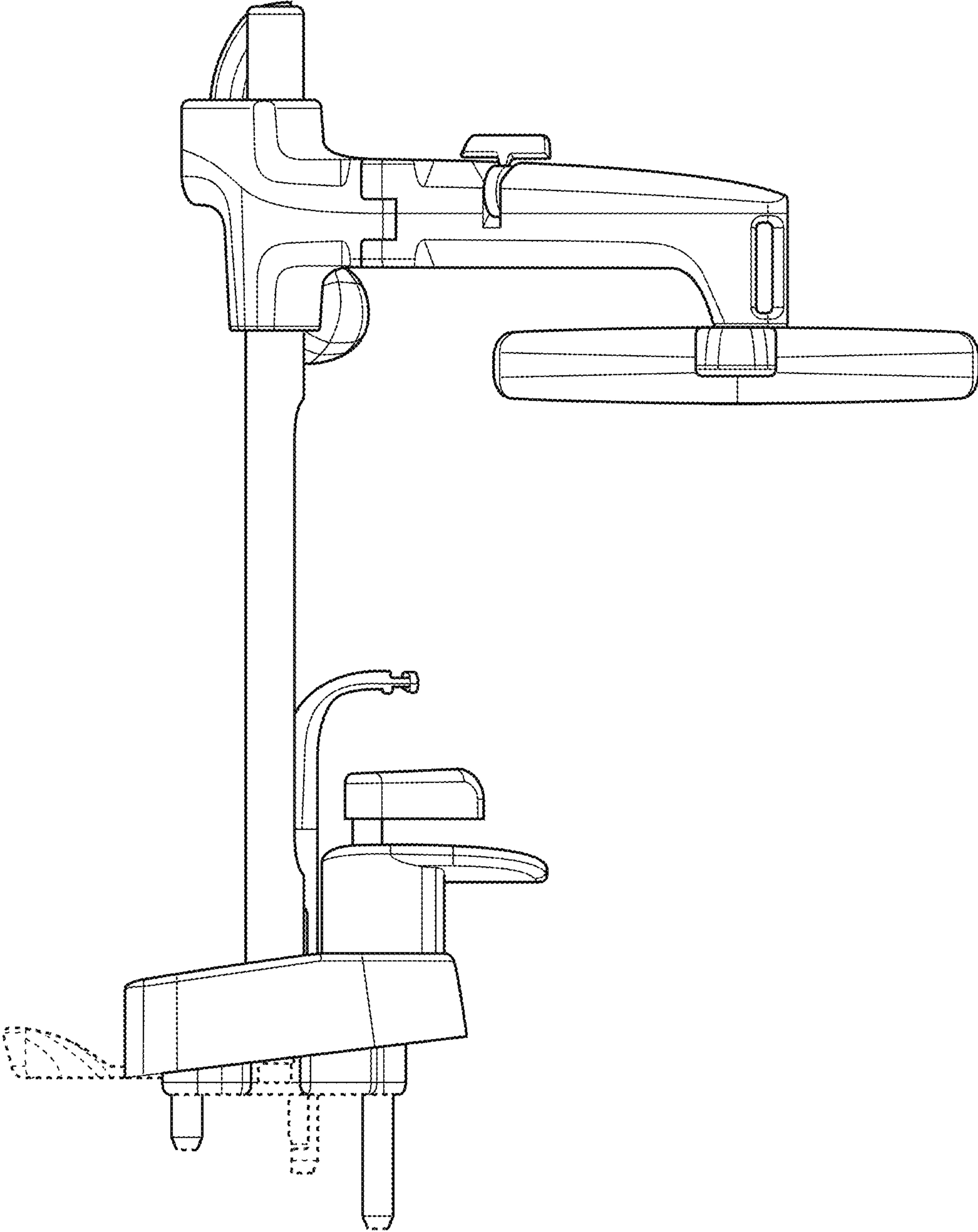


FIG. 4

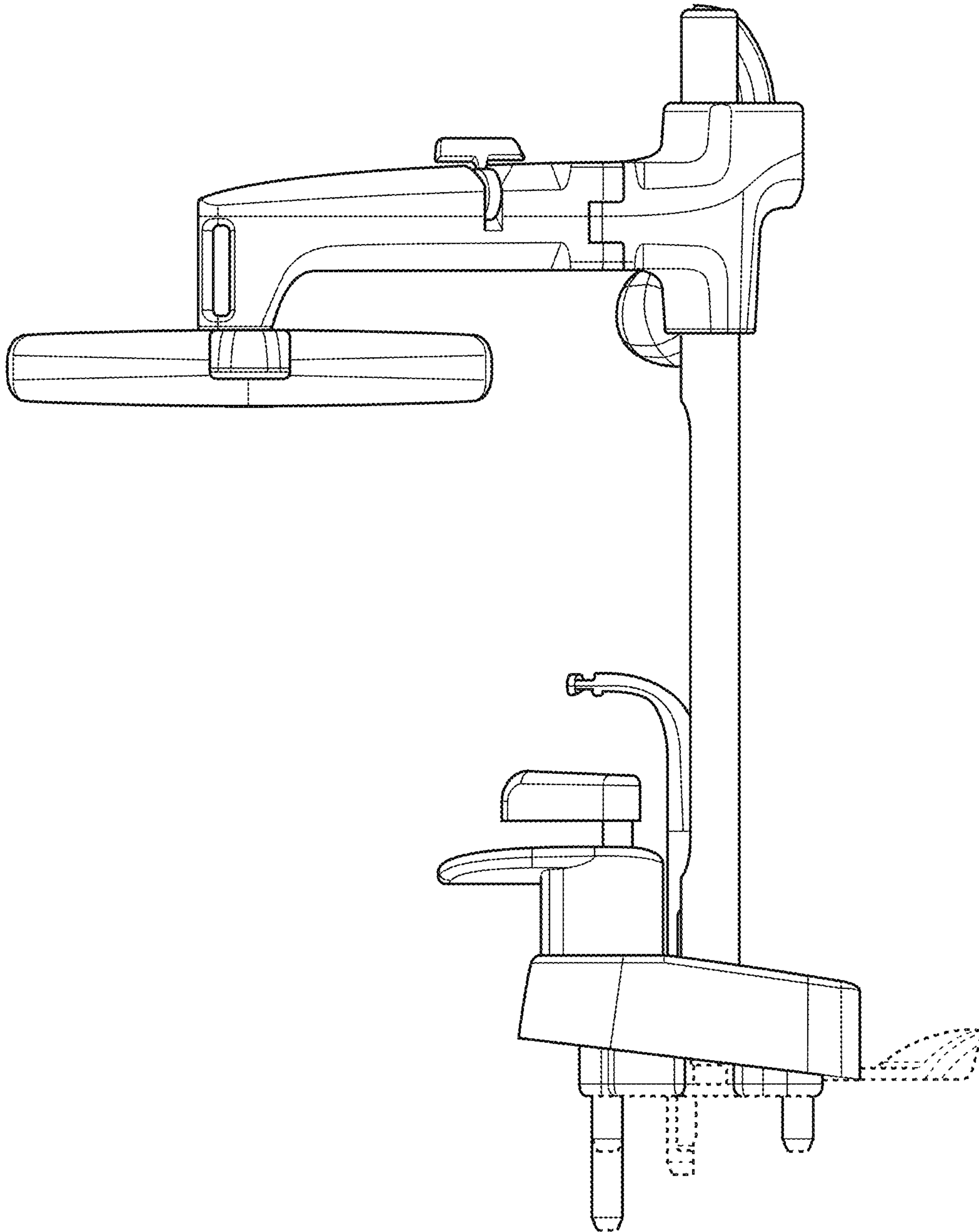


FIG. 5

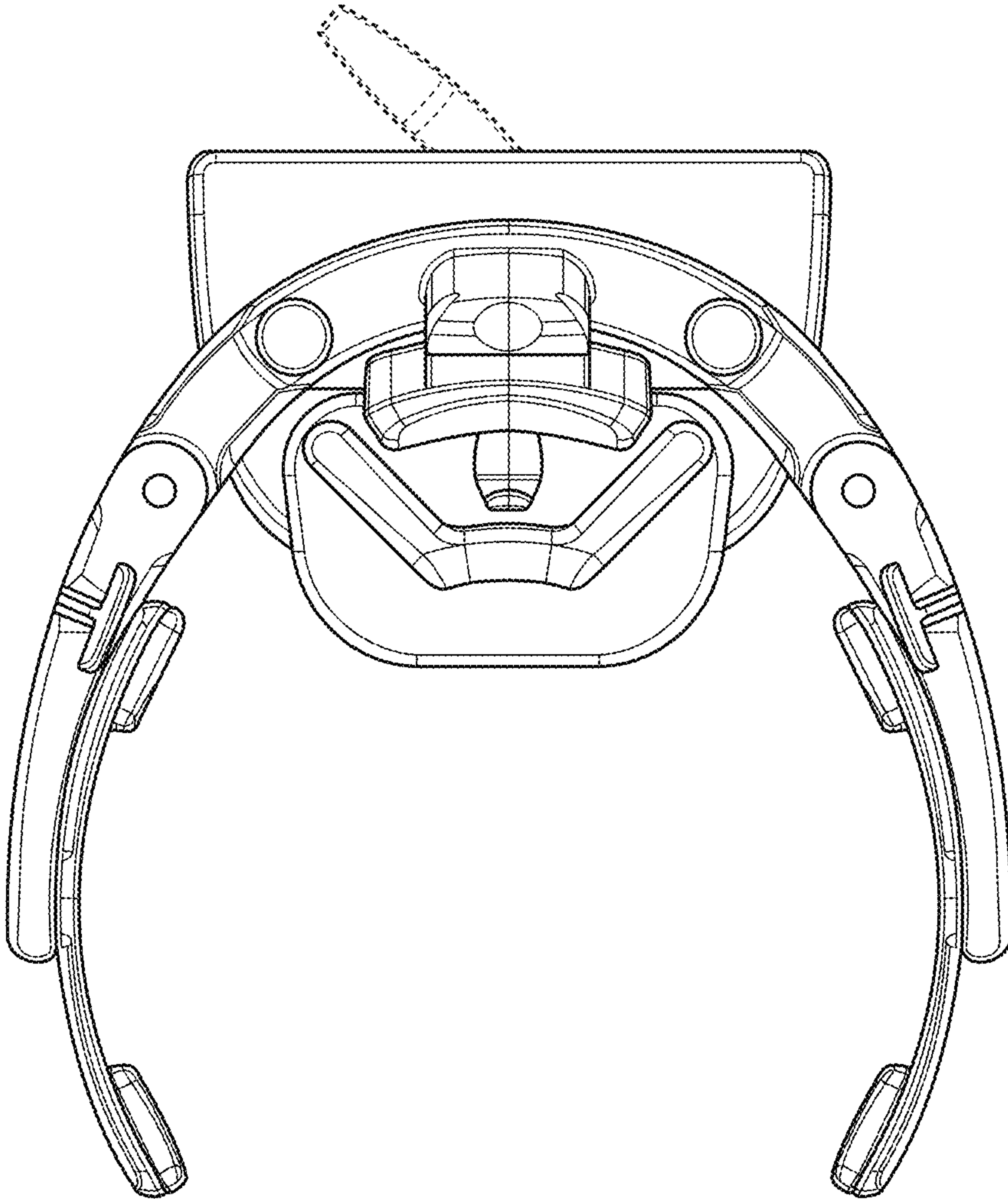


FIG. 6

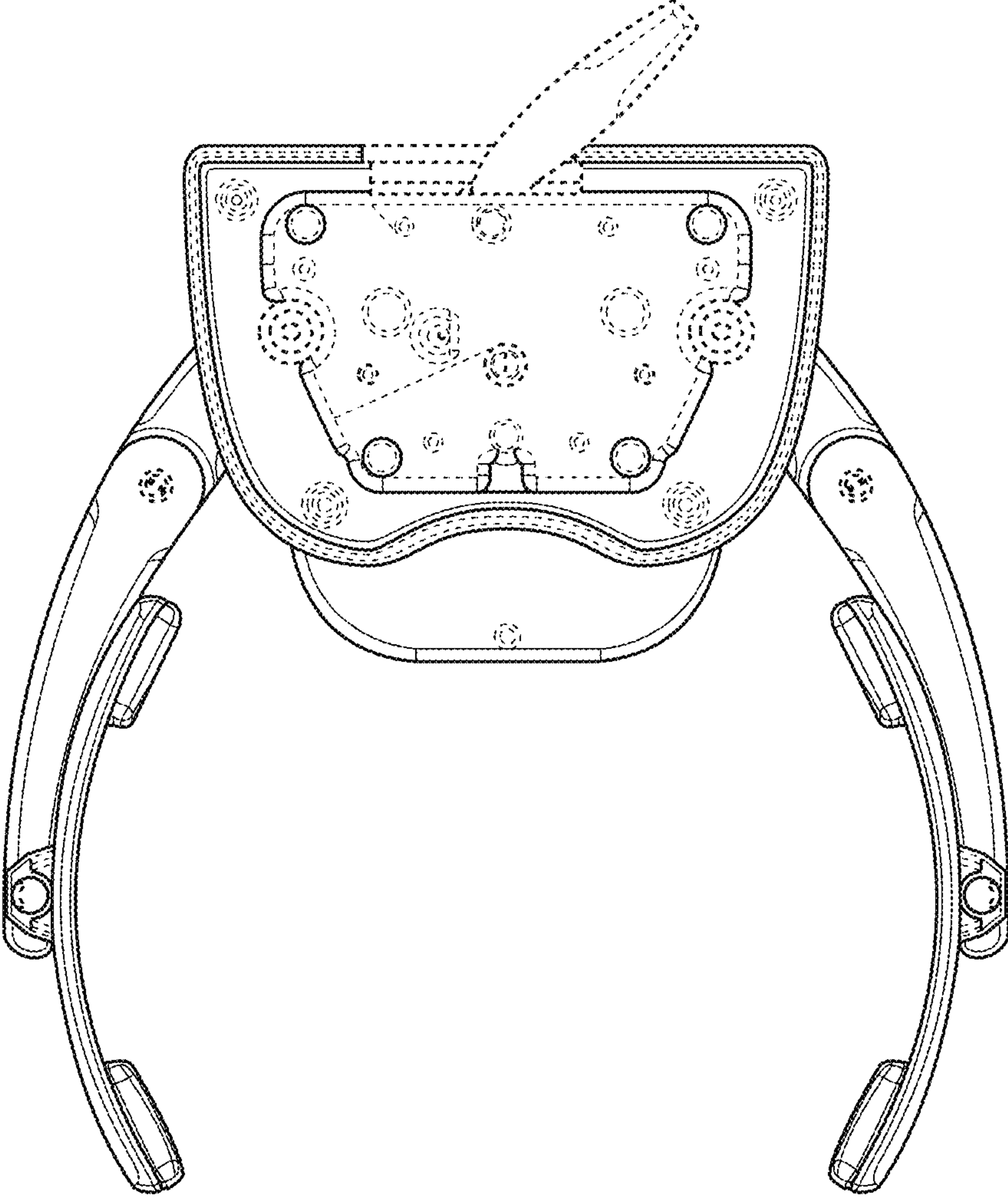


FIG. 7