



US00D810303S

(12) **United States Design Patent** (10) **Patent No.:** **US D810,303 S**
Viazis (45) **Date of Patent:** **** *Feb. 13, 2018**

- (54) **ORTHODONTIC BRACKET**
- (71) Applicant: **ORALECT LICENSING, LTD.**,
Dallas, TX (US)
- (72) Inventor: **Anthony D. Viazis**, Dallas, TX (US)
- (73) Assignee: **ORALECT LICENSING, LTD.**,
Dallas, TX (US)
- (*) Notice: This patent is subject to a terminal disclaimer.
- (**) Term: **15 Years**
- (21) Appl. No.: **29/580,247**
- (22) Filed: **Oct. 6, 2016**
- (51) **LOC (11) Cl.** **24-02**
- (52) **U.S. Cl.**
USPC **D24/180**
- (58) **Field of Classification Search**
USPC D24/176-184
CPC A61C 7/00; A61C 7/12; A61C 7/14; A61C 7/141; A61C 7/145; A61C 7/146; A61C 7/287; A61C 7/30; A61C 7/148; A61C 7/282
See application file for complete search history.

(56) **References Cited**

U.S. PATENT DOCUMENTS

- D331,975 S * 12/1992 Pospisil D24/180
- D339,421 S * 9/1993 Schultz D24/180
- 5,282,743 A * 2/1994 Miura A61C 7/12
433/10
- D367,116 S * 2/1996 Viazis D24/180
- D687,554 S * 8/2013 Kooiman D24/180
- 8,708,698 B2 * 4/2014 Antignano A61C 7/12
433/14
- 2007/0243497 A1 * 10/2007 Voudouris A61C 7/141
433/10

2016/0262851 A1* 9/2016 Curiel A61C 7/287
* cited by examiner

Primary Examiner — Wan Laymon
(74) *Attorney, Agent, or Firm* — Jeffrey G. Degenfelder;
David W. Carstens; Carstens & Cahoon, LLP

(57) **CLAIM**

The ornamental design for an orthodontic bracket, as shown and described.

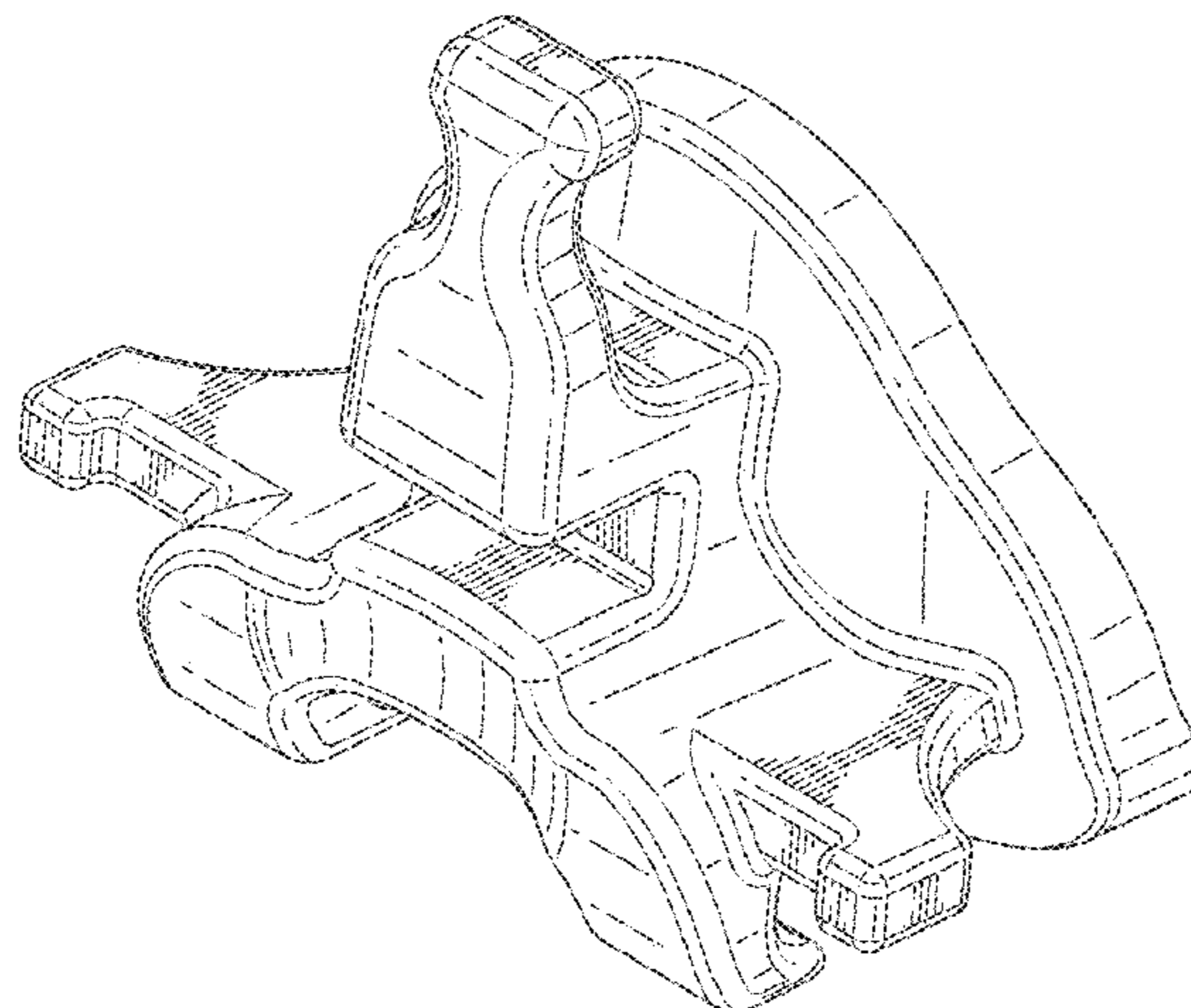
DESCRIPTION

FIG. 1 is a perspective view of the orthodontic bracket in accordance with one embodiment of my new design; FIG. 2 is a left side view of the orthodontic bracket shown in FIG. 1, the opposite right side view being essentially a mirror image thereof; FIG. 3 is a front elevation view of the orthodontic bracket shown in FIGS. 1 and 2; FIG. 4 is a bottom view of an orthodontic bracket shown in FIGS. 1-3; FIG. 5 is a top view of the orthodontic bracket shown in FIGS. 1-4; and FIG. 6 is a rear view of the orthodontic bracket shown in FIGS. 1-5.

FIG. 7 is a perspective view of the orthodontic bracket in accordance with another embodiment of my new design; FIG. 8 is a left side view of the orthodontic bracket shown in FIG. 7, the opposite right side view being essentially a mirror image thereof; FIG. 9 is a front elevation view of the orthodontic bracket shown in FIGS. 7 and 8; FIG. 10 is a bottom view of an orthodontic bracket shown in FIGS. 7-9; FIG. 11 is a top view of the orthodontic bracket shown in FIGS. 7-10; and, FIG. 12 is a rear view of the orthodontic bracket shown in FIGS. 7-11.

The broken lines shown in the figures are included for the of illustrating portions of the orthodontic bracket and form no part of the claimed design.

1 Claim, 10 Drawing Sheets



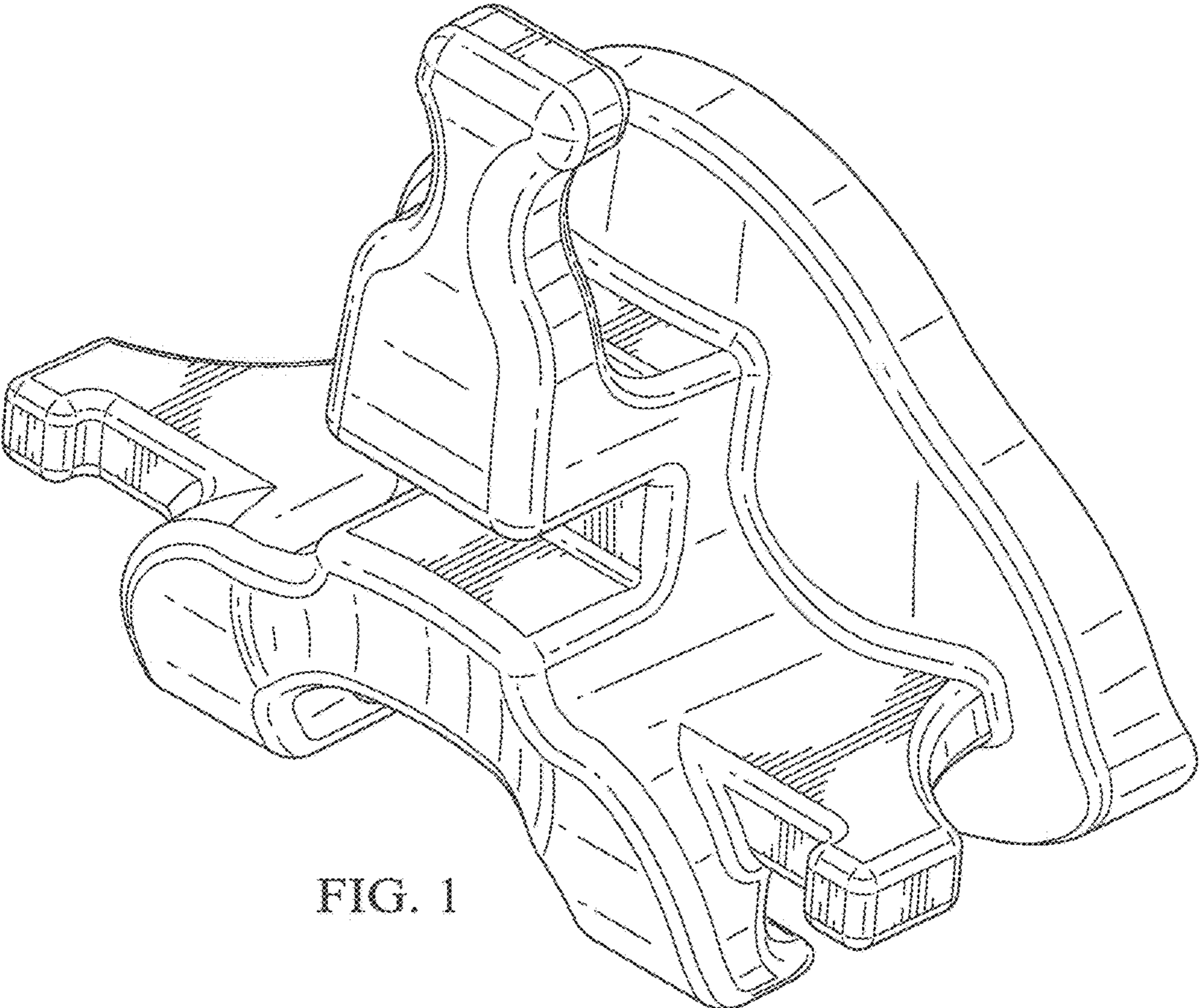


FIG. 1

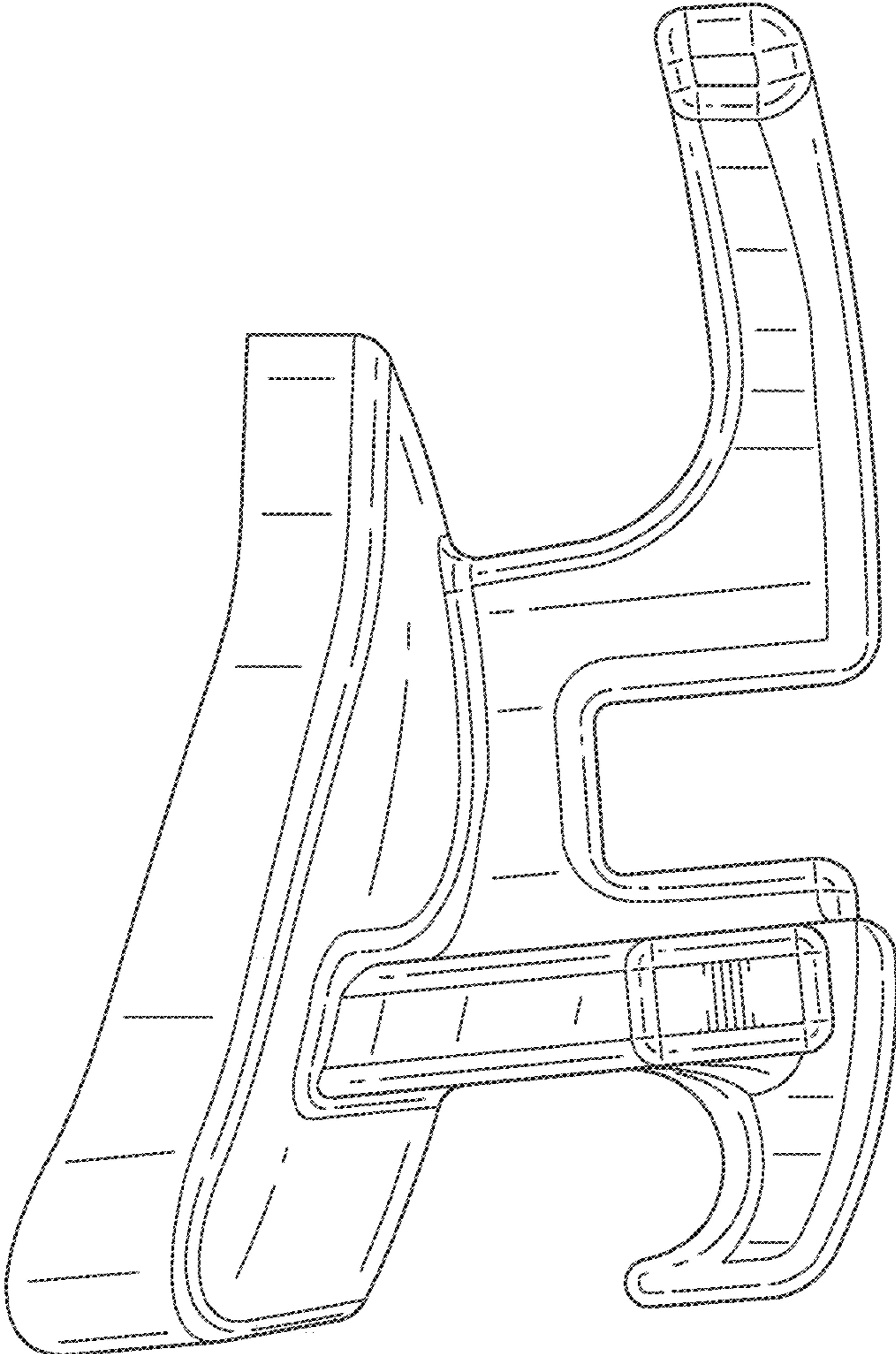


FIG. 2

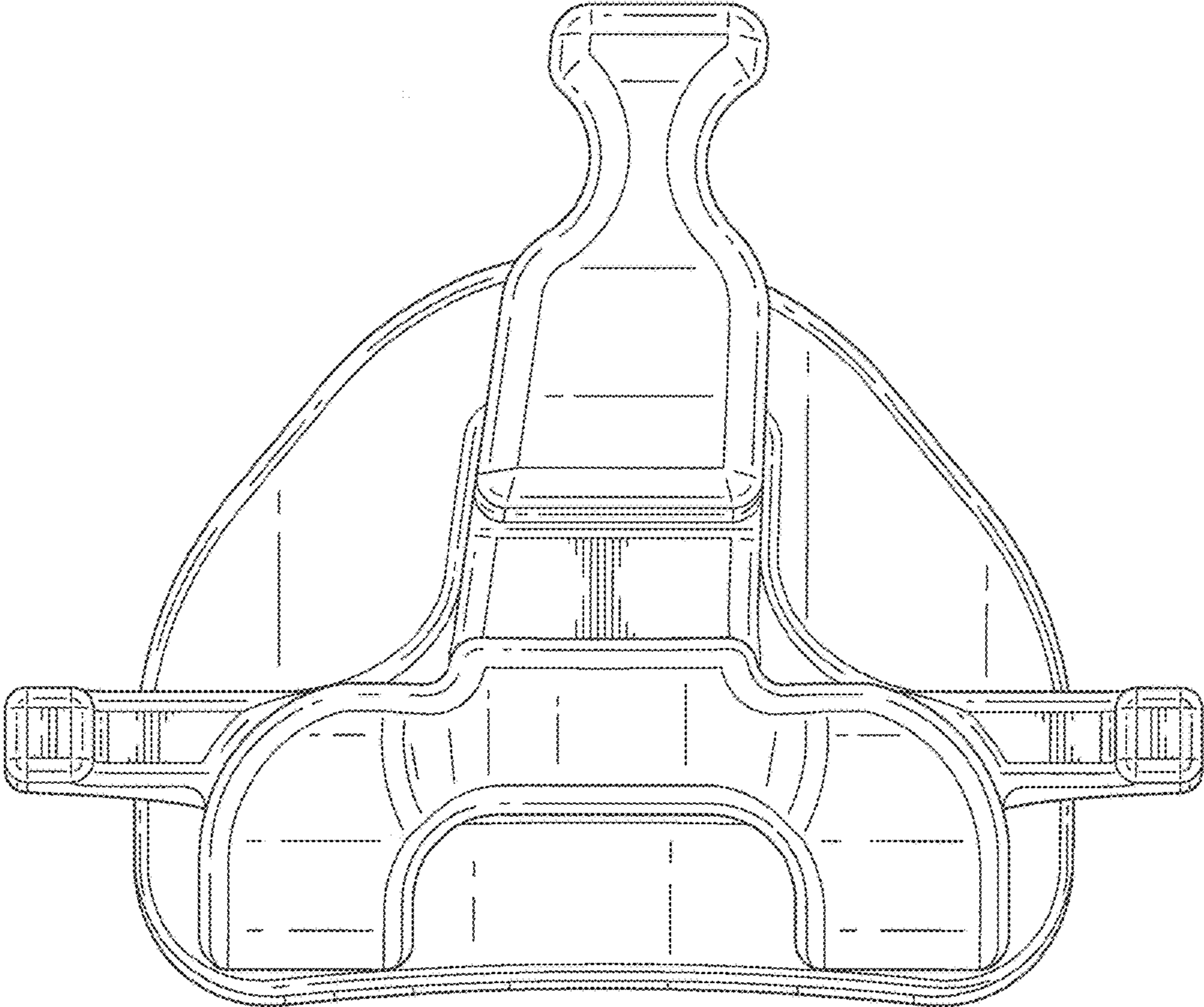


FIG. 3

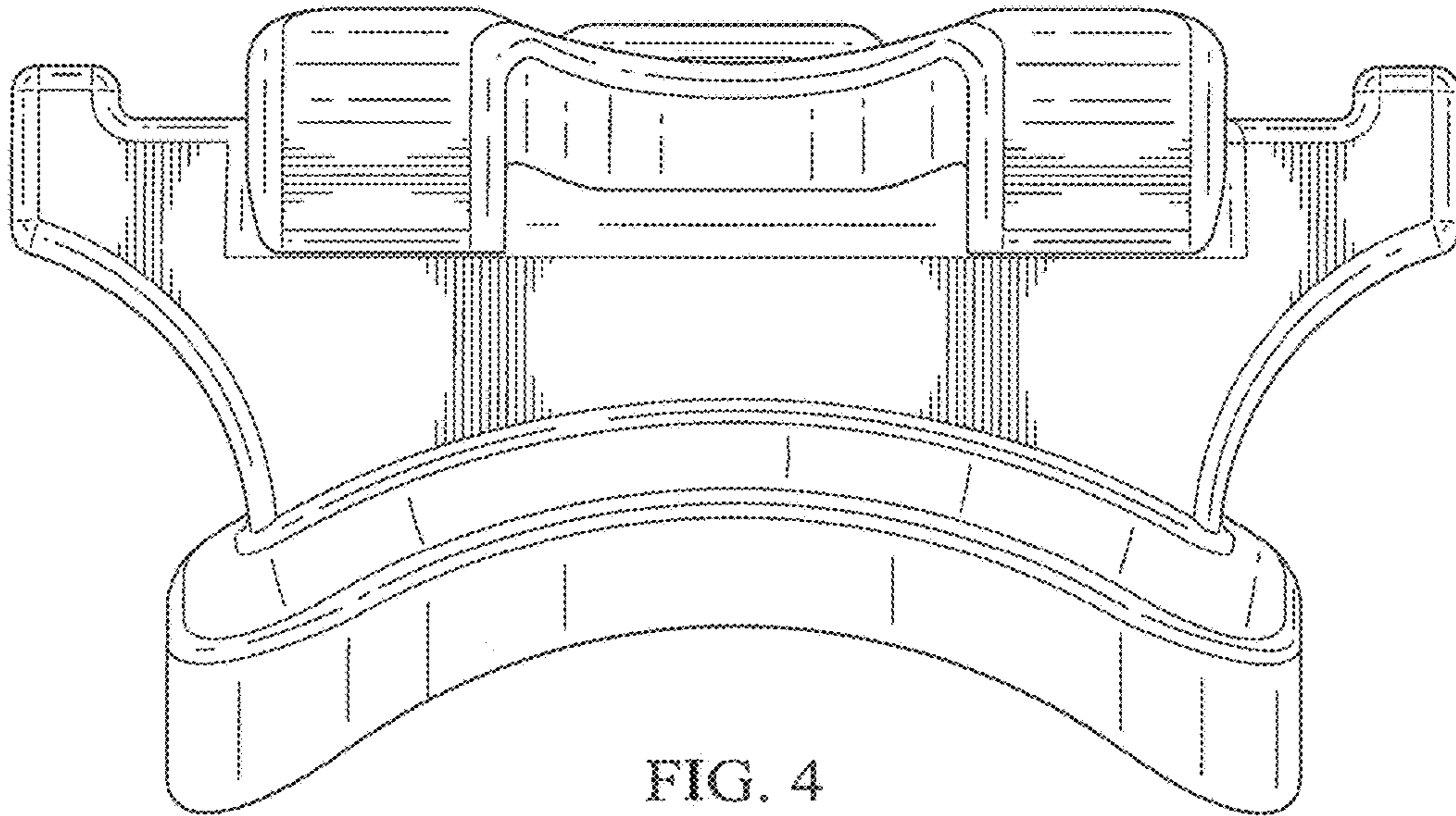


FIG. 4

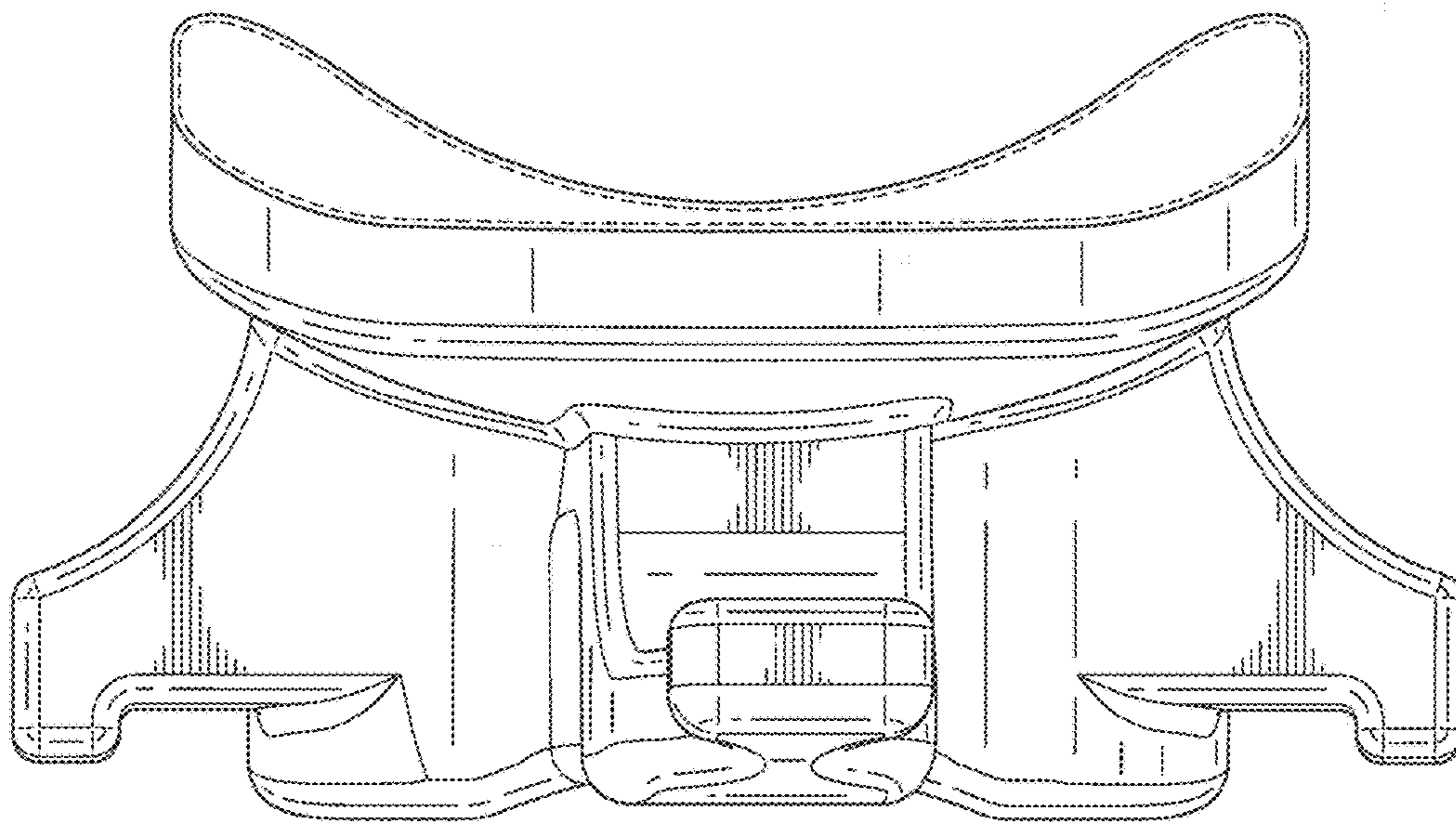


FIG. 5

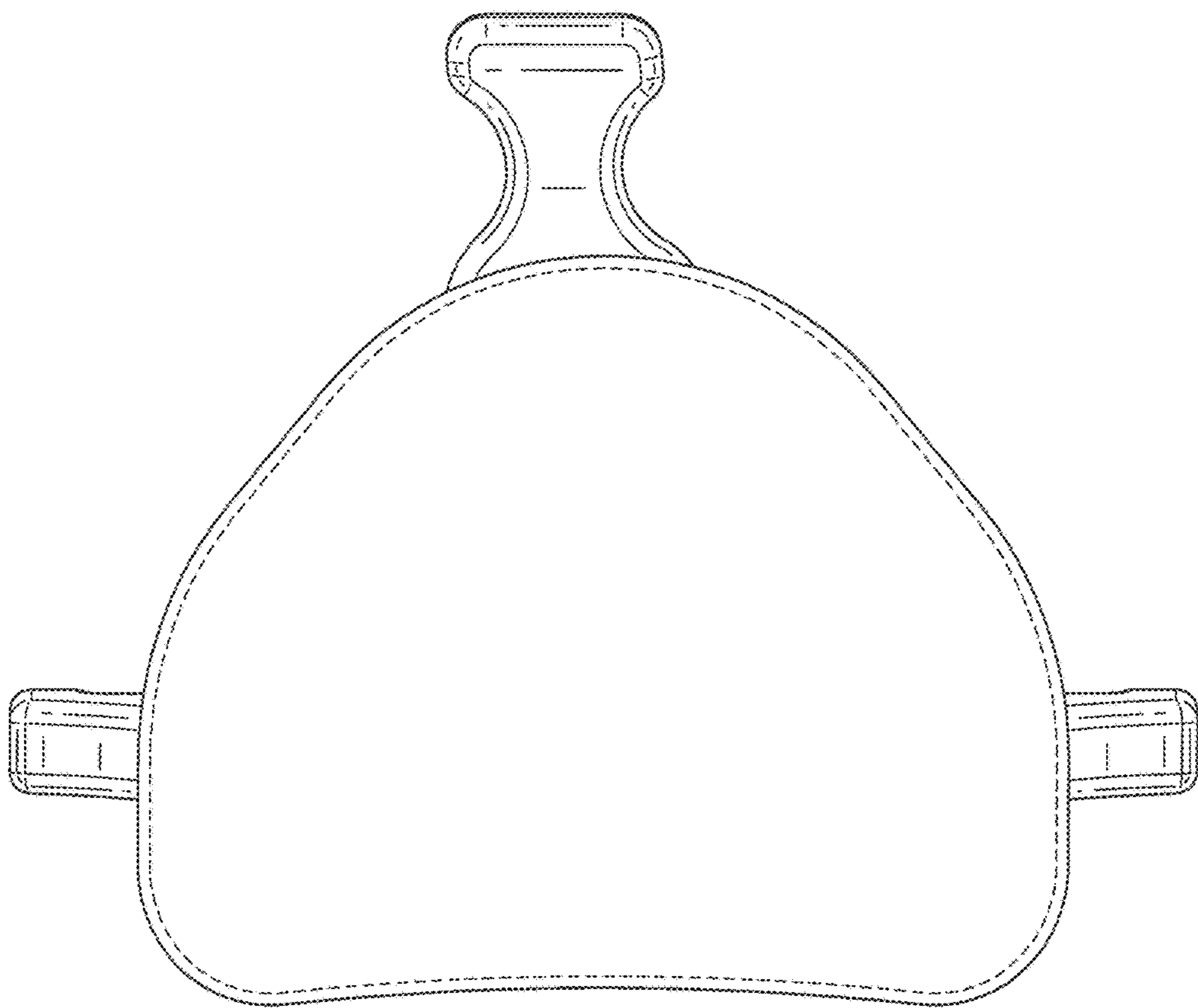
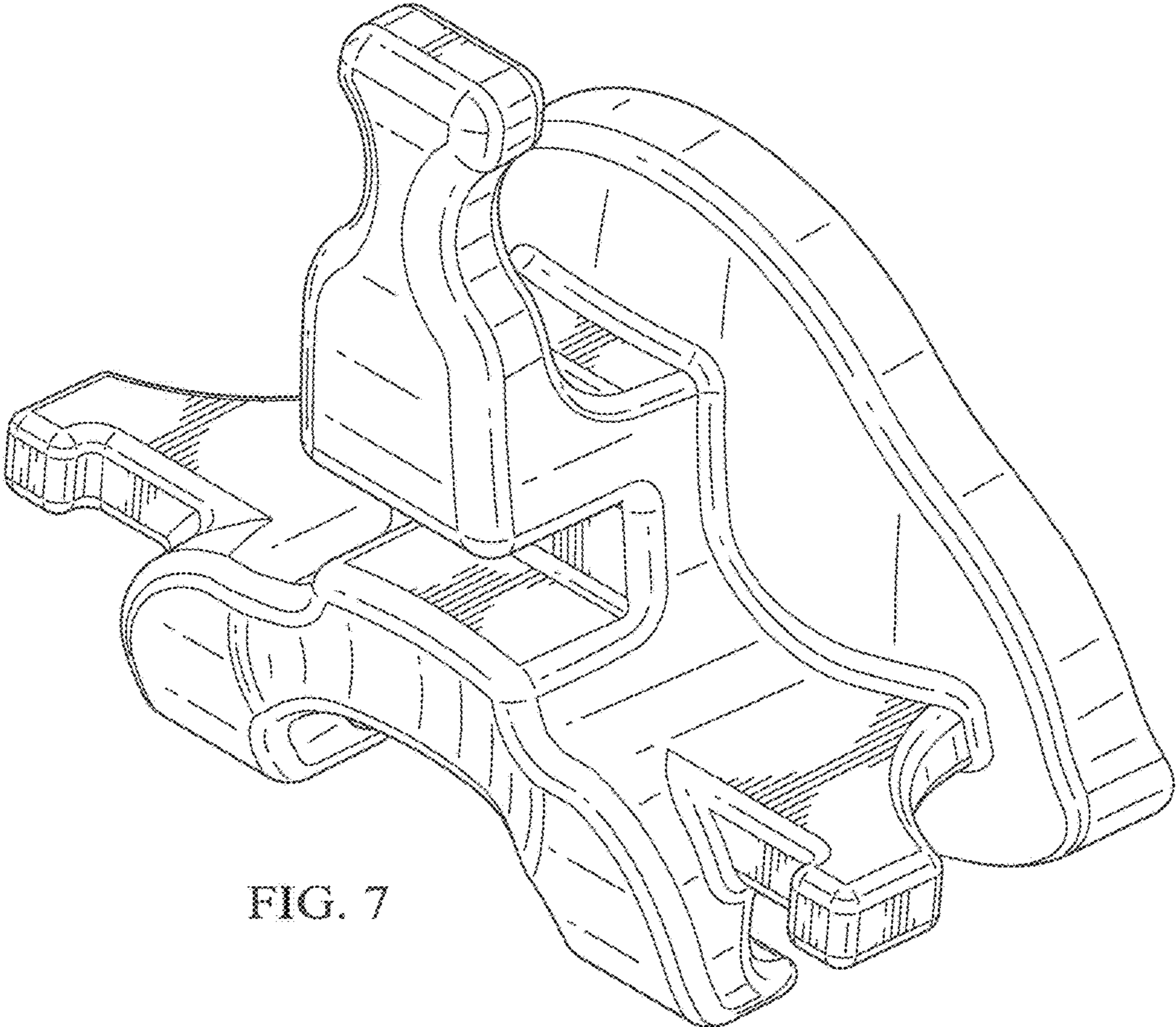


FIG. 6



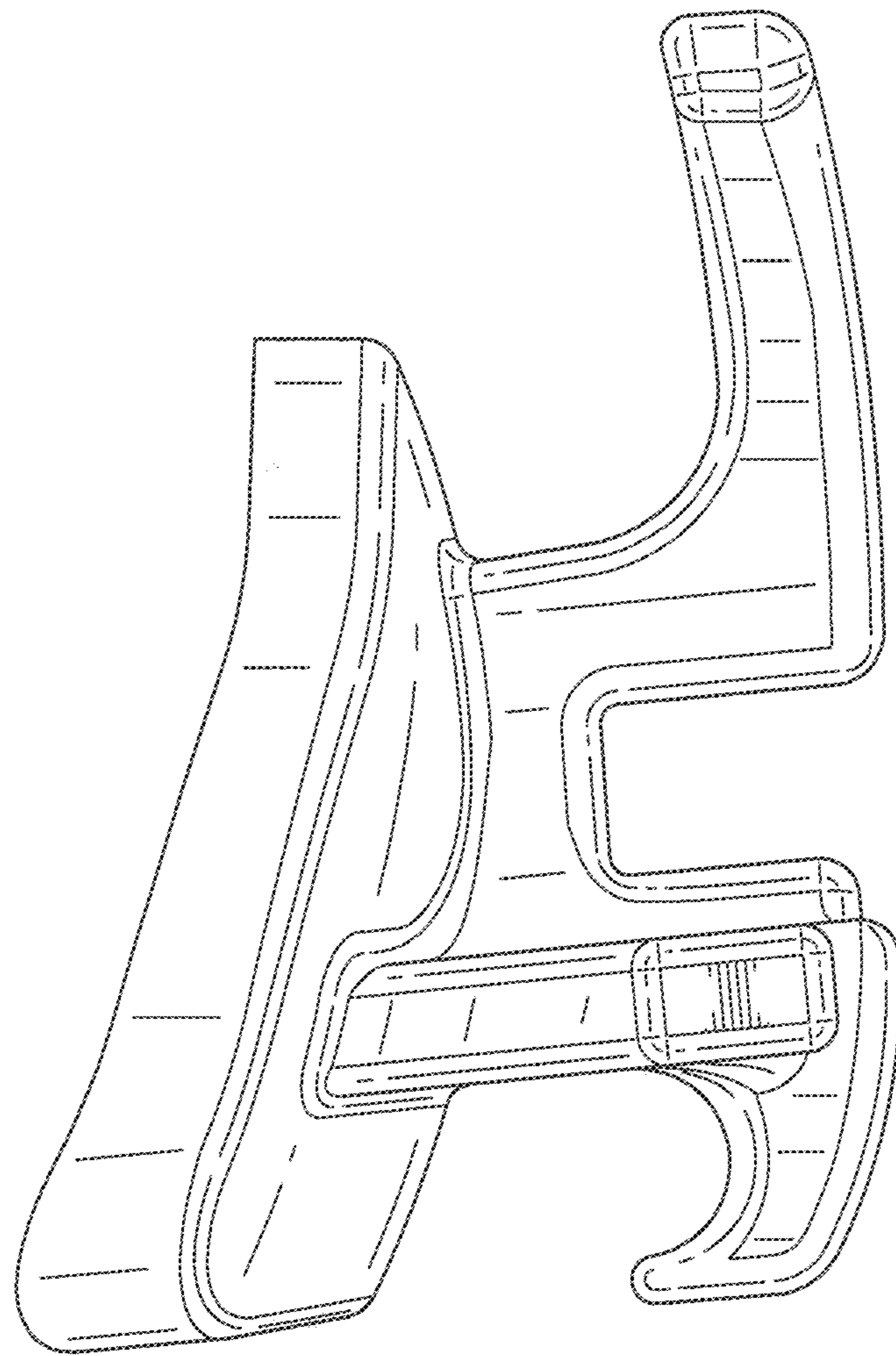


FIG. 8

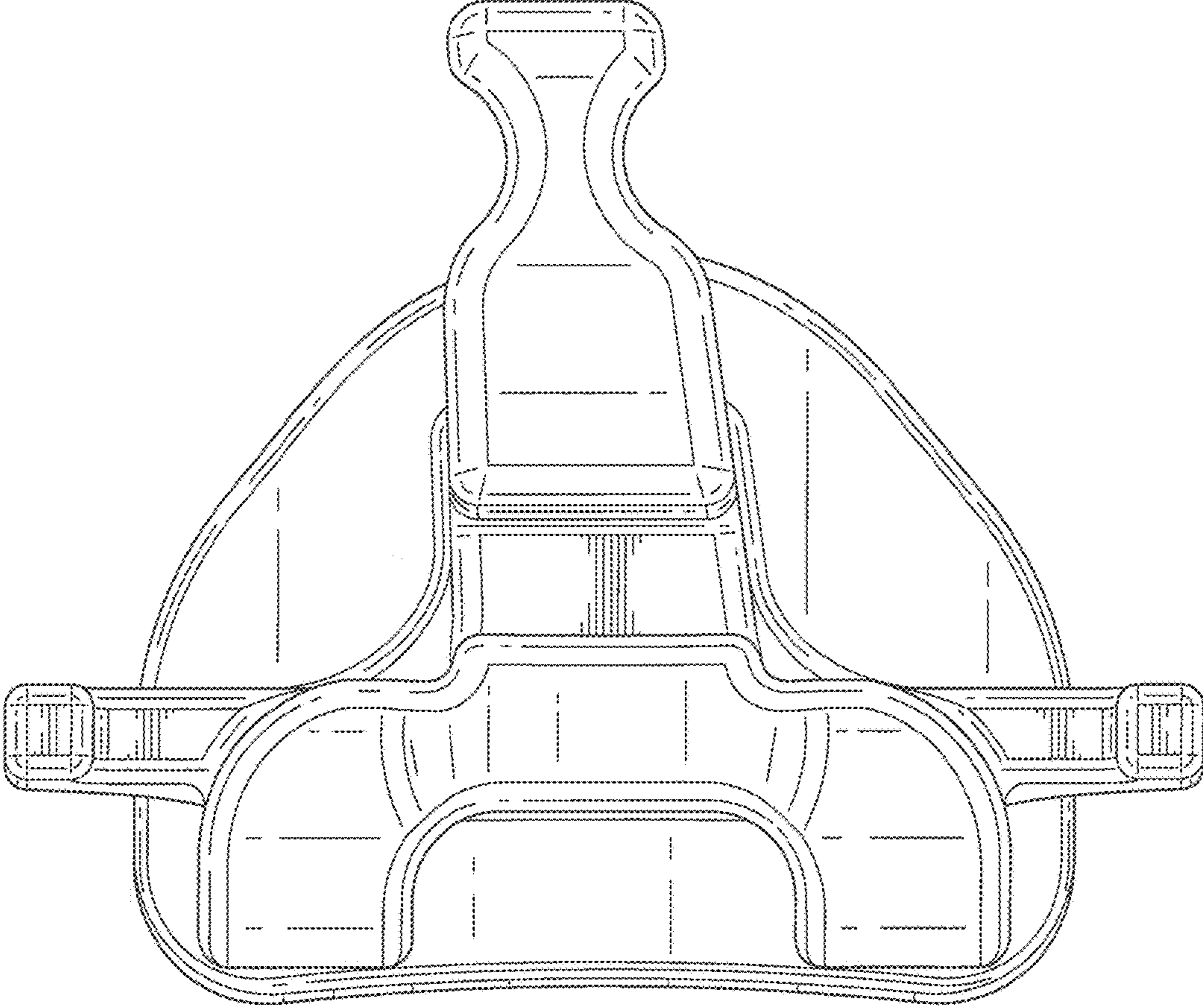


FIG. 9

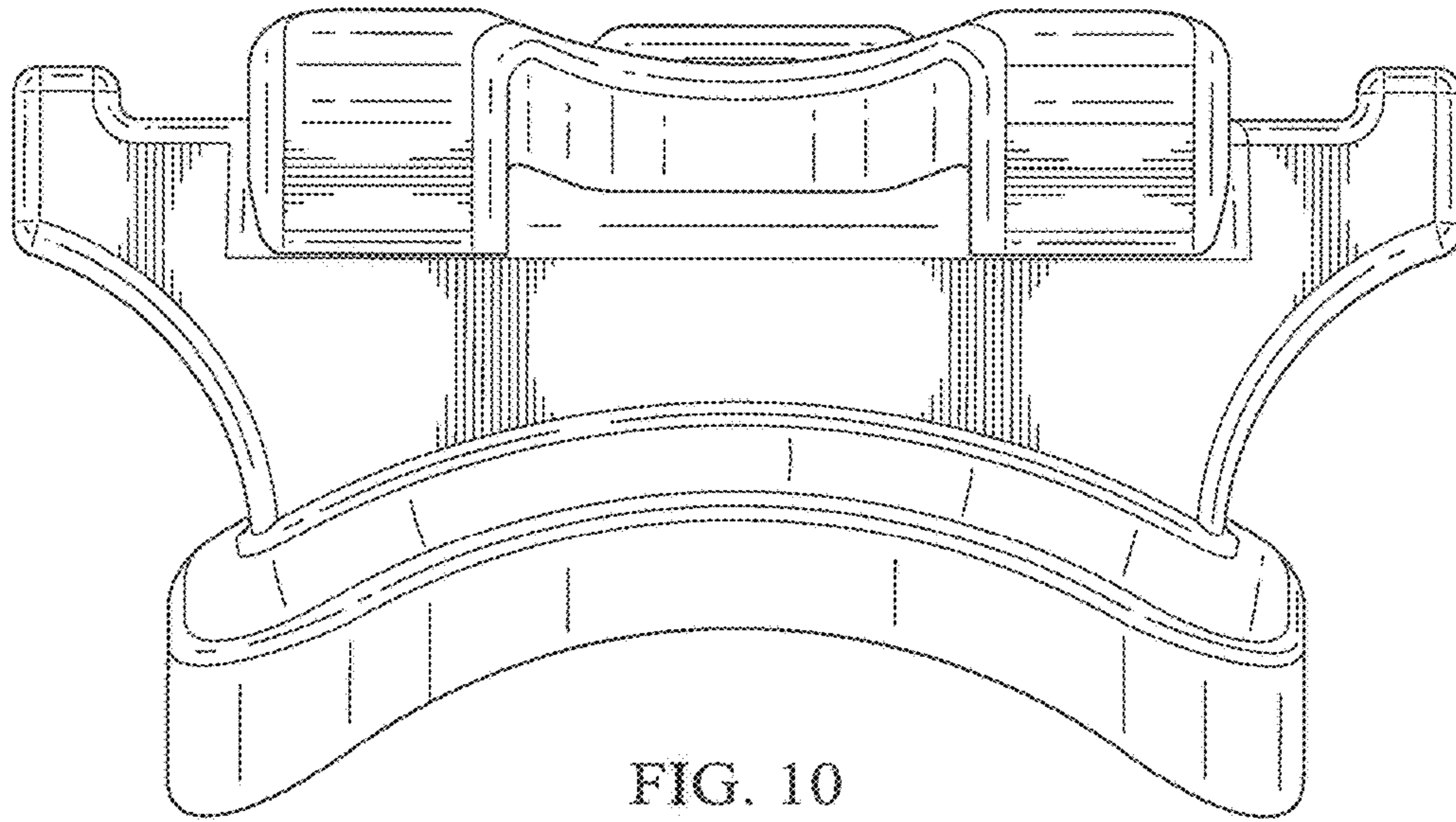


FIG. 10

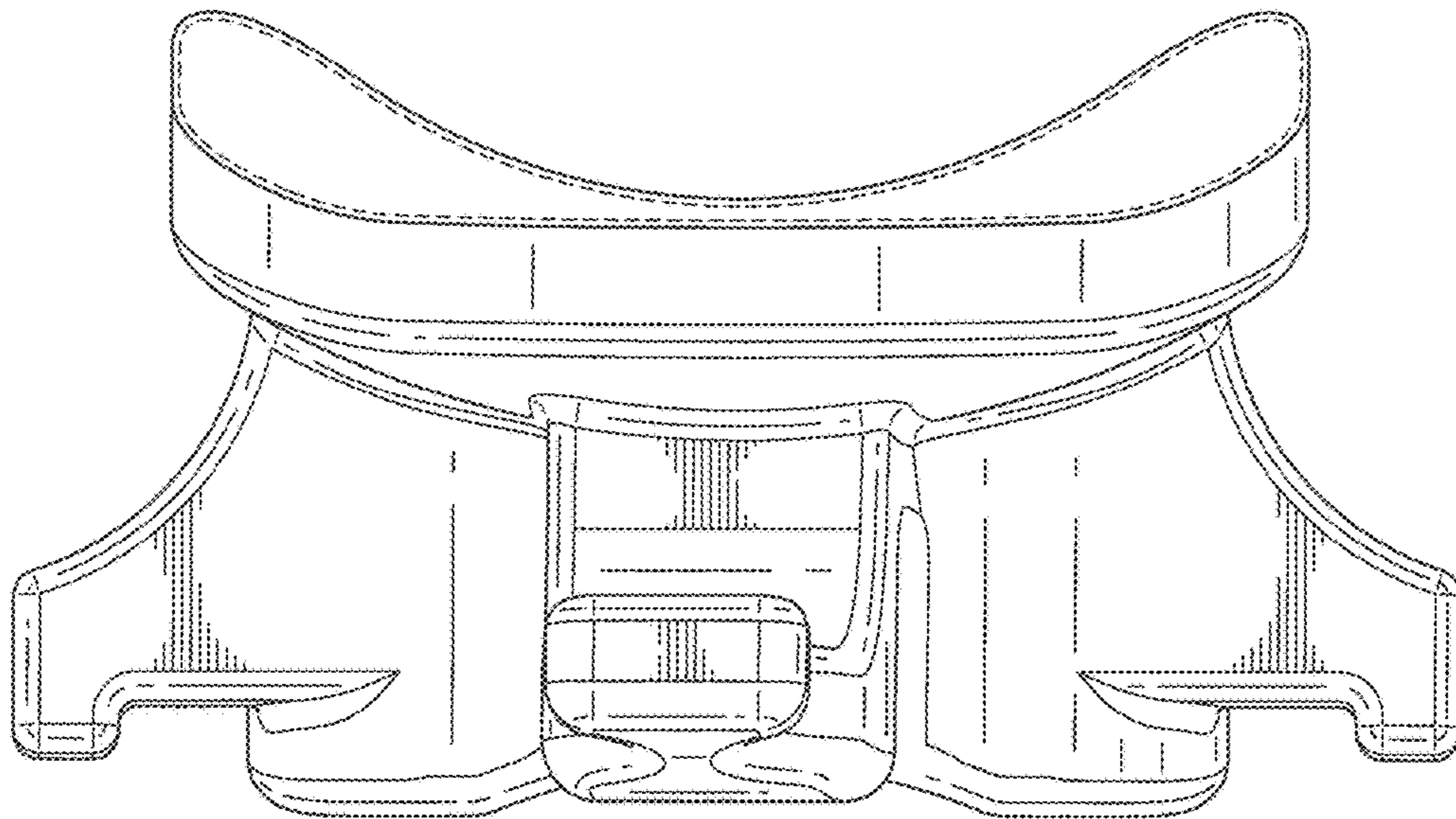


FIG. 11

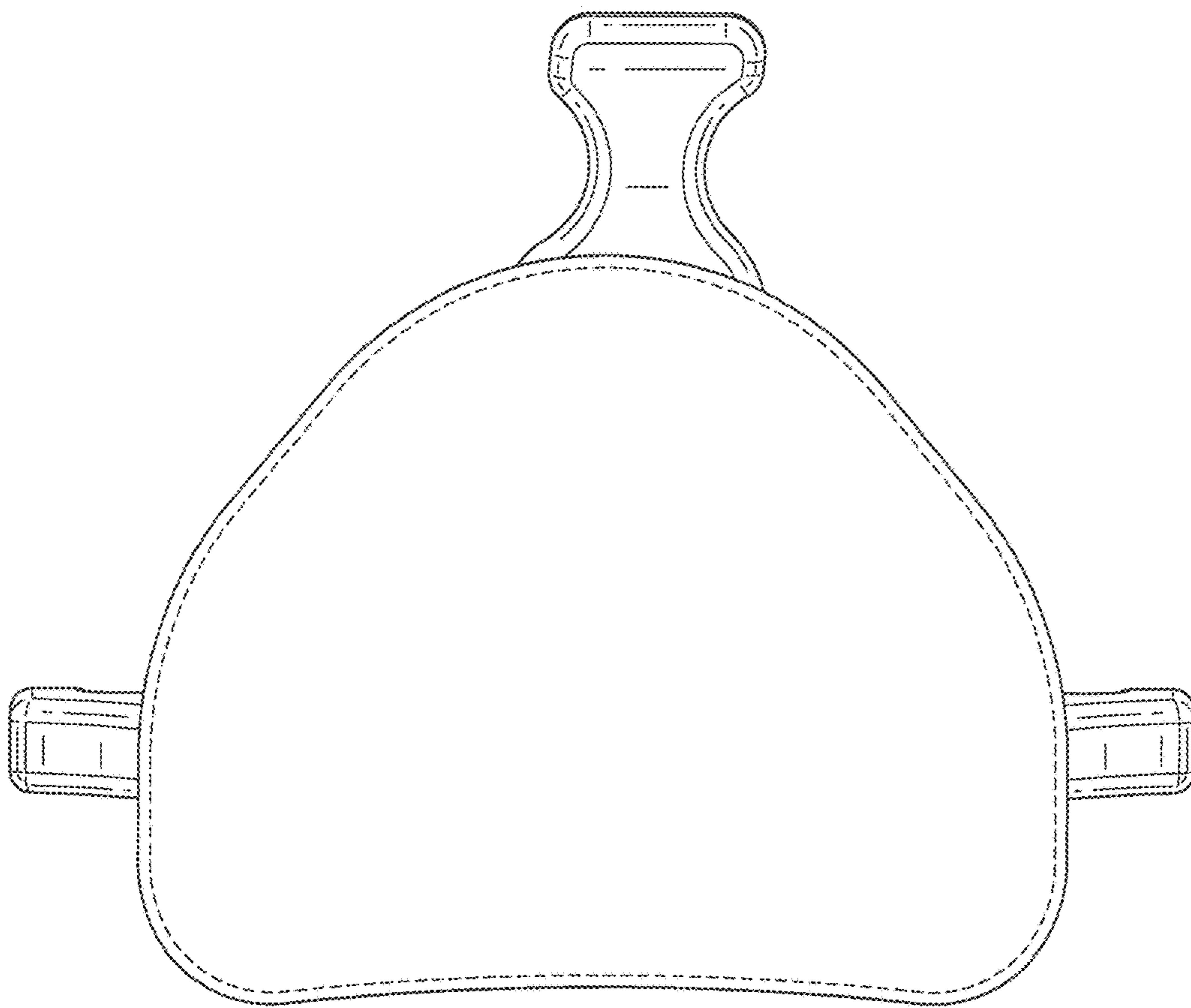


FIG. 12