



US00D810301S

(12) **United States Design Patent** (10) **Patent No.:** **US D810,301 S**
Gossman (45) **Date of Patent:** **** Feb. 13, 2018**

- (54) **PAIR OF MIDFOOT INSOLES**
- (71) Applicant: **Laina Gossman**, San Diego, CA (US)
- (72) Inventor: **Laina Gossman**, San Diego, CA (US)
- (**) Term: **15 Years**
- (21) Appl. No.: **29/554,700**
- (22) Filed: **Feb. 14, 2016**
- (51) **LOC (11) Cl.** **24-00**
- (52) **U.S. Cl.**
USPC **D24/171**
- (58) **Field of Classification Search**
USPC D24/171, 192, 189; D2/961, 960, 946;
36/140, 153, 22 A, 43
CPC A43B 13/141; A43B 17/03; A43B 13/38;
A43B 7/149
See application file for complete search history.

(56) **References Cited**

U.S. PATENT DOCUMENTS

2,384,481	A *	9/1945	Margolin	A43B 13/141 36/140
2,645,865	A *	7/1953	Town	A43B 17/03 36/153
3,058,240	A	10/1962	Osgood		
3,066,426	A *	12/1962	Strickland	A43B 13/38 36/22 A
3,257,742	A	6/1966	Feinberg		
4,627,177	A	12/1986	Meyers		
5,782,015	A	7/1998	Dananberg		
D461,300	S *	8/2002	Hall	D2/961
D462,510	S	9/2002	Goodrich et al.		
D497,474	S	10/2004	Romero Sanchez		
D498,043	S	11/2004	Walker		
6,883,253	B2	4/2005	Smith		
D558,435	S *	1/2008	Masoodifar	D2/960
D580,640	S *	11/2008	Wurzburg	D2/946
D594,198	S	6/2009	Kosmas		

(Continued)

Primary Examiner — Rhea Shields
(74) Attorney, Agent, or Firm — Reem Allos

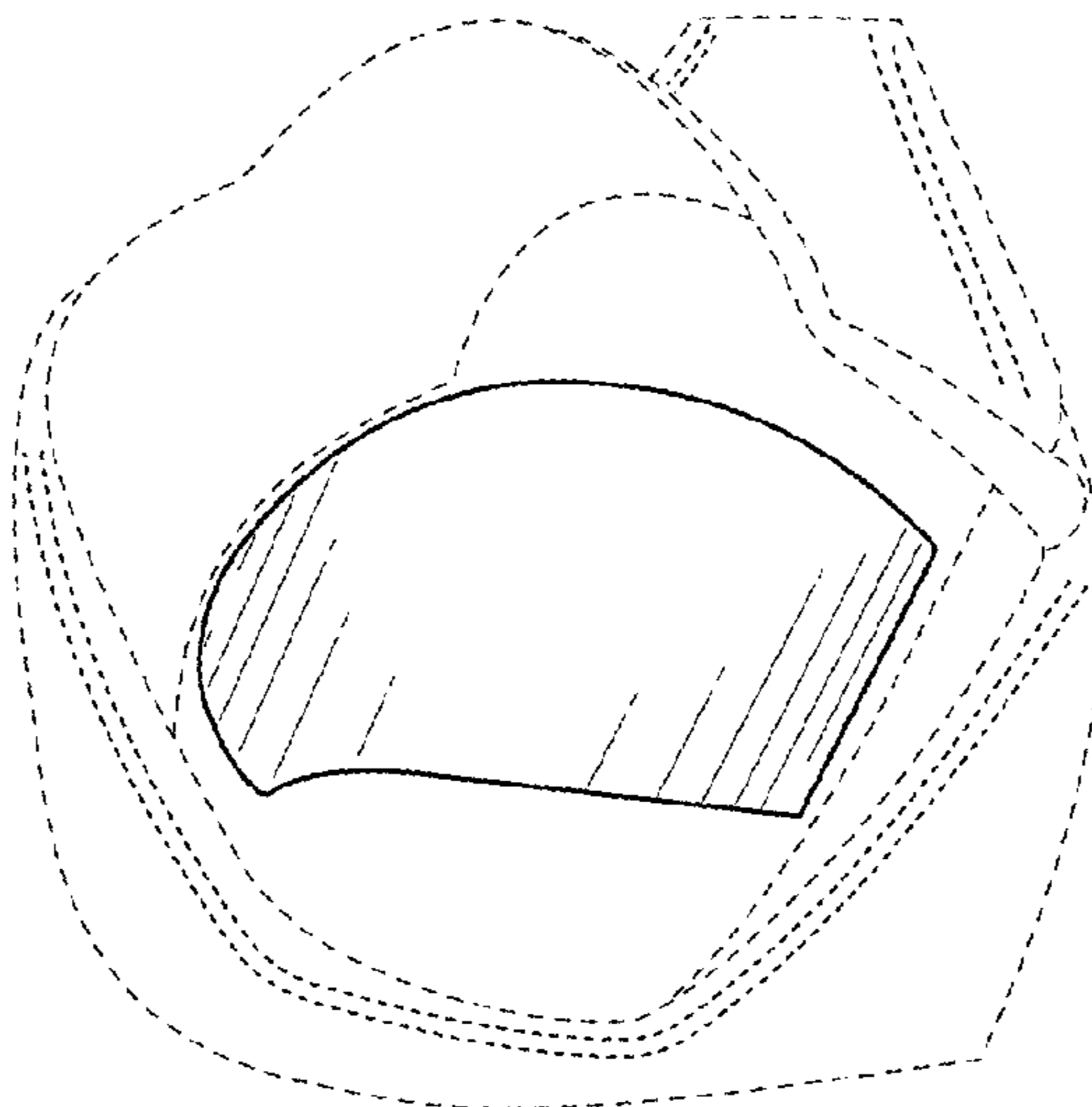
(57) **CLAIM**

The ornamental design for a pair of midfoot insoles, as shown and described.

DESCRIPTION

FIG. 1 is a perspective rear view of the right midfoot insole of the pair of midfoot insoles; shown in an environment and showing my new design;
 FIG. 2 is a top plan view of the left midfoot insole of the pair of midfoot insoles;
 FIG. 3 is a top perspective view of the pair of midfoot insoles with the pair of midfoot insoles outlined for clarity, shown in another environment;
 FIG. 4 is a bottom plan view of the left midfoot insole of the pair of midfoot insoles, showing in another embodiment;
 FIG. 5 is top side perspective view of the left midfoot insole of the pair of midfoot insoles;
 FIG. 6 is a bottom side perspective view of the left midfoot insole of the pair of midfoot insoles;
 FIG. 7 is another bottom side perspective view of the left midfoot insole of the pair of midfoot insoles;
 FIG. 8 is a front view of the right midfoot insole of the pair of midfoot insoles; and,
 FIG. 9 is a front cross section view of the left midfoot insole of the pair of midfoot insoles as shown in FIG. 2.
 The drawings illustrate a pair of midfoot insoles including a right and a left. The right is a mirror image of the left. In the drawings, the broken lines are for the purpose of illustrating environment only and for no part of the claimed design. In the drawings, the dash-dot-dash lines shown in FIGS. 4, 6 and 7 are intended to show the point of bending for each of the pair of insoles. Any shading and cross-hatching are not features of the design, but are utilized to illustrate the surface contours of the midfoot insoles in the drawings.

1 Claim, 2 Drawing Sheets



(56)

References Cited

U.S. PATENT DOCUMENTS

D598,560	S *	8/2009	Powaser	D24/192
D612,139	S	3/2010	Ford	
D628,371	S	12/2010	Yang et al.	
8,042,287	B2	10/2011	Reinhardt et al.	
D663,931	S	7/2012	Allen	
D668,765	S *	10/2012	Sinett	D24/171
D672,125	S	12/2012	Orvitz	
D673,279	S *	12/2012	Huttner	D24/189
D676,637	S	2/2013	Hane	
D693,554	S	11/2013	Philipp	
D723,786	S	3/2015	Martinez et al.	
D746,568	S	1/2016	Piontkowski	
D747,085	S	1/2016	Piontkowski	
D780,318	S *	2/2017	Kandler	D24/192
2005/0120463	A1	6/2005	Cacioppo	
2007/0294920	A1	12/2007	Baychar	
2008/0069848	A1	3/2008	Peters	
2008/0229482	A1	9/2008	Millet	
2008/0229612	A1	9/2008	Sommer et al.	
2010/0005566	A1	1/2010	Gabe	
2013/0340281	A1 *	12/2013	Gossman	A43B 13/38 36/43
2017/0164687	A1 *	6/2017	Gossman	A43B 7/149

* cited by examiner

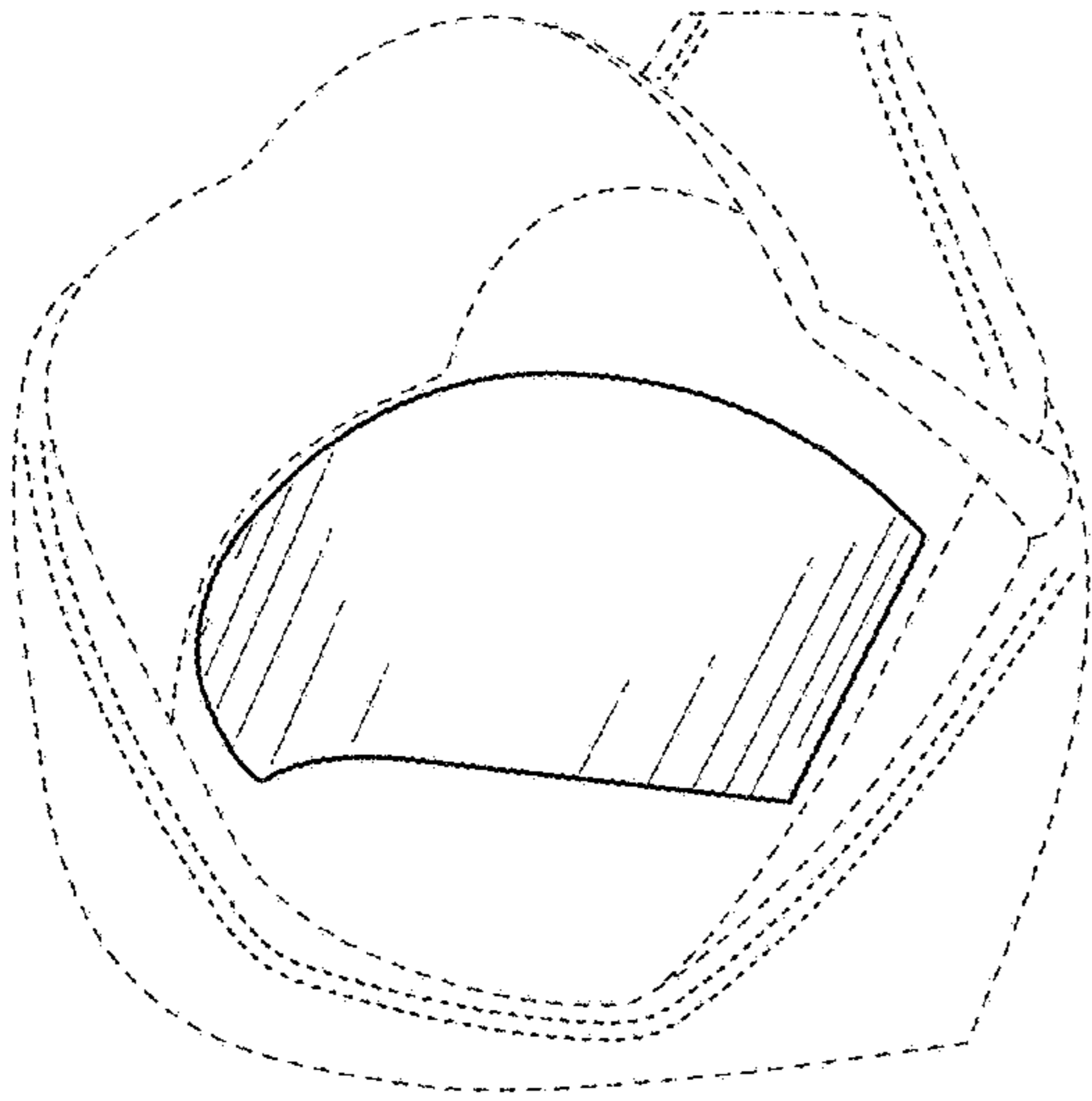


FIG. 1

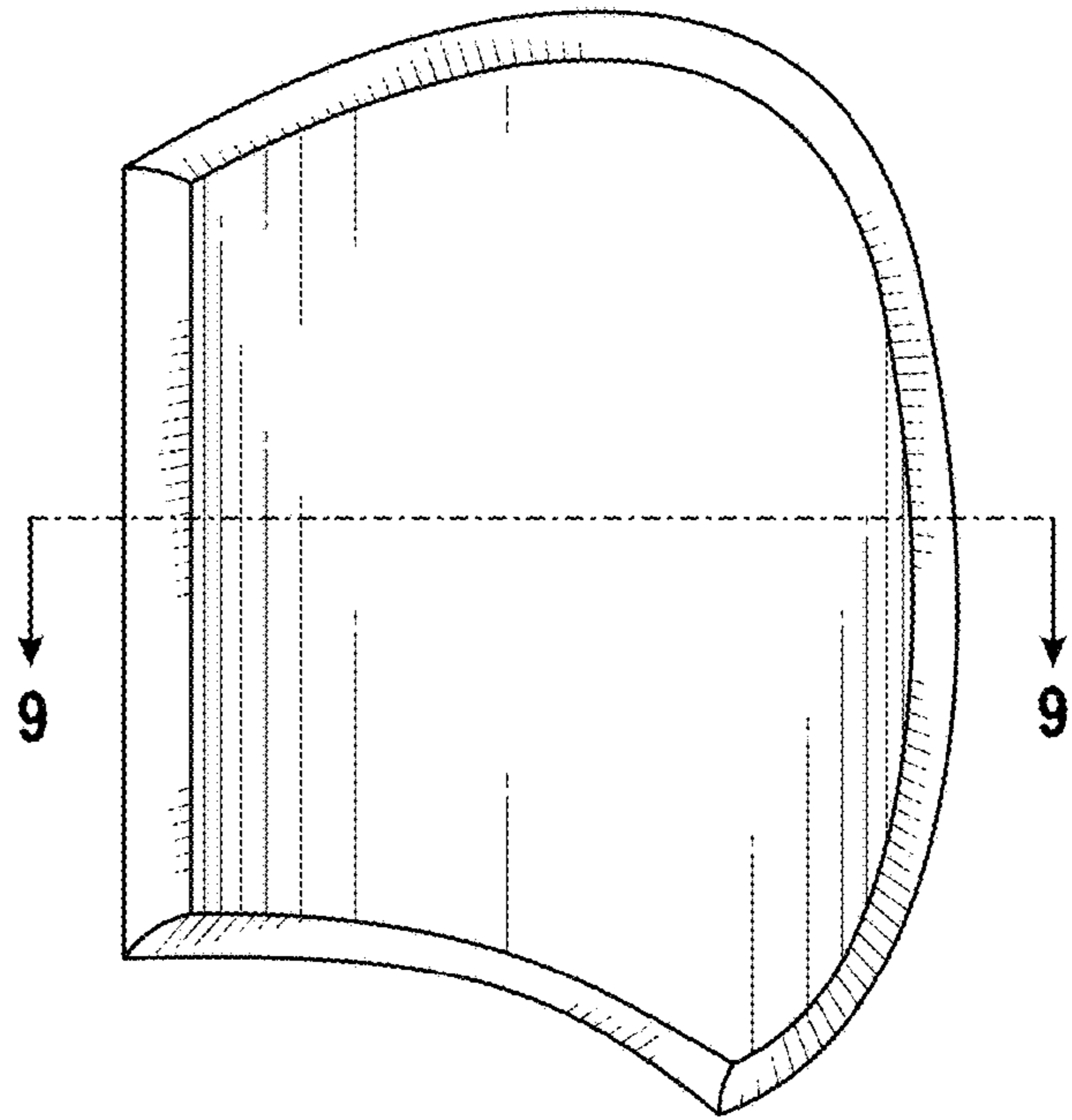


FIG. 2

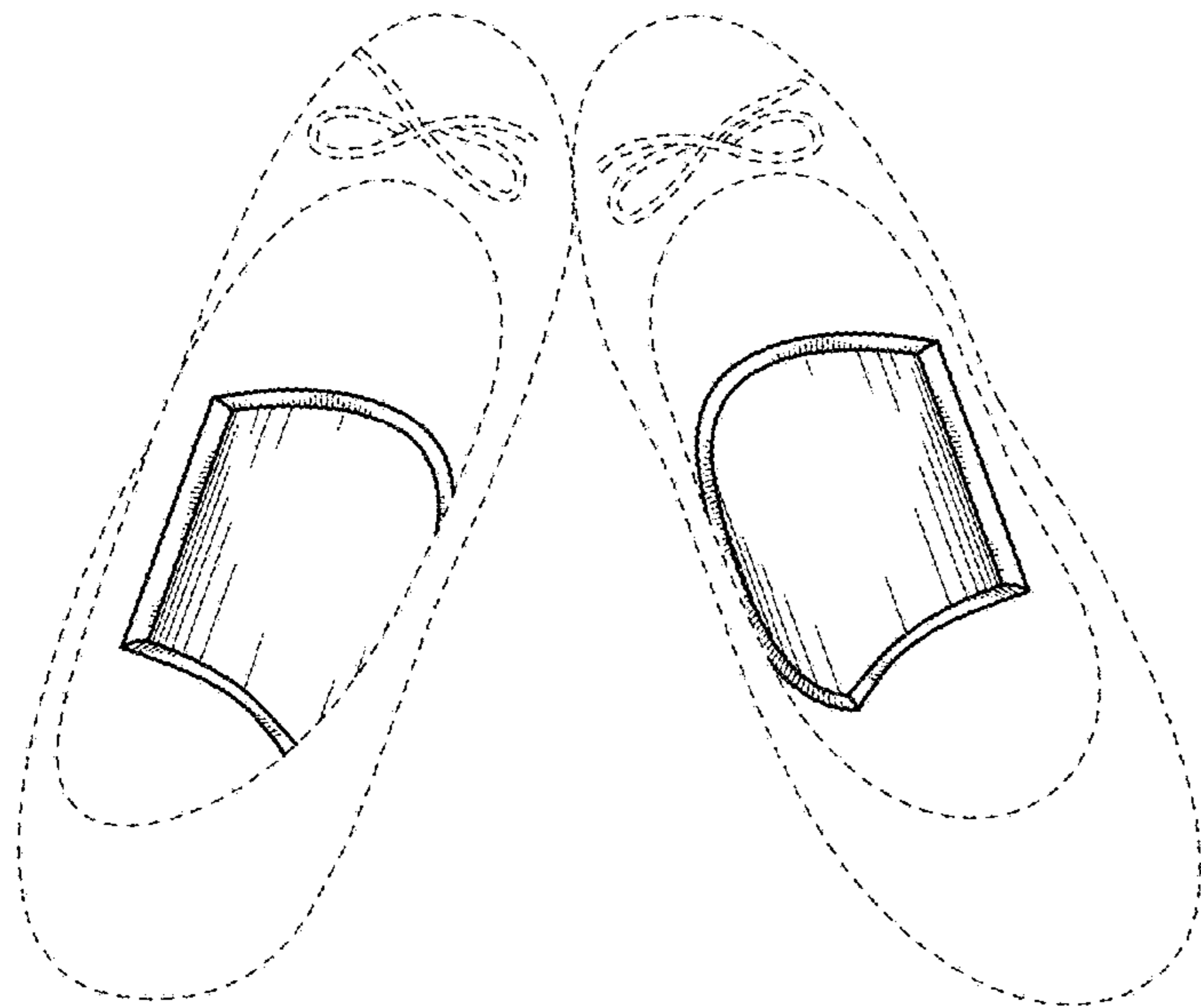


FIG. 3

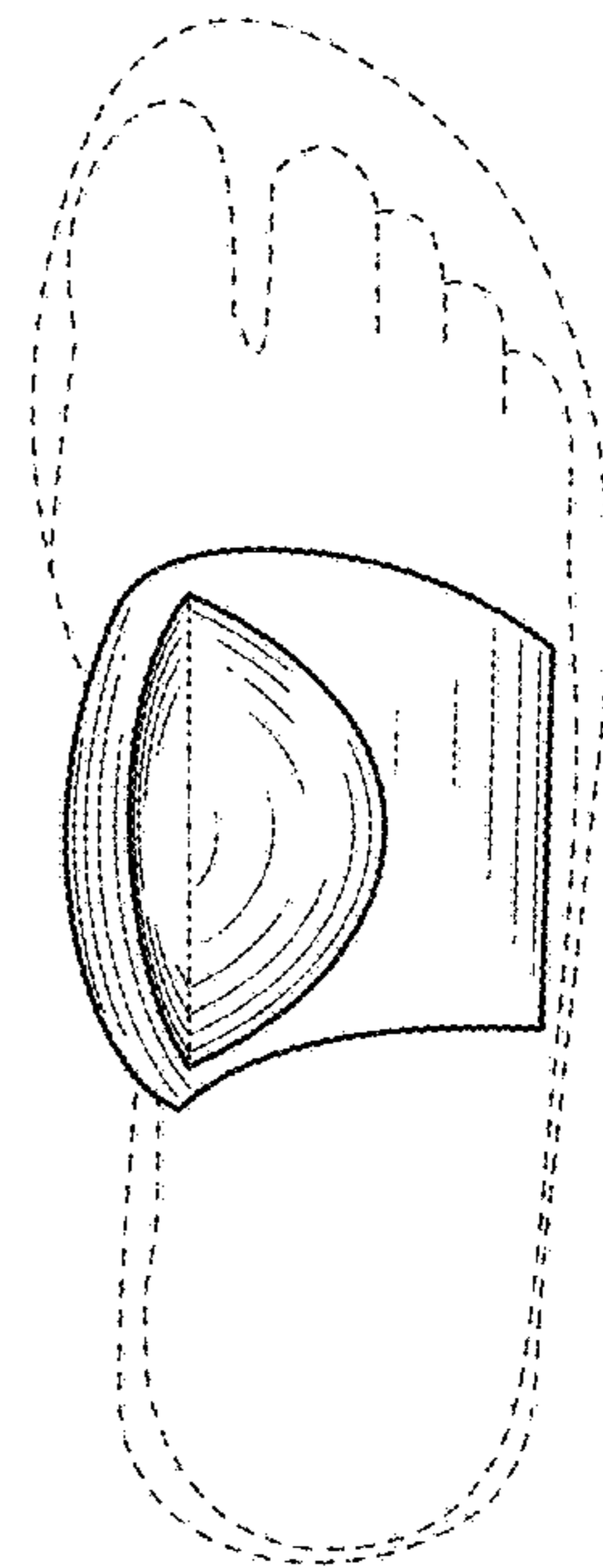


FIG. 4

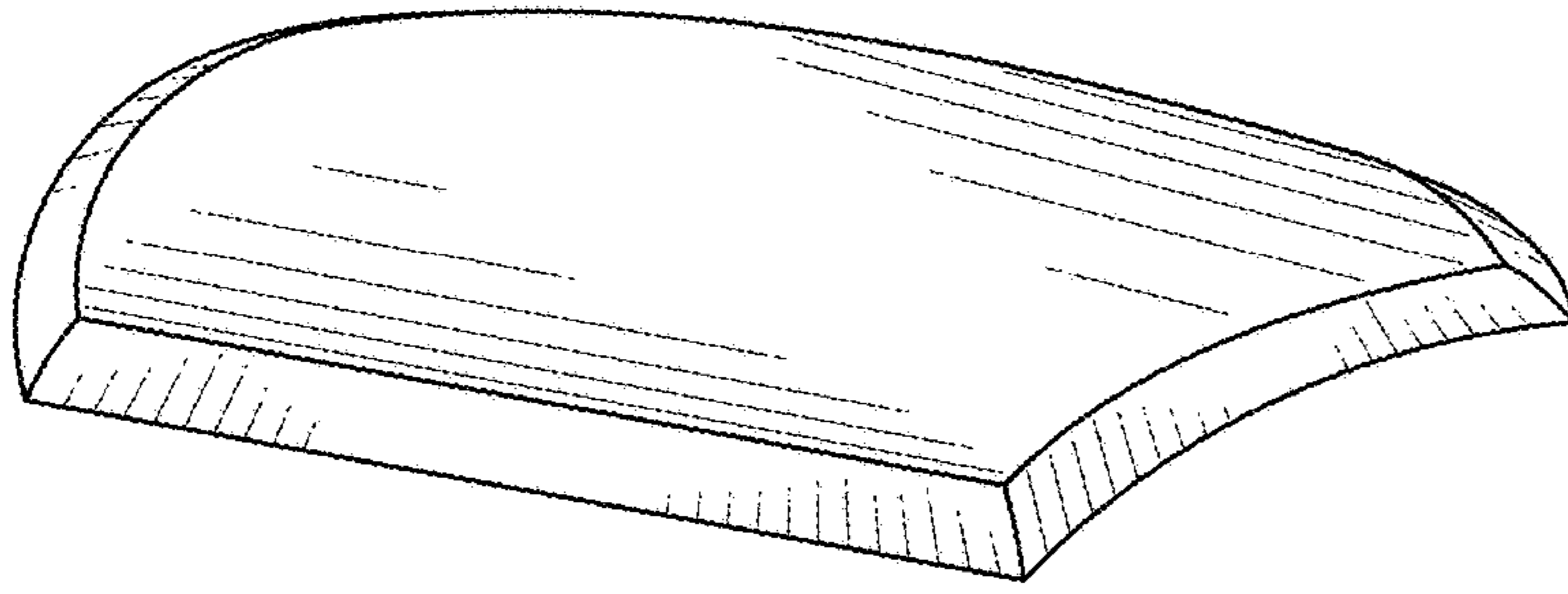


FIG. 5

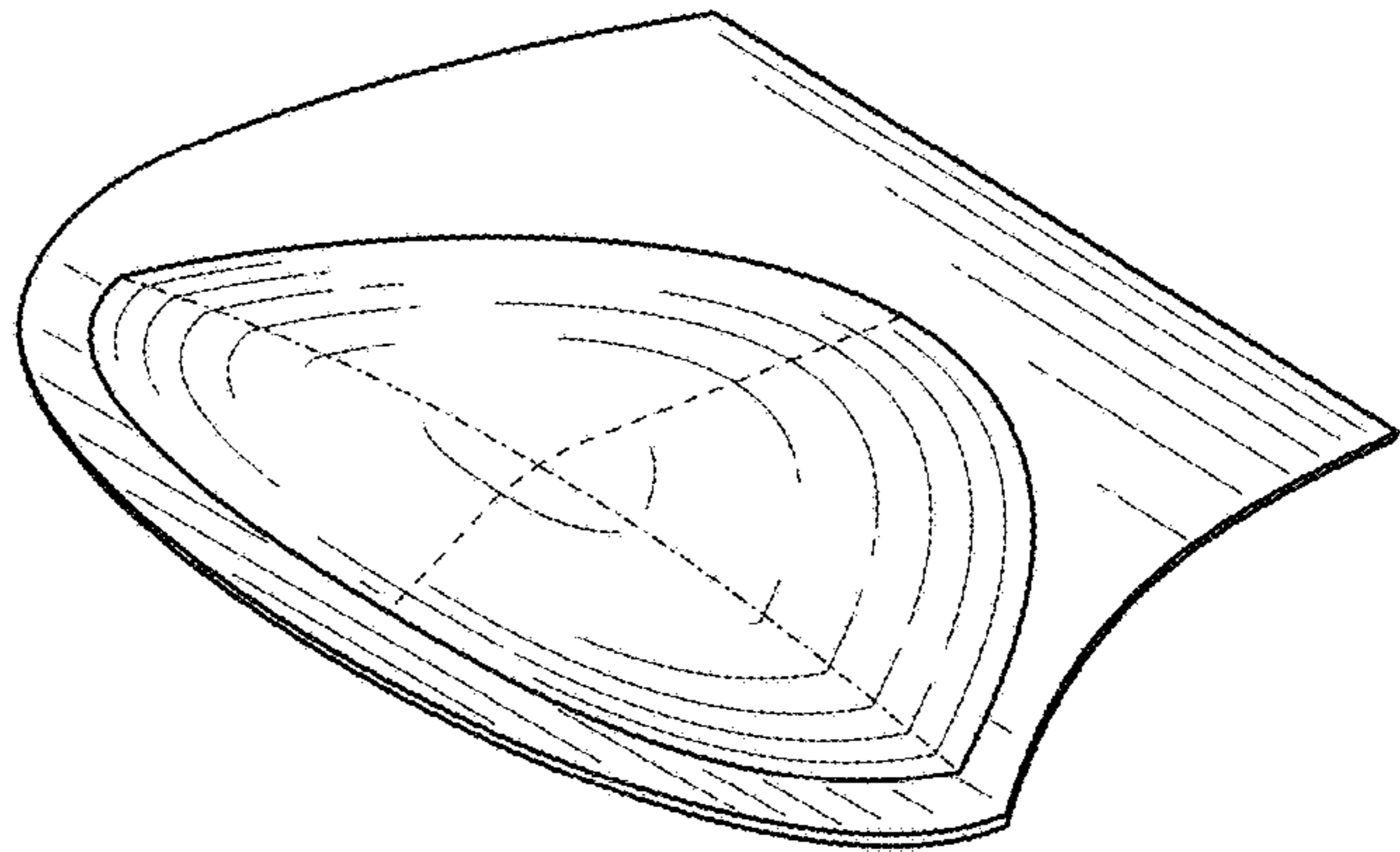


FIG. 6

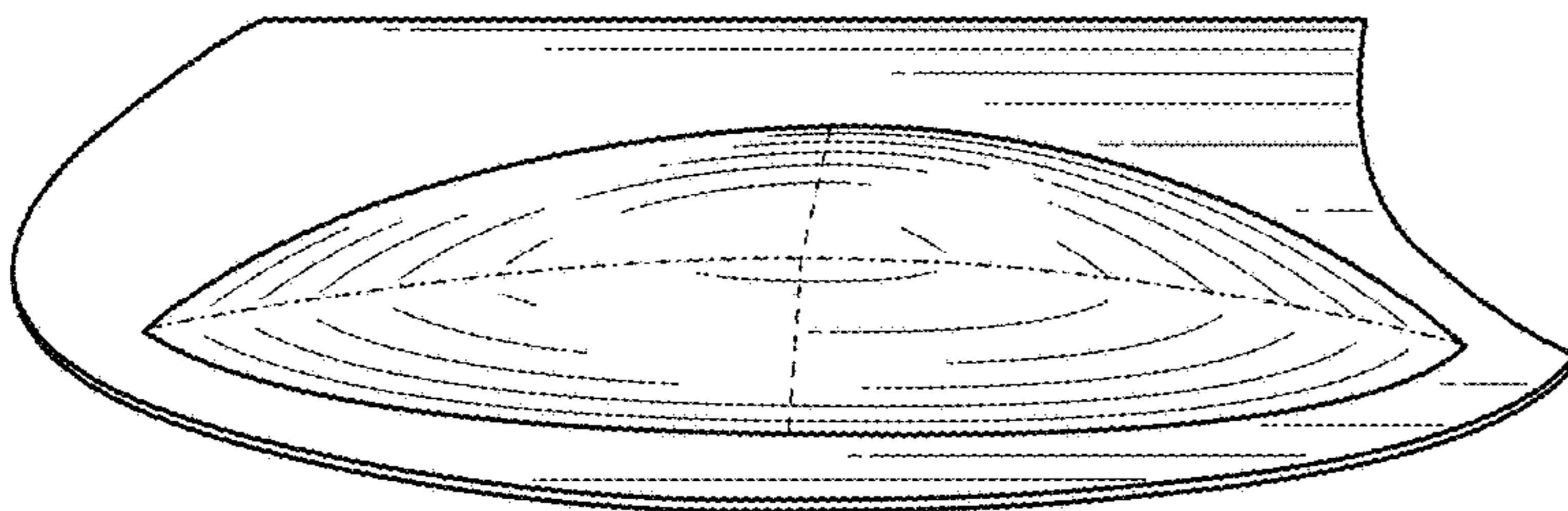


FIG. 7

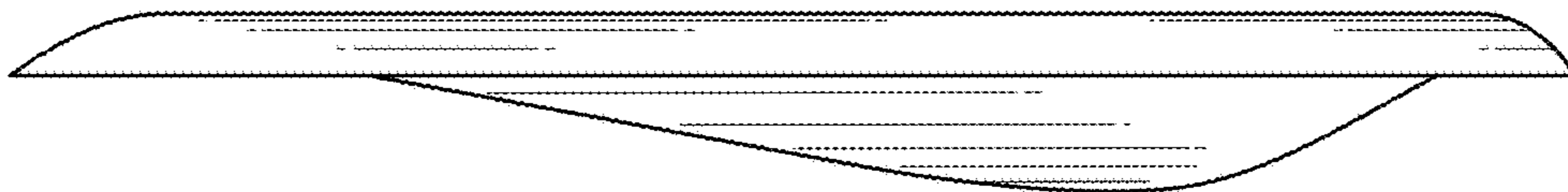


FIG. 8

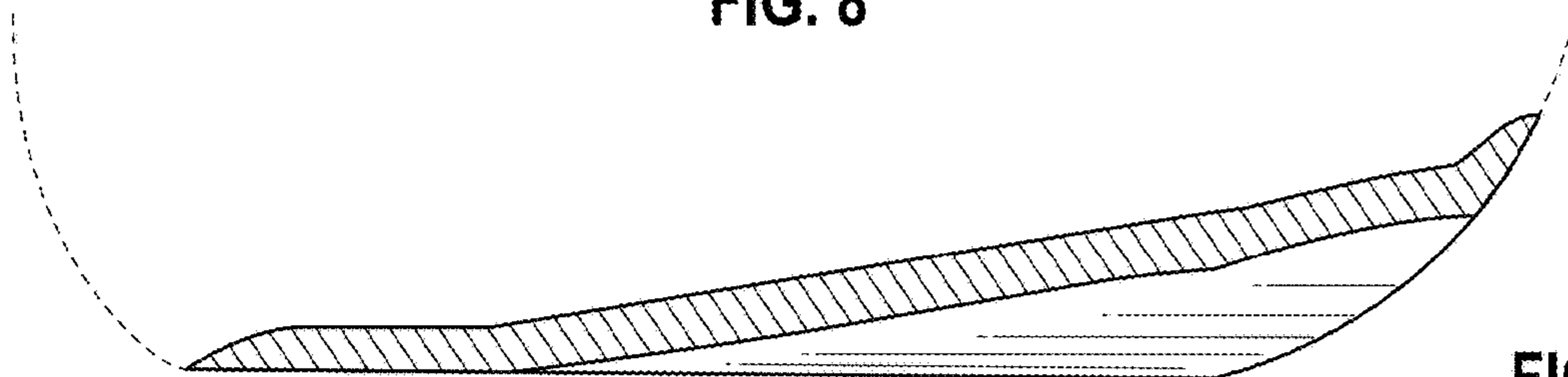


FIG. 9