



US00D810299S

(12) **United States Design Patent** (10) **Patent No.:** **US D810,299 S**
Milligan et al. (45) **Date of Patent:** **** Feb. 13, 2018**

(54) **BATTERY OF A POWERED AIR PURIFYING RESPIRATOR**

5,103,815 A * 4/1992 Siegel A62B 7/00
128/205.23

D332,442 S * 1/1993 Simpson, Sr. D13/119
5,230,101 A 7/1993 Hedges

(Continued)

(71) Applicant: **LINCOLN GLOBAL, INC.**, City of Industry, CA (US)

(72) Inventors: **Jack Lee Milligan**, Mentor, OH (US);
Jamy Edward Bulan, Lakewood, OH (US)

OTHER PUBLICATIONS

3M TM Versaflo TM Powered Air Purifying Respirator TR-600; Heavy Industry Evolve to TR-600; 3M Personal Safety Division; pp. 1-3; estimated Jan. 2014.

(Continued)

(73) Assignee: **LINCOLN GLOBAL, INC.**, City of Industry, CA (US)

(**) Term: **15 Years**

Primary Examiner — Rhea Shields

(74) *Attorney, Agent, or Firm* — Perkins Coie LLP

(21) Appl. No.: **29/529,655**

(22) Filed: **Jun. 9, 2015**

(57) **CLAIM**

The ornamental design for a battery of a powered air purifying respirator, as shown and described.

(51) **LOC (11) Cl.** **24-00**

(52) **U.S. Cl.**
USPC **D24/164**

DESCRIPTION

(58) **Field of Classification Search**
USPC D24/164, 110.1, 110, 186, 172, 162;
D13/108, 119, 103; 128/205.12, 200.13,
128/200.17, 200.11, 205.23
CPC A62B 7/00; A61M 16/16; A61M 11/00;
A61M 16/167; B01D 53/04
See application file for complete search history.

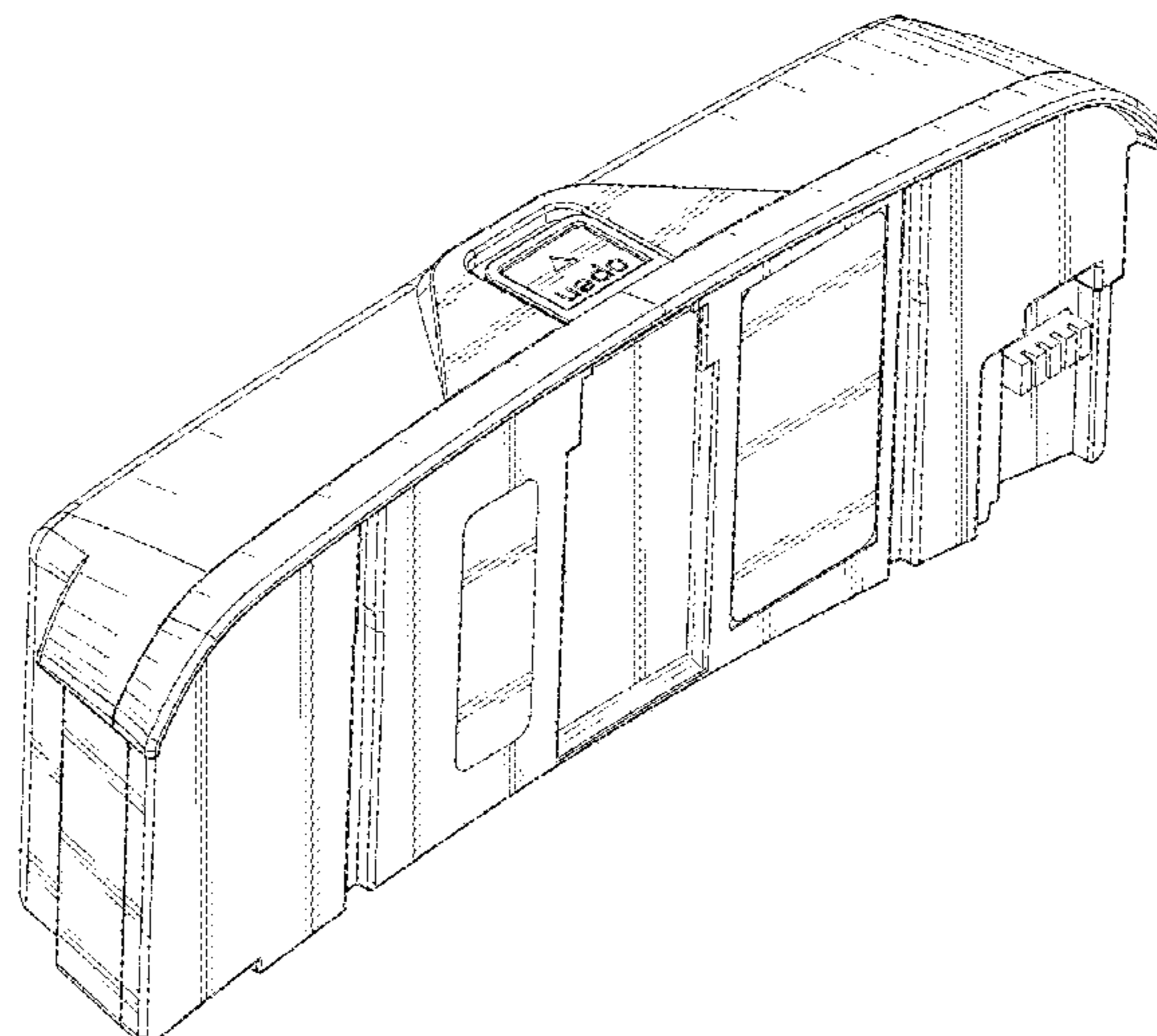
FIG. 1 is a perspective view of the design for the battery of a powered air purifying respirator;
FIG. 2 is a front view of a design for the battery of a powered air purifying respirator;
FIG. 3 is a bottom view of a design for the battery of a powered air purifying respirator;
FIG. 4 is a back view of a design for the battery of a powered air purifying respirator;
FIG. 5 is a top view of a design for the battery of a powered air purifying respirator;
FIG. 6 is a right hand view of a design for the battery of a powered air purifying respirator; and,
FIG. 7 is a left hand view of a design for the battery of a powered air purifying respirator.
In these drawings, the solid lines illustrate the claimed ornamental design, whereas the broken lines illustrate environmental features that form no part of the claimed ornamental design.

(56) **References Cited**

U.S. PATENT DOCUMENTS

- 3,806,102 A * 4/1974 Valenta A61M 16/16
128/200.13
- 3,812,853 A * 5/1974 Crain A61M 11/00
128/200.17
- 3,982,095 A * 9/1976 Robinson A61M 16/167
128/200.11
- D255,029 S * 5/1980 Brownlie D13/108
- D259,954 S * 7/1981 Reichl D13/108
- 4,502,873 A * 3/1985 Mottram B01D 53/04
417/269
- 5,091,997 A 3/1992 Foehl

1 Claim, 4 Drawing Sheets



(56)

References Cited

U.S. PATENT DOCUMENTS

5,461,731	A	10/1995	Shida	
5,924,420	A	7/1999	Reischel	
D416,649	S	11/1999	Burns	
6,014,971	A	1/2000	Danish	
6,016,805	A	1/2000	Burns	
6,035,451	A	3/2000	Burns	
6,062,221	A	5/2000	Brostrom	
6,081,931	A	7/2000	Burns	
6,102,033	A	8/2000	Baribeau	
6,123,077	A	9/2000	Bostock	
6,186,140	B1	2/2001	Hoague	
D439,878	S *	4/2001	Ark	D13/103
6,250,299	B1	6/2001	Danisch	
6,279,572	B1	8/2001	Danisch	
6,298,498	B1	10/2001	Burns	
6,367,085	B1	4/2002	Berg	
6,438,763	B2	8/2002	Guay	
6,575,165	B1	6/2003	Cook	
6,666,209	B2	12/2003	Bennett	
D486,916	S *	2/2004	Cheung	D24/186
6,895,960	B2	5/2005	Fabin	
7,093,302	B1	8/2006	Burns	
7,197,774	B2	4/2007	Curran	
7,594,278	B2	9/2009	Huh	
7,748,381	B2	7/2010	Croll	
7,841,026	B2	11/2010	Makris	
7,865,968	B2	1/2011	Lilenthal	
D632,375	S	2/2011	Curran	
8,056,152	B2	11/2011	Brace	
8,082,600	B2	12/2011	Morin	
D662,672	S	6/2012	Carlburg	
D666,288	S	8/2012	Bainton	
D668,326	S	10/2012	Bainton	
D675,789	S	2/2013	Wanhainen	
8,387,162	B2	3/2013	Huh	
8,505,121	B2	8/2013	Ahlgren	
8,584,265	B2	11/2013	Lilenthal	
8,627,517	B2	1/2014	Ahlgren	
8,745,770	B2	6/2014	Ahlgren	
8,806,662	B2	8/2014	Huh	
8,821,621	B2	9/2014	Dwyer	
8,839,788	B2	9/2014	Betz	
8,875,318	B2	11/2014	Huh	
8,955,162	B2	2/2015	Huh	
D728,777	S	5/2015	Spear	
D731,123	S	6/2015	Spear	
9,066,552	B2	6/2015	Ahlgren	
D745,137	S *	12/2015	Pipe	D24/108
D756,519	S *	5/2016	Adams	D24/164
D790,685	S *	6/2017	Silkaitis	D24/110.5
D791,329	S *	7/2017	Verma	D24/164

OTHER PUBLICATIONS

3M TM Versaflo TM Powered Air Purifying Respirator TR-600; Pharmaceutical to TR-600; 3M Personal Safety Division; pp. 1-3; estimated Jan. 2014.

3M TM Versaflo TM Powered Air Purifying Respirator TR-600; Evolve to TR-600; 3M Personal Safety Division; pp. 1-2; estimated Jan. 2014.

Powered Air-Purifying Respirator (PAPR); OM-234 936 Rev. K; Owners Manual; www.MillerWelds.com; pp. 1-44; estimated Jan. 2014.

PAPR Powered Air Purifying Respirator; "The Power of the Blue", Welding Protection; Miller Electric Mfg. Co.; www.MillerWelds.com; pp. 1-2; Apr. 2009.

3M TM Personal Safety Division; 3M TM Versaflo TM Powered Air Purifying Respirator TR-600 brochure, Evolve to TR-600, pp. 1-6, estimated Jan. 2014.

3M TM Personal Safety Division; The New 3M TM Versaflo TM Powered Air Purifying Respirator TR-600 brochure, Evolve to TR-600-Heavy Industry, pp. 1-4, estimated Jan. 2014.

3M TM Personal Safety Division; The New 3M TM Versaflo TM Powered Air Purifying Respirator TR-600 brochure, Evolve to TR-600- Pharmaceutical, pp. 1-4, estimated Jan. 2014.

3M TM Versaflo TM Respirator Systems for Healthcare Professionals; Comfort and Simplicity Versatility; 3M.com/Versaflo; pp. 1-4; estimated Jan. 2014.

3M TM Versaflo TM Respirator Systems for Pharmaceutical Applications; Comfort Simplicity Versatility; pp. 1-2; estimated Jan. 2014.

3M TM Versaflo TM Respirator Systems; Comfort Simplicity Versatility; pp. 1-8; estimated Jan. 2014.

3M TM Versaflo TM S-Series Hoods and Headcovers for powered and Supplied Air Respirators; Comfort Simplicity Versatility; pp. 1-12; estimated Jan. 2014.

3M TM Versaflo TM TR-300 Powered Air Purifying Respirators; Protection from Particles; Comfort Simplicity Versatility; pp. 1-4; estimated Jan. 2014.

3M TM Versaflo TM TR-300 Series Parts and Accessories; pp. 1-2; estimated Jan. 2014.

3M TM Versaflo TM Powered Air Purifying Respirator TR-600 Assemblies; TR-600 Series Quick Start Guide; pp. 1-2; estimated Jan. 2014.

3M TM Versaflo TM TR-300 Series Parts and Accessories; 3M.com/PPESafety; pp. 1; estimated Jan. 20.

PAPR Powered Air Purifying Respirator; Welding Protection; Miller Electric Mfg. Co.; pp. 1-2; estimated Jan. 2014.

U.S. Appl. No. 14/191,658, filed Feb. 27, 2014, Method of Making a Filter Seal.

U.S. Appl. No. 29/529,652, filed Jun. 9, 2015, Main Body of Powered Air Purifying Respirator.

U.S. Appl. No. 29/529,656, filed Jun. 9, 2015, Filter Cover of Powered Air Purifying Respirator.

U.S. Appl. No. 29/529,657, filed Jun. 9, 2015, Extended Battery of Powered Air Purifying Respirator.

U.S. Appl. No. 29/529,660, filed Jun. 9, 2015, Belt Bracket of Powered Air Purifying Respirator.

* cited by examiner

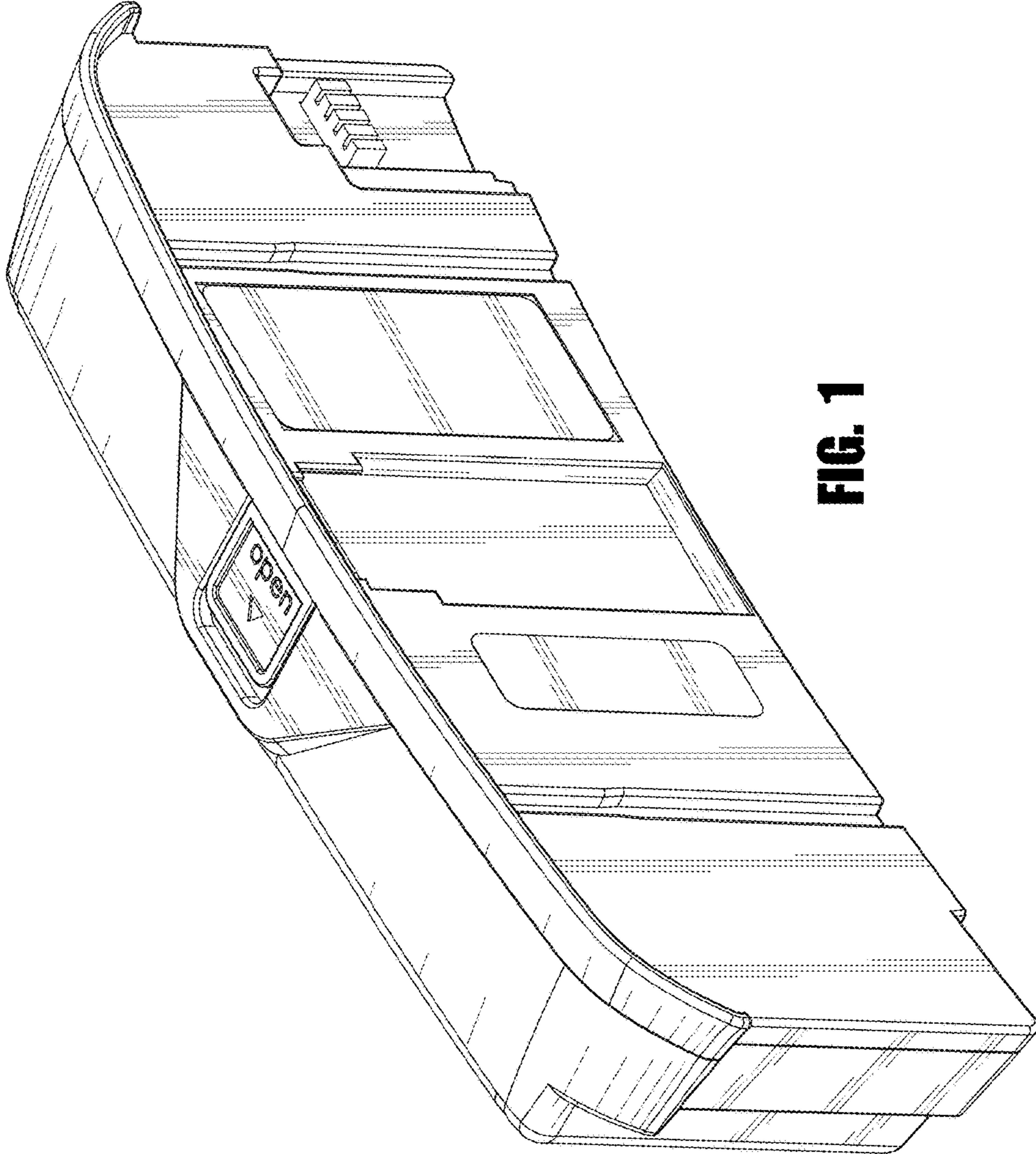


FIG. 1

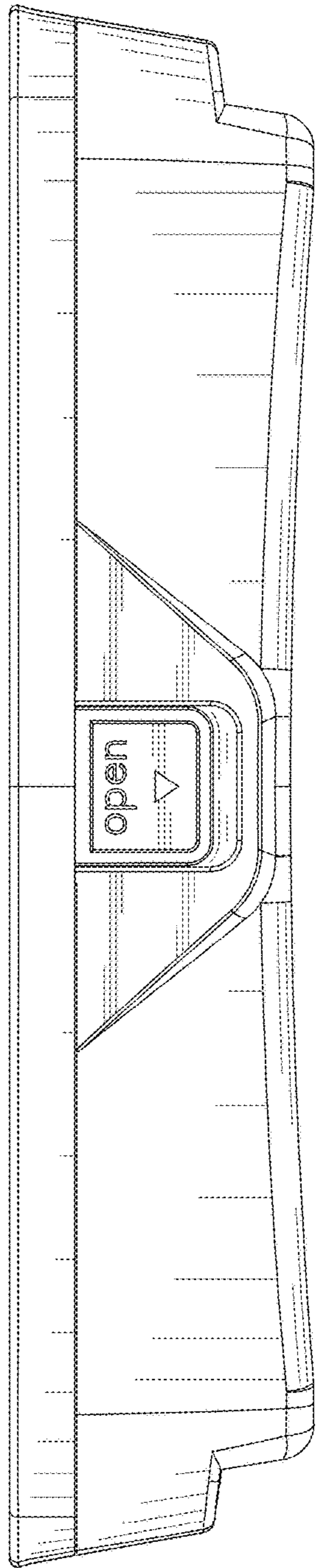


FIG. 2

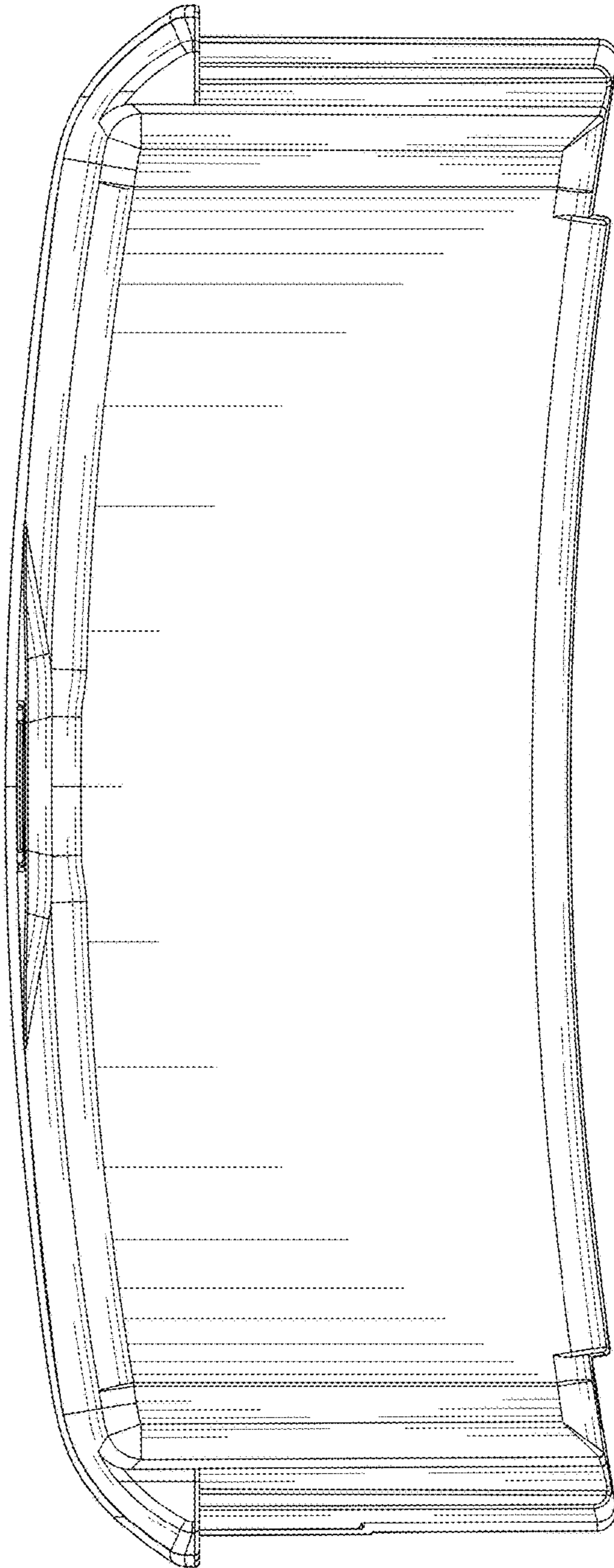


FIG. 3

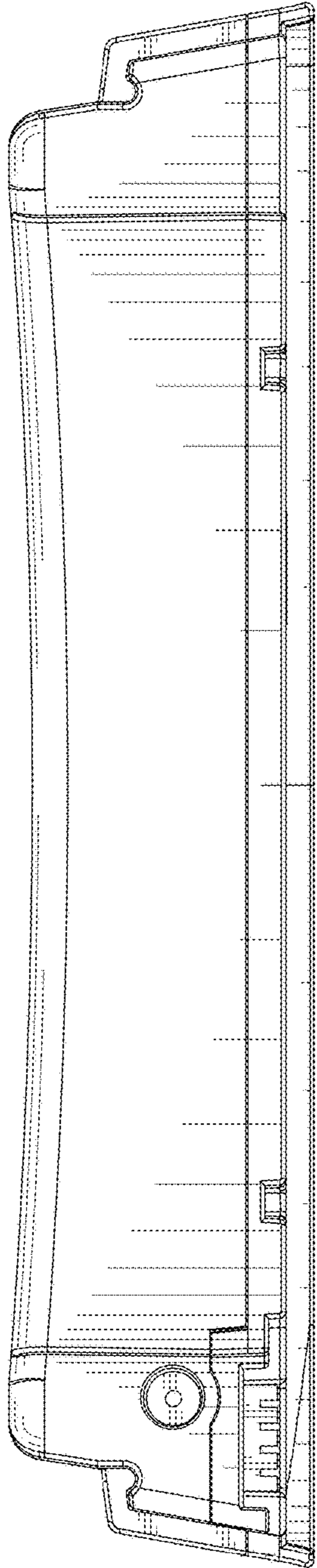


FIG. 4

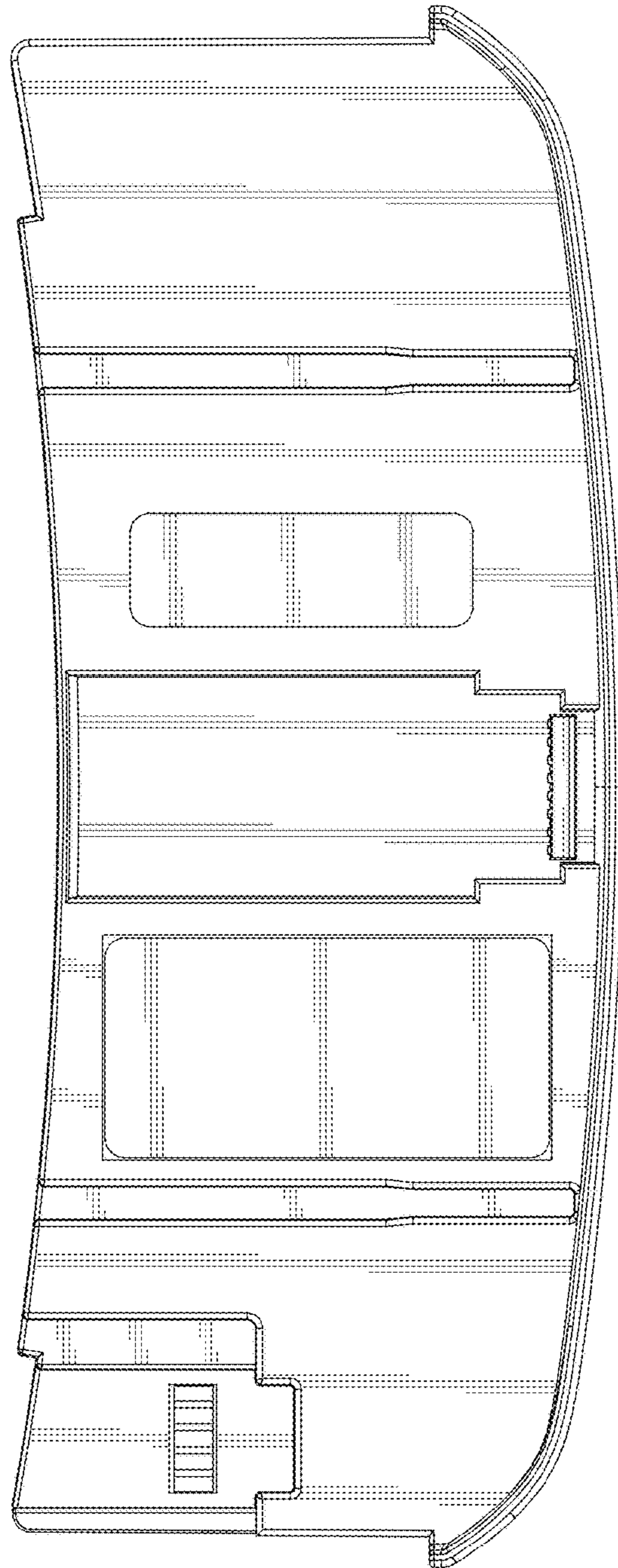


FIG. 5

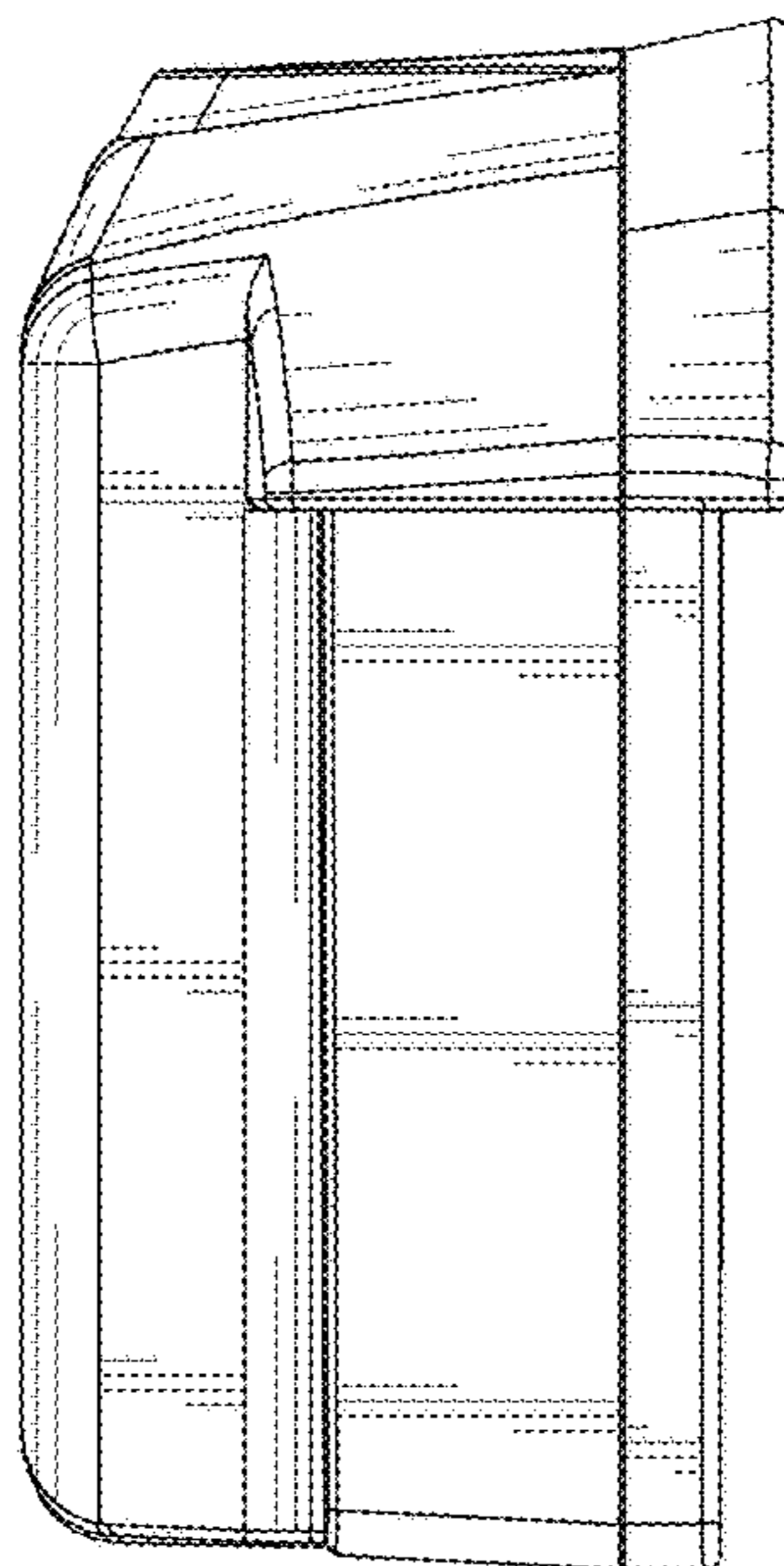


FIG. 6

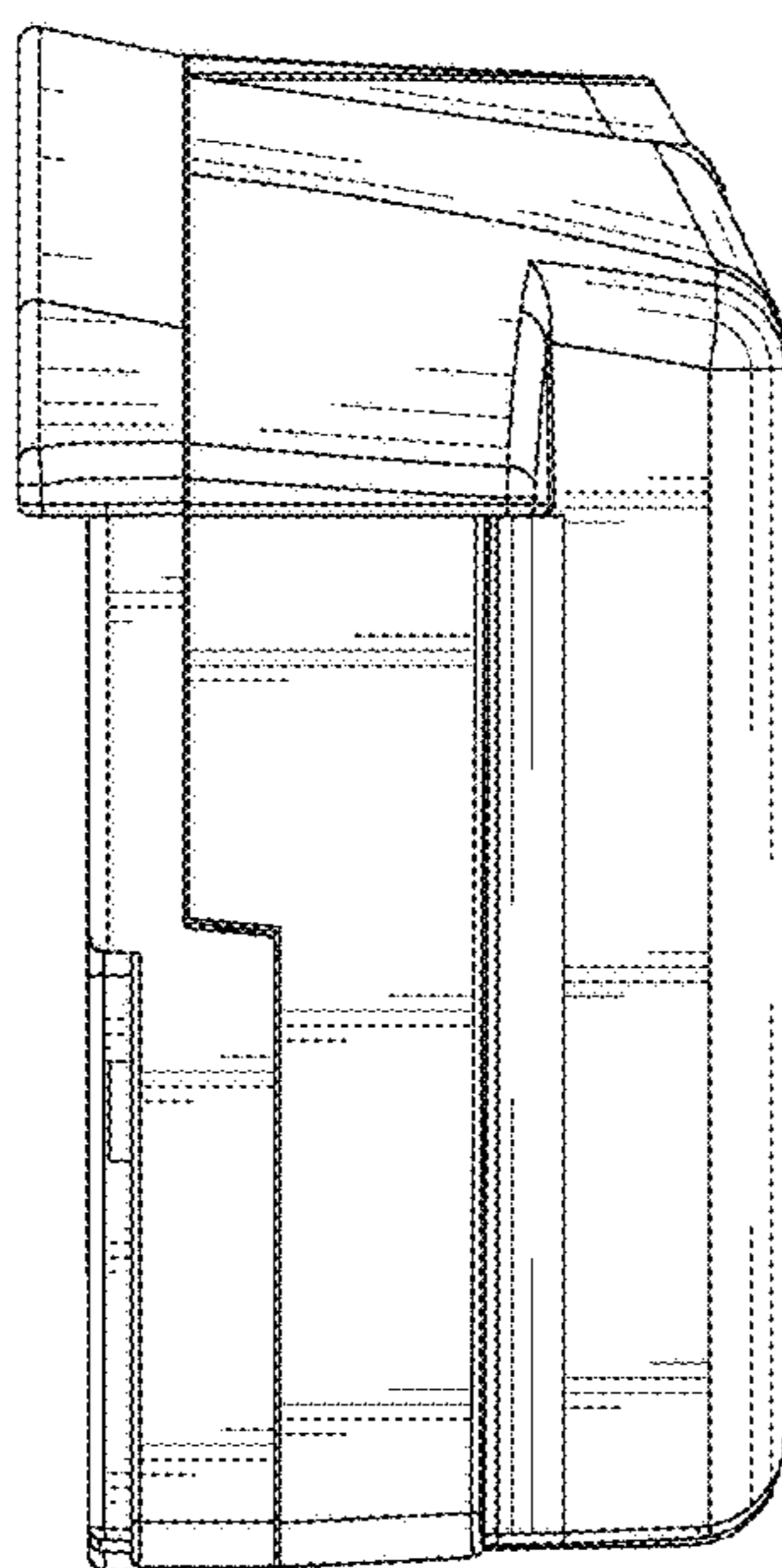


FIG. 7