



US00D810298S

(12) **United States Design Patent**  
**Yamada et al.**

(10) **Patent No.:** **US D810,298 S**  
(45) **Date of Patent:** **\*\* Feb. 13, 2018**

(54) **RADIATION IRRADIATOR FOR PARTICLE  
BEAM TREATMENT EQUIPMENT**

(71) Applicant: **Mitsubishi Electric Corporation,**  
Tokyo (JP)

(72) Inventors: **Wataru Yamada,** Tokyo (JP); **Fumie  
Otsubo,** Tokyo (JP)

(73) Assignee: **Mitsubishi Electric Corporation,**  
Tokyo (JP)

(\*\*) Term: **15 Years**

(21) Appl. No.: **29/578,398**

(22) Filed: **Sep. 21, 2016**

(30) **Foreign Application Priority Data**

Mar. 25, 2016 (JP) ..... 2016-006523

(51) **LOC (11) Cl.** ..... **24-01**

(52) **U.S. Cl.**  
USPC ..... **D24/158**

(58) **Field of Classification Search**

USPC ..... D24/107, 158-161, 185, 186, 187, 231,  
D24/140, 183, 184, 209, 210  
CPC ..... A61N 5/1049; A61N 5/1078; A61N  
2005/1061; A61N 2005/1063; A61N  
6/4429; A61N 6/4435

See application file for complete search history.

(56) **References Cited**

**U.S. PATENT DOCUMENTS**

D394,316 S \* 5/1998 Kodama ..... D24/158  
D427,685 S \* 7/2000 Danby ..... D24/158  
D554,755 S \* 11/2007 Iwasaki ..... D24/158  
7,659,528 B2 \* 2/2010 Uematsu ..... A61N 5/1049  
250/493.1

D639,433 S \* 6/2011 Dietz ..... D24/158  
D717,437 S \* 11/2014 Yamada ..... D24/158  
D719,656 S \* 12/2014 Yamada ..... D24/158  
D783,827 S \* 4/2017 Arishima ..... D24/158  
2003/0083562 A1 \* 5/2003 Bani-Hashemi ..... A61N 5/1049  
600/407  
2004/0184579 A1 \* 9/2004 Mihara ..... A61N 5/1049  
378/65  
2006/0113482 A1 \* 6/2006 Pelizzari ..... A61N 5/1049  
250/370.09  
2010/0195792 A1 \* 8/2010 Kunz ..... A61B 6/4429  
378/65  
2017/0189724 A1 \* 7/2017 Liu ..... A61N 5/1049

\* cited by examiner

*Primary Examiner* — Anhdao Doan

(74) *Attorney, Agent, or Firm* — Stuebaker & Brackett  
PC

(57) **CLAIM**

The ornamental design for a radiation irradiator for particle beam treatment equipment, as shown and described.

**DESCRIPTION**

FIG. 1 is a front, bottom and left side perspective view of a radiation irradiator for particle beam treatment equipment, showing our new design;

FIG. 2 is a front view thereof;

FIG. 3 is a rear view thereof;

FIG. 4 is a top view thereof;

FIG. 5 is a bottom view thereof;

FIG. 6 is a left side view thereof; and,

FIG. 7 is a right side view thereof.

The broken lines immediately adjacent to the shaded areas represent the bounds of the claim, while all other broken lines are directed to environment and are for illustrative purposes only; the broken lines form no part of the claimed design.

**1 Claim, 7 Drawing Sheets**

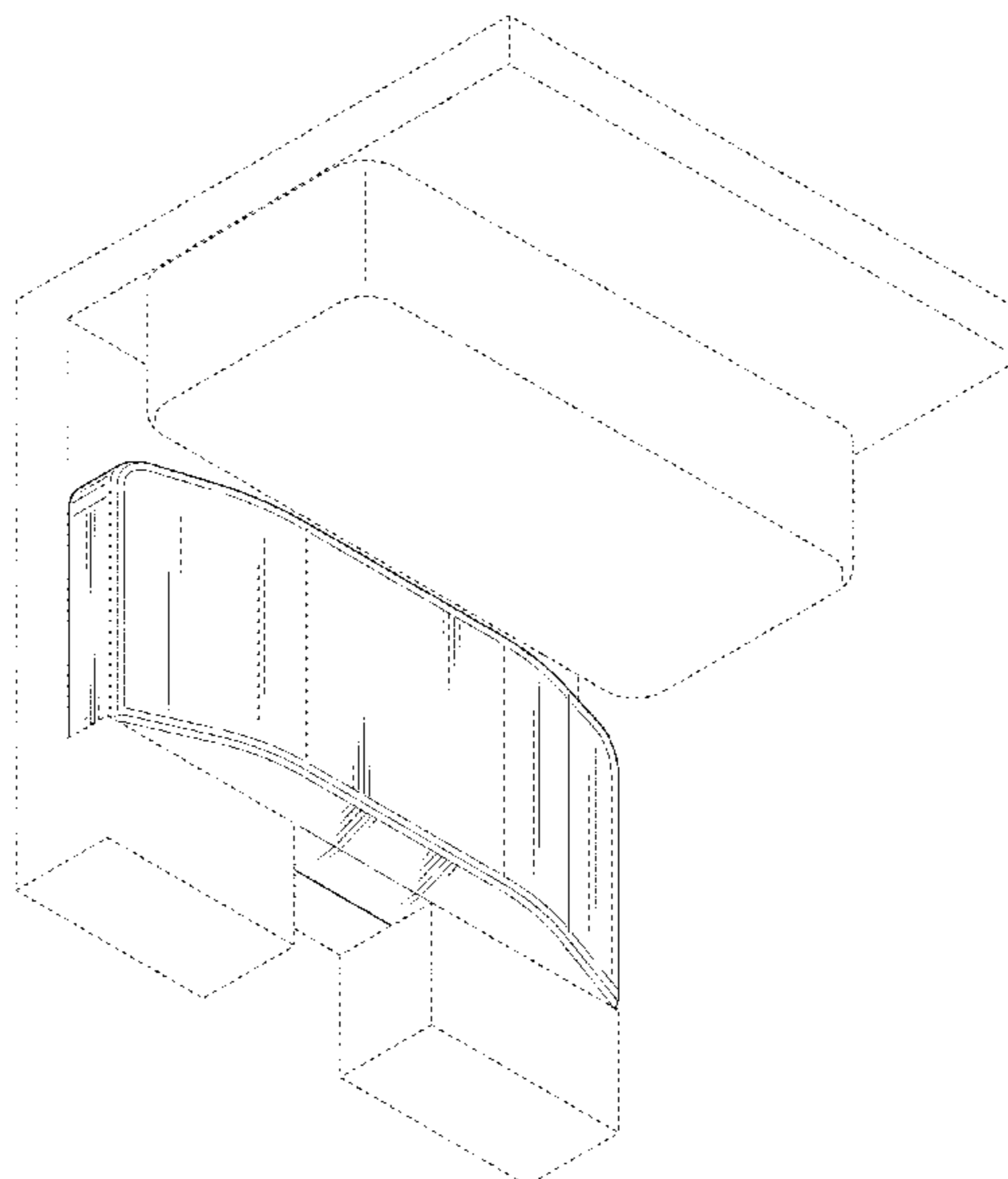


Fig. 1

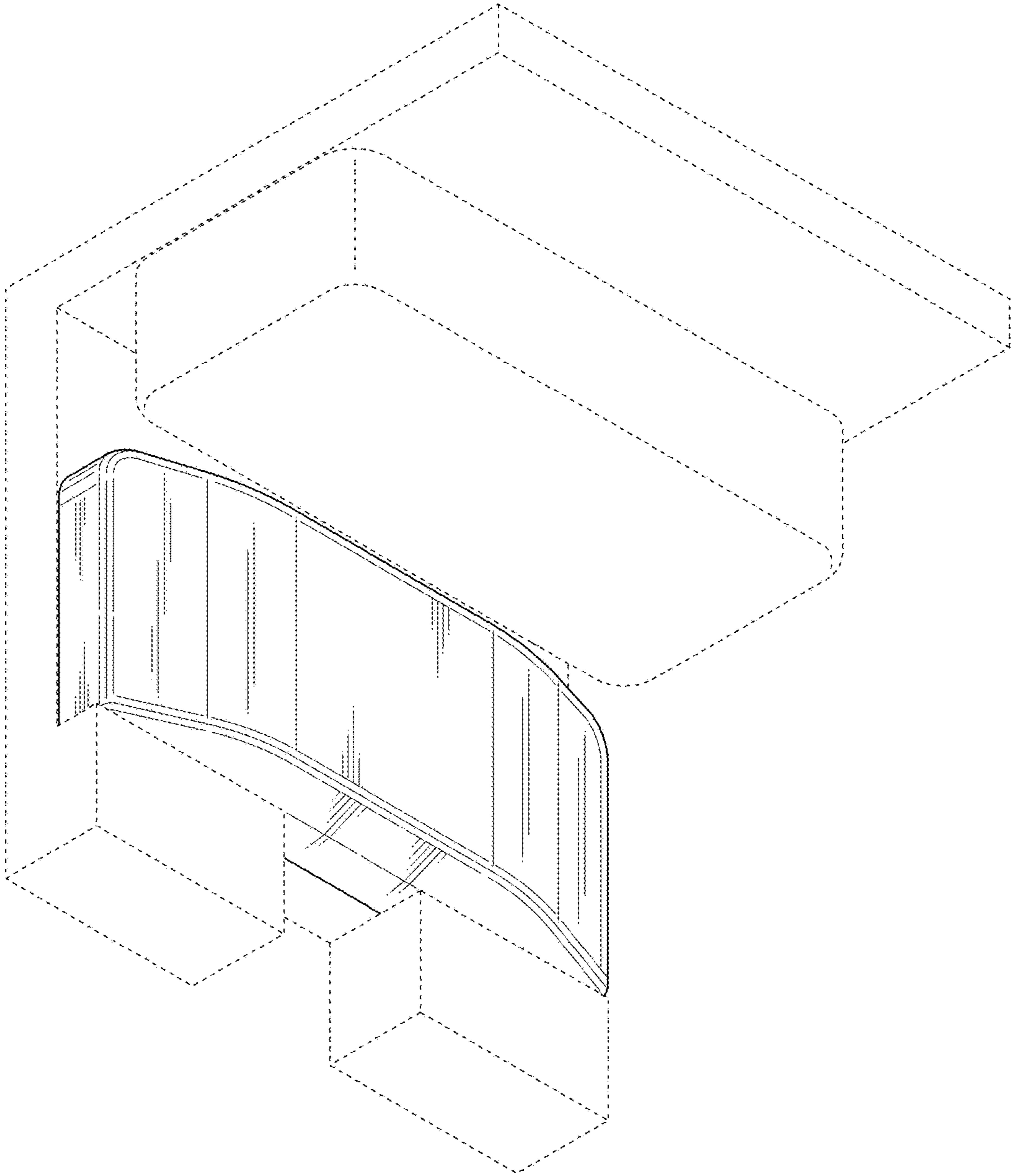


Fig. 2

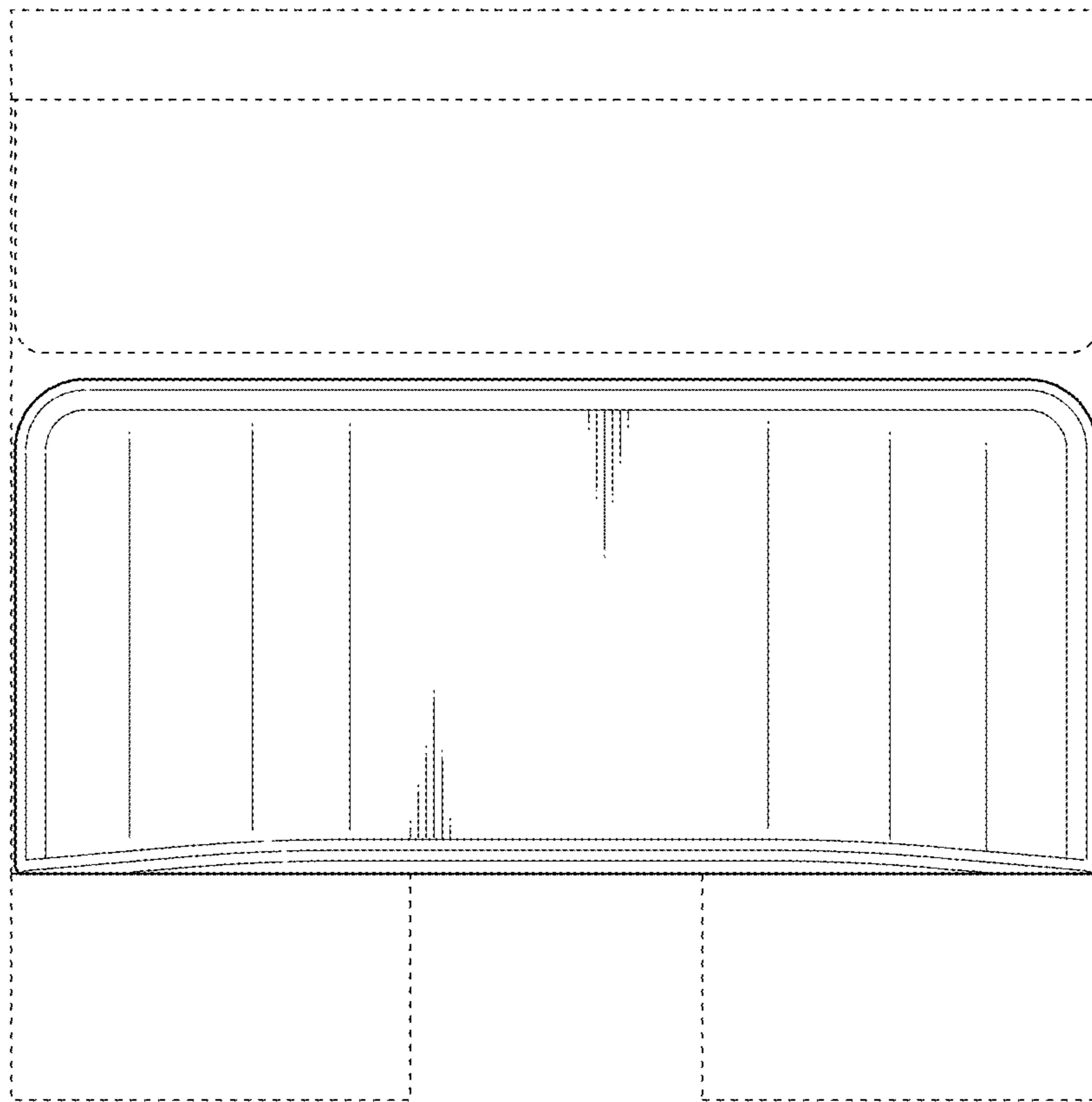


Fig. 3

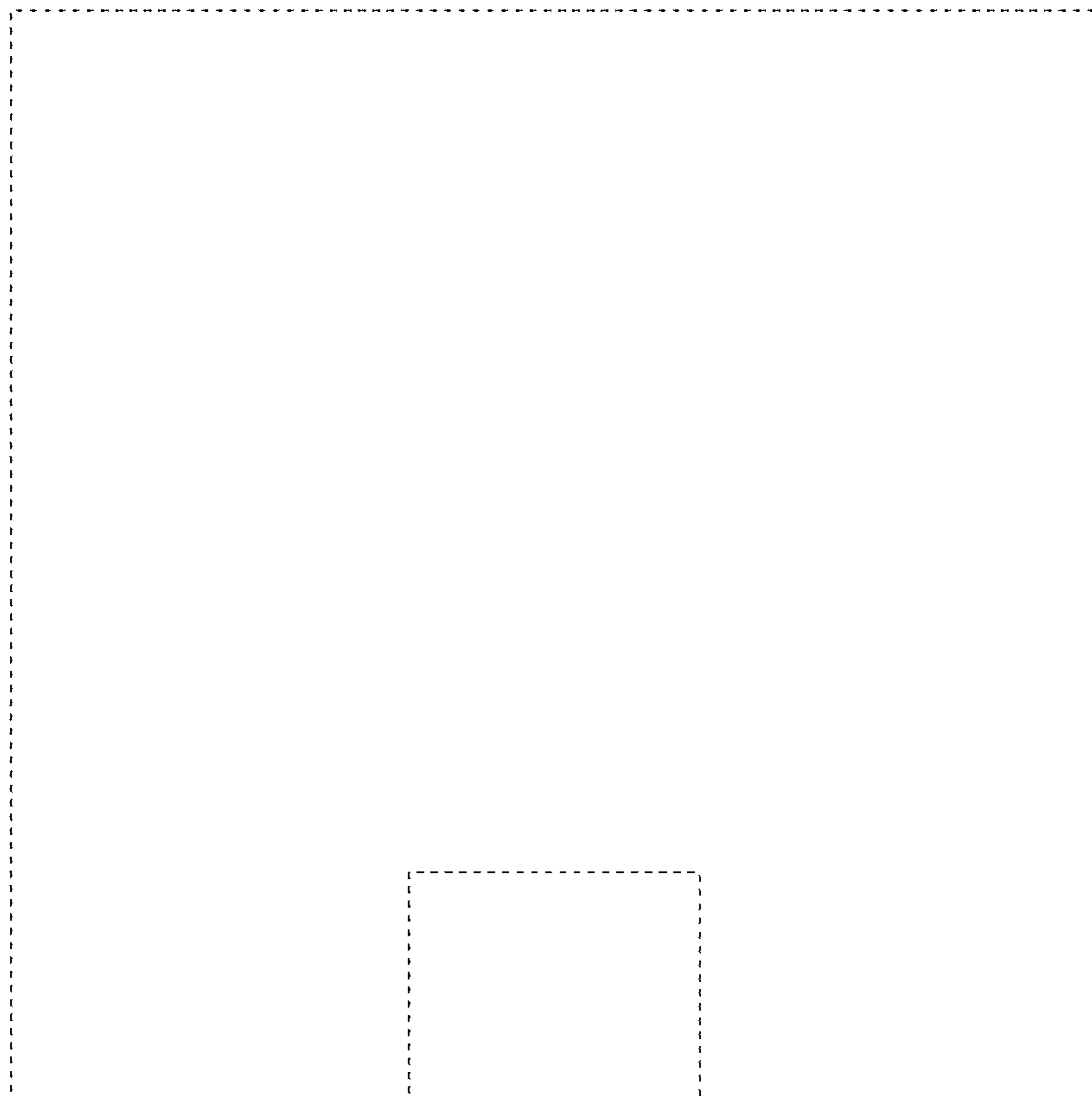


Fig. 4



Fig. 5

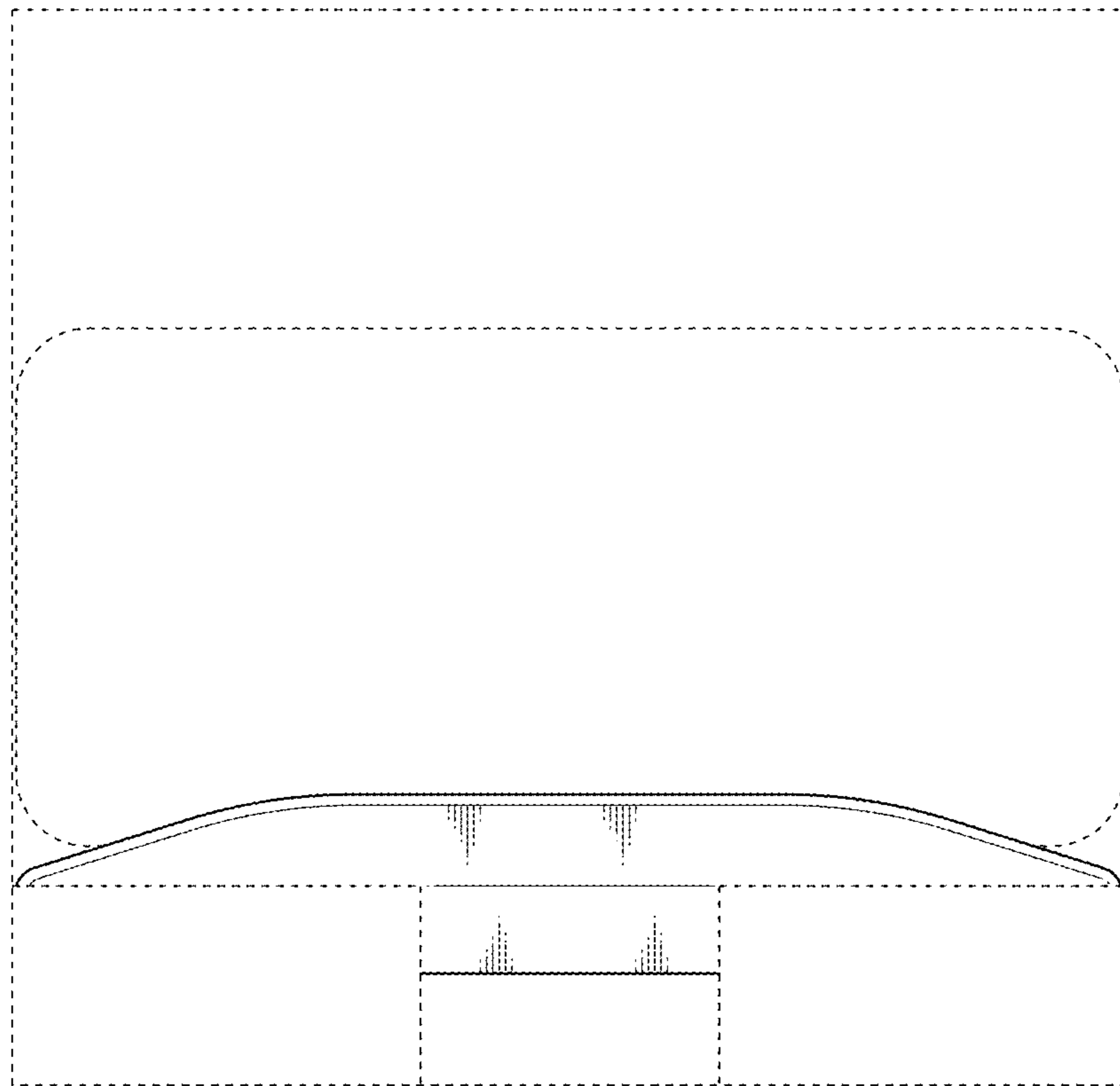


Fig. 6

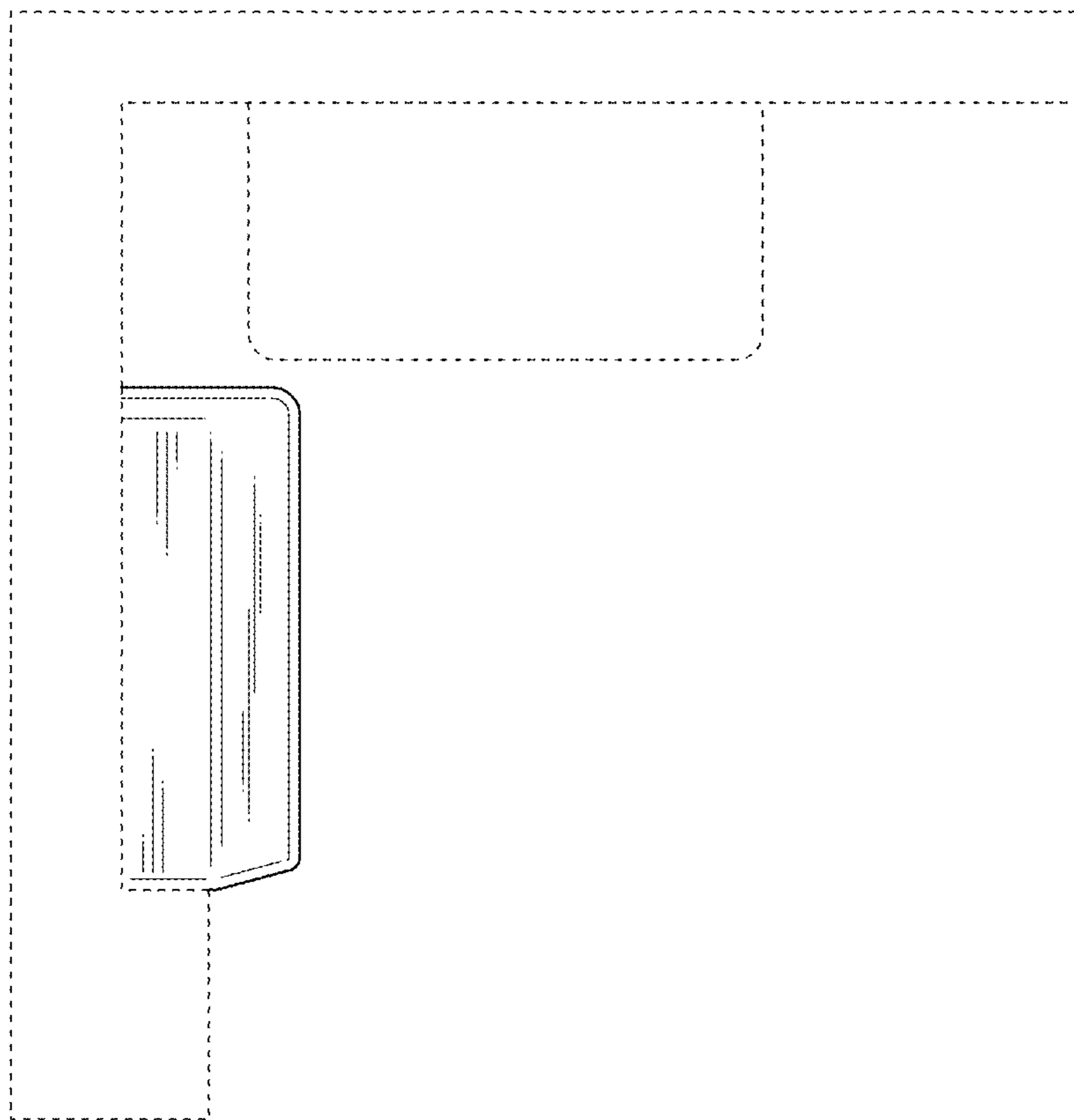


Fig. 7

