



US00D810296S

(12) **United States Design Patent** (10) **Patent No.:** **US D810,296 S**
Achleitner et al. (45) **Date of Patent:** **** Feb. 13, 2018**

(54) **MEDICAL APPARATUS FOR IMAGING
HAVING AN ORNAMENTATION**

(71) Applicant: **Siemens Healthcare GmbH**, Erlangen
(DE)

(72) Inventors: **Roman Achleitner**, Nuremberg (DE);
Peter Distler, Moehrendorf (DE)

(73) Assignee: **Siemens Healthcare GmbH**, Erlangen
(DE)

(**) Term: **15 Years**

(21) Appl. No.: **29/560,625**

(22) Filed: **Apr. 8, 2016**

(30) **Foreign Application Priority Data**

Oct. 9, 2015 (EM) 002816975

(51) **LOC (11) Cl.** **24-01**

(52) **U.S. Cl.**
USPC **D24/158**

(58) **Field of Classification Search**
USPC D24/158-161, 185, 186, 107; D5/11, 12,
D5/23, 48, 54, 58, 59
CPC .. A61B 5/05; A61B 5/055; A61B 6/03; A61B
6/035
See application file for complete search history.

(56) **References Cited**

U.S. PATENT DOCUMENTS

D215,033 S * 8/1969 Ottens D5/47
D462,180 S * 9/2002 Kao D5/58
D555,910 S * 11/2007 Simoni D5/58
D651,809 S * 1/2012 Steeman D5/58

D678,527 S * 3/2013 Boninger D24/158
D703,321 S * 4/2014 Wodecki D24/158
D738,505 S * 9/2015 Eberler D24/158
D751,302 S * 3/2016 Shirai D5/53
D768,395 S * 10/2016 Nelson D5/59
2009/0080186 A1* 3/2009 Helmreich A61B 5/055
362/231
2012/0230465 A1* 9/2012 Matsuzawa A61B 6/035
378/13
2013/0162254 A1* 6/2013 Hierl G01R 33/28
324/319

* cited by examiner

Primary Examiner — Anhdao Doan

(74) *Attorney, Agent, or Firm* — Schiff Hardin LLP

(57) **CLAIM**

The ornamental design for a medical apparatus for imaging having an ornamentation, as shown and described.

DESCRIPTION

FIG. 1 is a front elevational view of a medical apparatus for imaging having an ornamentation showing our new design; FIG. 2 is a back elevational view thereof; FIG. 3 is a top plan view thereof; FIG. 4 is a bottom plan view thereof; FIG. 5 is a side elevational view of the right side thereof; FIG. 6 is a side elevational view of the left side thereof; and, FIG. 7 is a perspective view taken generally from the upper, front, right-hand side thereof.

The broken lines immediately adjacent the shaded areas represent the bounds of the claim, while all other broken lines are directed to environment and are for illustrative purposes only; the broken lines form no part of the claimed design.

1 Claim, 7 Drawing Sheets

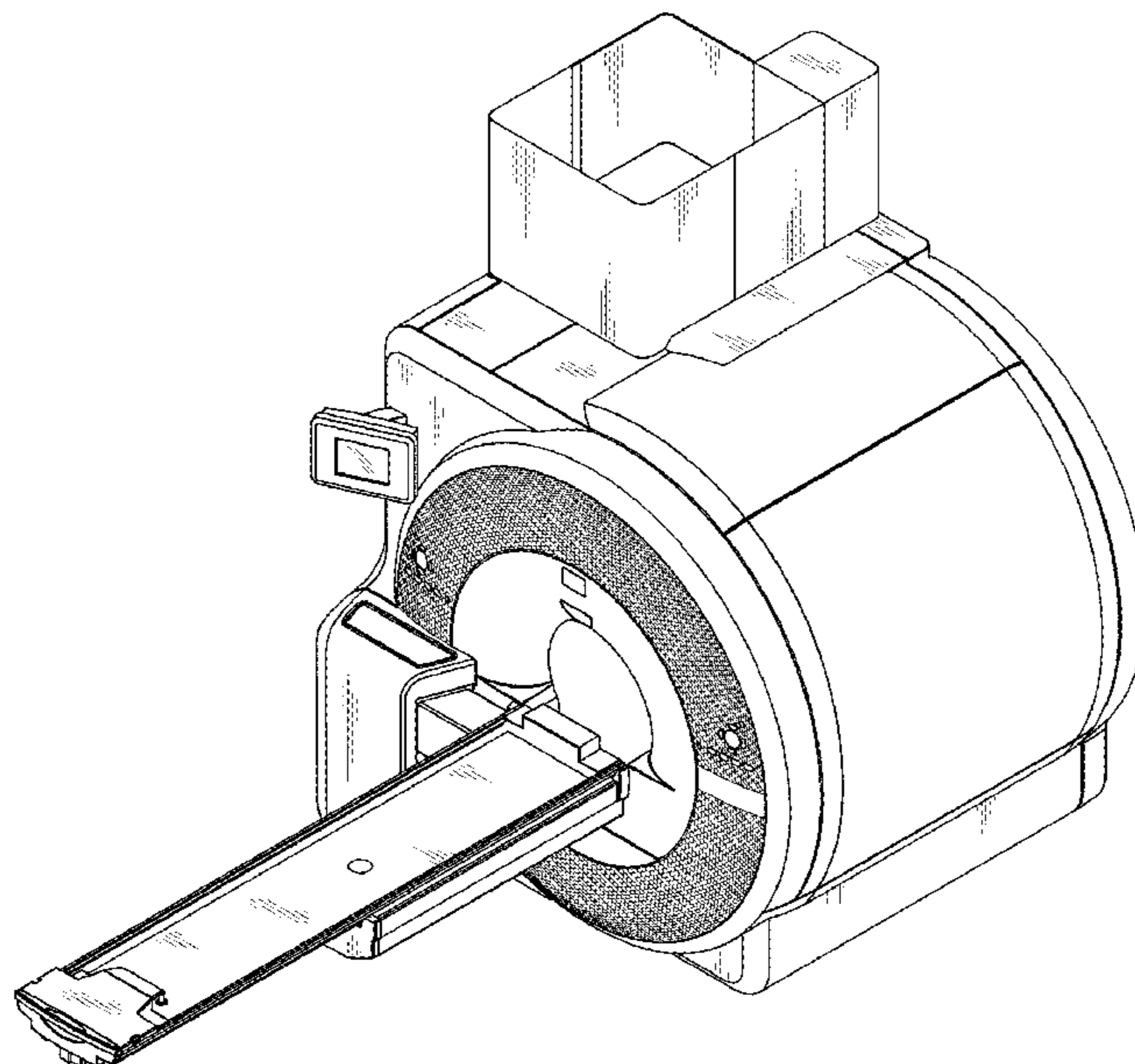


FIG 1

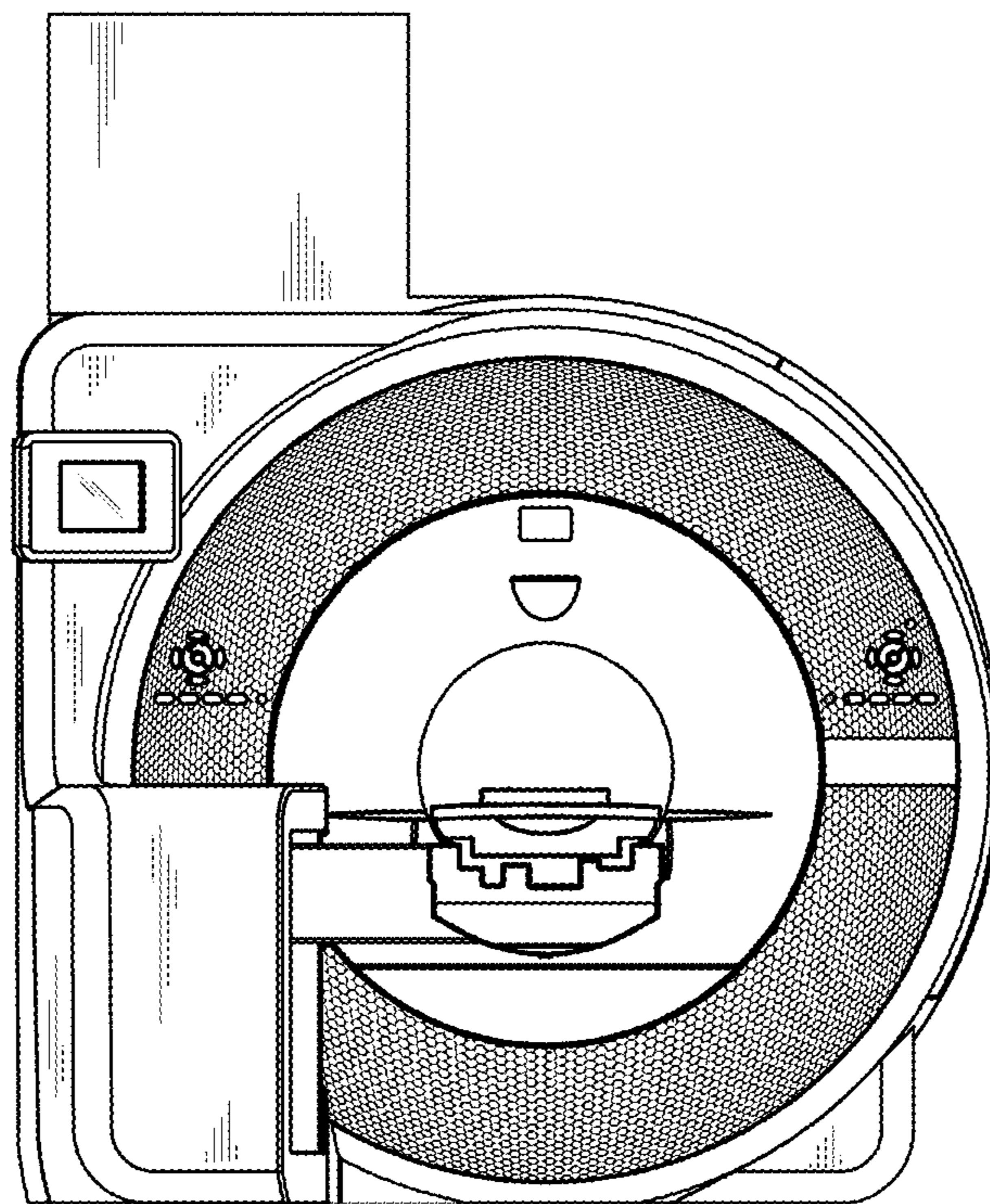


FIG 2

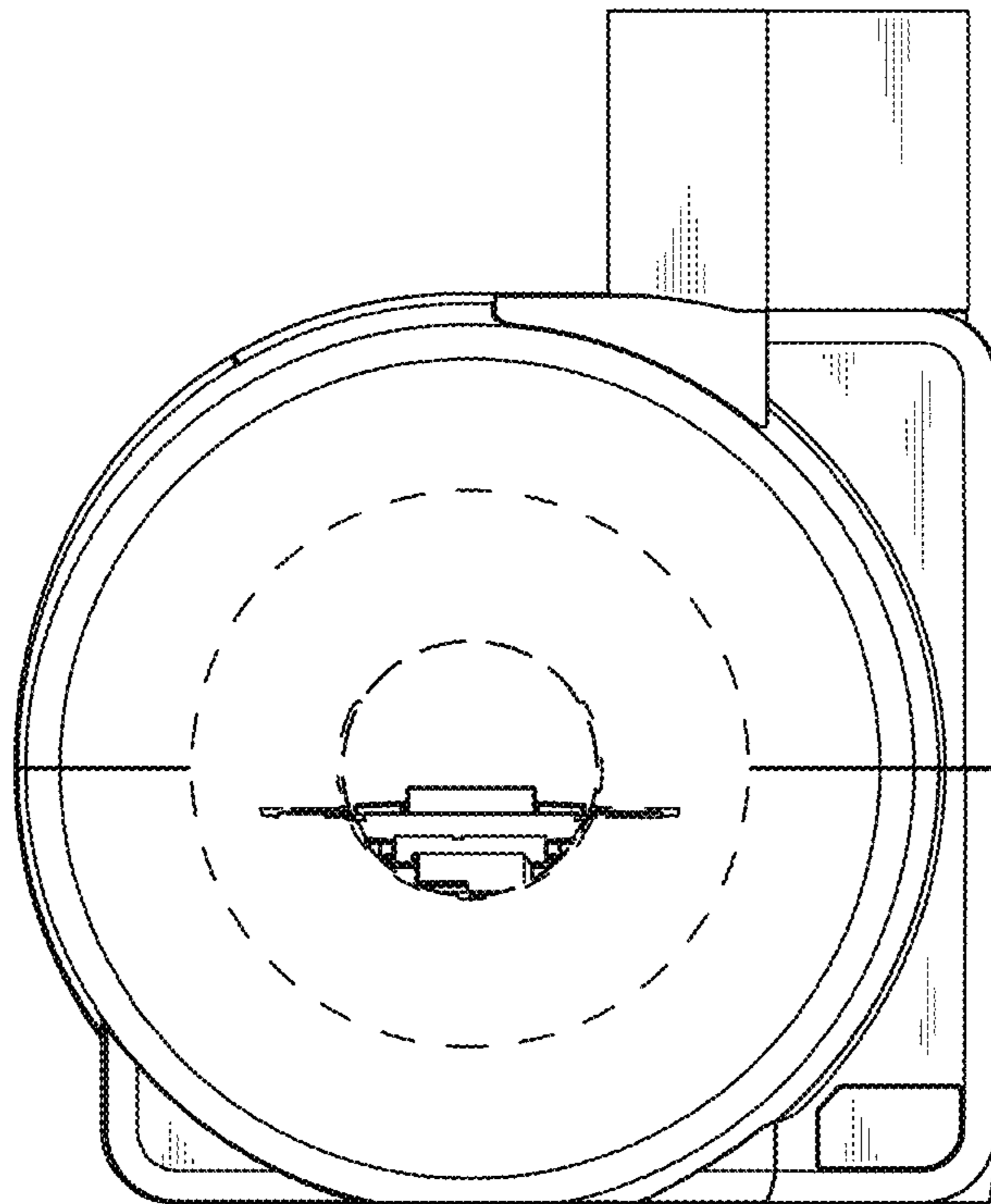


FIG 3

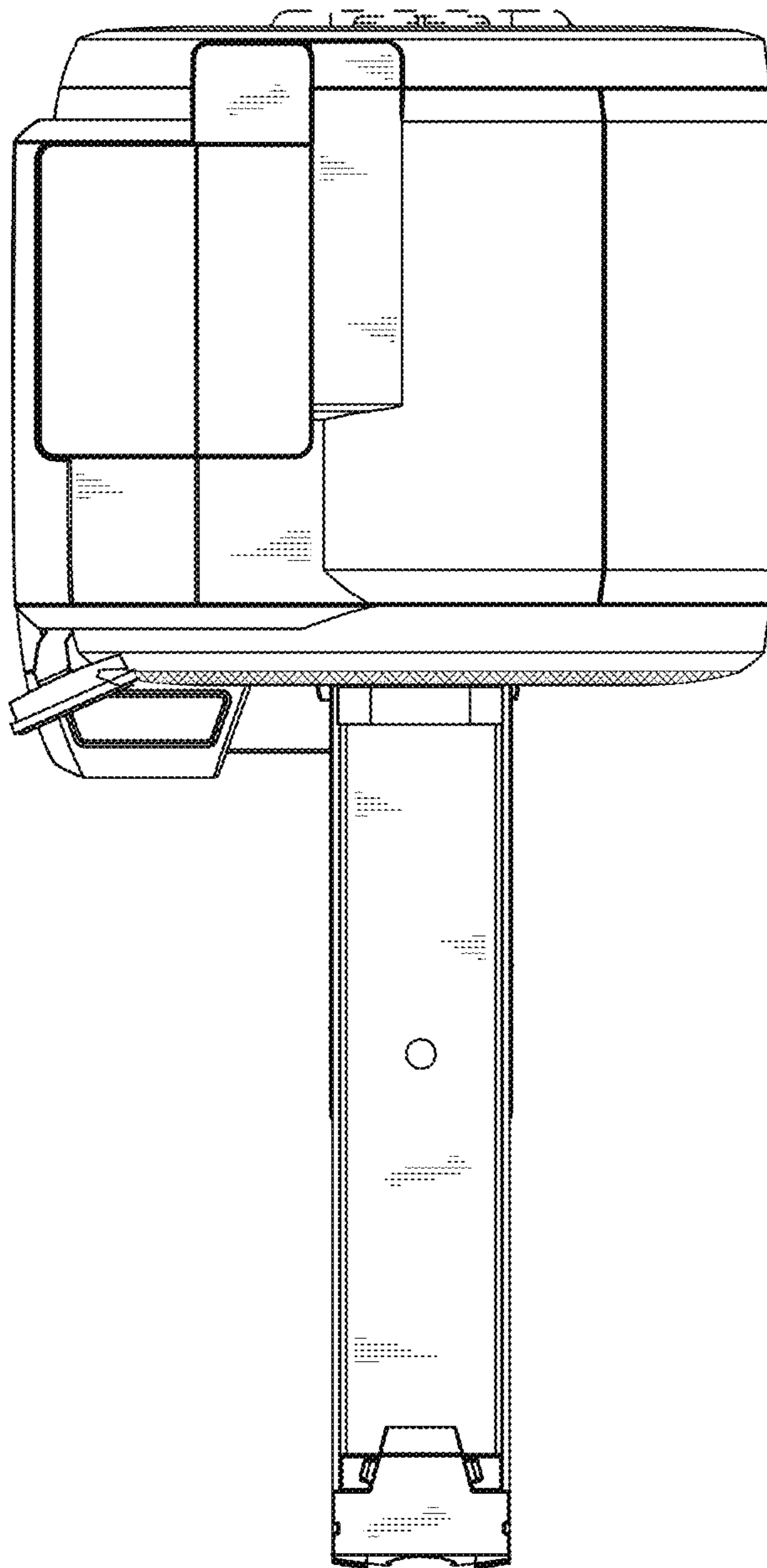


FIG 4

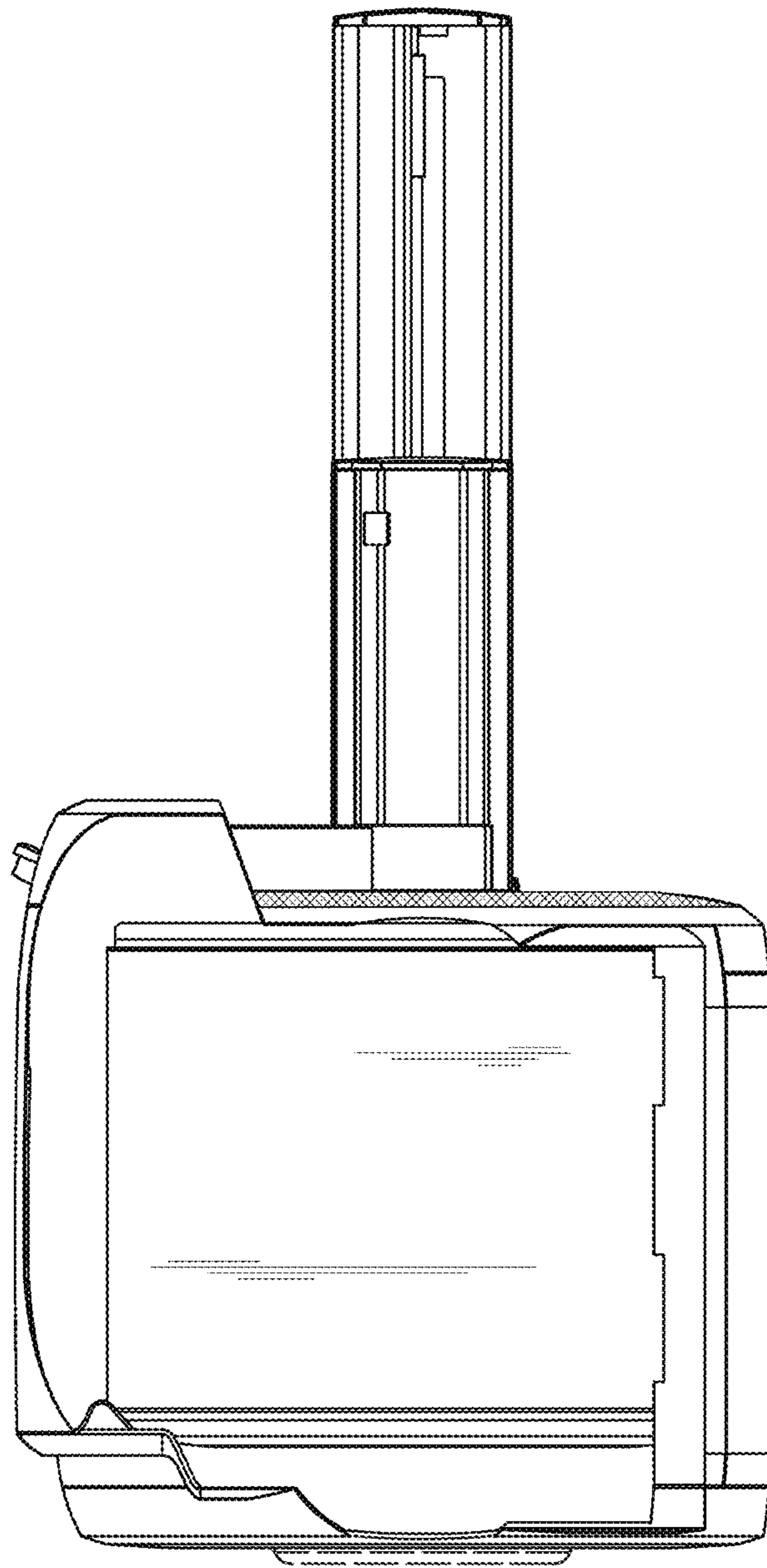


FIG 5

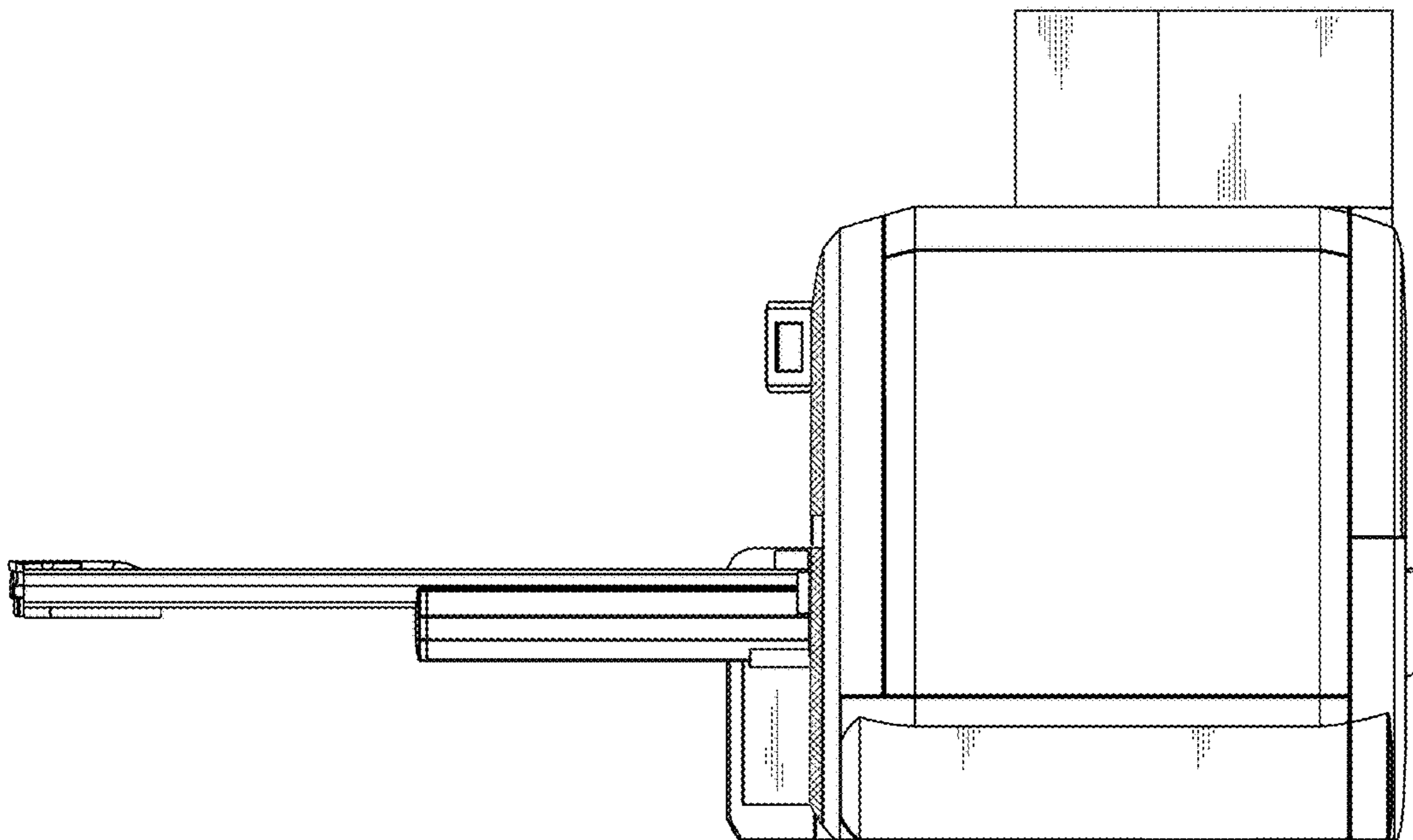


FIG 6

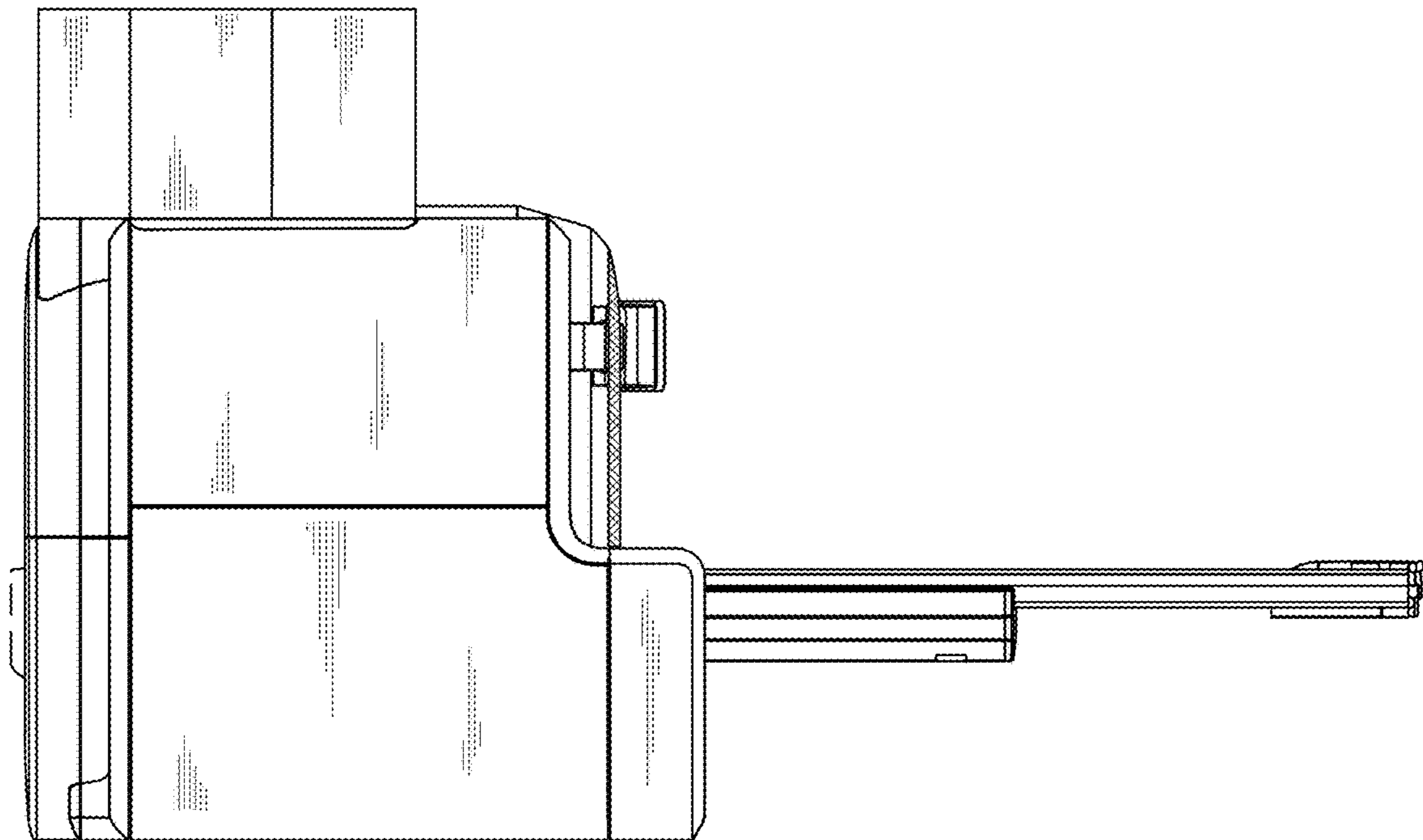


FIG 7

