



US00D810290S

(12) **United States Design Patent** (10) **Patent No.:** **US D810,290 S**
Carter et al. (45) **Date of Patent:** **** Feb. 13, 2018**

(54) **SURGICAL PORTAL DRIVER**

(71) Applicant: **Medovex Corp.**, Cumming, GA (US)
(72) Inventors: **Robert D. Carter**, Apple Valley, MN (US); **Jacob Blank**, Minneapolis, MN (US); **Scott M.W. Haufe**, Niceville, FL (US)
(73) Assignee: **Medovex Corp.**, Cumming, GA (US)
(**) Term: **15 Years**
(21) Appl. No.: **29/553,207**
(22) Filed: **Jan. 29, 2016**
(51) **LOC (11) Cl.** **24-02**
(52) **U.S. Cl.**
USPC **D24/144**
(58) **Field of Classification Search**
USPC D24/144, 170, 146, 133, 127-129
(Continued)

(56) **References Cited**

U.S. PATENT DOCUMENTS

2,001,638 A 5/1935 Tornsgo
2,012,362 A 8/1935 Vogel
(Continued)

FOREIGN PATENT DOCUMENTS

CN 2064221 10/1990
CN 102641152 8/2012
CN 202637105 1/2013

OTHER PUBLICATIONS

International Search Report and Written Opinion for PCT Application No. PCT/US2015/040867, dated Jan. 4, 2015, 24 pages.

Primary Examiner — Wan Laymon

(74) *Attorney, Agent, or Firm* — Myers Bigel, P.A.

(57) **CLAIM**

The ornamental design for a surgical portal driver, as shown and described.

DESCRIPTION

FIG. 1 is a front perspective view of a first embodiment of a surgical portal driver showing our design;
FIG. 2 is a rear perspective view thereof;
FIG. 3 is a front view thereof;
FIG. 4 is a first side view thereof;
FIG. 5 is a rear view thereof;
FIG. 6 is a side view thereof, opposite that shown in FIG. 4;
FIG. 7 is another side view thereof, 90 degrees offset from that shown in FIG. 6;
FIG. 8 is another side view thereof, opposite that shown in FIG. 7;
FIG. 9 is an exemplary environmental view illustrating the surgical portal driver engaged with a working portal (also known as a guide cannula) according to embodiments of the present invention;
FIG. 10 is a front perspective view of a second embodiment of a surgical portal driver showing our design;
FIG. 11 is a rear perspective view thereof;
FIG. 12 is a front view thereof;
FIG. 13 is a first side view thereof;
FIG. 14 is a rear view thereof;
FIG. 15 is a side view thereof, opposite that shown in FIG. 13;
FIG. 16 is another side view thereof, 90 degrees offset from that shown in FIG. 15;
FIG. 17 is another side view thereof, opposite that shown in FIG. 16;
FIG. 18 is an exemplary environmental view illustrating the surgical portal driver engaged with a working portal (also known as a guide cannula) according to embodiments of the present invention;
FIG. 19 is a front perspective view of a third embodiment of a surgical portal driver showing our design;
FIG. 20 is a rear perspective view thereof;
FIG. 21 is a front view thereof;
FIG. 22 is a first side view thereof;
FIG. 23 is a rear view thereof;

(Continued)

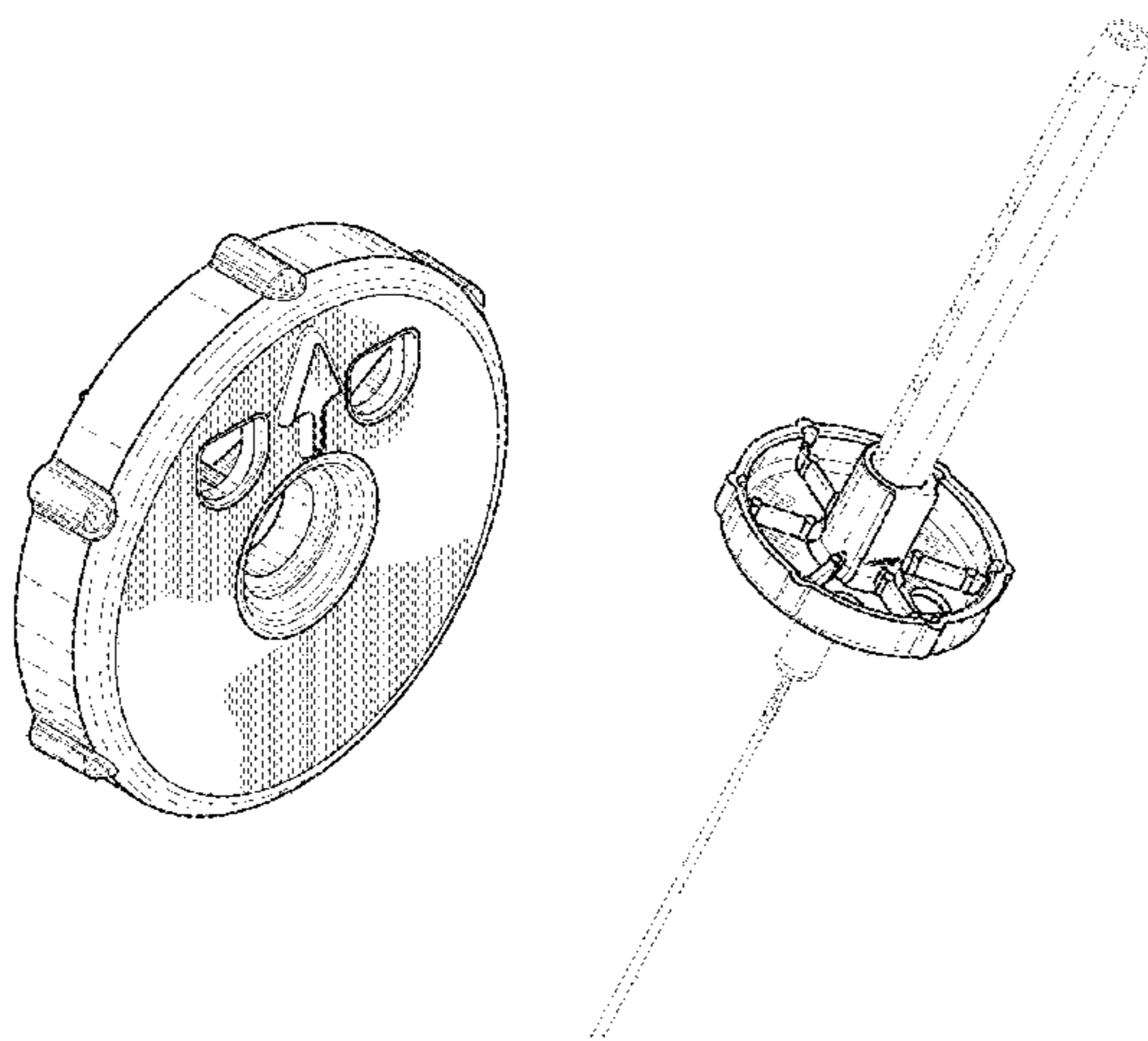


FIG. 24 is a side view thereof, opposite that shown in FIG. 22;

FIG. 25 is another side view thereof, 90 degrees offset from that shown in FIG. 24;

FIG. 26 is another side view thereof, opposite that shown in FIG. 25; and,

FIG. 27 is an exemplary environmental view illustrating the surgical portal driver engaged with a working portal (also known as a guide cannula) according to embodiments of the present invention.

In the drawings, the broken lines depict environmental subject matter only and form no part of the claimed design.

1 Claim, 15 Drawing Sheets

(58) Field of Classification Search

CPC A61B 18/1482; A61B 18/148; A61B 18/1487; A61B 17/3462; A61B 17/3421; A61B 17/3423; A61B 17/1684

See application file for complete search history.

(56) References Cited

U.S. PATENT DOCUMENTS

4,002,169	A	1/1977	Cupler, II
4,314,568	A	2/1982	Loving
4,658,819	A	4/1987	Harris et al.
4,969,885	A	11/1990	Farin
4,983,179	A	1/1991	Sjostrom
4,991,578	A	2/1991	Cohen
5,364,395	A	11/1994	West, Jr.
5,545,195	A	8/1996	Lennox et al.
5,569,290	A	10/1996	McAfee
5,573,533	A	11/1996	Strul
5,584,843	A	12/1996	Wulfman et al.
5,618,296	A	4/1997	Sorensen et al.
5,633,578	A	5/1997	Eggers et al.
5,693,045	A	12/1997	Eggers
5,807,395	A	9/1998	Muller et al.
5,849,023	A	12/1998	Mericle

5,855,576	A	1/1999	Leveen et al.
5,865,810	A	2/1999	Perry et al.
5,904,681	A	5/1999	West, Jr.
5,957,863	A	9/1999	Koblish et al.
6,142,992	A	11/2000	Cheng et al.
6,214,001	B1	4/2001	Casscells et al.
6,406,424	B1	6/2002	Williamson, IV et al.
6,416,490	B1	7/2002	Ellis et al.
6,454,764	B1	9/2002	Fleenor et al.
6,663,628	B2	12/2003	Peters
6,770,070	B1	8/2004	Balbierz
6,827,725	B2	12/2004	Batchelor et al.
7,052,494	B2	5/2006	Goble et al.
7,326,177	B2	2/2008	Williamson, IV et al.
7,361,174	B2	4/2008	Bee et al.
7,942,874	B2	5/2011	Eder et al.
8,007,473	B2 *	8/2011	Smith A61B 17/3462 604/167.04
8,012,129	B2 *	9/2011	Bettuchi A61B 17/3498 604/164.01
8,012,153	B2	9/2011	Woloszko et al.
8,137,266	B2 *	3/2012	Judson A61B 17/3462 600/184
8,167,879	B2	5/2012	Haufe
8,500,727	B2	8/2013	Aramayo
2002/0165549	A1	11/2002	Owusu-Akyaw et al.
2003/0153926	A1	8/2003	Schmieding et al.
2003/0195392	A1	10/2003	Hamel et al.
2004/0078037	A1	4/2004	Batchelor et al.
2005/0245923	A1	11/2005	Christopherson et al.
2006/0058780	A1	3/2006	Edwards et al.
2006/0095059	A1	5/2006	Bleich et al.
2006/0178670	A1	8/2006	Woloszko et al.
2007/0049920	A1	3/2007	McClurken et al.
2007/0129719	A1	6/2007	Kendale et al.
2007/0293724	A1	12/2007	Saadat et al.
2008/0015565	A1	1/2008	Davison
2008/0161670	A1	7/2008	King et al.
2008/0188848	A1	8/2008	Deutmeyer et al.
2010/0145142	A1	6/2010	Begemann et al.
2011/0087217	A1	4/2011	Yates et al.
2014/0100567	A1	4/2014	Edwards
2014/0324044	A1	10/2014	Haufe et al.
2016/0030106	A1	2/2016	Carter et al.
2016/0213415	A1 *	7/2016	Carter A61B 18/148

* cited by examiner

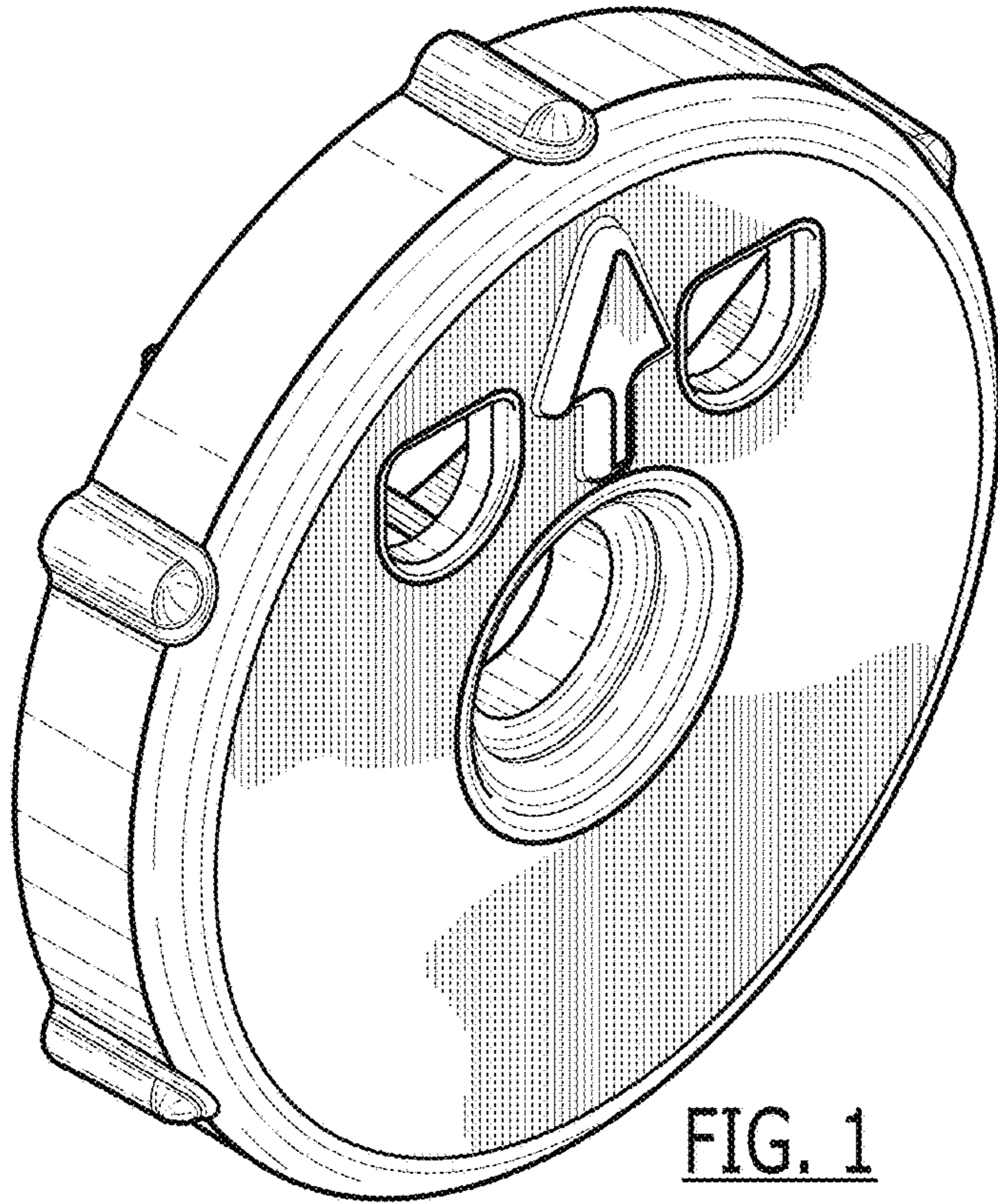


FIG. 1

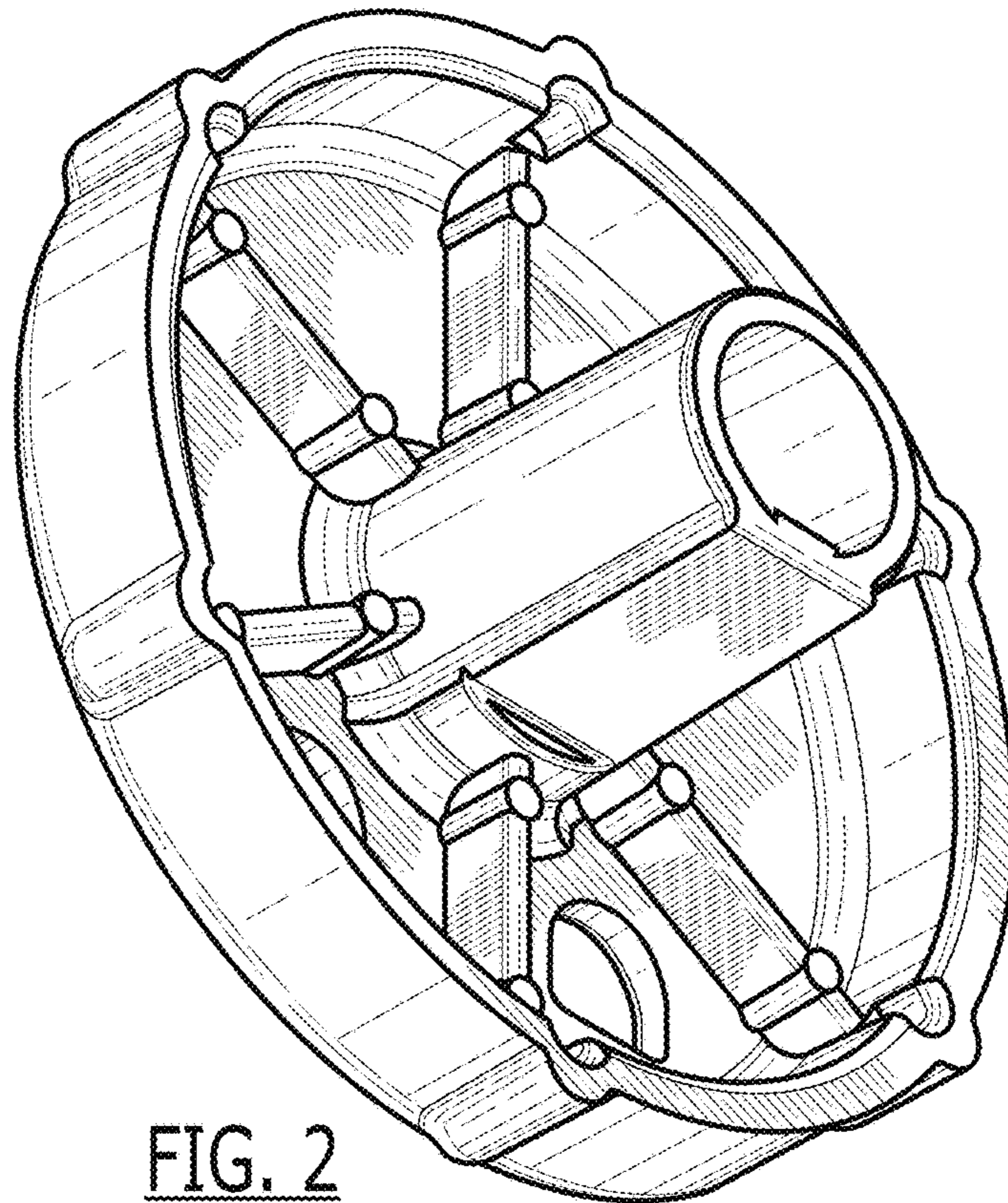


FIG. 2

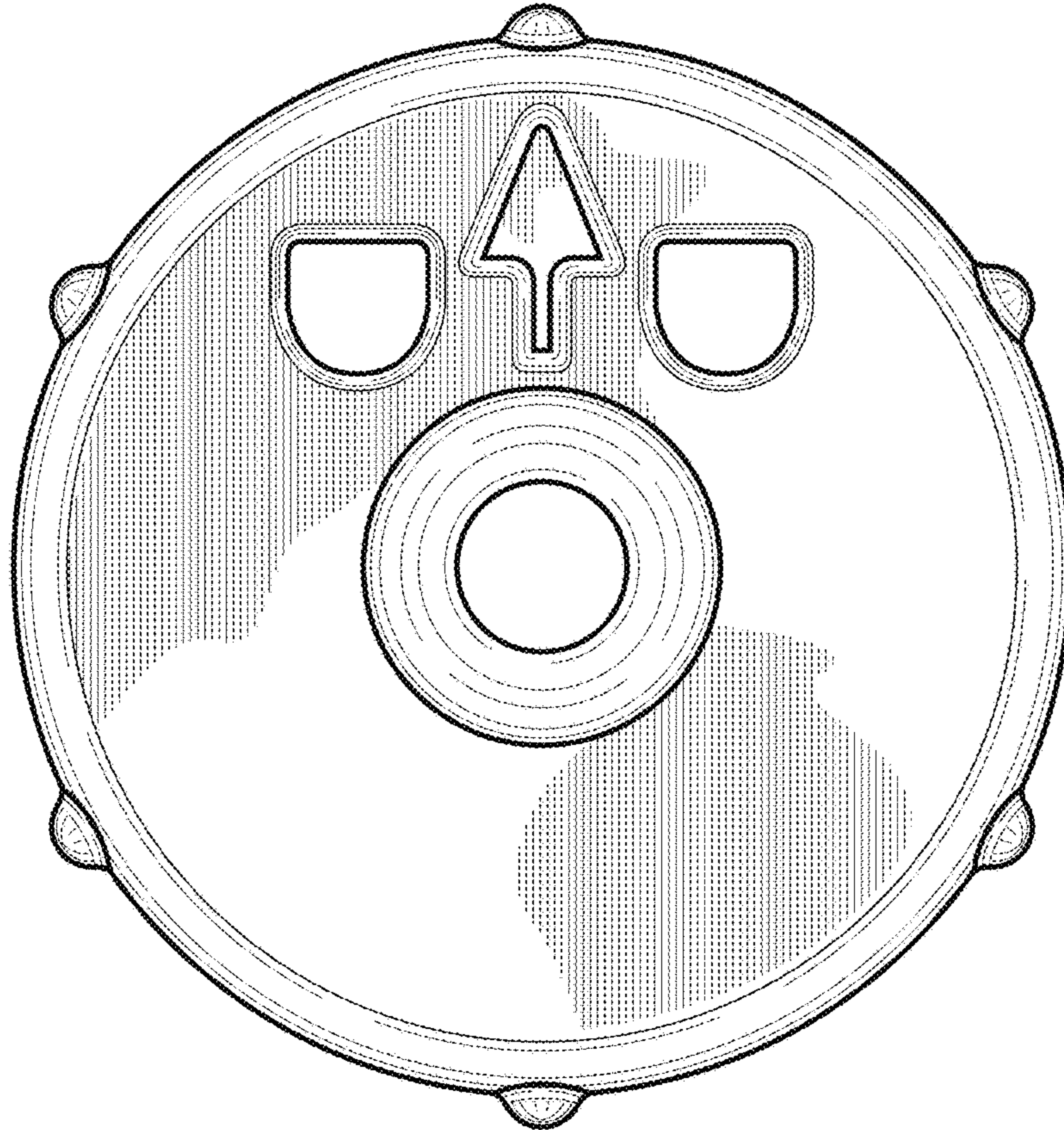


FIG. 3

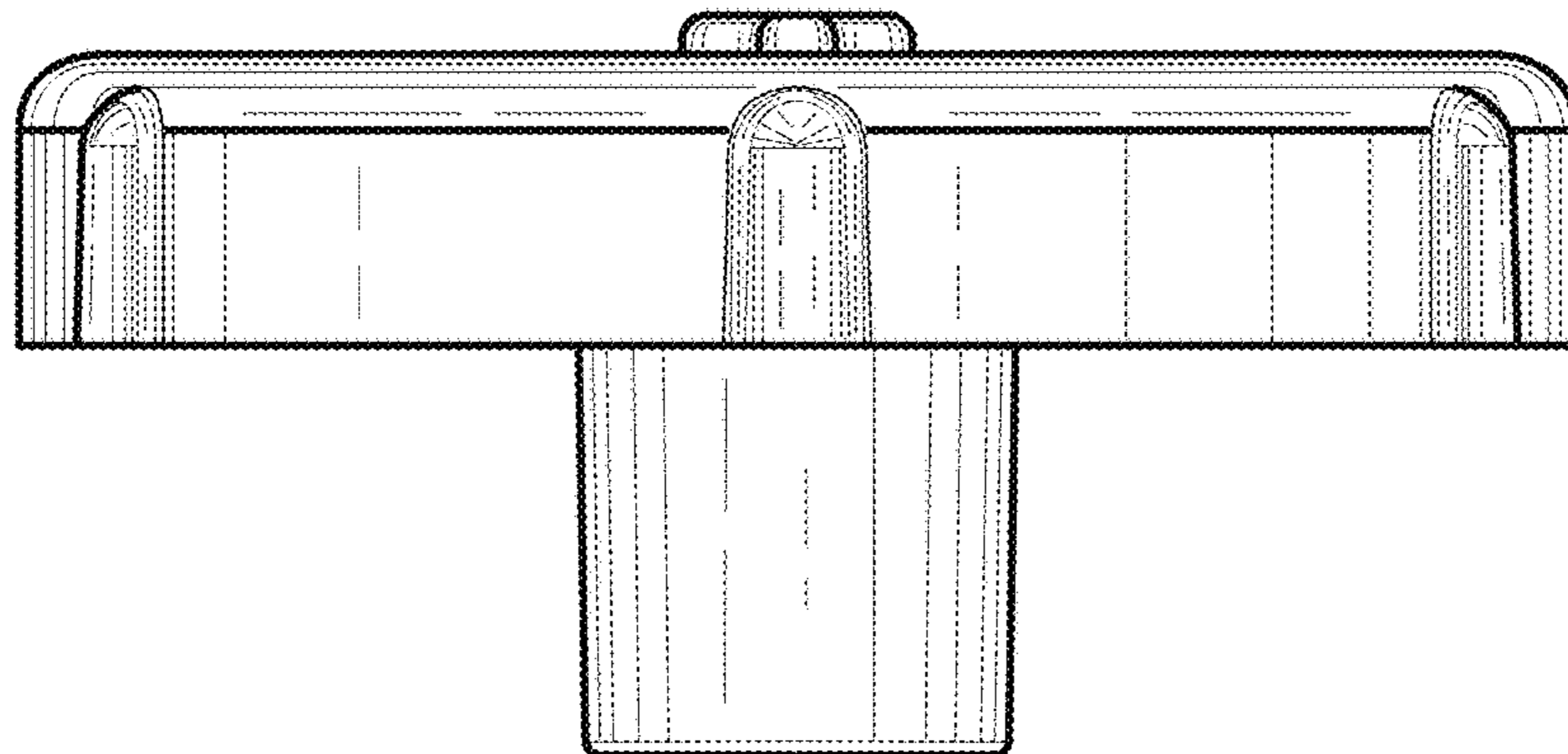


FIG. 4

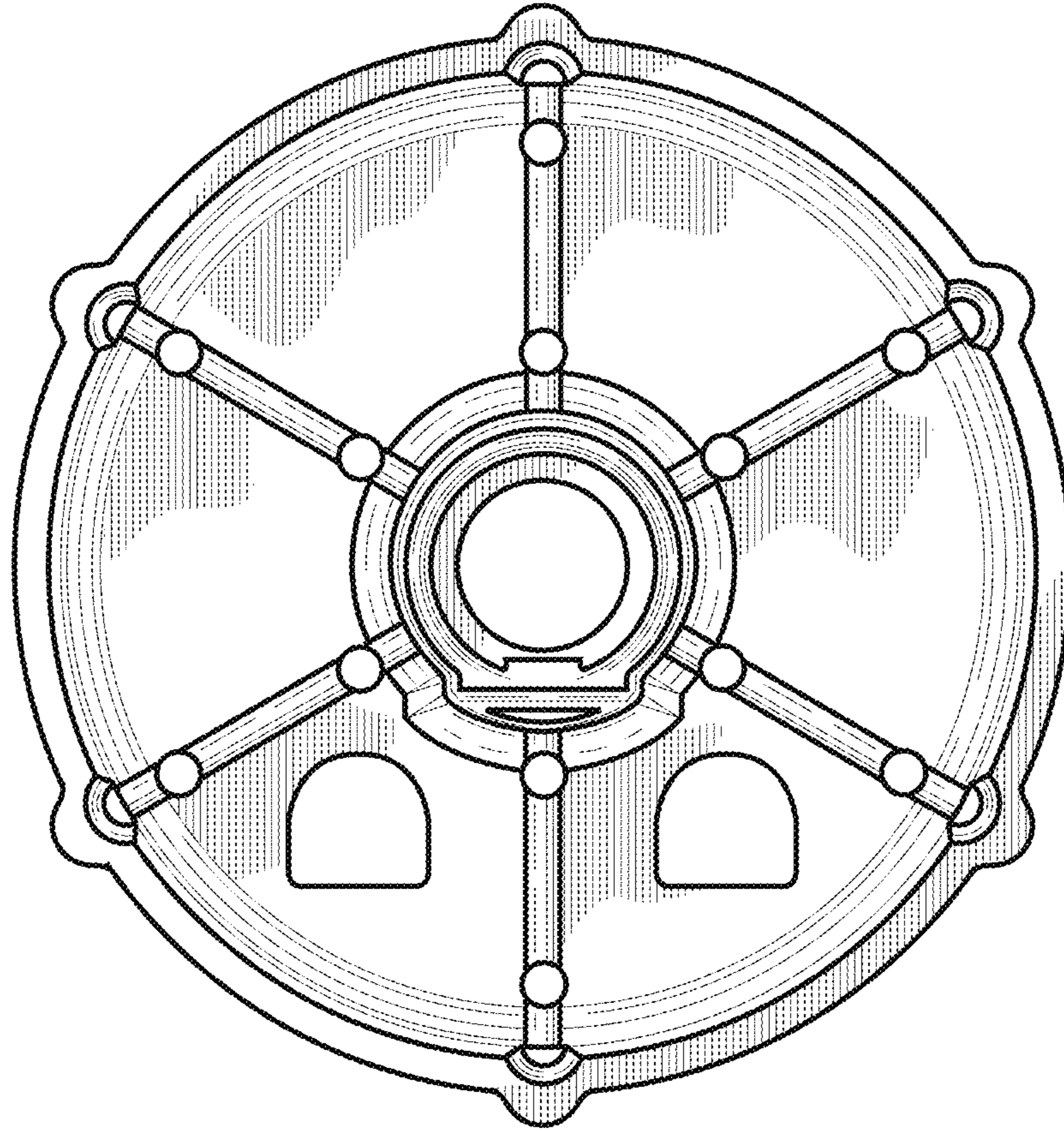


FIG. 5

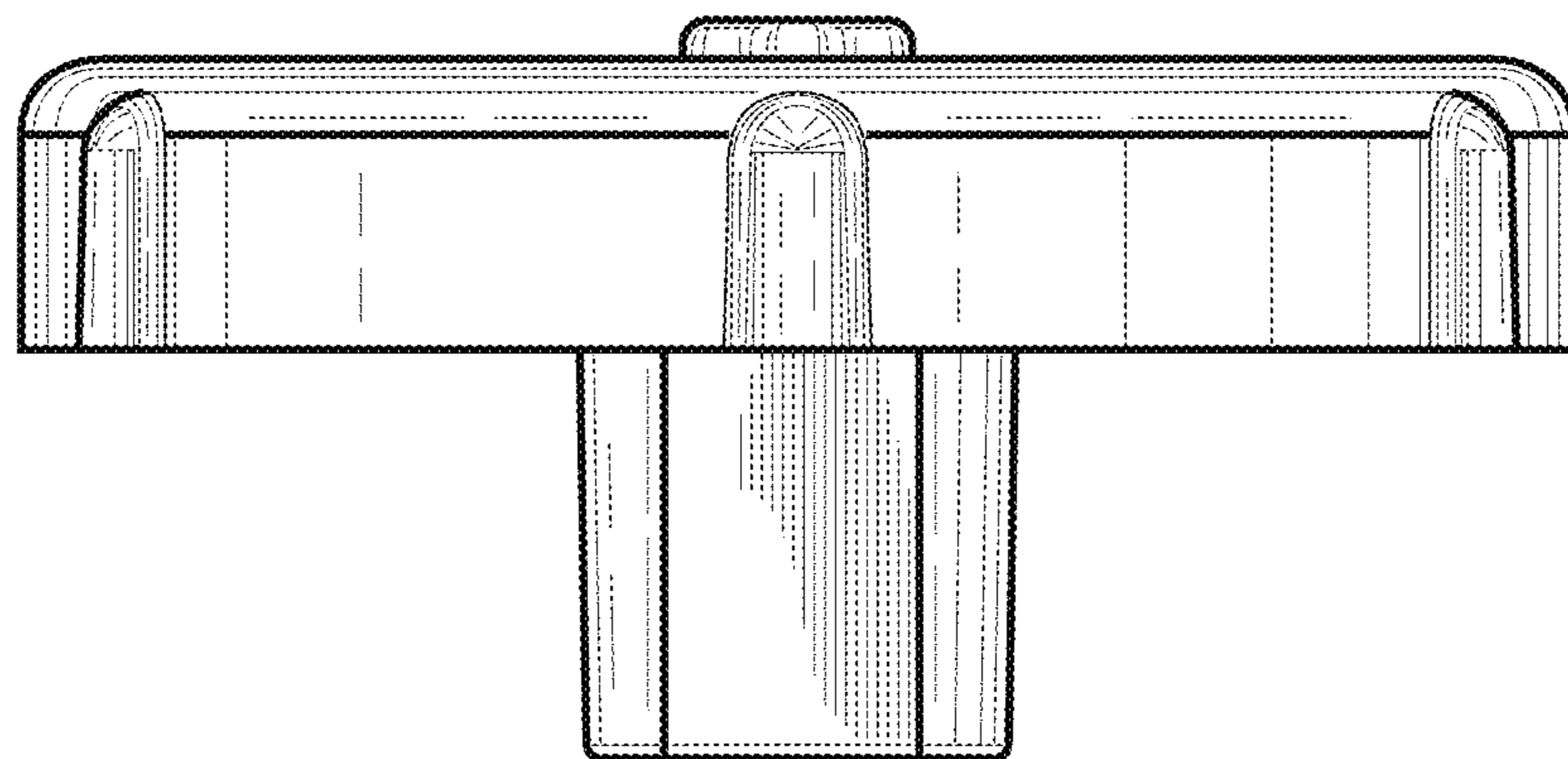
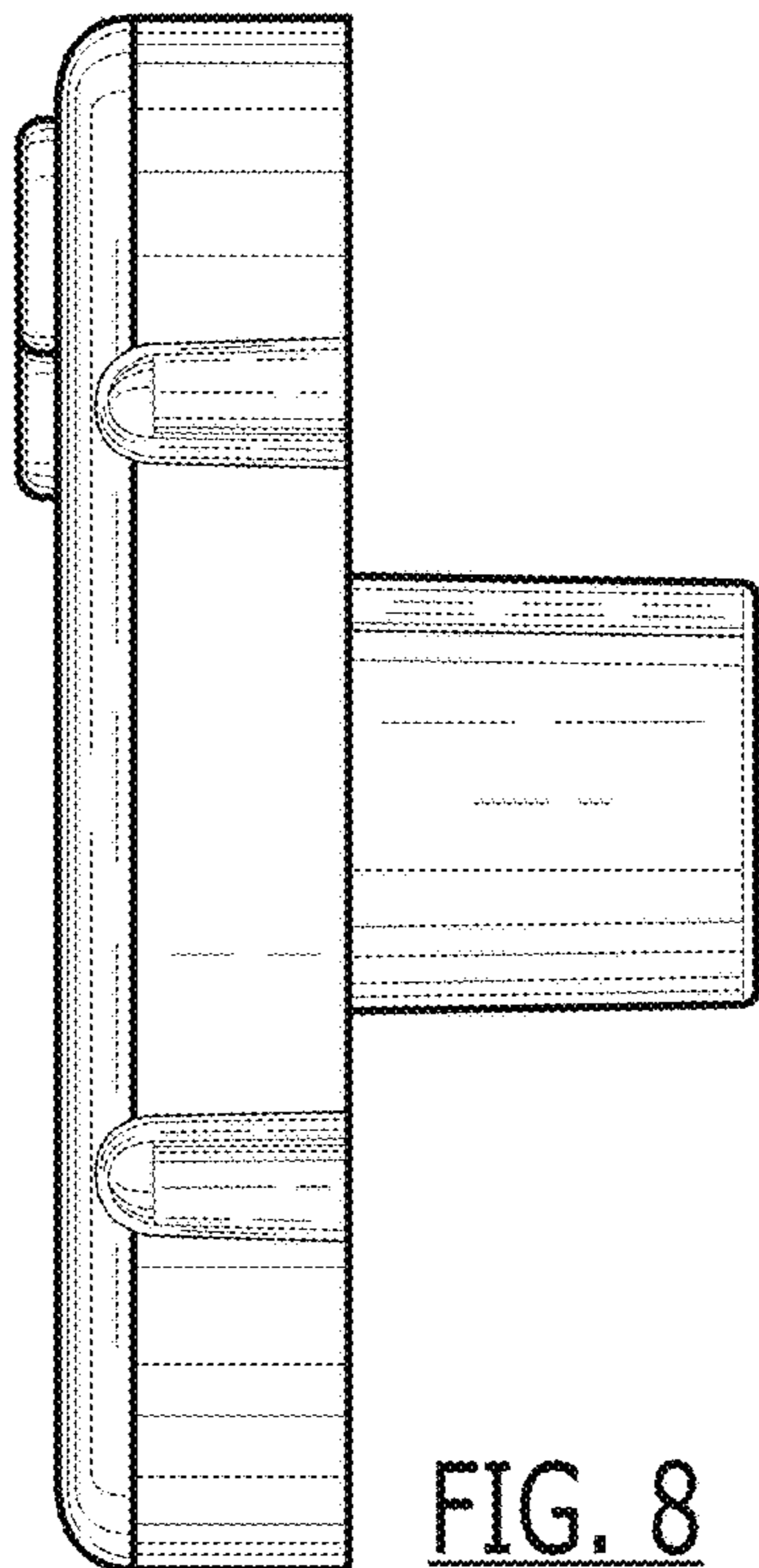
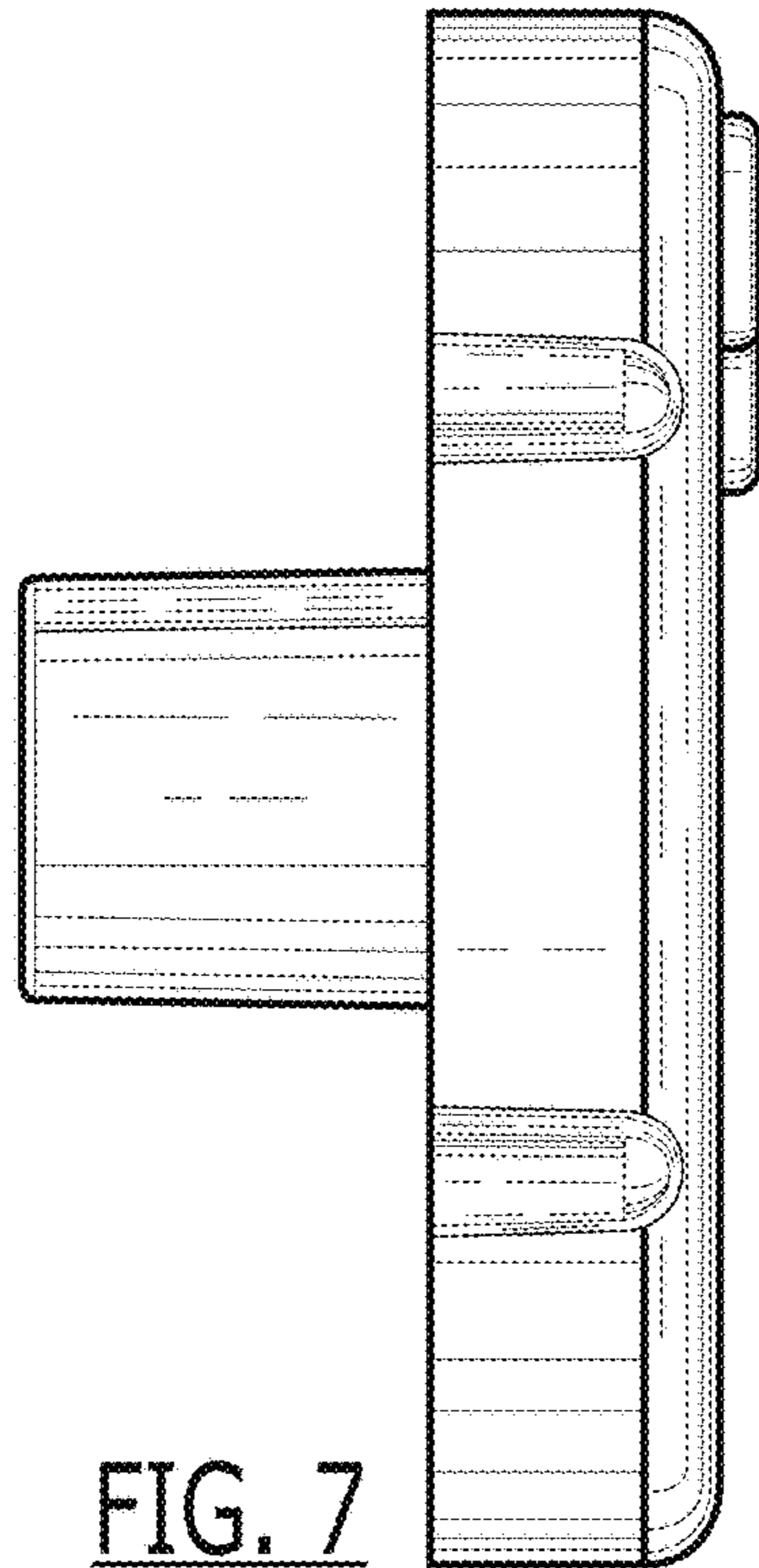


FIG. 6



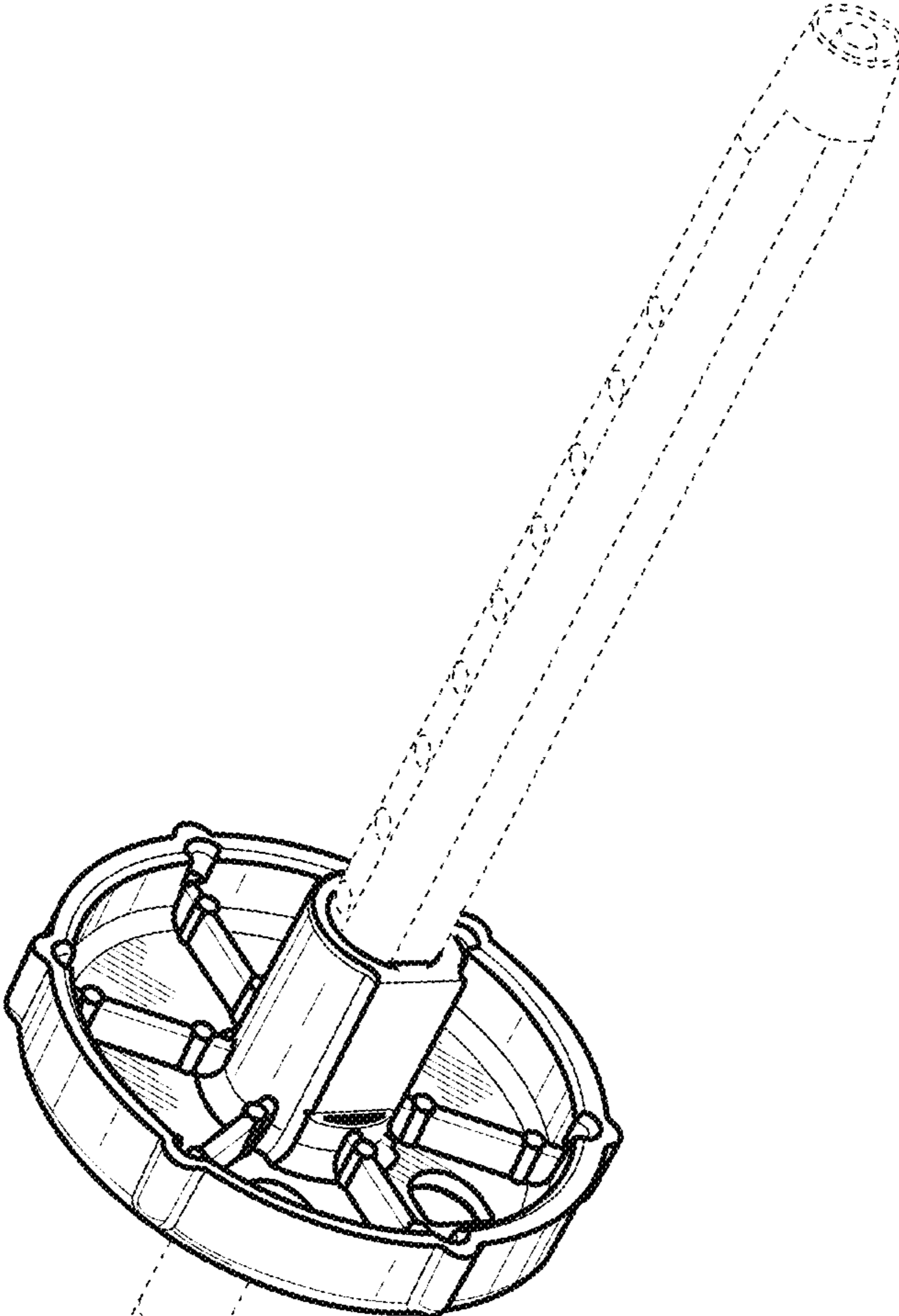


FIG. 9

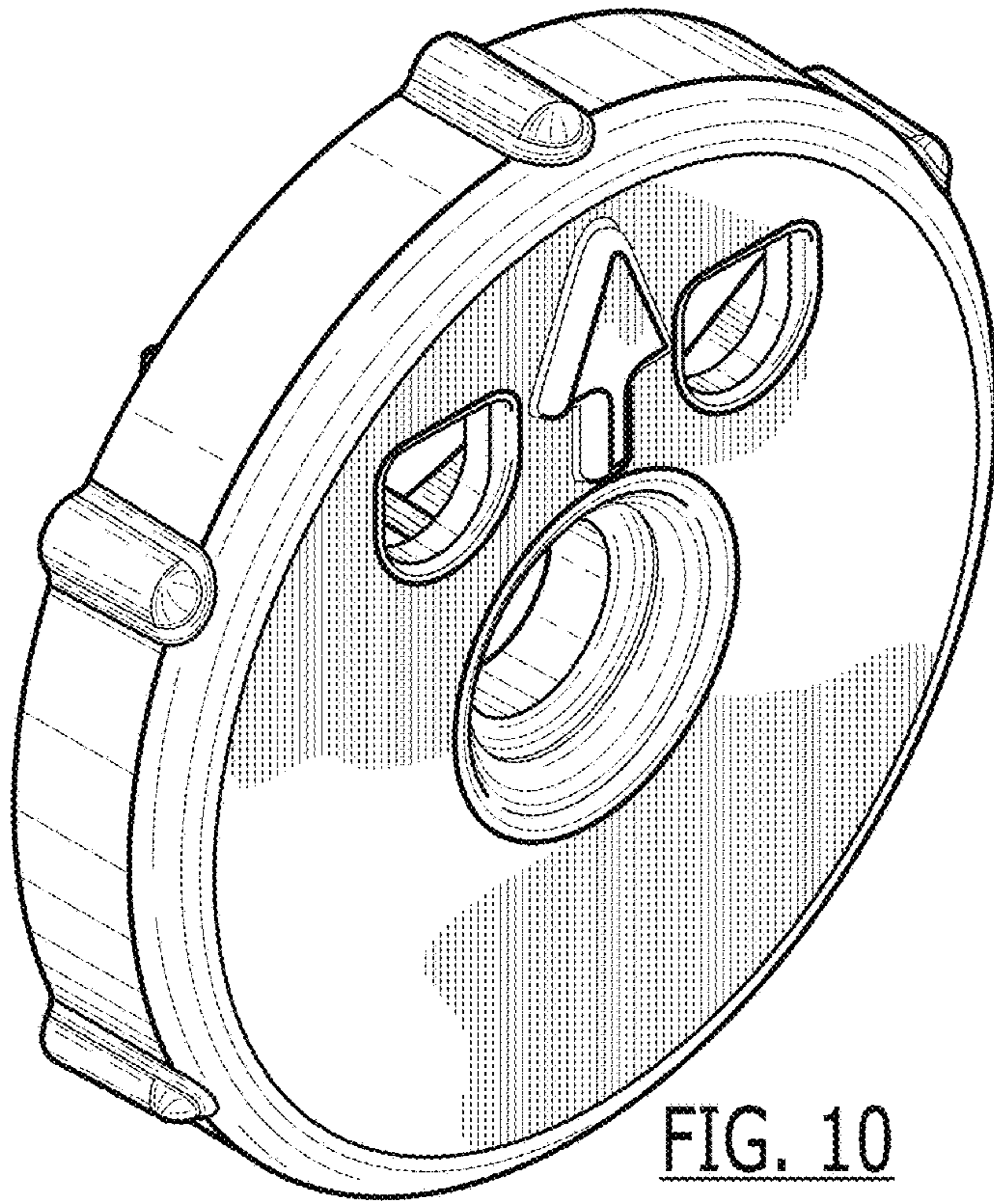


FIG. 10

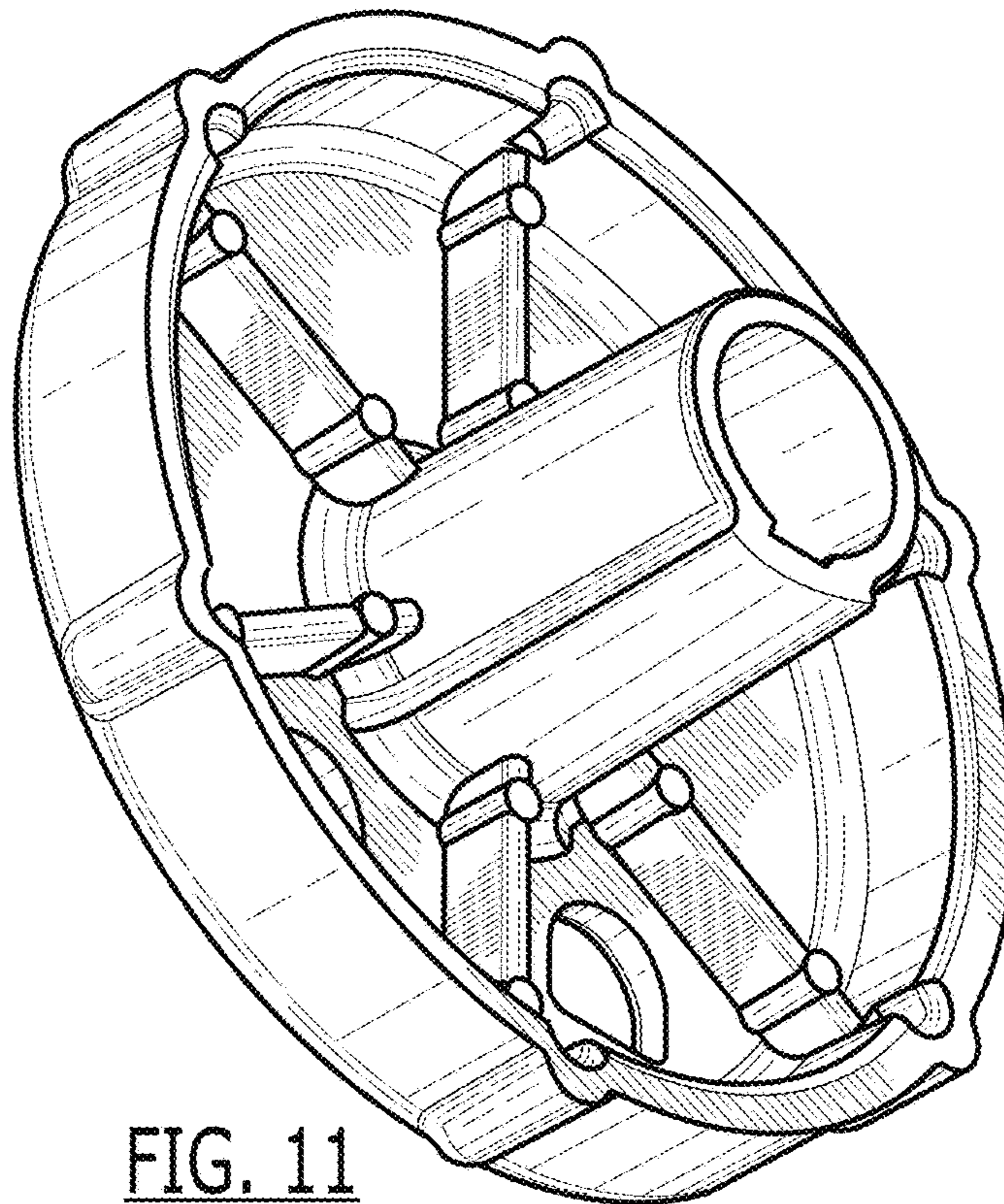


FIG. 11

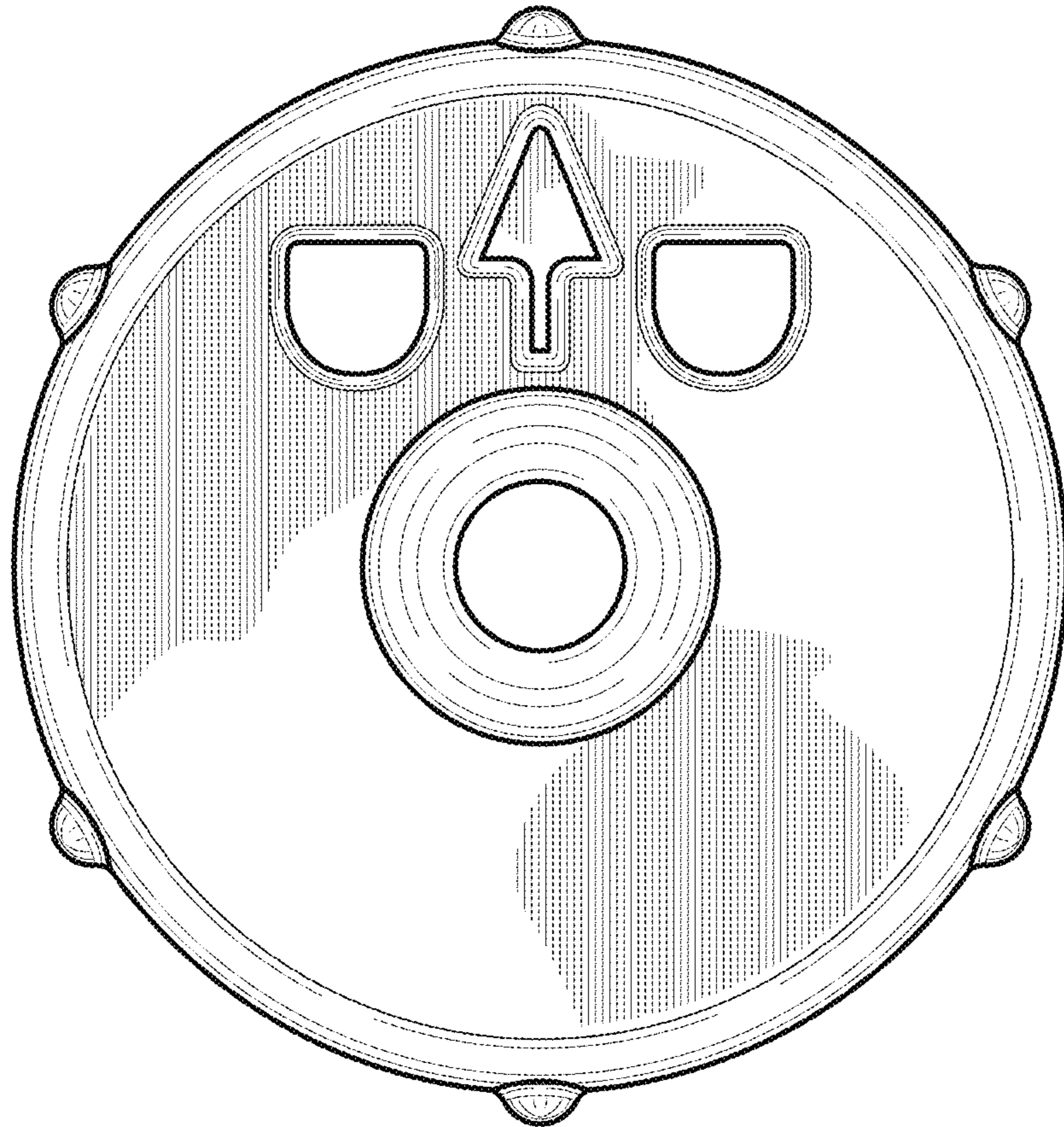


FIG. 12

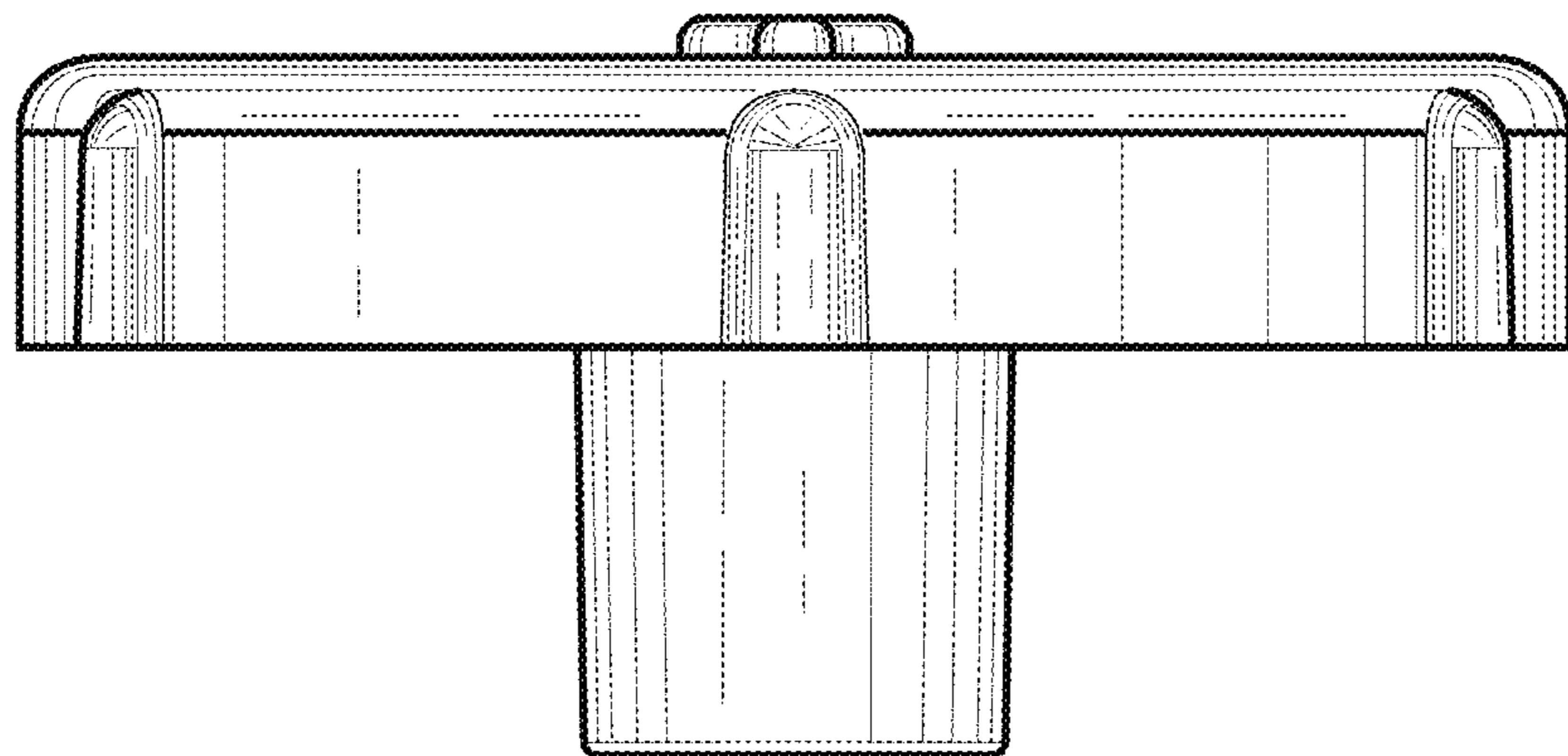


FIG. 13

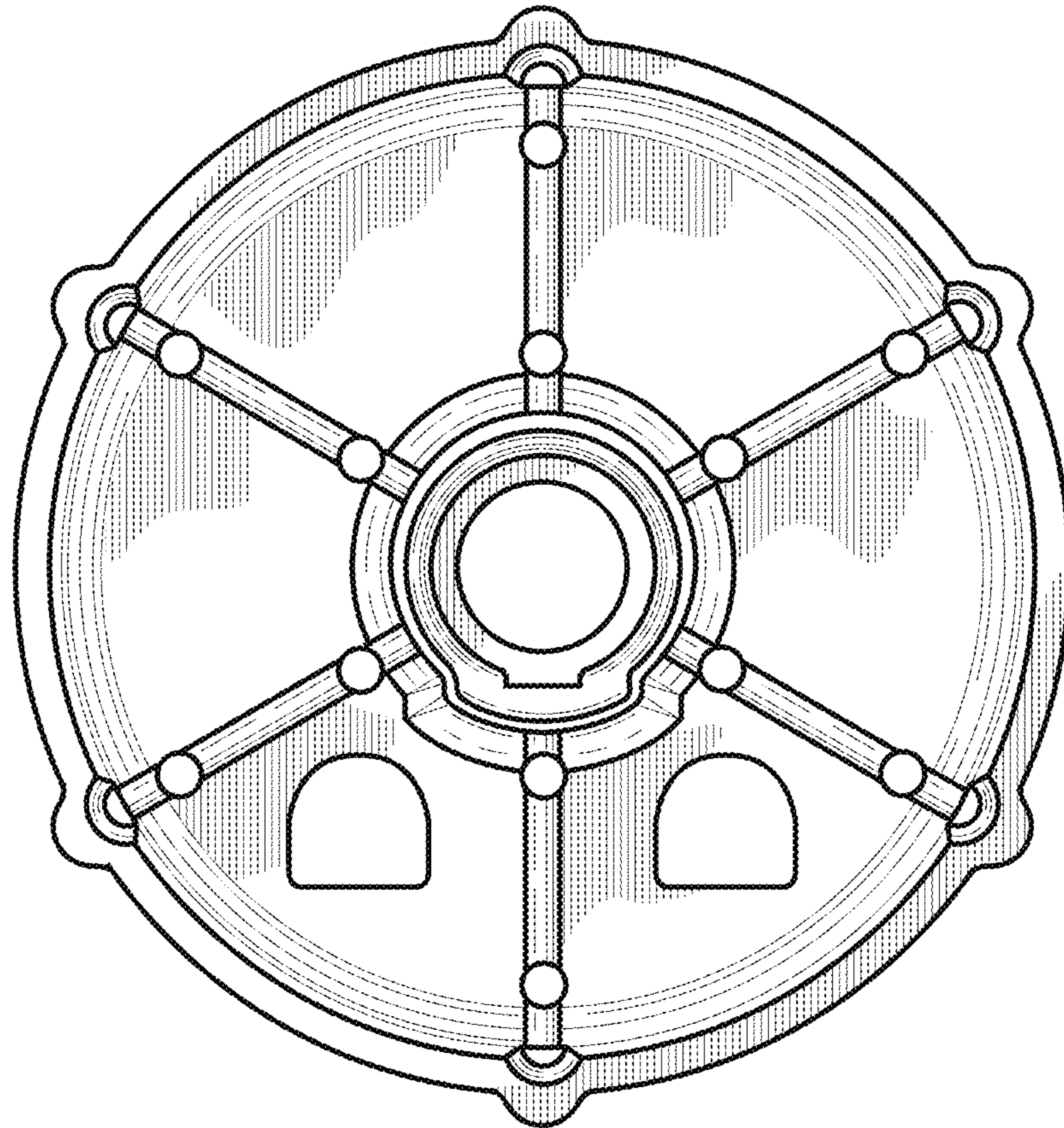


FIG. 14

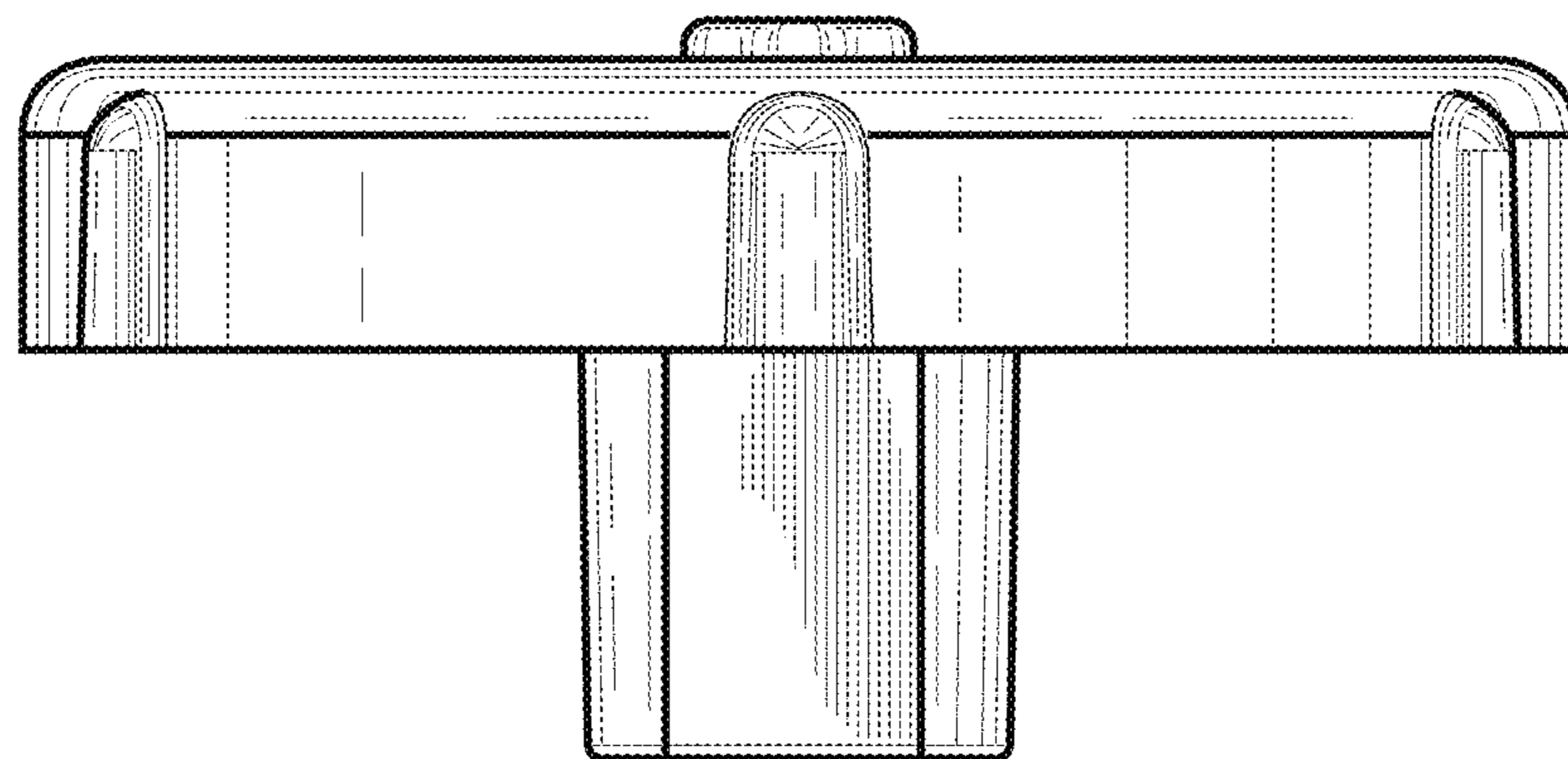
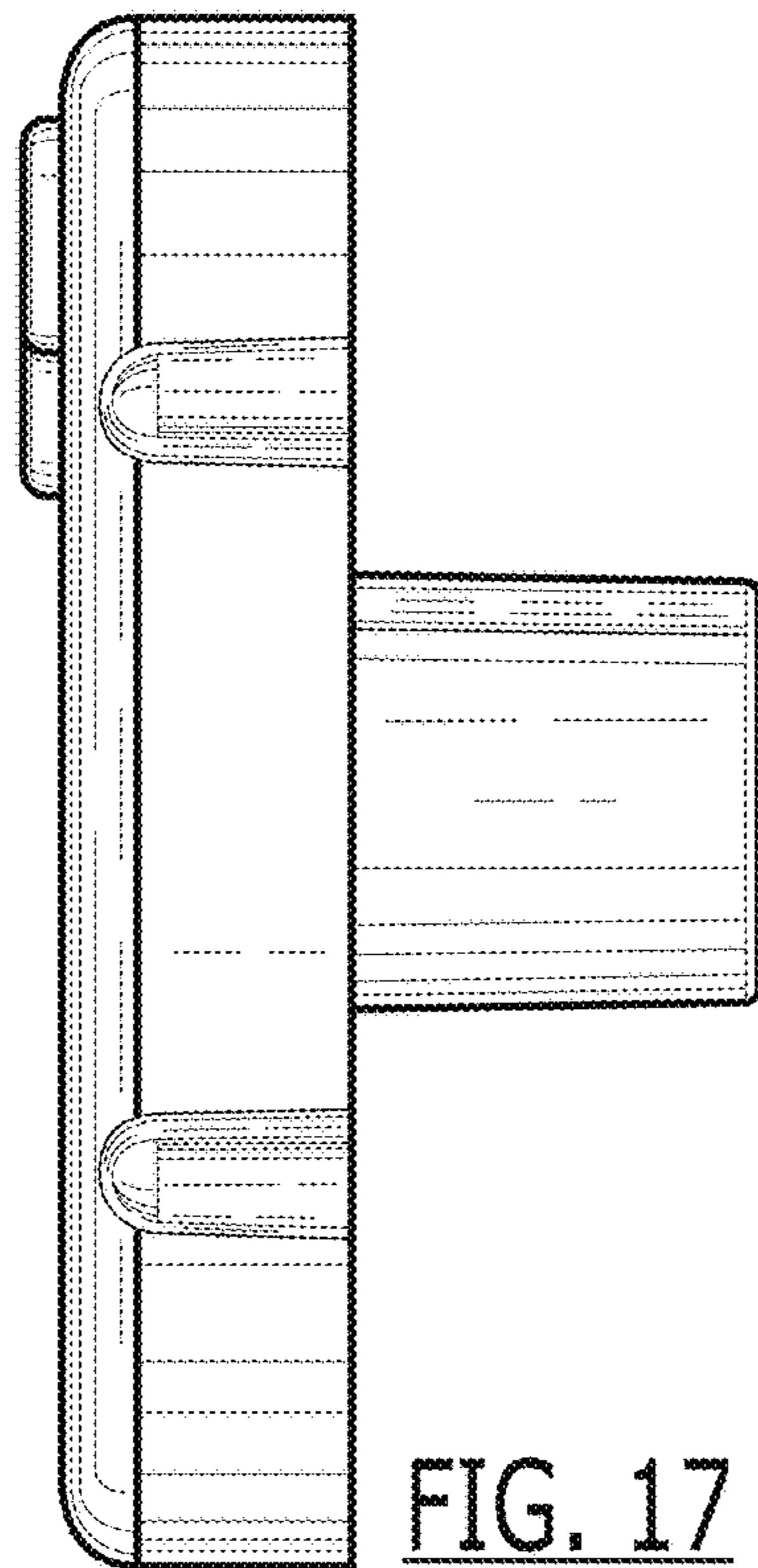
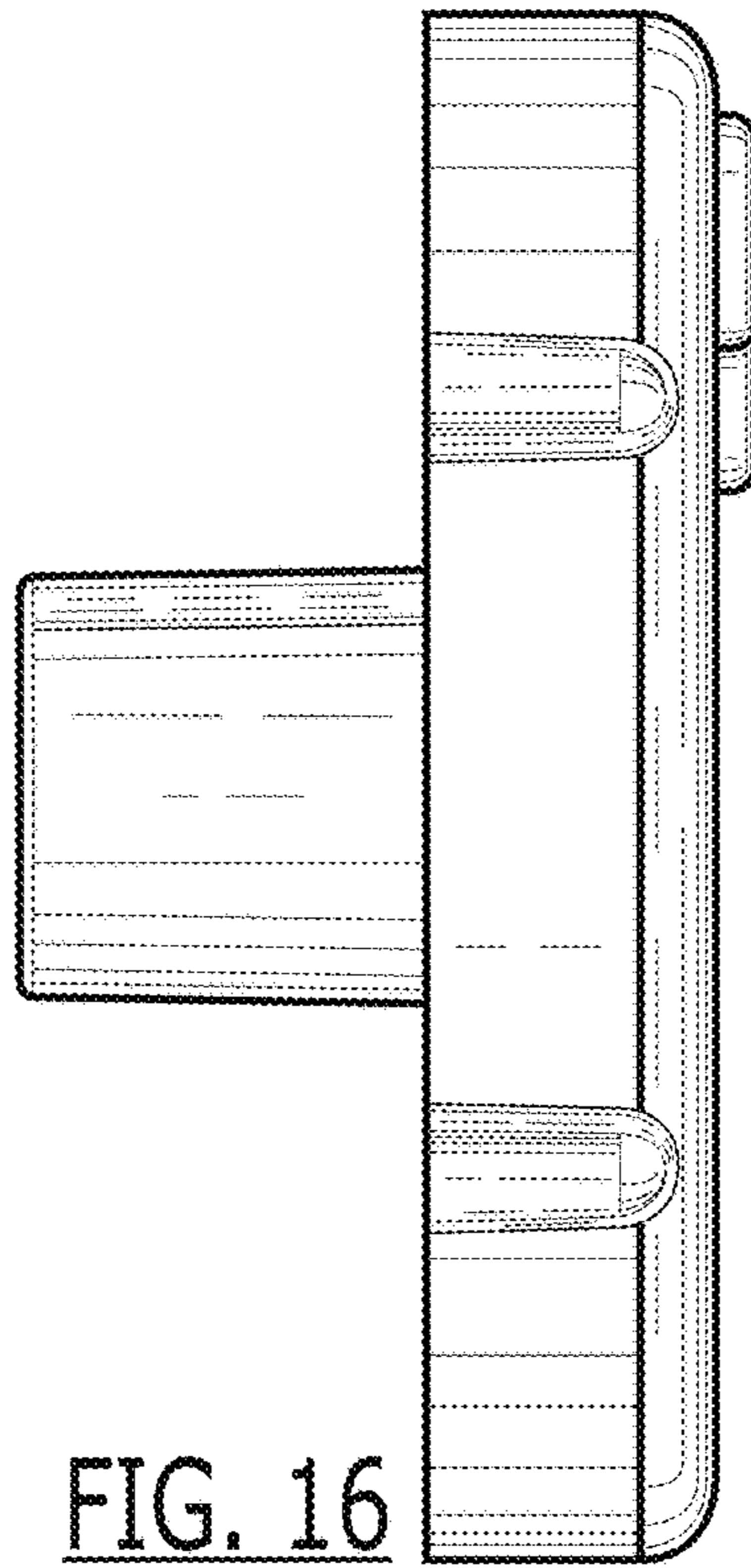


FIG. 15



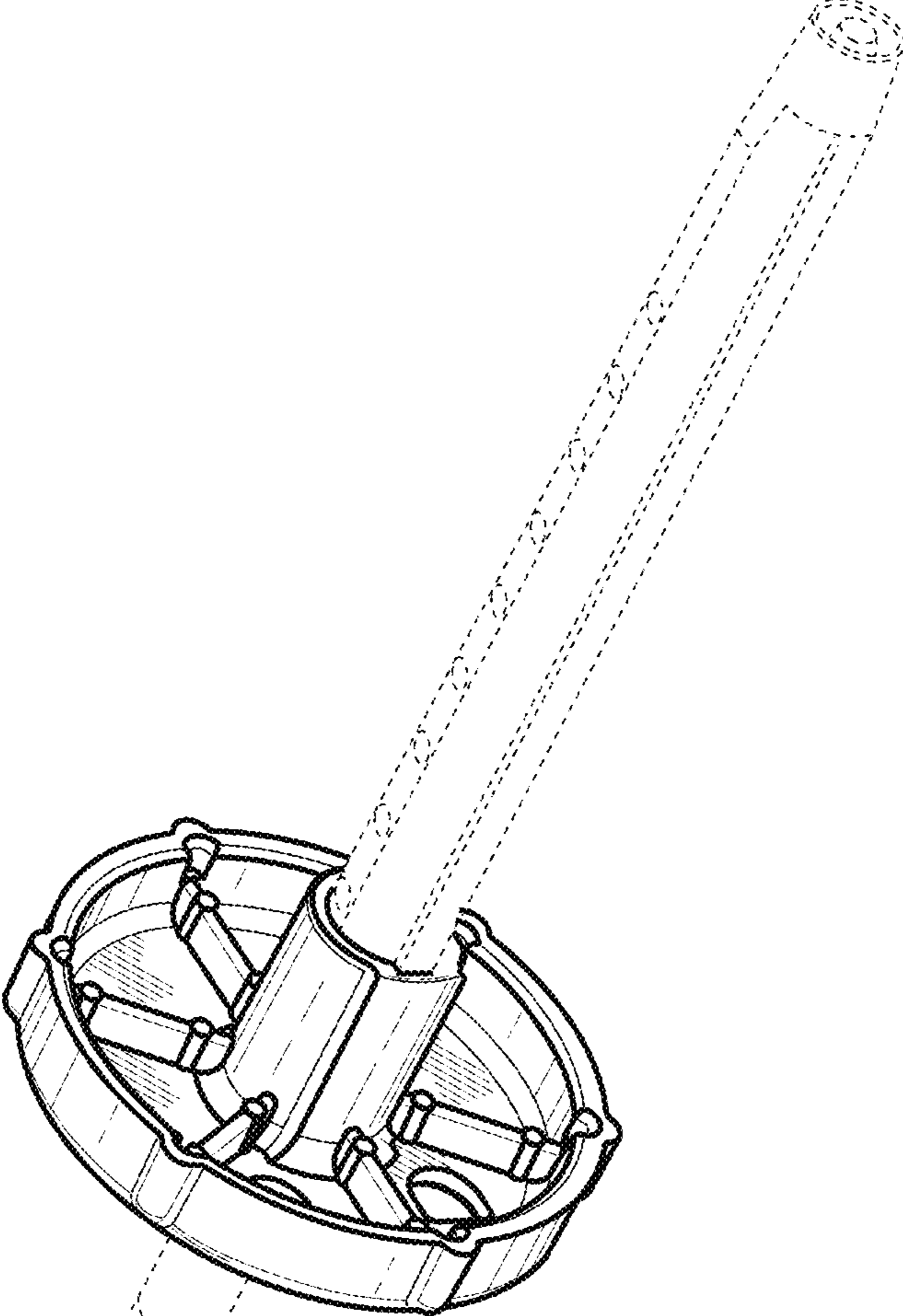


FIG. 18

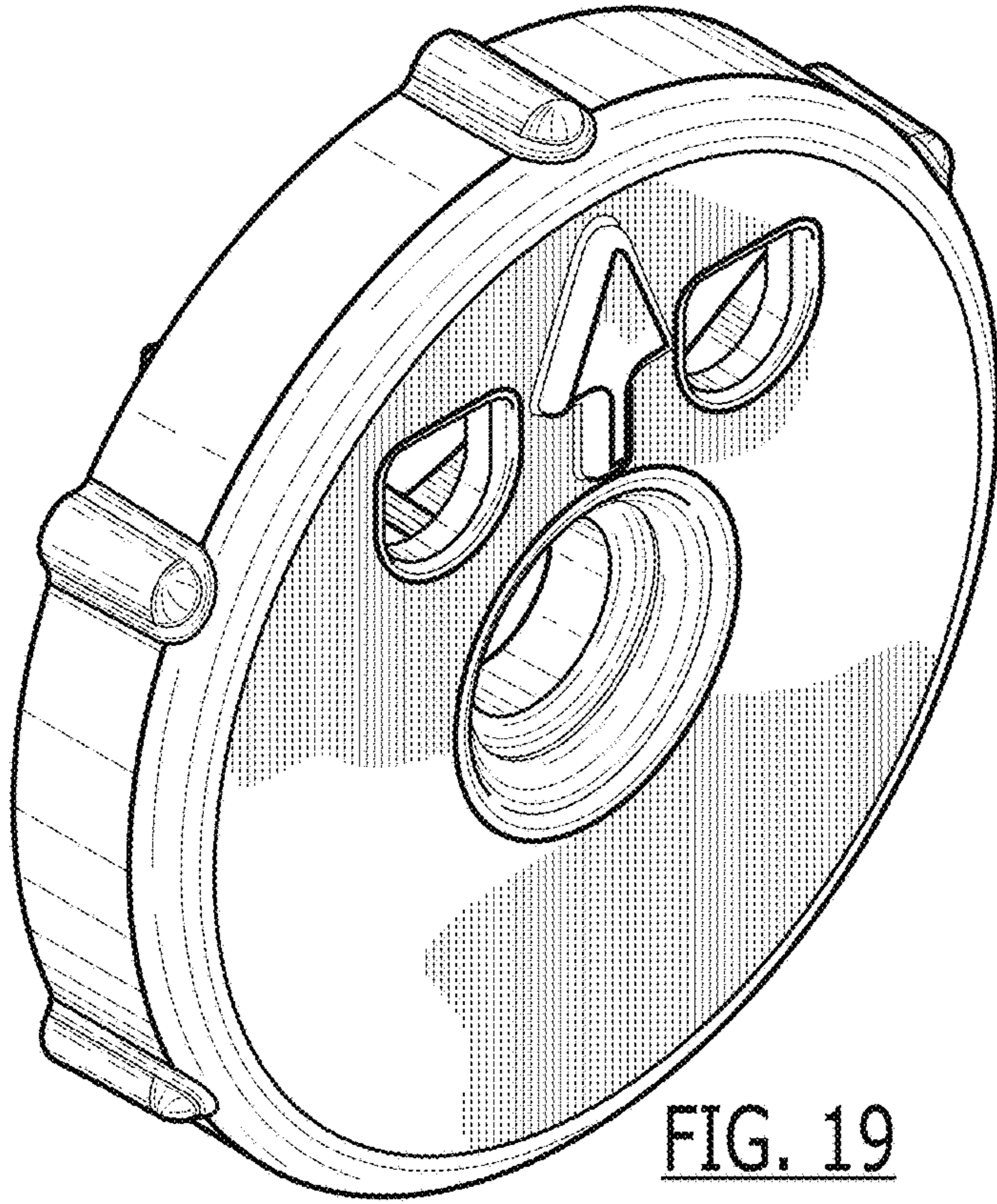


FIG. 19

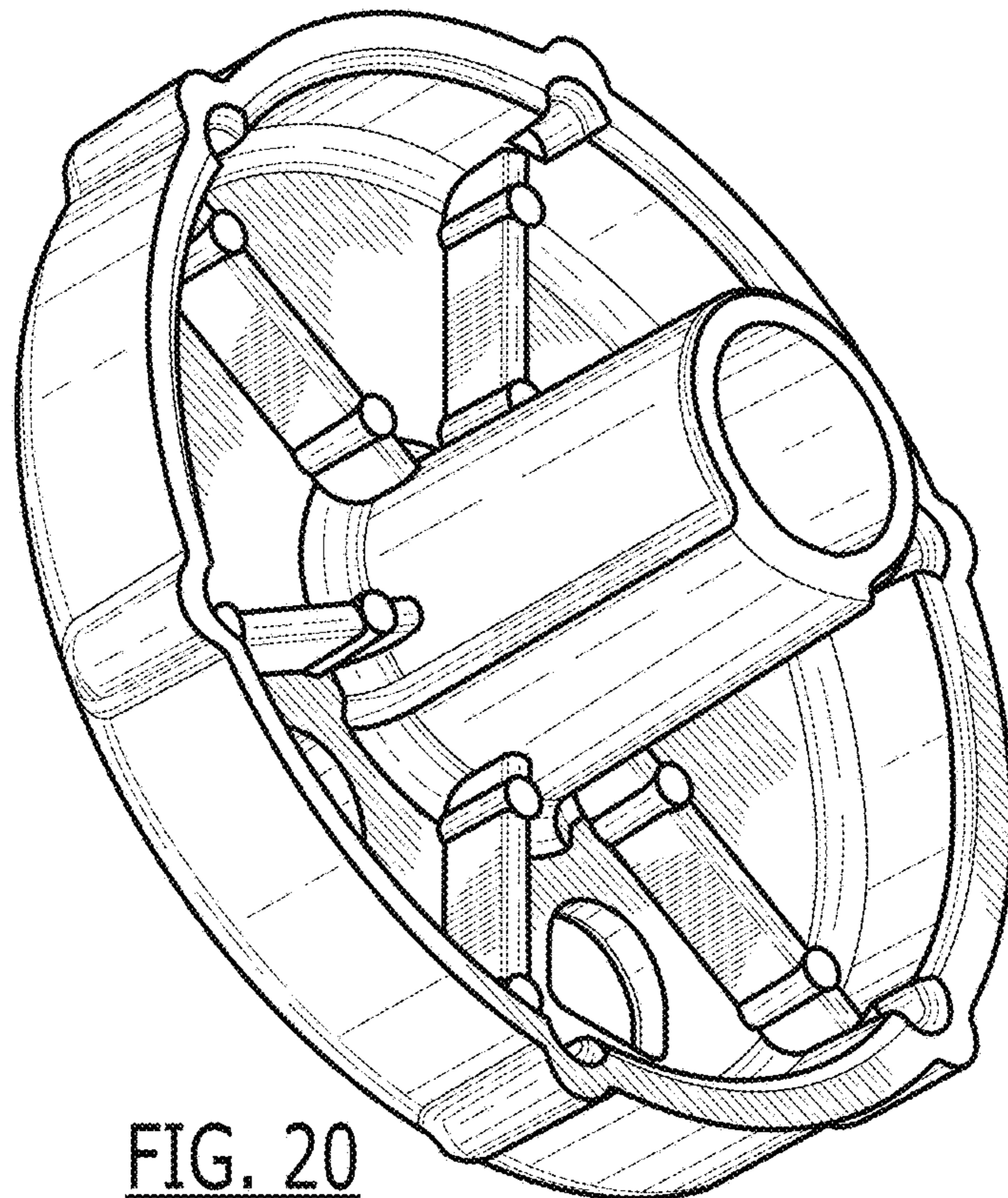


FIG. 20

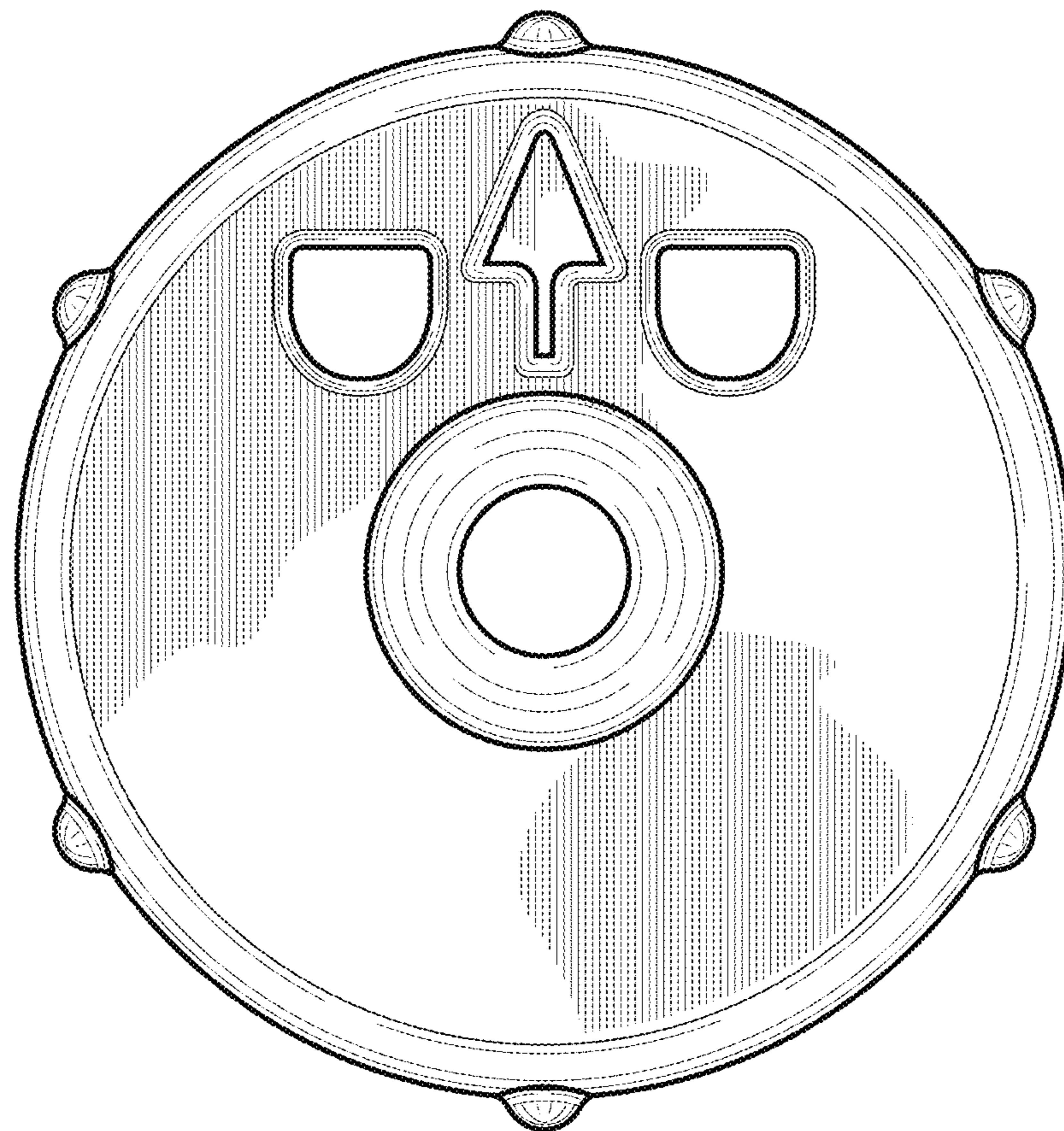


FIG. 21

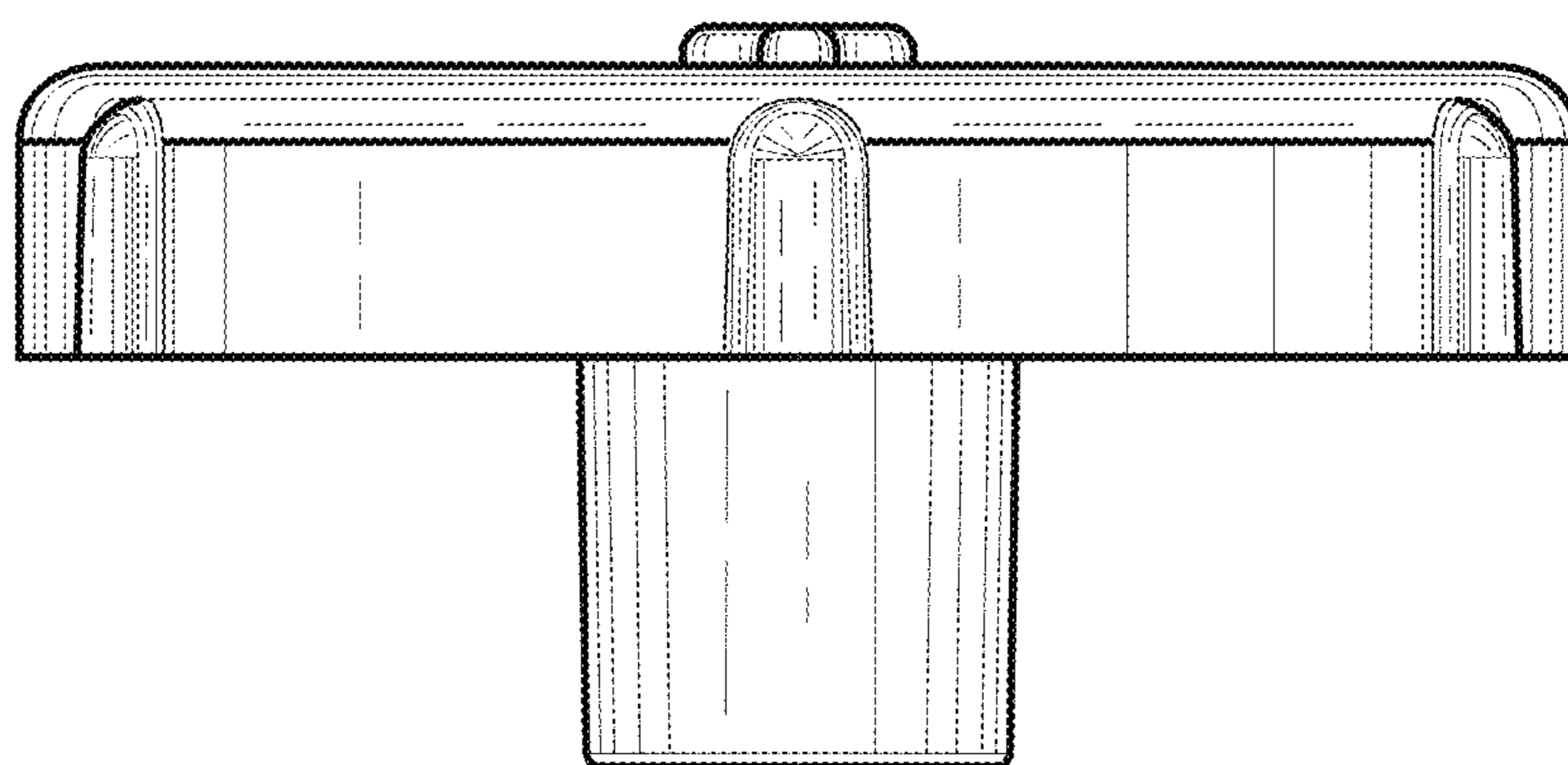


FIG. 22

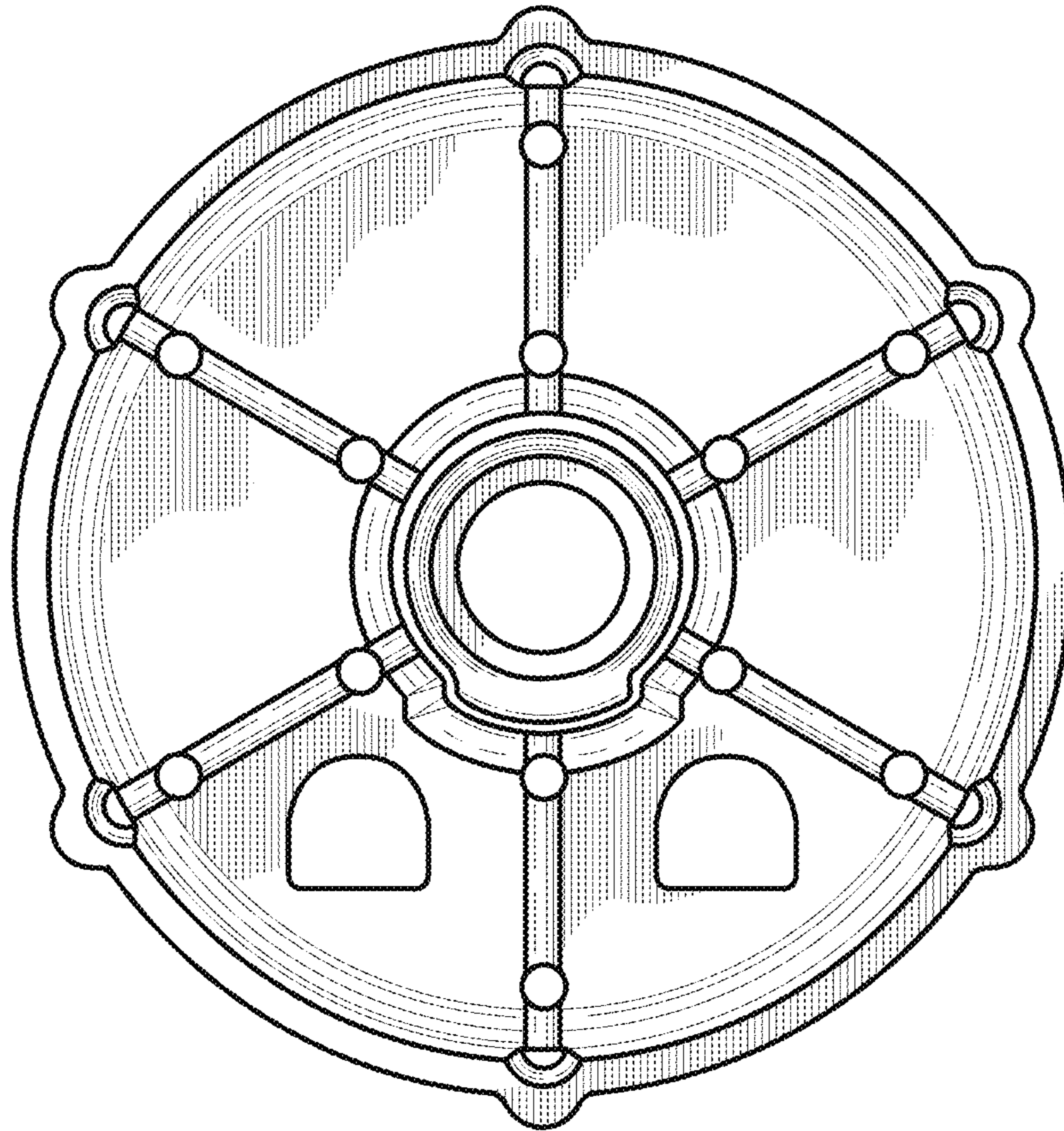


FIG. 23

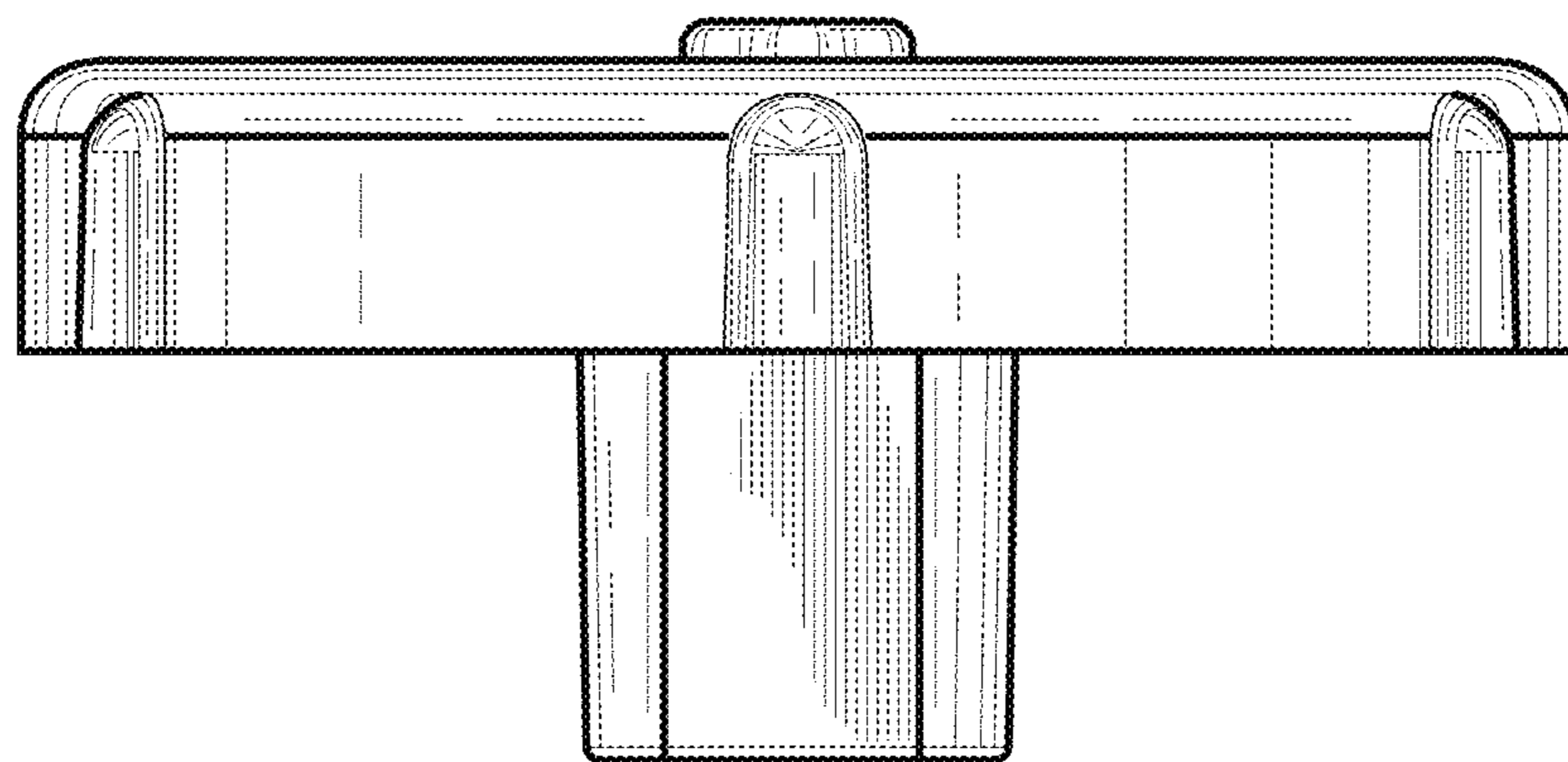
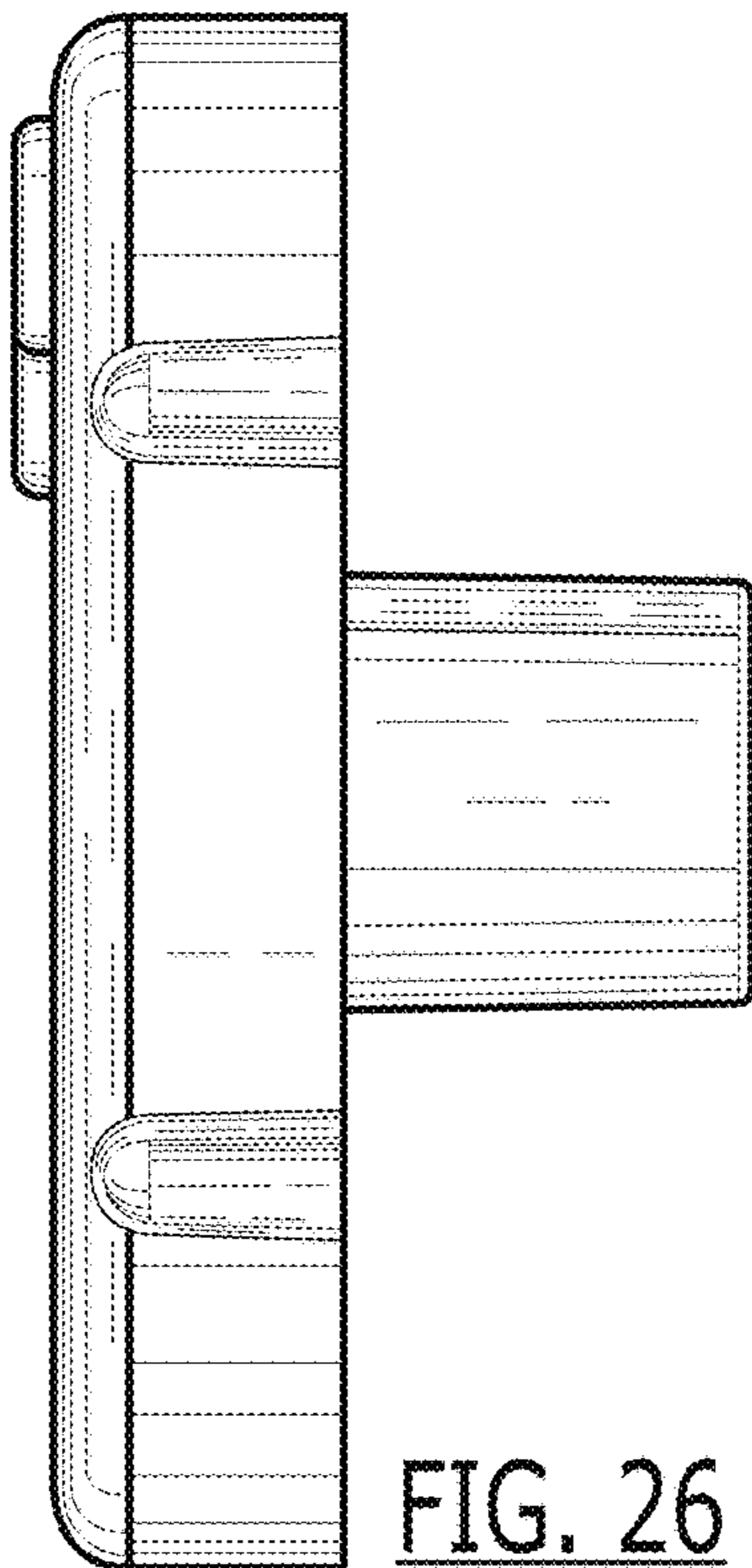
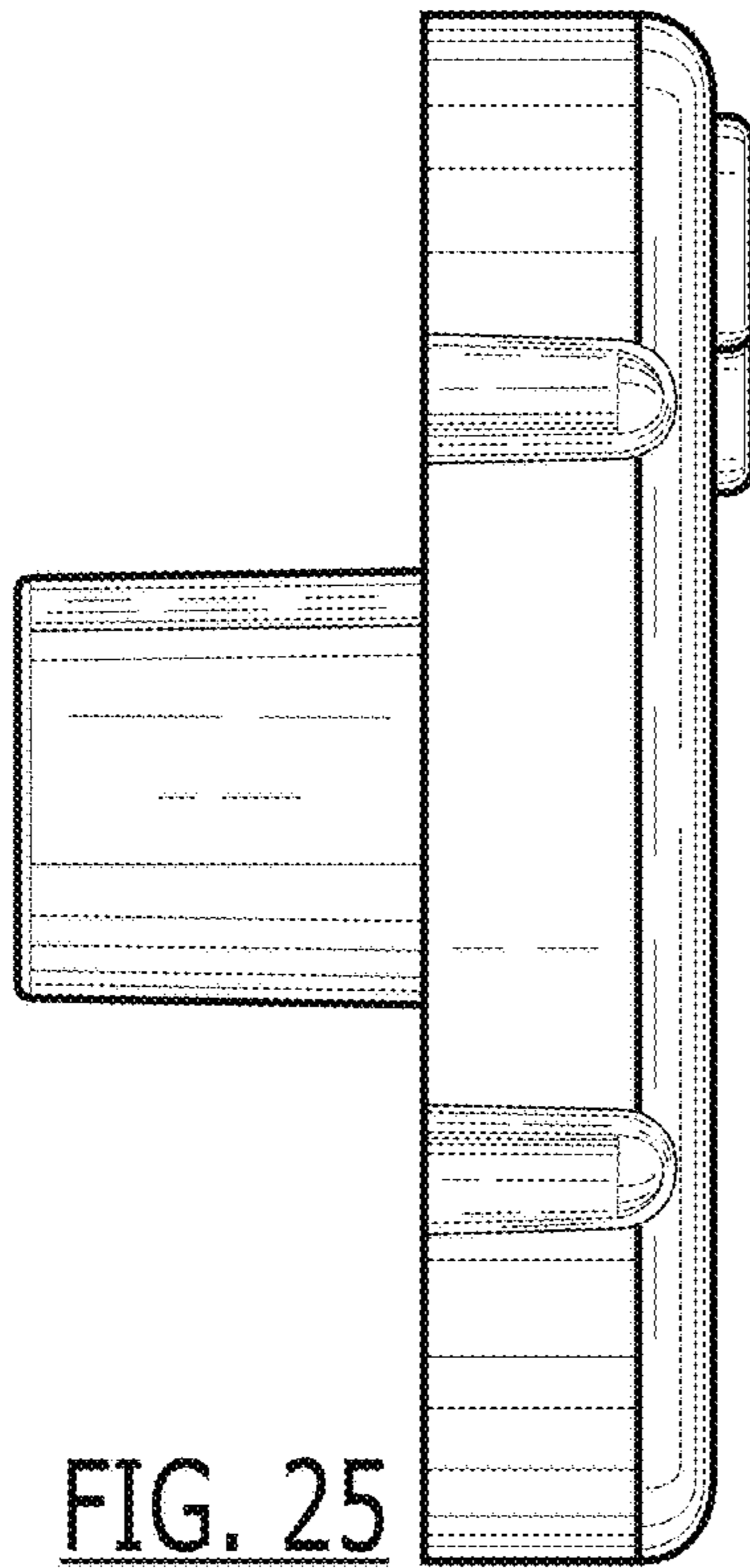


FIG. 24



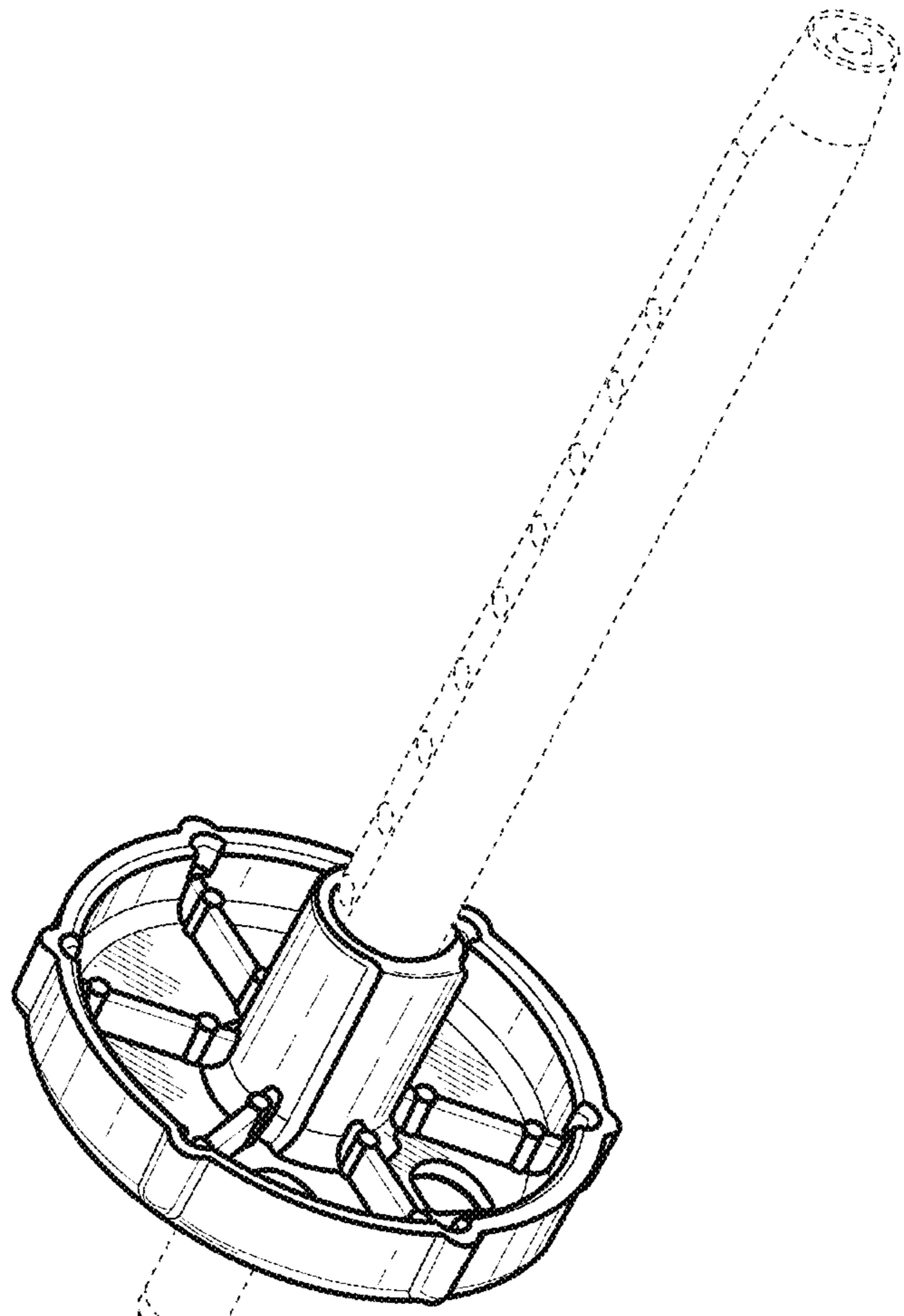


FIG. 27