



US00D810286S

(12) **United States Design Patent** (10) **Patent No.:** **US D810,286 S**  
**Conatser et al.** (45) **Date of Patent:** **\*\* Feb. 13, 2018**

(54) **SUCTION CANISTER MOUNTING BRACKET**

(71) Applicant: **Gyrus ACMI, Inc.**, Southborough, MA (US)

(72) Inventors: **Thomas Lee Conatser**, Bells, TN (US); **Joseph Green**, Bartlett, TN (US)

(73) Assignee: **Gyrus ACMI, Inc.**, Southborough, MA (US)

(\*\*) Term: **15 Years**

(21) Appl. No.: **29/562,687**

(22) Filed: **Apr. 28, 2016**

(51) **LOC (11) Cl.** ..... **24-02**

(52) **U.S. Cl.**  
USPC ..... **D24/128**

(58) **Field of Classification Search**  
USPC ..... D24/127-131, 112-114, 133, 186;  
606/181, 185; 604/264, 523-528, 272,  
604/187, 158, 164.01-164.11, 181, 184,  
604/227; 600/101, 139, 143;  
128/200.24, 207.14, 207.15  
CPC ..... A61M 25/00; A61M 39/00; A61M 27/00;  
A61M 25/0043; A61M 25/0067; A61M  
25/0097; A61F 2/958  
See application file for complete search history.

(56) **References Cited**

**U.S. PATENT DOCUMENTS**

D303,713 S \* 9/1989 Kelm ..... D24/117  
D373,823 S \* 9/1996 Baldwin ..... D24/128  
D456,898 S \* 5/2002 Yang ..... D24/122

D463,550 S \* 9/2002 Sherman ..... D24/115  
D528,659 S \* 9/2006 Cherfas ..... D24/105  
D622,377 S \* 8/2010 Jackson ..... D24/128  
D627,063 S \* 11/2010 West ..... D24/128  
D683,017 S \* 5/2013 Primeau ..... D24/112  
D694,883 S \* 12/2013 Zamierowski ..... A61B 5/445  
D24/133  
D734,541 S \* 7/2015 Petruccelli ..... D24/128  
D746,474 S \* 12/2015 Koros ..... D24/128  
D750,773 S \* 3/2016 Eaton ..... D24/128  
D762,300 S \* 7/2016 Breitweiser ..... D24/128

\* cited by examiner

*Primary Examiner* — David Muller

(74) *Attorney, Agent, or Firm* — Gerald P. Kazanjian; Yi Chen

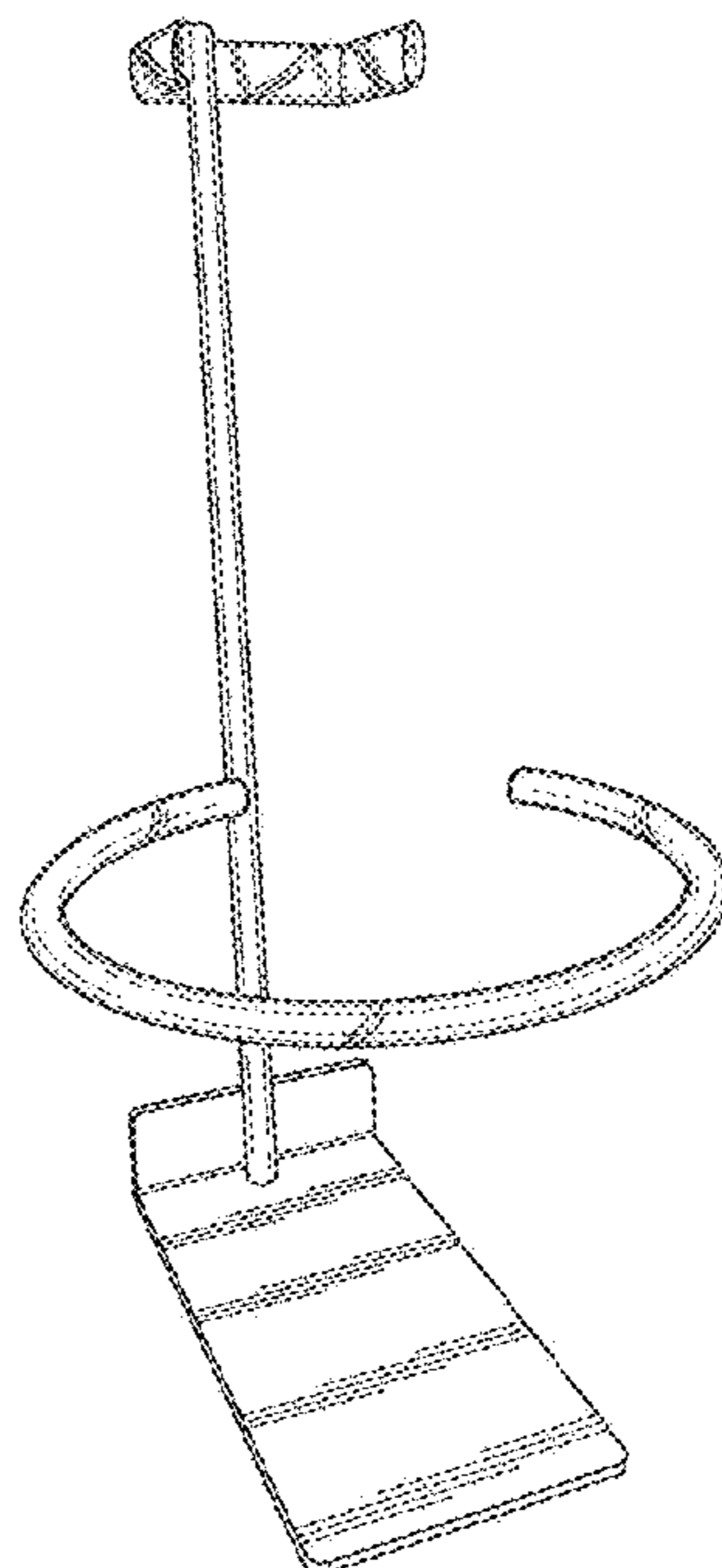
(57) **CLAIM**

The ornamental design for a suction canister mounting bracket, substantially as shown and described.

**DESCRIPTION**

FIG. 1 is a front perspective view of the suction canister mounting bracket;  
FIG. 2 is a front perspective view of the suction canister mounting bracket without the transparent coverage;  
FIG. 3 is a front elevation view of FIG. 2;  
FIG. 4 is a rear elevation view of FIG. 2;  
FIG. 5 is a left side elevation view of FIG. 2;  
FIG. 6 is a right side elevation view of FIG. 2;  
FIG. 7 is a top plan view of FIG. 2; and,  
FIG. 8 is a bottom plan view of FIG. 2.  
The broken line showing of parts of the drawings is included for the purpose of illustrating use and environment and forms no part of the claimed design.

**1 Claim, 8 Drawing Sheets**



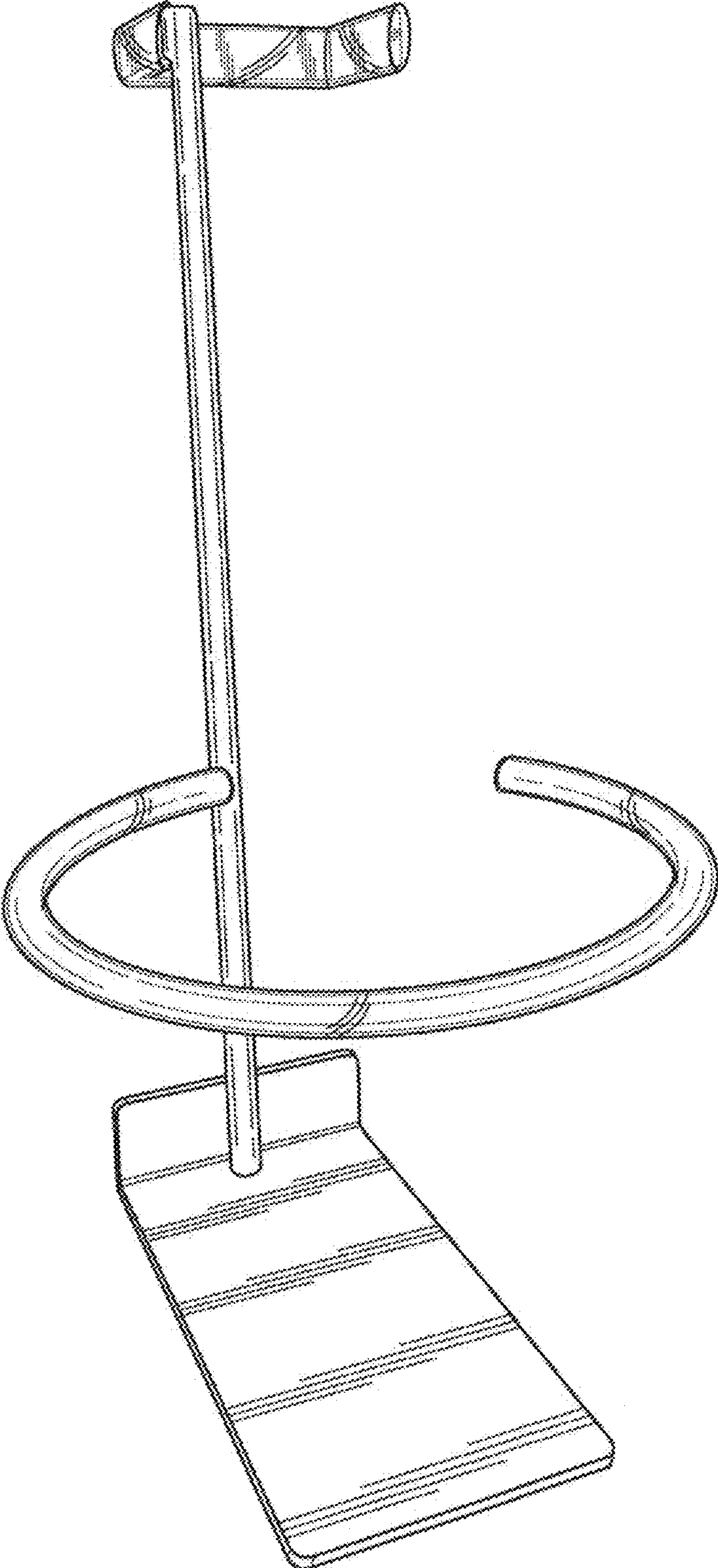


FIG. 1

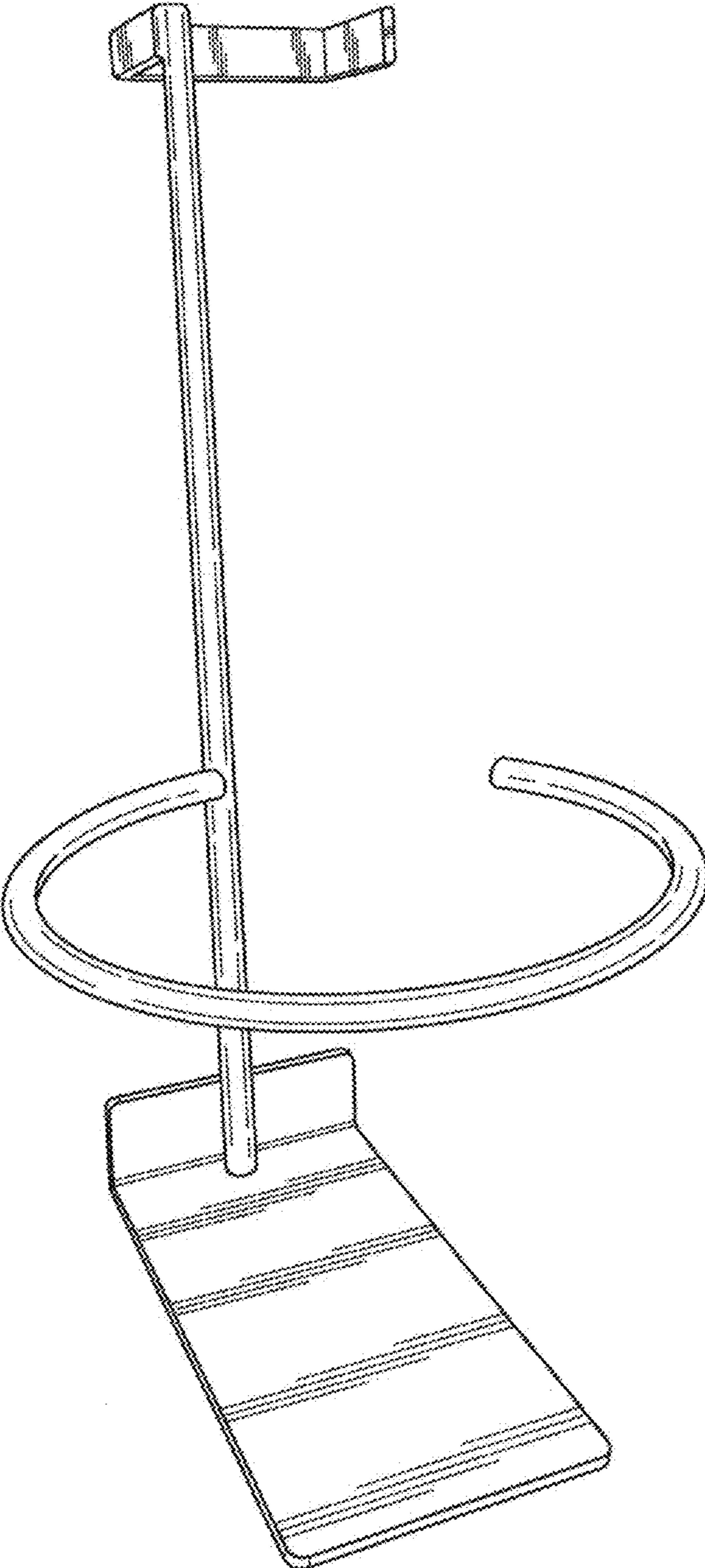


FIG. 2

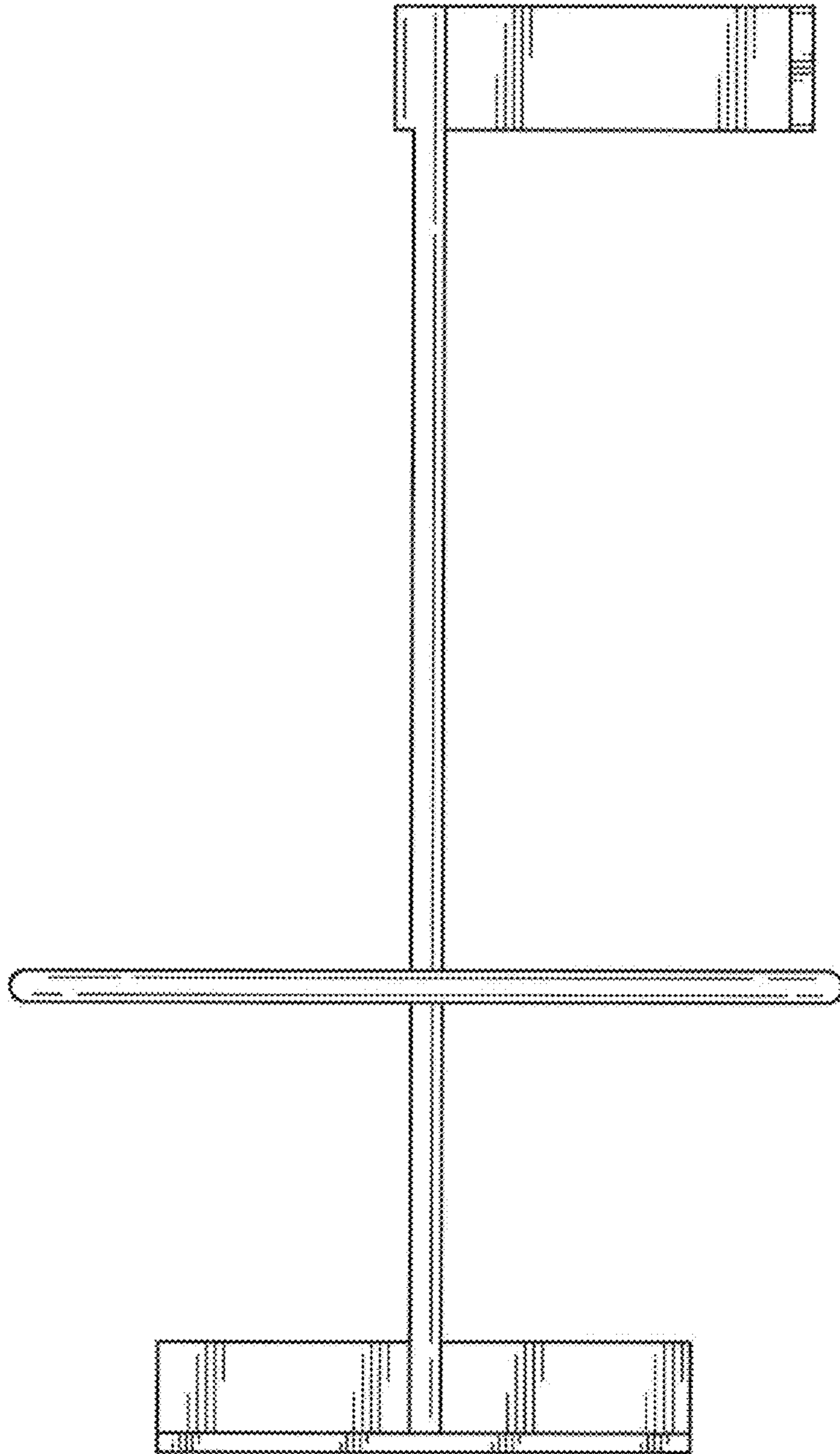


FIG. 3



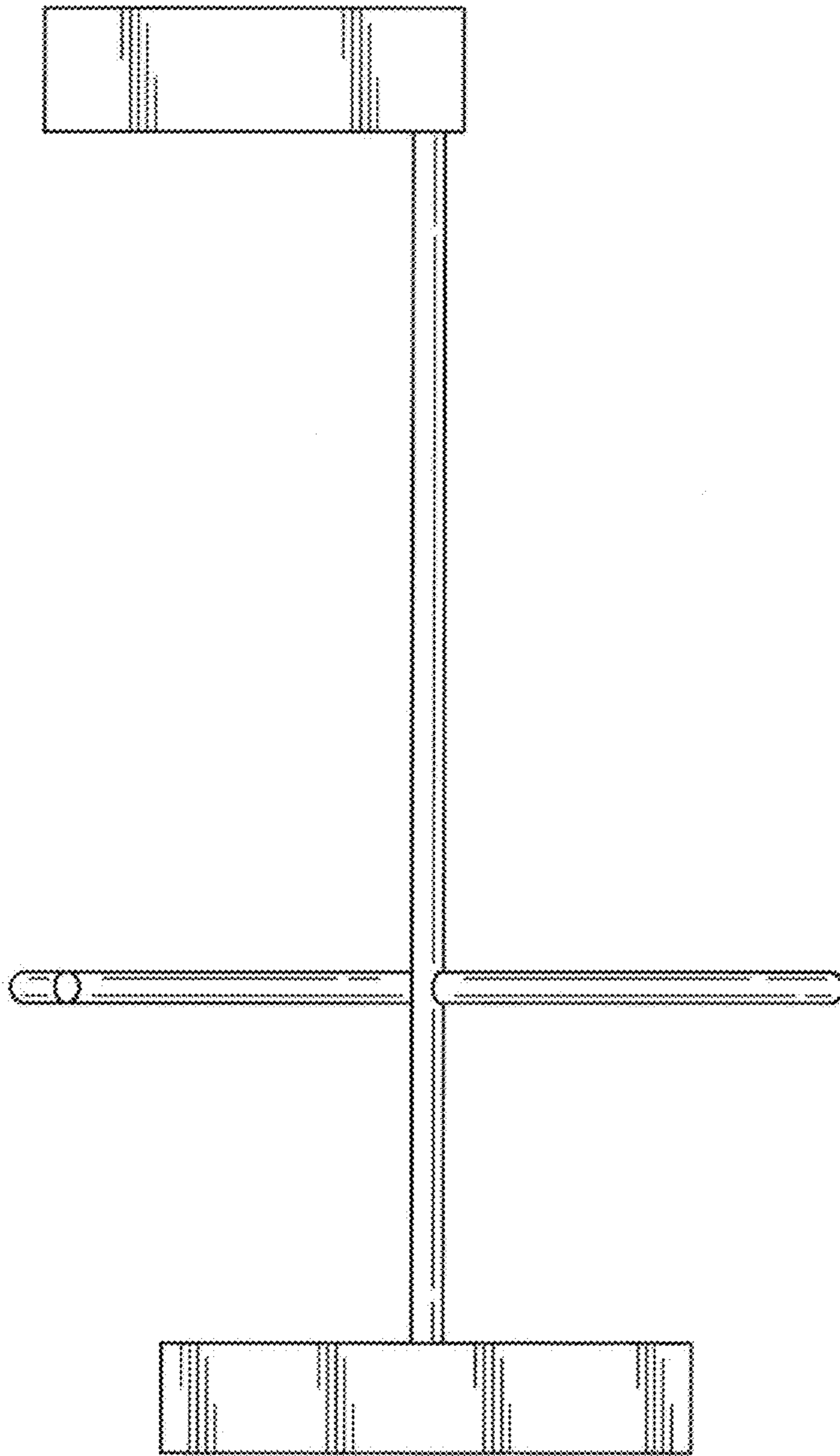


FIG. 4

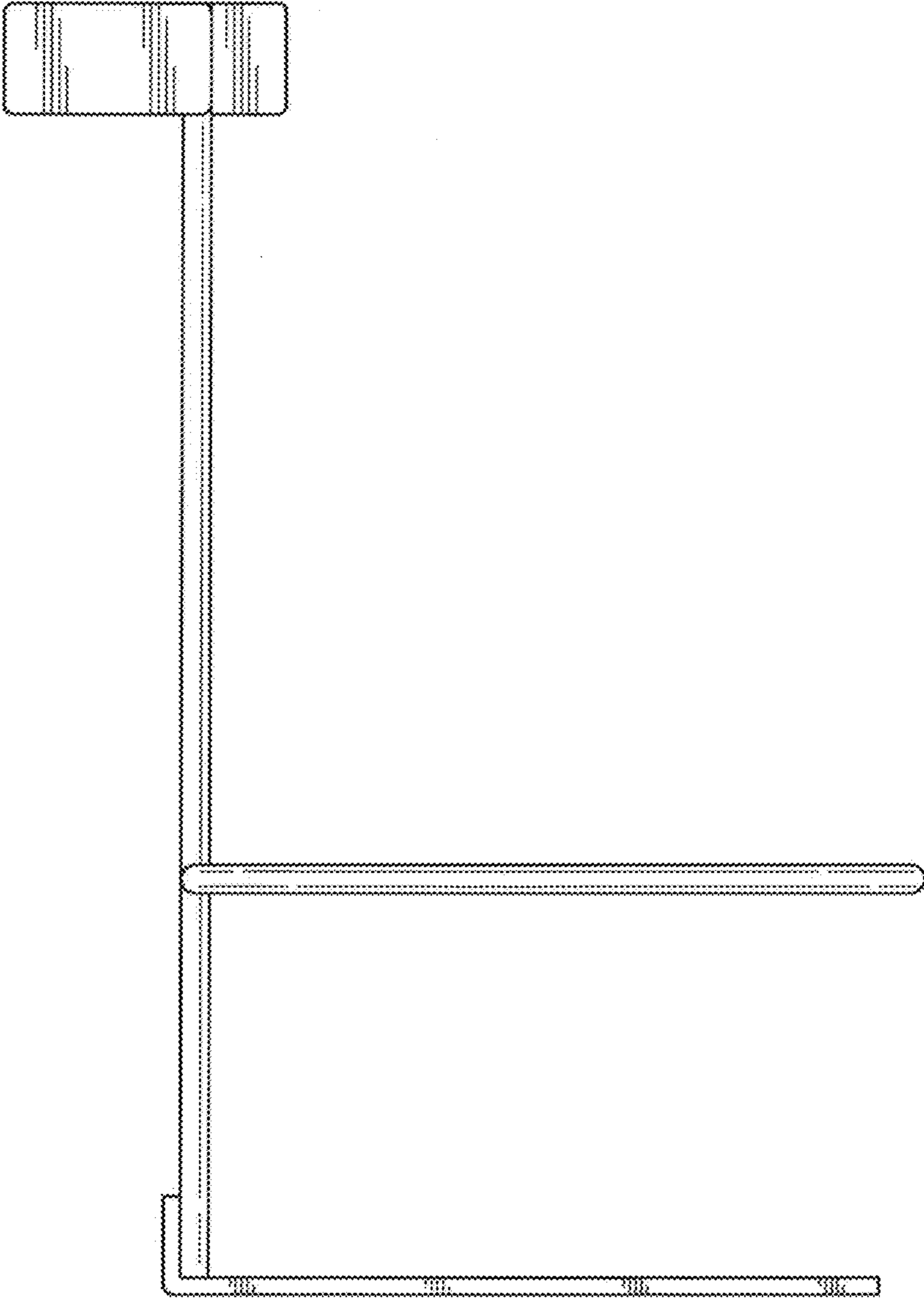


FIG. 5

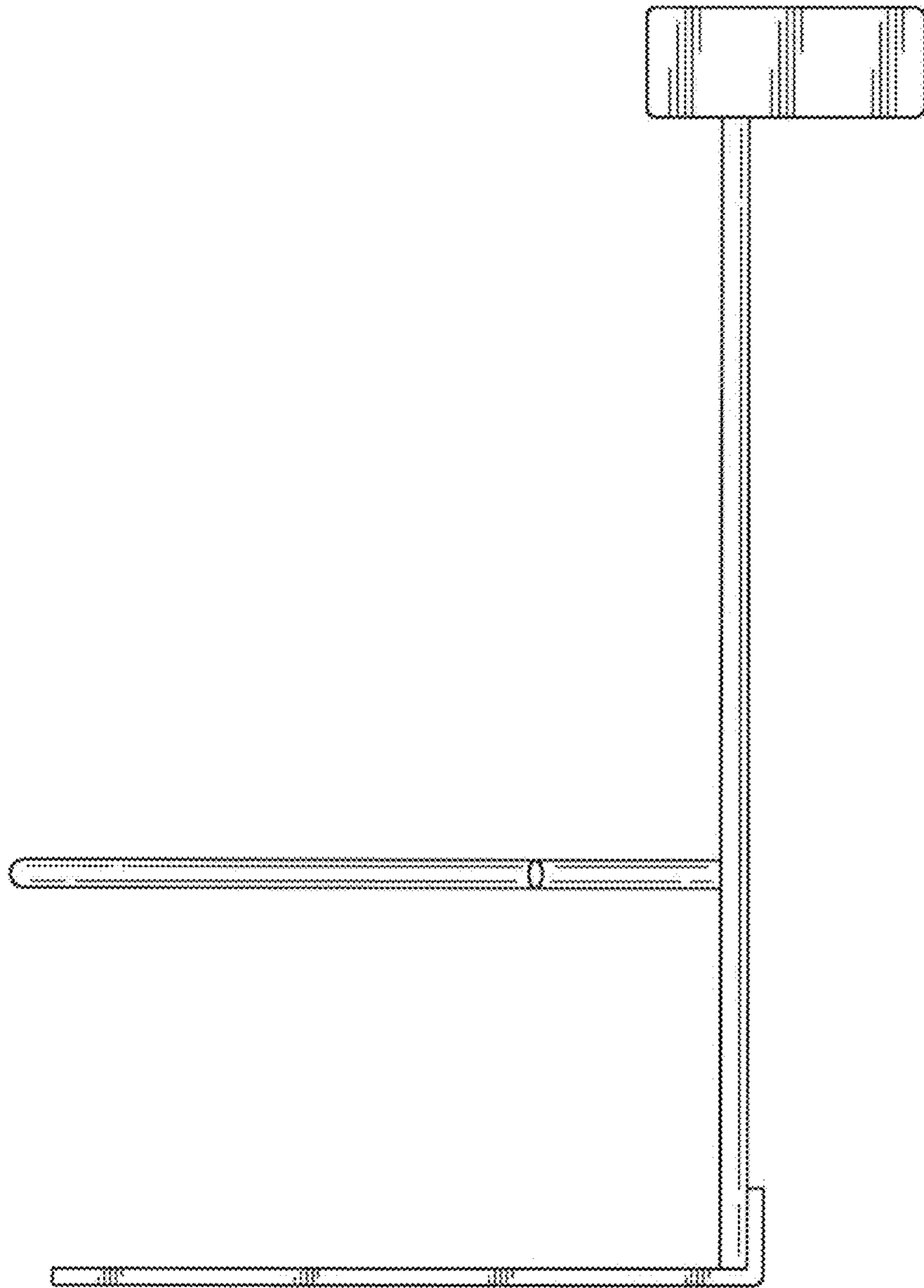


FIG. 6

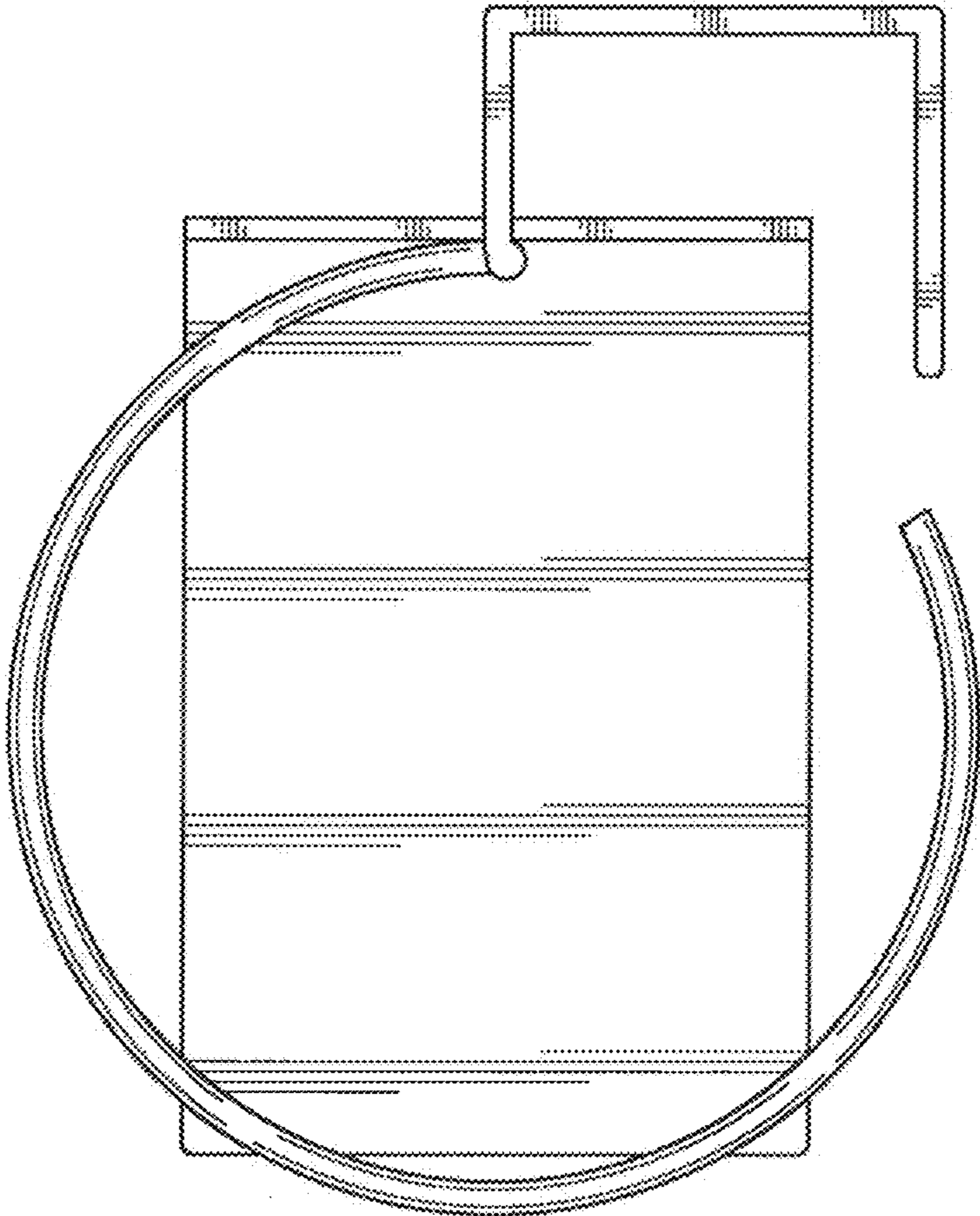


FIG. 7



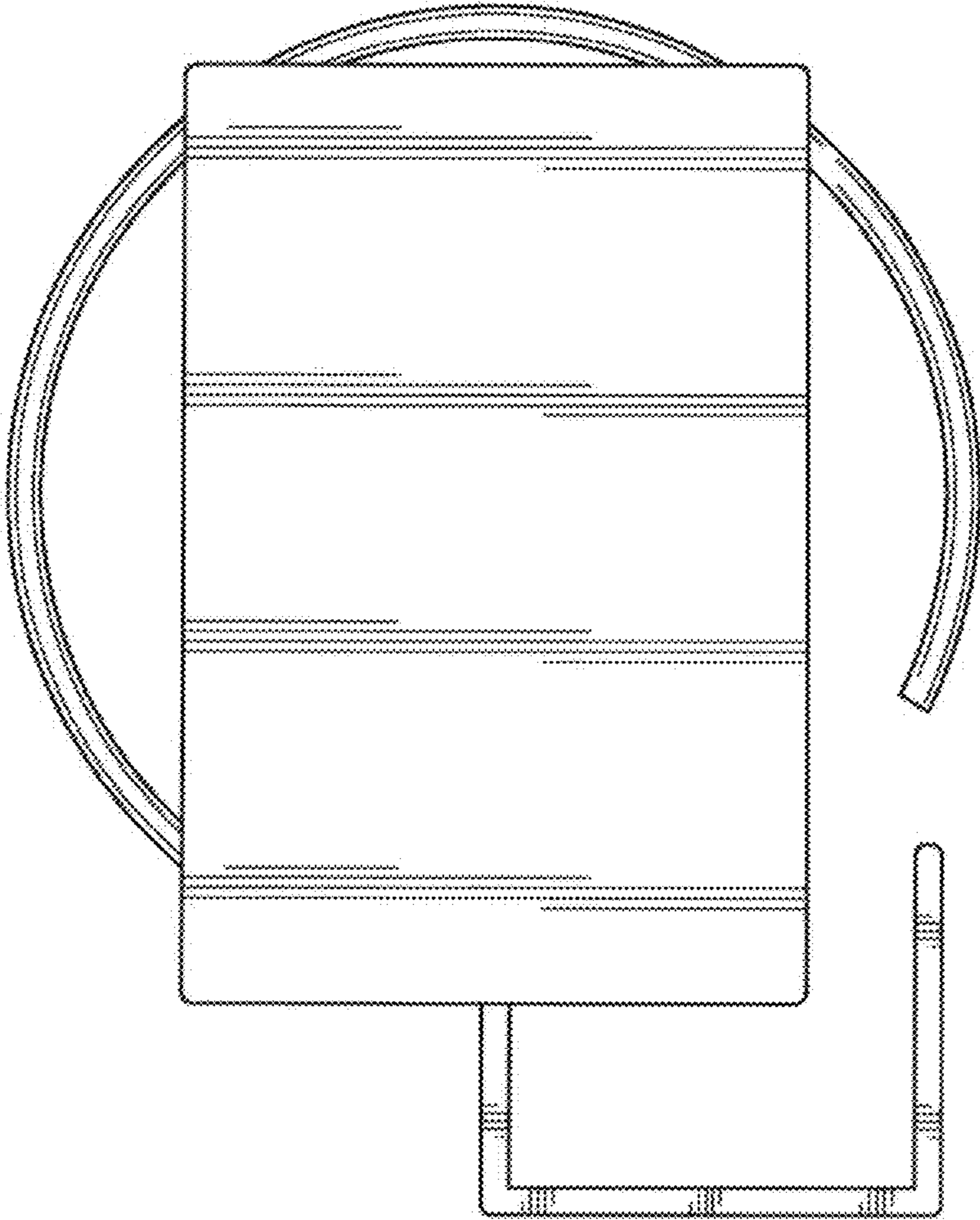


FIG. 8