



US00D810285S

(12) **United States Design Patent**
Adams

(10) **Patent No.:** **US D810,285 S**

(45) **Date of Patent:** **** Feb. 13, 2018**

- (54) **RECTANGULAR WASH BASIN**
- (71) Applicant: **GMAX Industries, Inc.**, Hauppauge, NY (US)
- (72) Inventor: **Chuck Adams**, Naperville, IL (US)
- (73) Assignee: **GMAX Industries, Inc.**, Hauppauge, NY (US)
- (**) Term: **15 Years**
- (21) Appl. No.: **29/580,217**
- (22) Filed: **Oct. 6, 2016**
- (51) **LOC (11) Cl.** **24-04**
- (52) **U.S. Cl.**
USPC **D24/123**
- (58) **Field of Classification Search**
USPC D23/284–293.1, 303, 308; D24/121–123, D24/204, 205, 224, 227; D30/161; D32/53; D3/314; D7/354, 586, 360
CPC A47K 1/04; A47B 77/06; A47J 47/20
See application file for complete search history.

- D708,018 S * 7/2014 Carlson D7/602
- D716,918 S * 11/2014 Kuch D23/284
- D717,120 S * 11/2014 Carlson D7/602
- D734,991 S * 7/2015 Carlson D7/602
- D753,992 S * 4/2016 Shiffer D9/425

OTHER PUBLICATIONS

GMAX Hospital Was Basin found online [Aug. 2, 2017]—<http://www.medequipdepot.com/products/gp41003-gmax-industries-inc-wash-basin-6-qt-rectangular-gold-50-cs-sold-as-cs.html>.*

* cited by examiner

Primary Examiner — Robert M. Spear

Assistant Examiner — John A Voytek

(74) *Attorney, Agent, or Firm* — Vinson & Elkins L.L.P.

(57) **CLAIM**

I claim the ornamental design for a rectangular wash basin, as shown and described.

DESCRIPTION

FIG. 1 is a top perspective view of my rectangular wash basin.

FIG. 2 is bottom perspective view of my rectangular wash basin.

FIG. 3 is a top plan view my rectangular wash basin.

FIG. 4 is a bottom plan view of my rectangular wash basin.

FIG. 5 is an end view of my rectangular wash basin. The opposite end is a mirror image and is not shown; and,

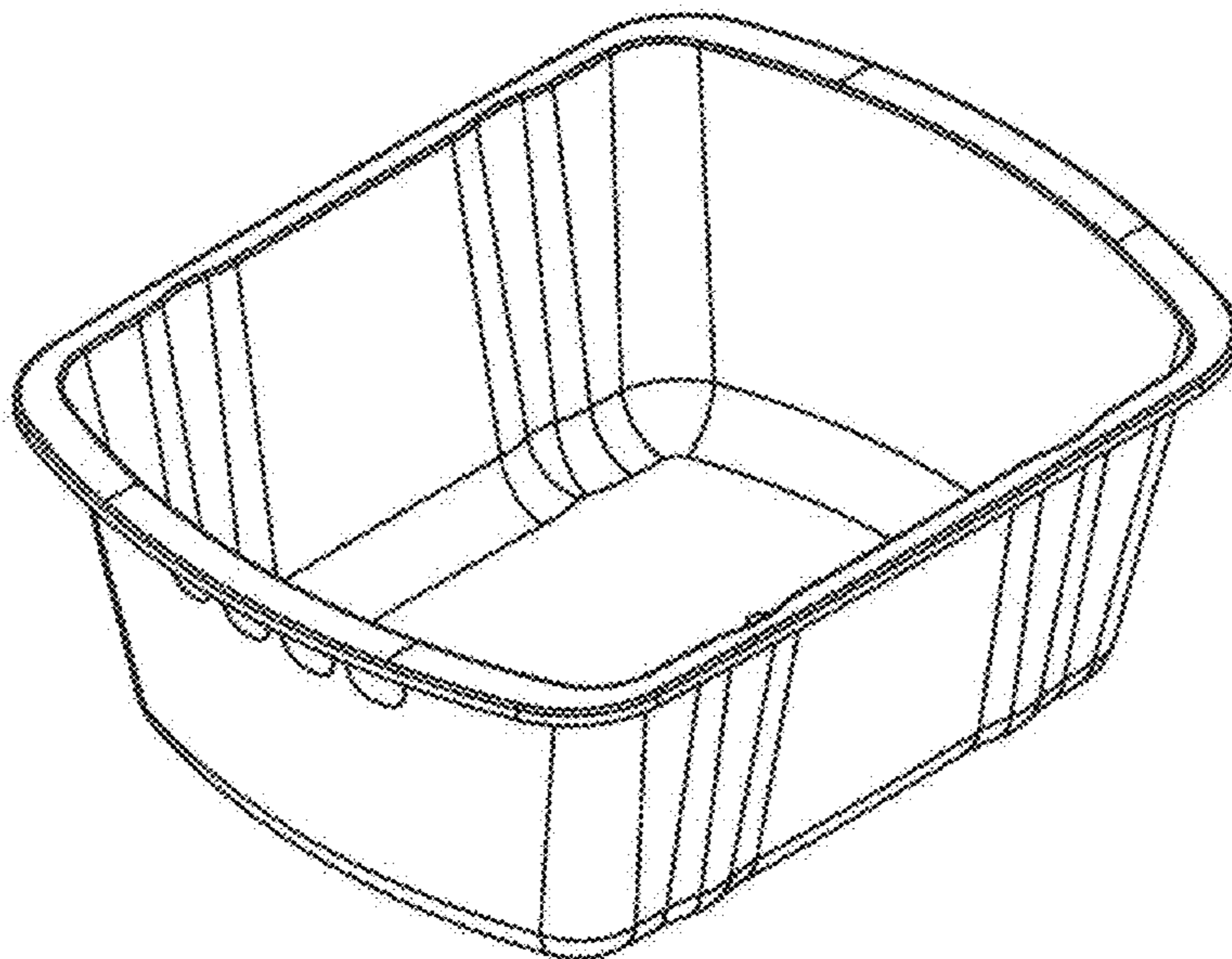
FIG. 6 is a side view of my rectangular wash basin. The opposite side is a mirror image and is not shown.

1 Claim, 6 Drawing Sheets

(56) **References Cited**

U.S. PATENT DOCUMENTS

- 2,599,727 A * 6/1952 Schmidt B65D 21/046
206/507
- 2,995,271 A * 8/1961 Frater B65D 21/045
206/507
- D547,841 S * 7/2007 Ziemann D23/293.1
- D568,989 S * 5/2008 Kammer D24/123
- D631,300 S * 1/2011 Samartgis D7/602
- D631,707 S * 2/2011 Samartgis D7/602
- D644,885 S * 9/2011 Samartgis D7/602
- D677,514 S * 3/2013 Sarnoff D7/354



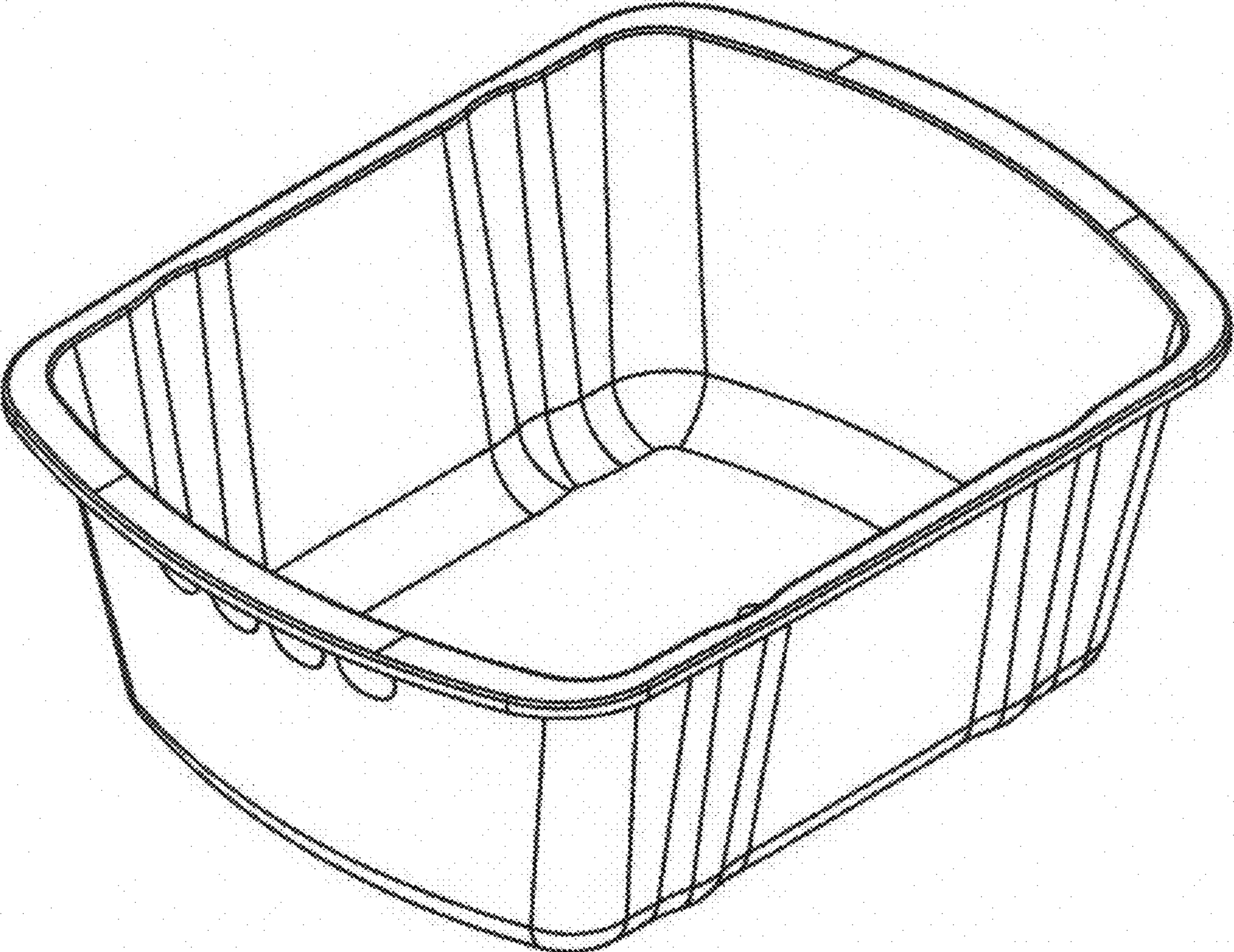


FIG. 1

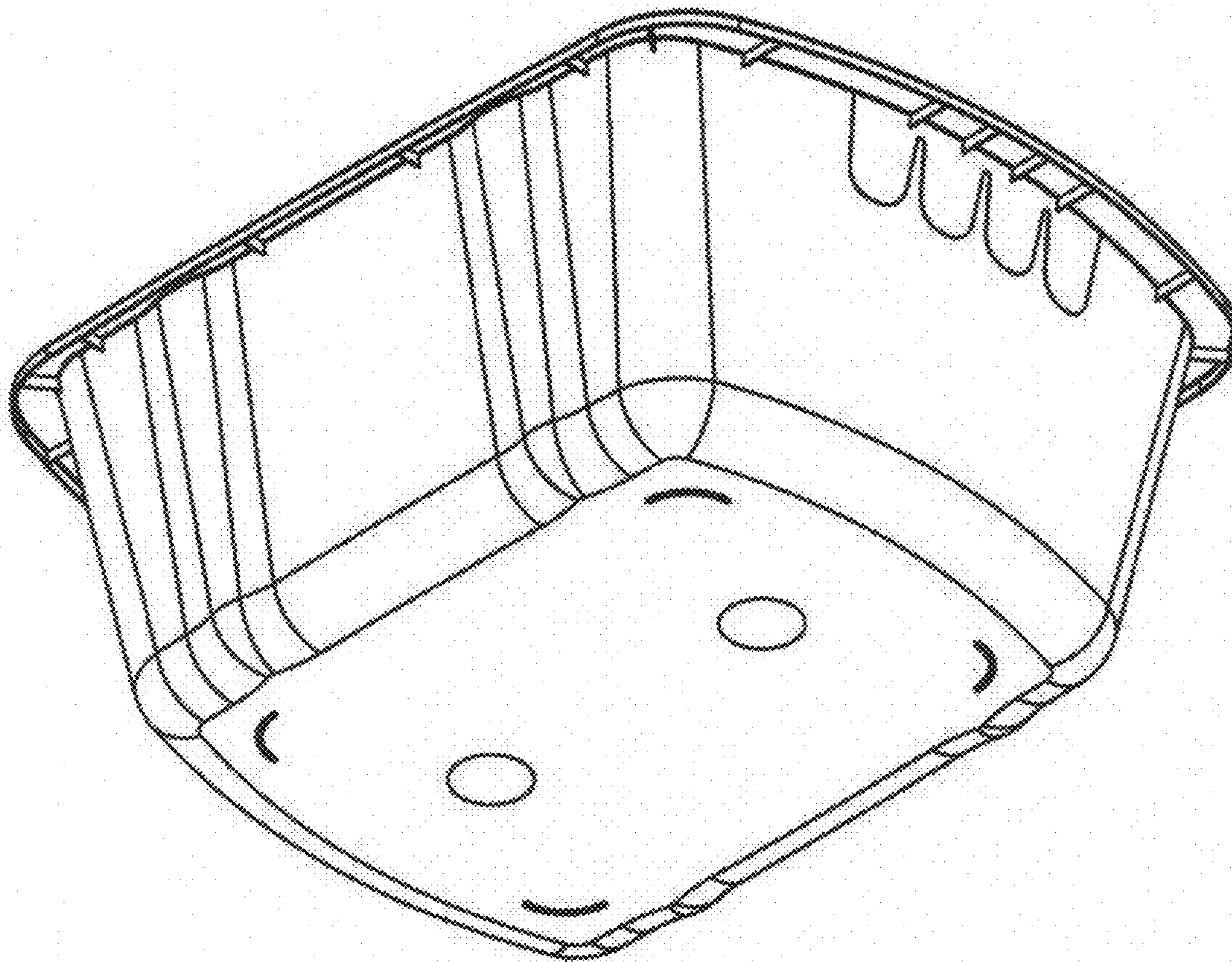


FIG. 2

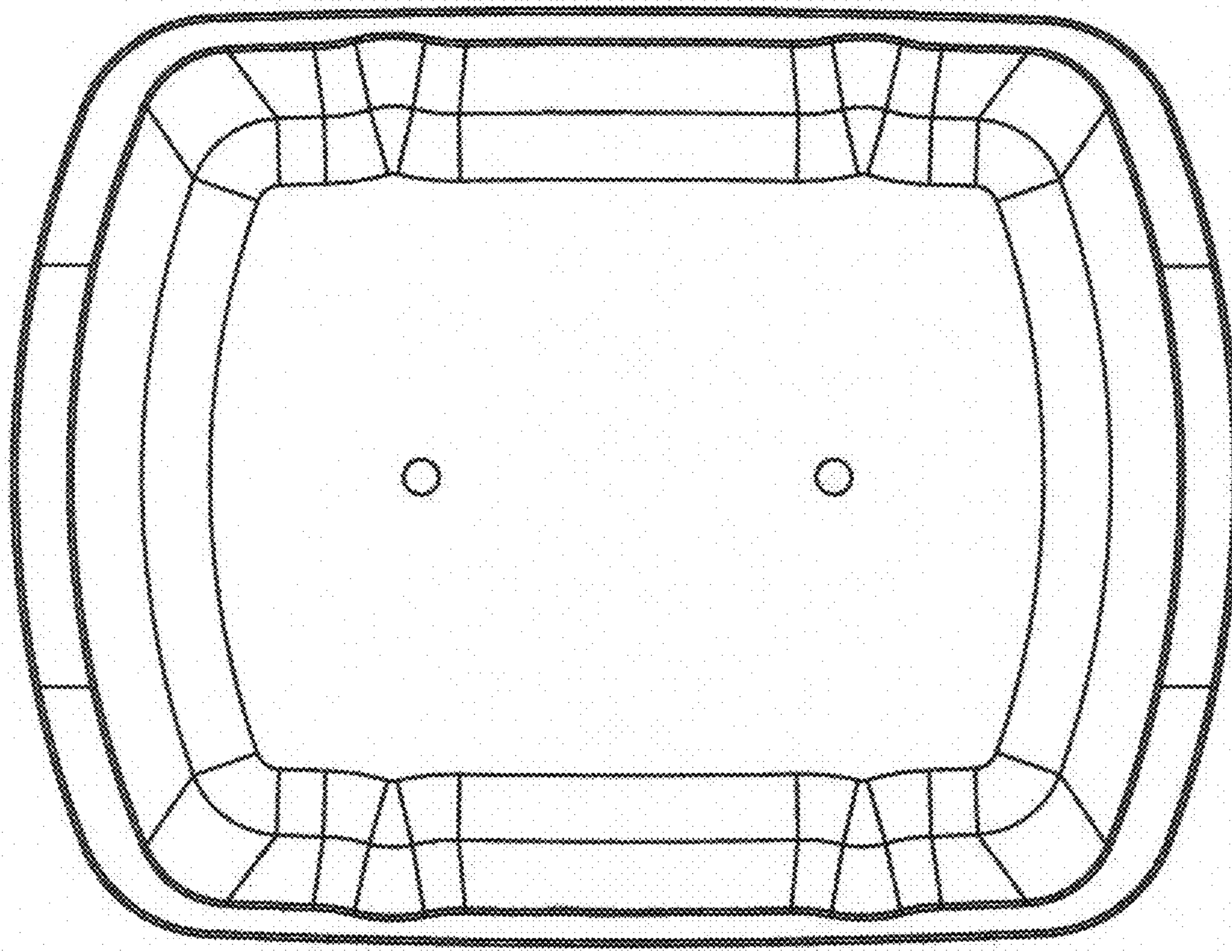


FIG. 3

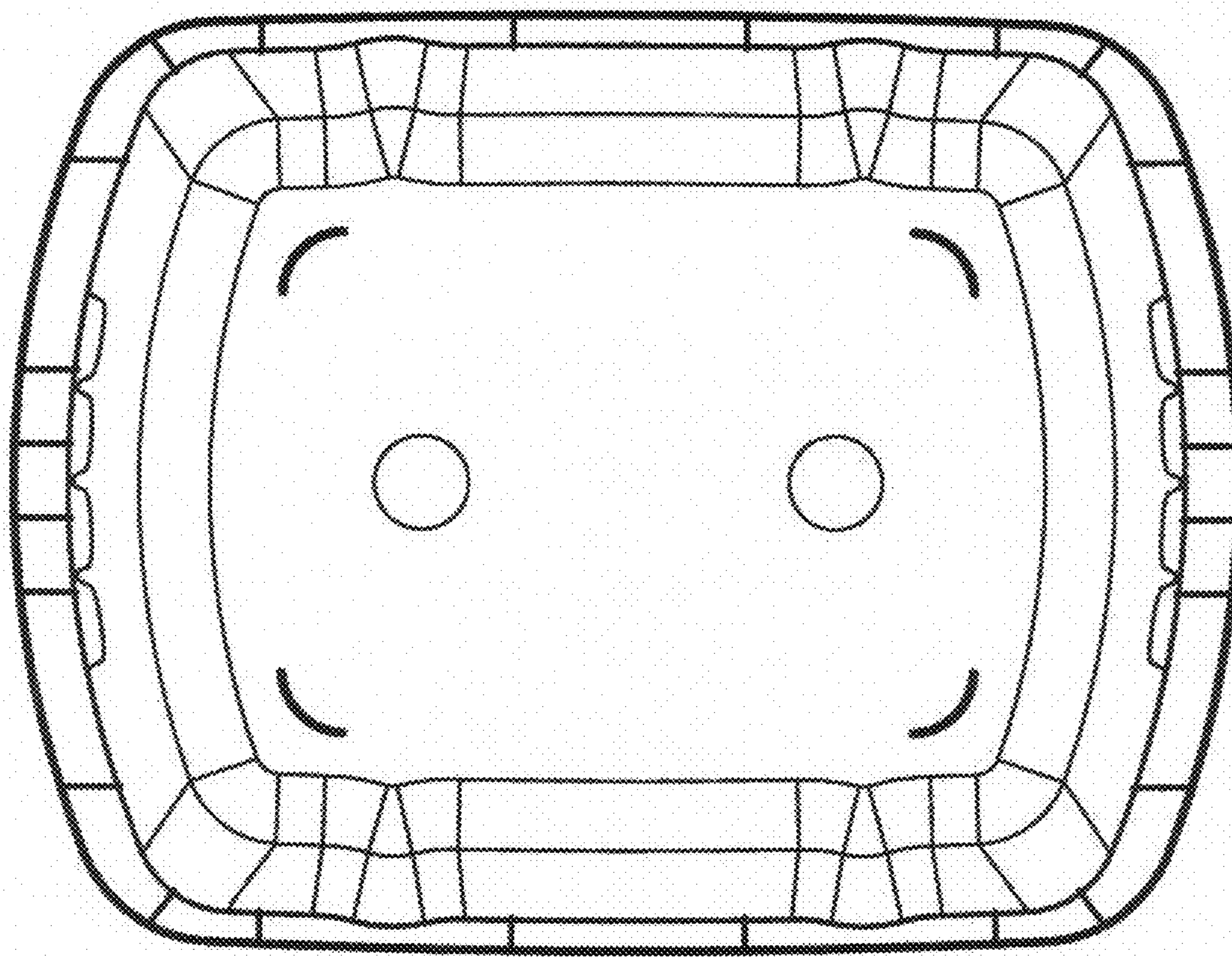


FIG. 4

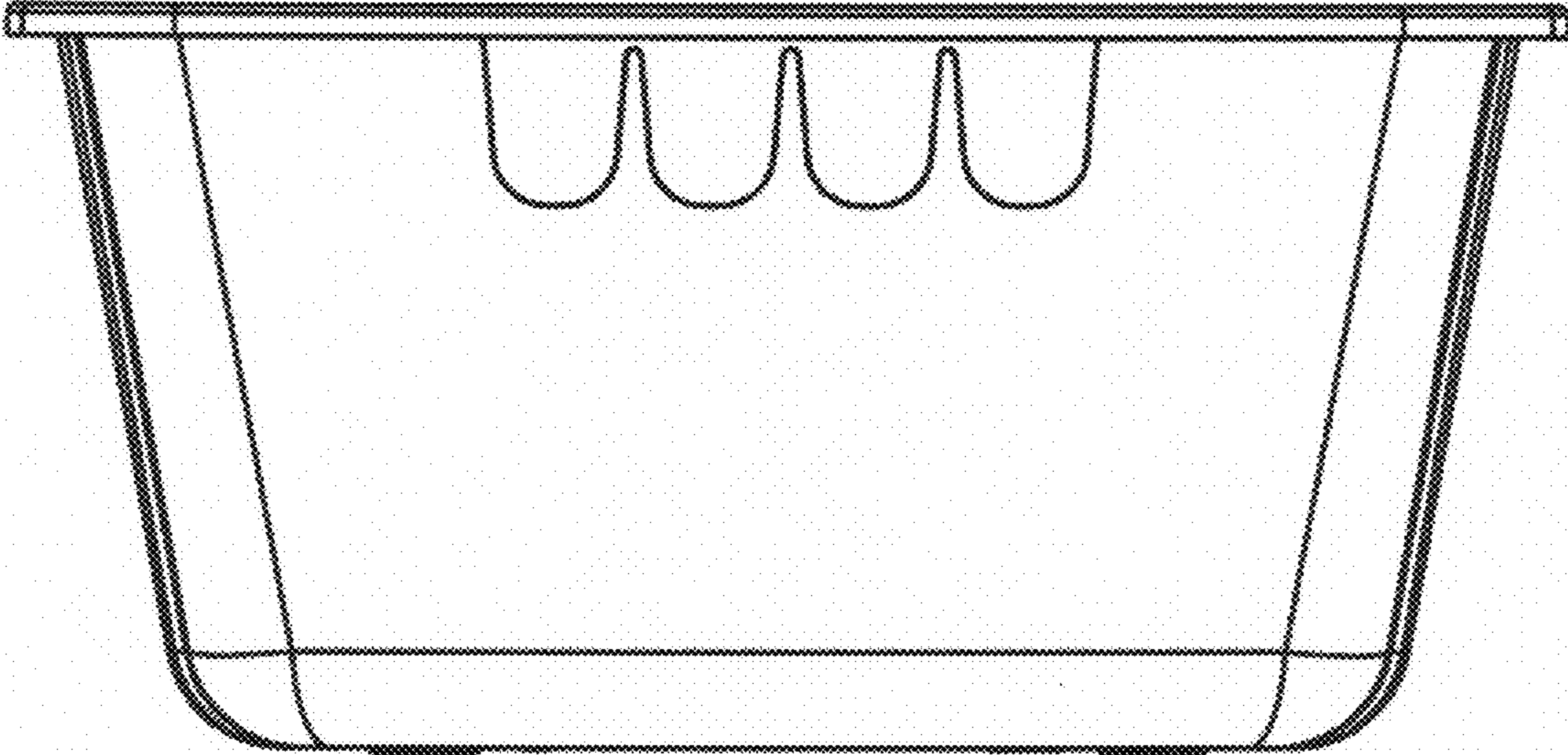


FIG. 5

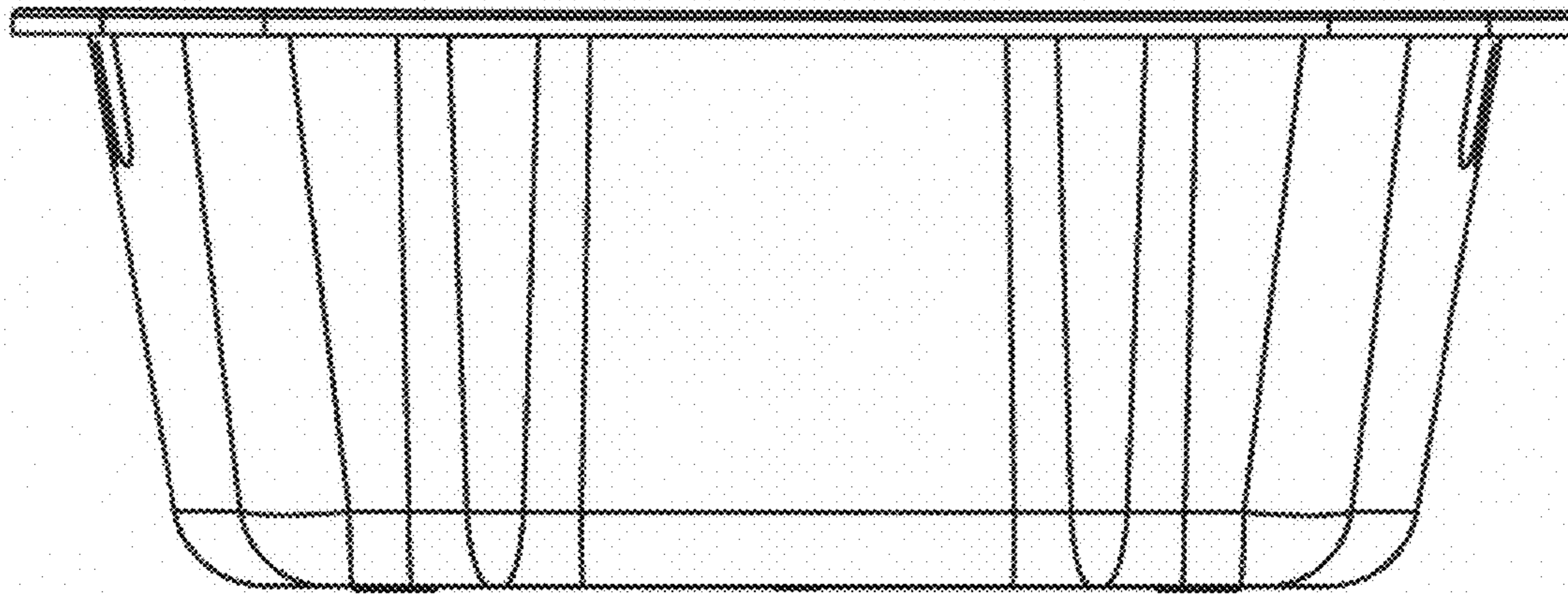


FIG. 6

UNITED STATES PATENT AND TRADEMARK OFFICE
CERTIFICATE OF CORRECTION

PATENT NO. : D810,285 S
APPLICATION NO. : 29/580217
DATED : February 13, 2018
INVENTOR(S) : Adam Edward Adams, III

Page 1 of 1

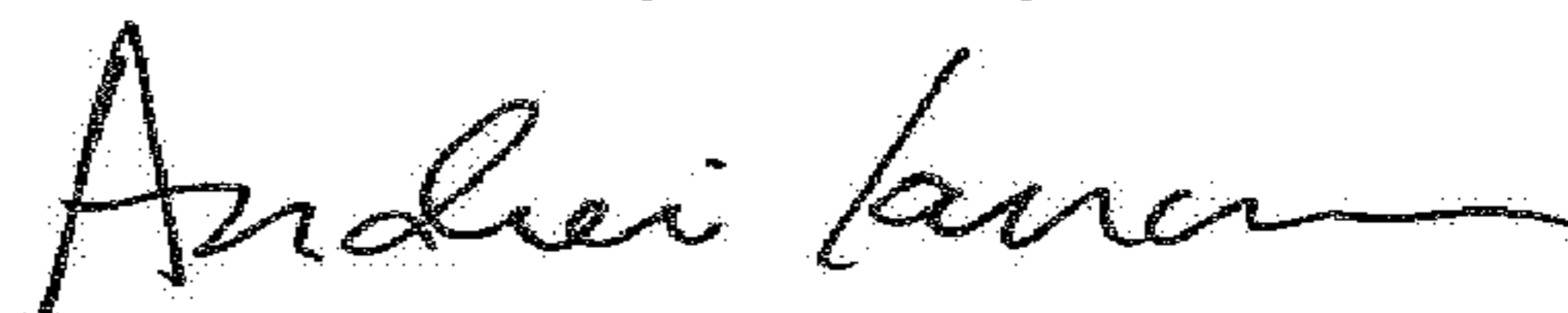
It is certified that error appears in the above-identified patent and that said Letters Patent is hereby corrected as shown below:

On the Title Page

Item (72):

Please correct the inventor name to: Adam Edward Adams III

Signed and Sealed this
First Day of May, 2018



Andrei Iancu
Director of the United States Patent and Trademark Office