



US00D810282S

(12) **United States Design Patent** (10) **Patent No.:** **US D810,282 S**  
**Ratjen** (45) **Date of Patent:** **\*\* Feb. 13, 2018**

(54) **MEDICAL INJECTOR**  
(71) Applicant: **Carebay Europe Ltd.,** Sliema (MT)  
(72) Inventor: **Jochen Ratjen,** Nacka (SE)  
(73) Assignee: **CAREBAY EUROPE LTD,** Sliema (MT)  
(\*\*) Term: **15 Years**

(21) Appl. No.: **29/561,664**

(22) Filed: **Apr. 19, 2016**

(30) **Foreign Application Priority Data**

Oct. 19, 2015 (EP) ..... 002827402

(51) **LOC (11) Cl.** ..... **24-02**

(52) **U.S. Cl.**  
USPC ..... **D24/113**

(58) **Field of Classification Search**  
USPC ..... D24/112-114, 133, 186, 127-131;  
606/181, 185; 604/264, 272, 115, 232,  
604/187, 158, 164.08, 192, 263, 163, 181,  
604/184, 198, 227; 600/101, 139, 143;  
128/200.24, 207.14, 207.15;  
D19/115-123, 177, 193  
CPC ..... A61M 5/2033; A61M 2005/206; A61M  
5/326; A61M 5/3202; A61M 2005/208  
See application file for complete search history.

(56) **References Cited**

**U.S. PATENT DOCUMENTS**

D561,894 S \* 2/2008 Hudson ..... D24/113  
D619,244 S \* 7/2010 Van der Stappen ..... D24/113  
D628,690 S \* 12/2010 Galbraith ..... D24/114  
D677,380 S \* 3/2013 Julian ..... D24/113  
D739,011 S \* 9/2015 Morrison, Jr. .... D24/114  
D758,569 S \* 6/2016 Wohlfahrt ..... D24/113

9,402,957 B2 \* 8/2016 Adams ..... A61M 5/2033  
D773,650 S \* 12/2016 Fourt ..... D24/113  
2008/0269692 A1 \* 10/2008 James ..... A61M 5/3202  
604/198  
2012/0022466 A1 \* 1/2012 James ..... A61M 5/3287  
604/198  
2015/0202380 A1 \* 7/2015 Harms ..... A61M 5/3272  
604/198  
2016/0008546 A1 \* 1/2016 Rekaya ..... A61M 5/3129  
604/506  
2016/0144132 A1 \* 5/2016 Scanlon ..... A61M 5/3204  
604/192

\* cited by examiner

*Primary Examiner* — David G Muller  
*Assistant Examiner* — Nathan M Johnston  
(74) *Attorney, Agent, or Firm* — McDonnell Boehnen  
Hulbert & Berghoff LLP

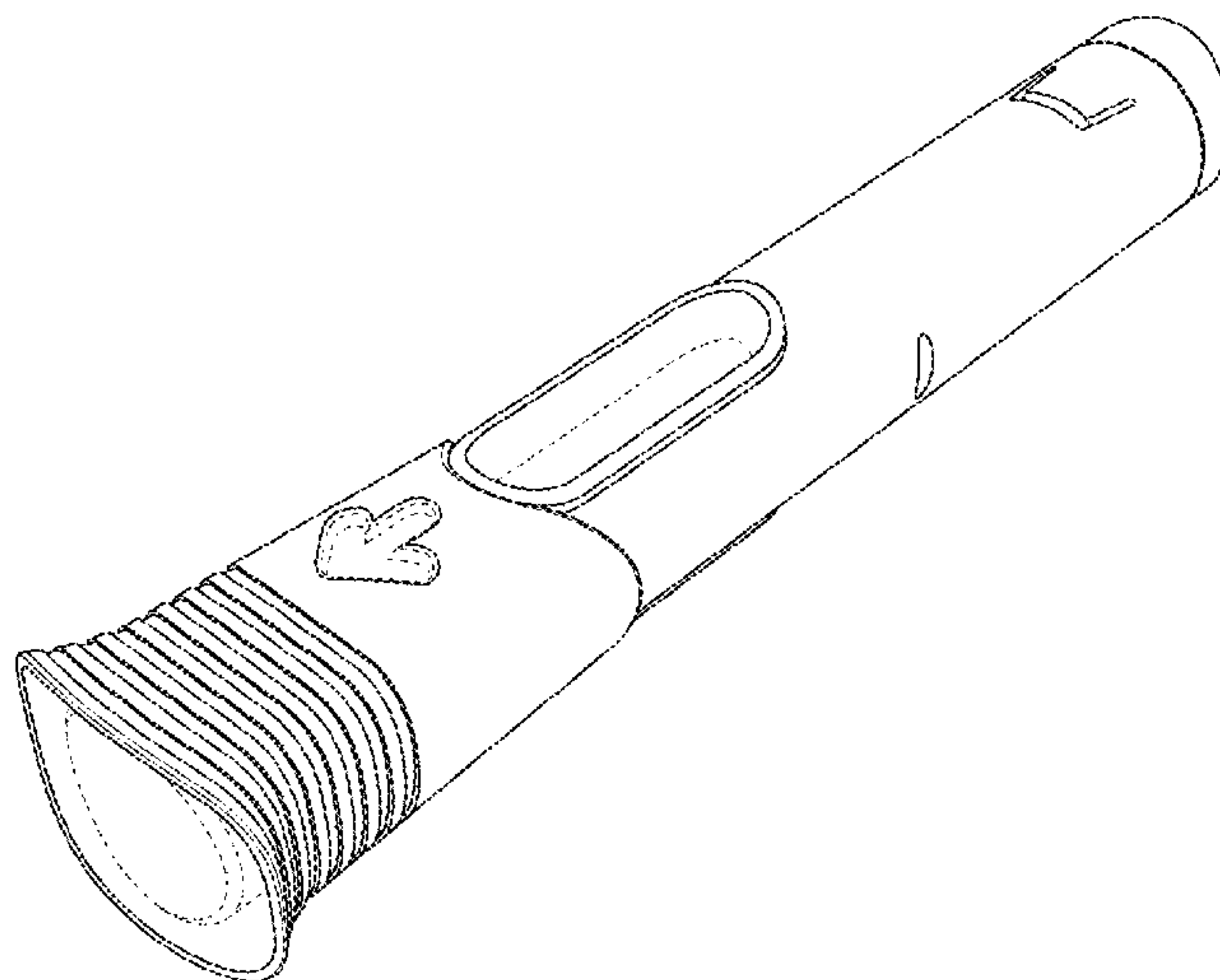
(57) **CLAIM**

The ornamental design of the medical injector, as shown and described.

**DESCRIPTION**

FIG. 1 is a perspective view of the medical injector viewed from the front left showing my new design;  
FIG. 2 is a perspective view thereof viewed from the rear left;  
FIG. 3 is a top plan view thereof;  
FIG. 4 is a left side elevation view thereof;  
FIG. 5 is a front elevation view thereof; and,  
FIG. 6 is a rear elevation view thereof, where the right side elevation view is a mirror image of the left side elevation view and the bottom plan view is a mirror image of the top plan view.  
The broken line showing is for the purpose of illustrating portions of the article and forms no part of the claimed design. The broken line which defines the bounds of the claimed invention forms no part of the claimed design.

**1 Claim, 4 Drawing Sheets**



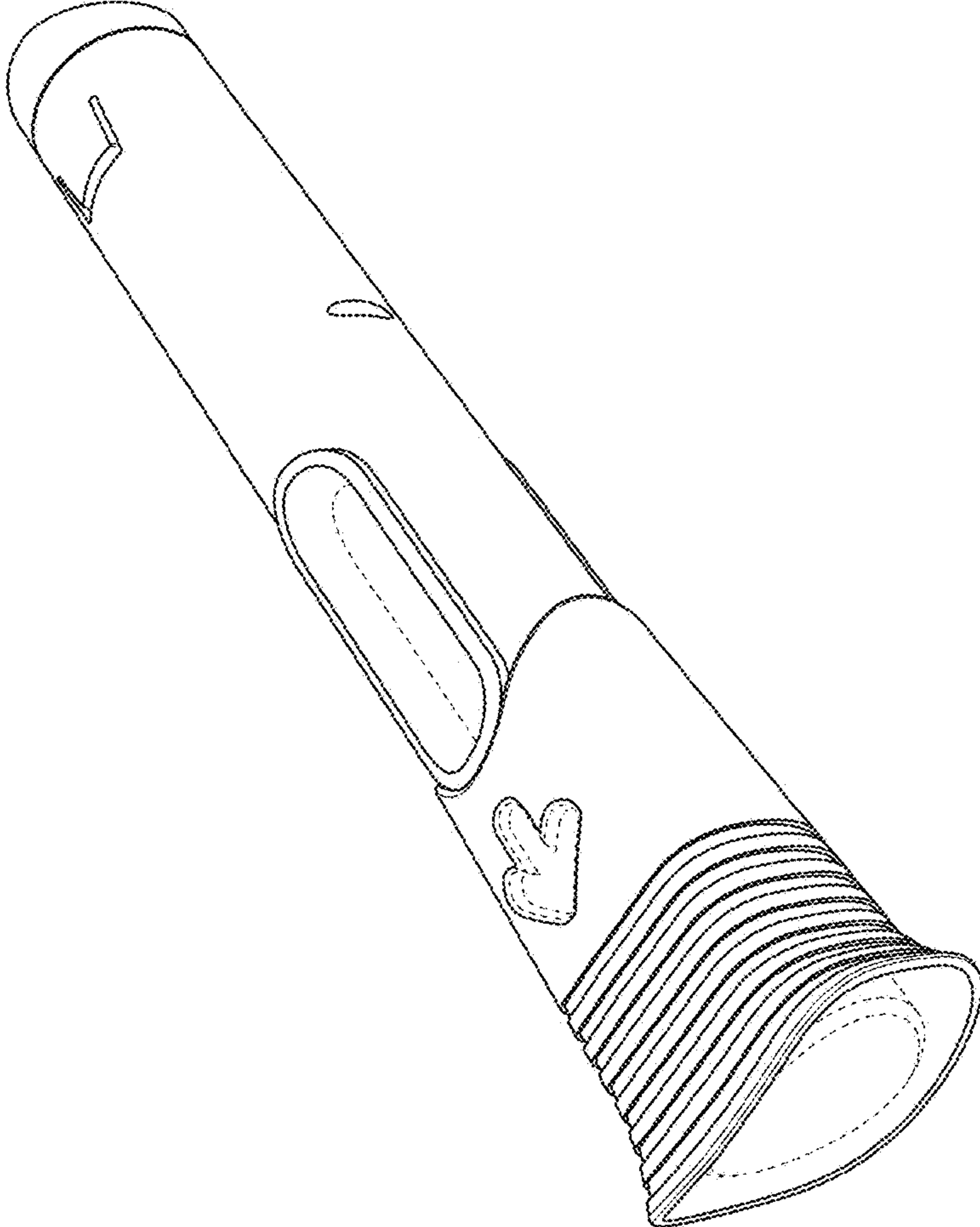


FIG. 1

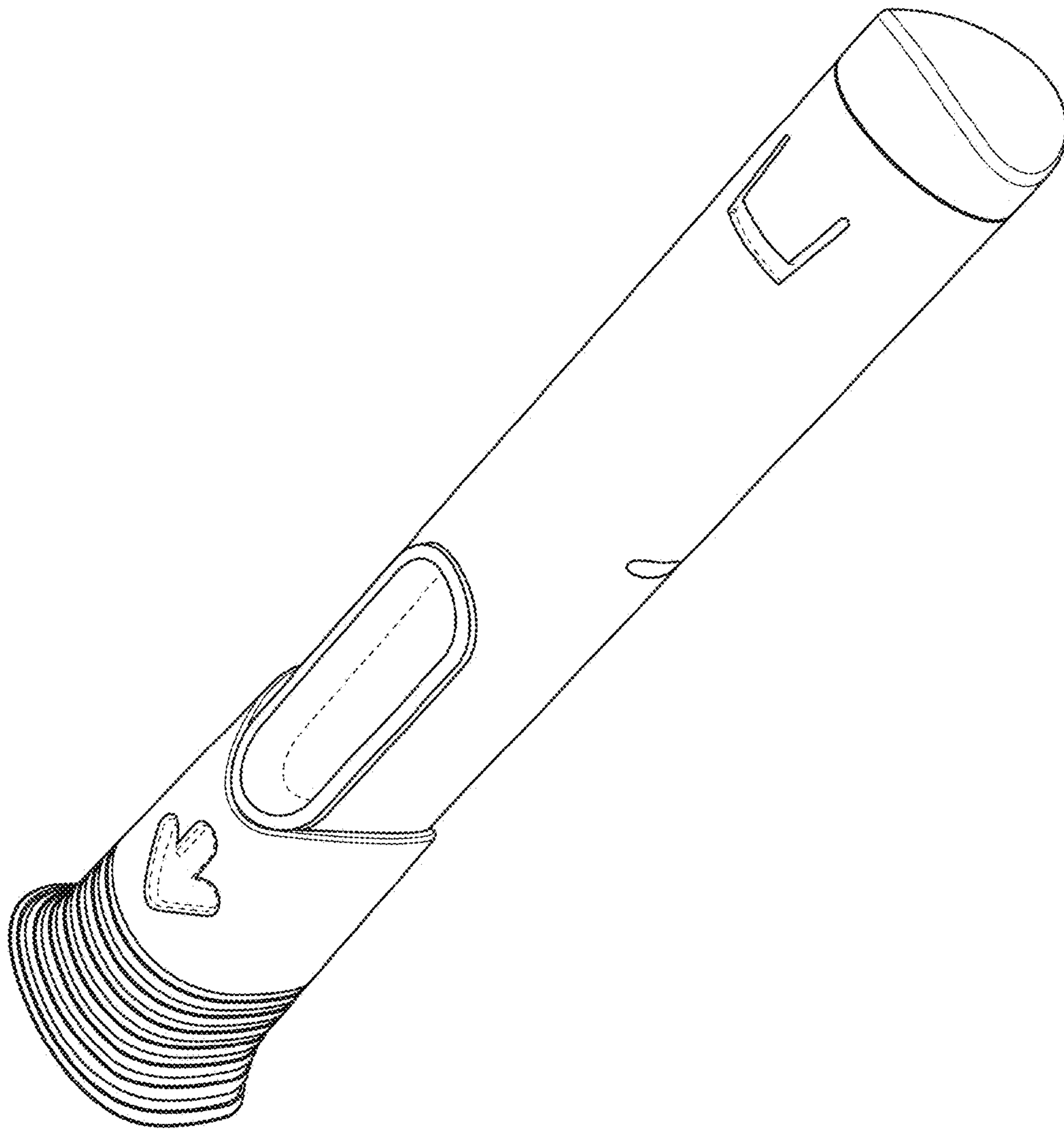


FIG. 2

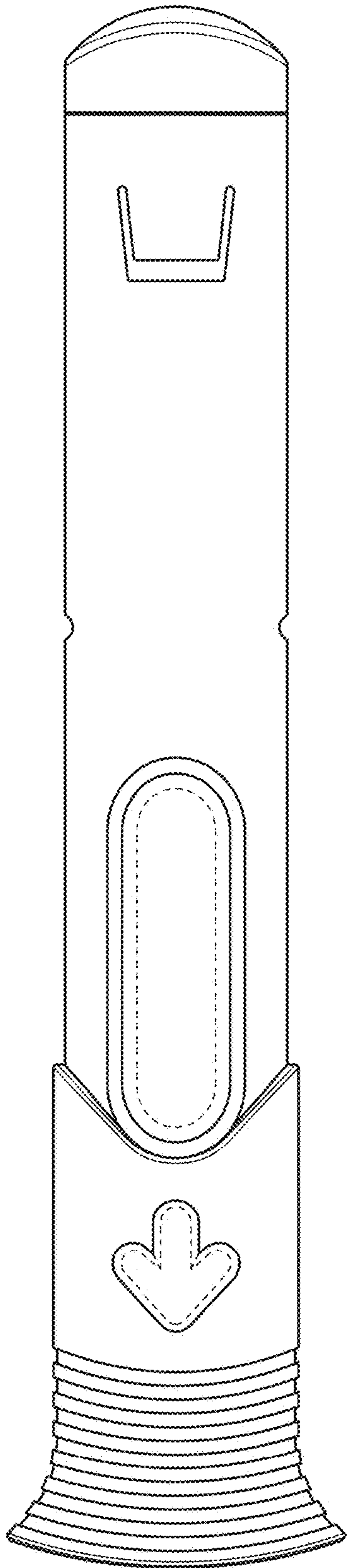


FIG. 3

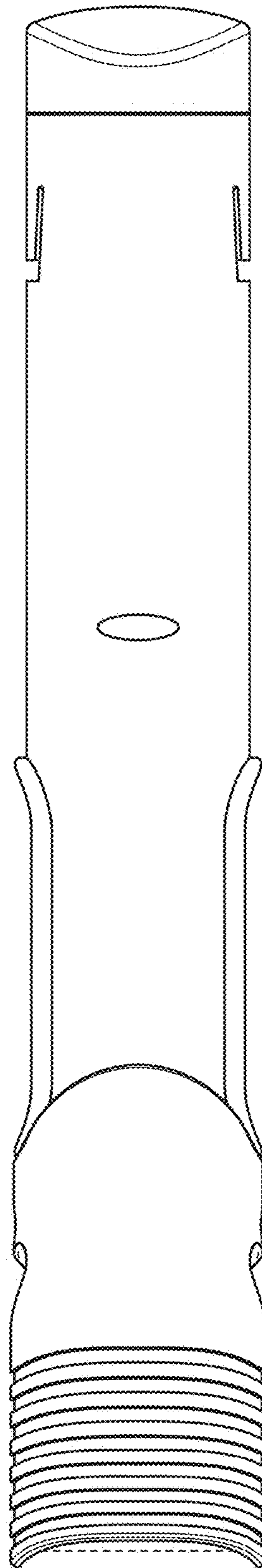


FIG. 4



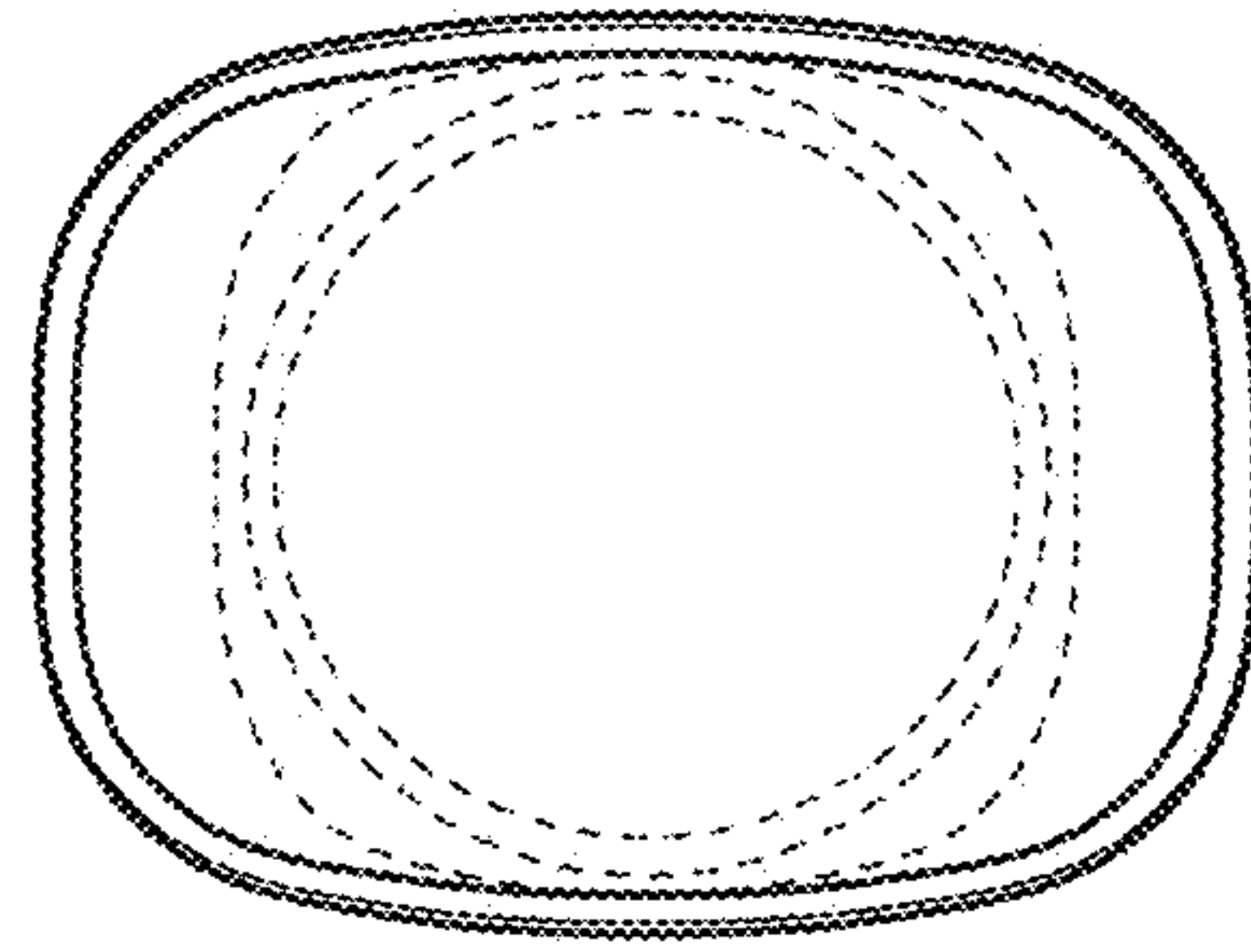


FIG. 5

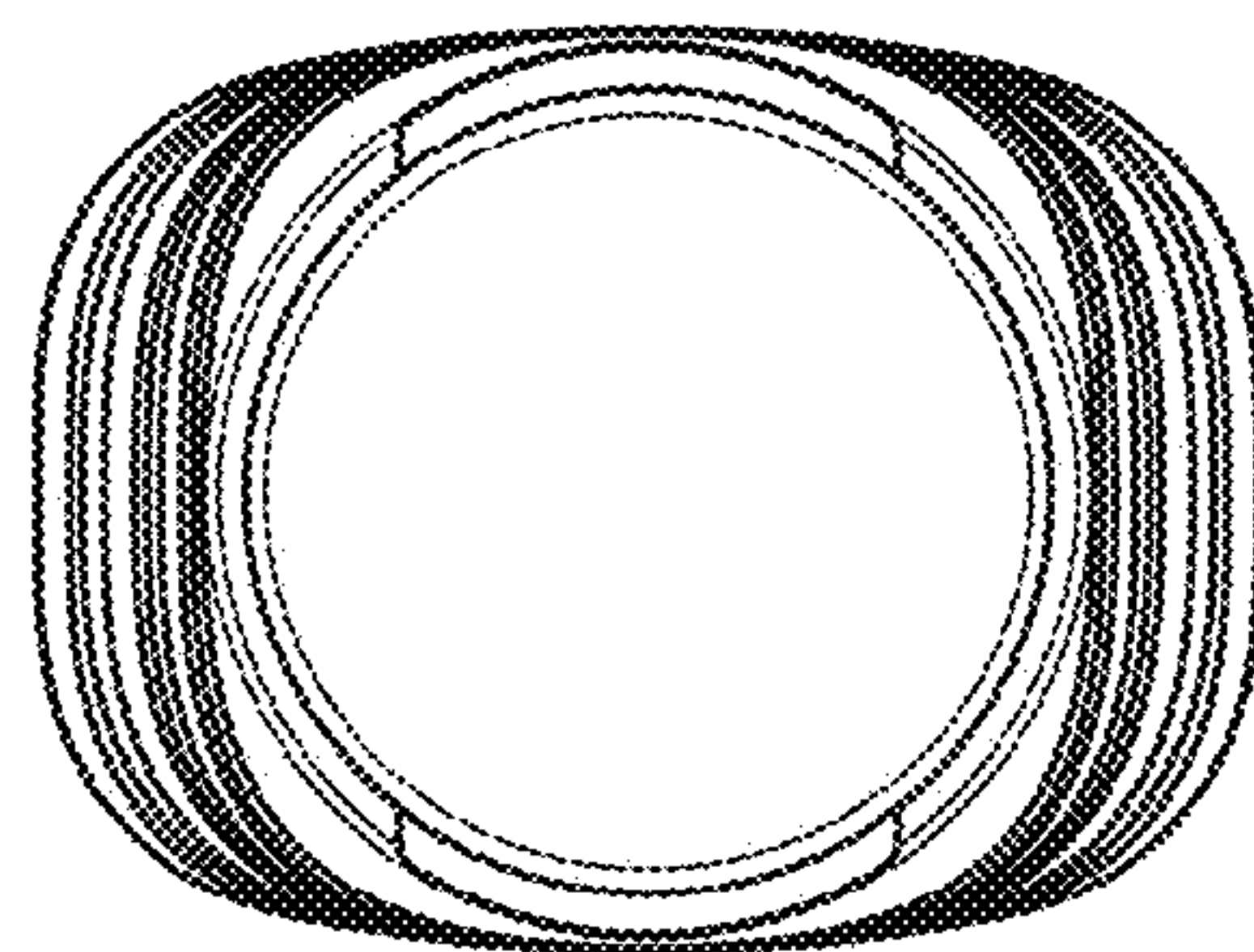


FIG. 6