



US00D810281S

(12) **United States Design Patent** (10) **Patent No.:** **US D810,281 S**
Holmqvist et al. (45) **Date of Patent:** **** Feb. 13, 2018**

- (54) **HOUSING FOR A MEDICAL INJECTOR**
- (71) Applicant: **SHL GROUP AB**, Nacka Strand (SE)
- (72) Inventors: **Anders Holmqvist**, Varmdo (SE);
Mattias Daniel, Taby (SE); **Hsueh-Yi Chen**, New Taipei (TW)
- (73) Assignee: **SHL GROUP AB**, Nacka Strand (SE)
- (**) Term: **15 Years**
- (21) Appl. No.: **29/546,587**
- (22) Filed: **Nov. 24, 2015**

8,821,451	B2 *	9/2014	Daniel	A61M 5/2033	604/137
D714,932	S *	10/2014	Hall	D24/112	
9,033,932	B2 *	5/2015	Holmqvist	A61M 5/2033	604/187
D733,869	S *	7/2015	Ratjen	D24/113	
D757,255	S *	5/2016	Wohlfahrt	D24/113	
D758,567	S *	6/2016	Wohlfahrt	D24/113	
D758,569	S *	6/2016	Wohlfahrt	D24/113	
D758,570	S *	6/2016	Wohlfahrt	D24/113	
D758,571	S *	6/2016	Geert-Jensen	D24/113	
D767,119	S *	9/2016	Hauck	D24/113	

* cited by examiner

Primary Examiner — David G Muller
(74) *Attorney, Agent, or Firm* — McDonnell Boehnen Hulbert & Berghoff LLP

Related U.S. Application Data

- (63) Continuation of application No. 14/365,635, filed on Jun. 15, 2014.
- (51) **LOC (11) Cl.** **24-02**
- (52) **U.S. Cl.**
USPC **D24/112**
- (58) **Field of Classification Search**
USPC D24/112–114, 108, 130, 127, 133, 186;
606/181, 185; 604/264, 523–528, 272,
604/164.11, 187, 93.01; 600/101, 139,
600/143; 128/200.24, 207.14, 207.15
CPC A61M 5/178; A61M 3/00; A61M 5/20;
A61M 5/31; A61M 5/3146; A61M 5/3129
See application file for complete search history.

(57) **CLAIM**

The ornamental housing for a housing of a medical injector, as shown and described.

DESCRIPTION

FIG. 1 shows a perspective view of the housing viewed from the front and left of and above the medical injector with a cap portion of the housing removed from a proximal portion of the housing;

FIG. 2 shows a front end view of the housing;

FIG. 3 shows a rear end view of the housing;

FIG. 4 shows a left side view of the housing;

FIG. 5 shows a right side view of the housing;

FIG. 6 shows a bottom view of the housing; and,

FIG. 7 shows a top view of the housing.

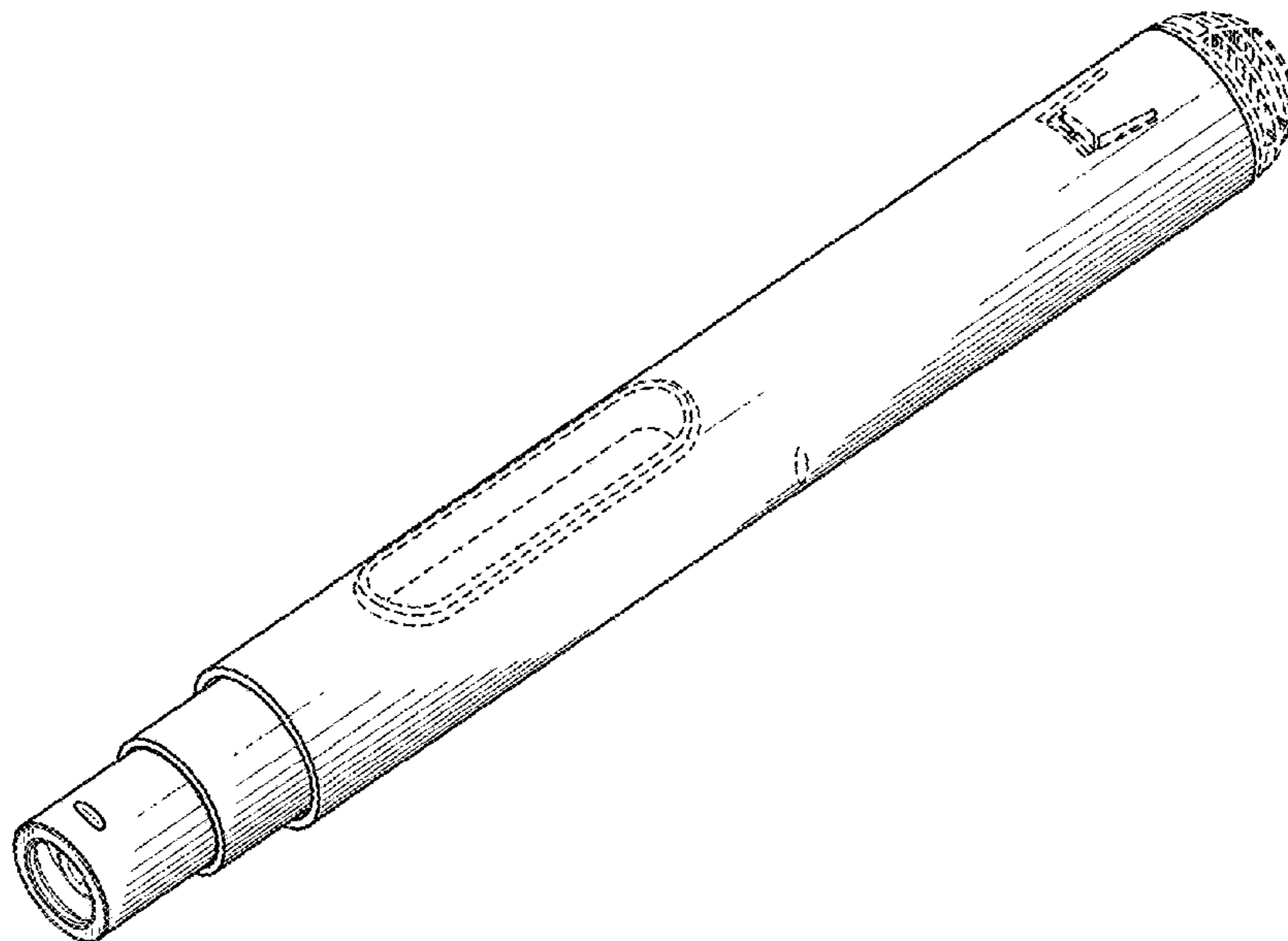
The broken line showing is for the purpose of illustrating portions of the article and forms no part of the claimed design. The broken line which defines the bounds of the claimed invention forms no part of the claimed design.

(56) **References Cited**

U.S. PATENT DOCUMENTS

7,488,297	B2 *	2/2009	Flaherty	A61M 5/1407	600/498
D619,244	S *	7/2010	Van der Stappen	D24/113	
D708,317	S *	7/2014	Schneider	D24/113	

1 Claim, 3 Drawing Sheets



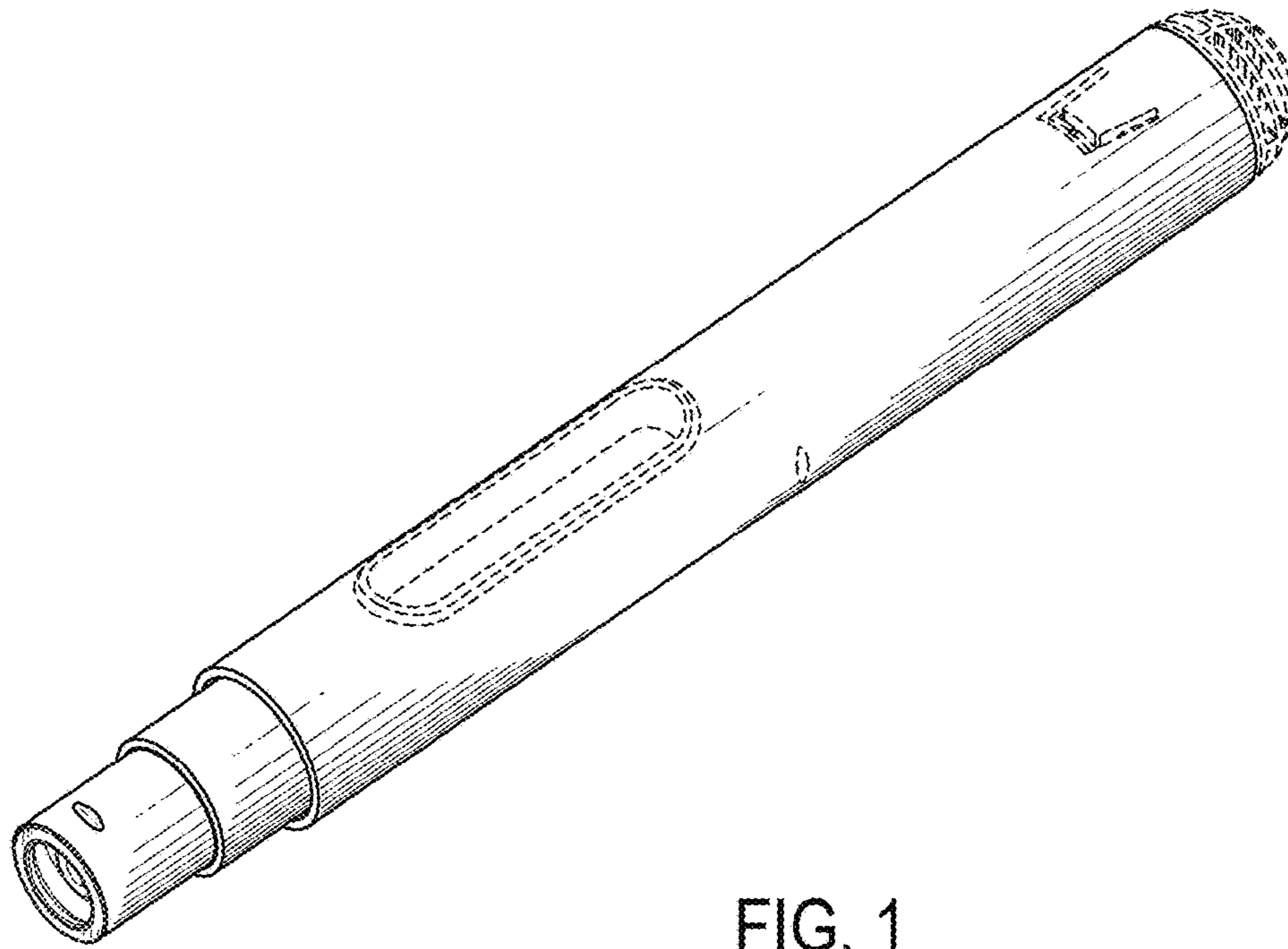


FIG. 1

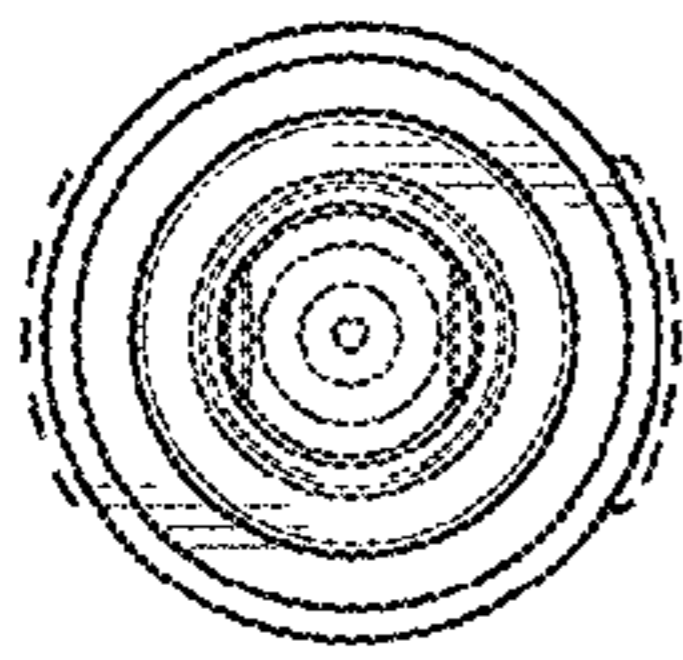


FIG. 2

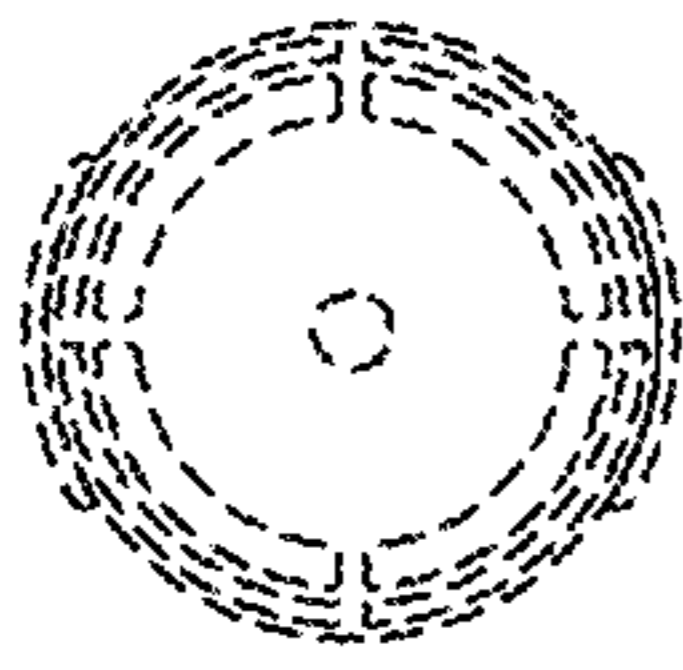


FIG. 3

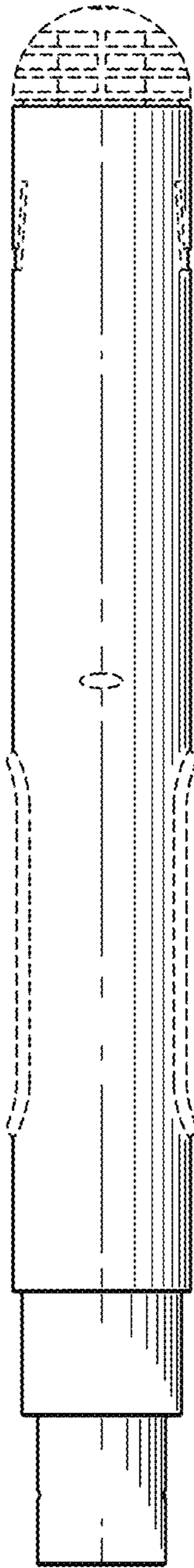


FIG. 4

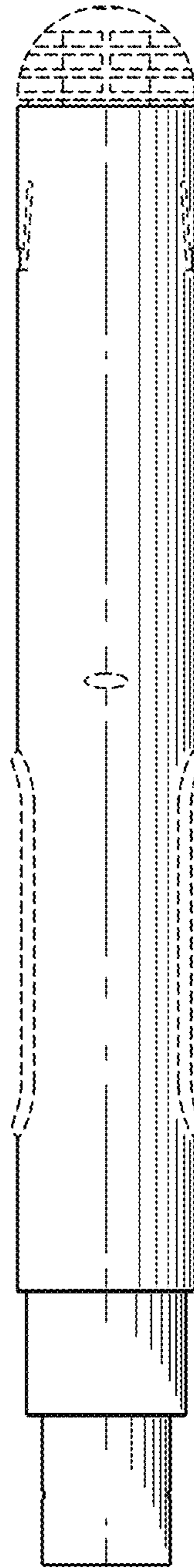


FIG. 5

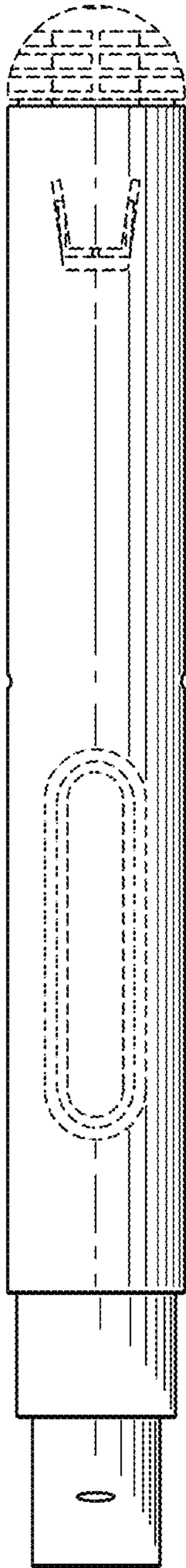


FIG. 6

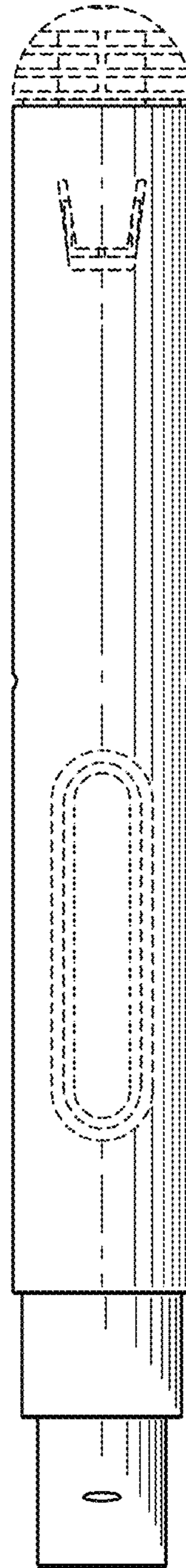


FIG. 7