



US00D810280S

(12) **United States Design Patent** (10) **Patent No.:** **US D810,280 S**  
**Tharp et al.** (45) **Date of Patent:** **\*\* Feb. 13, 2018**

(54) **DRUG APPLICATOR WITH MASSAGE HEAD AND CHARGING STATION**

(71) Applicant: **Follica, Inc.**, Boston, MA (US)

(72) Inventors: **David C. Tharp**, Boston, MA (US);  
**Scott Kellogg**, Mattapoisett, MA (US);  
**Daniel DeRuntz**, Somerville, MA (US);  
**Jason Robinson**, Tewksbury, MA (US);  
**Greg Wolos**, Cambridge, MA (US);  
**Alex Staudt**, Cambridge, MA (US)

(73) Assignee: **FOLLICA, INC.**, Boston, MA (US)

(\*\*) Term: **15 Years**

(21) Appl. No.: **29/540,708**

(22) Filed: **Sep. 27, 2015**

(51) **LOC (11) Cl.** ..... **24-02**

(52) **U.S. Cl.**  
USPC ..... **D24/112**

(58) **Field of Classification Search**  
USPC ..... D24/112-114, 200, 108, 133, 130, 127,  
D24/186; 606/181, 185; 604/264, 272,  
604/187, 181, 184, 227

(Continued)

(56) **References Cited**

U.S. PATENT DOCUMENTS  
4,858,600 A 8/1989 Gross et al.  
D331,288 S \* 11/1992 Yuen ..... D24/200  
(Continued)

*Primary Examiner* — David G Muller

(74) *Attorney, Agent, or Firm* — Jones Day

(57) **CLAIM**

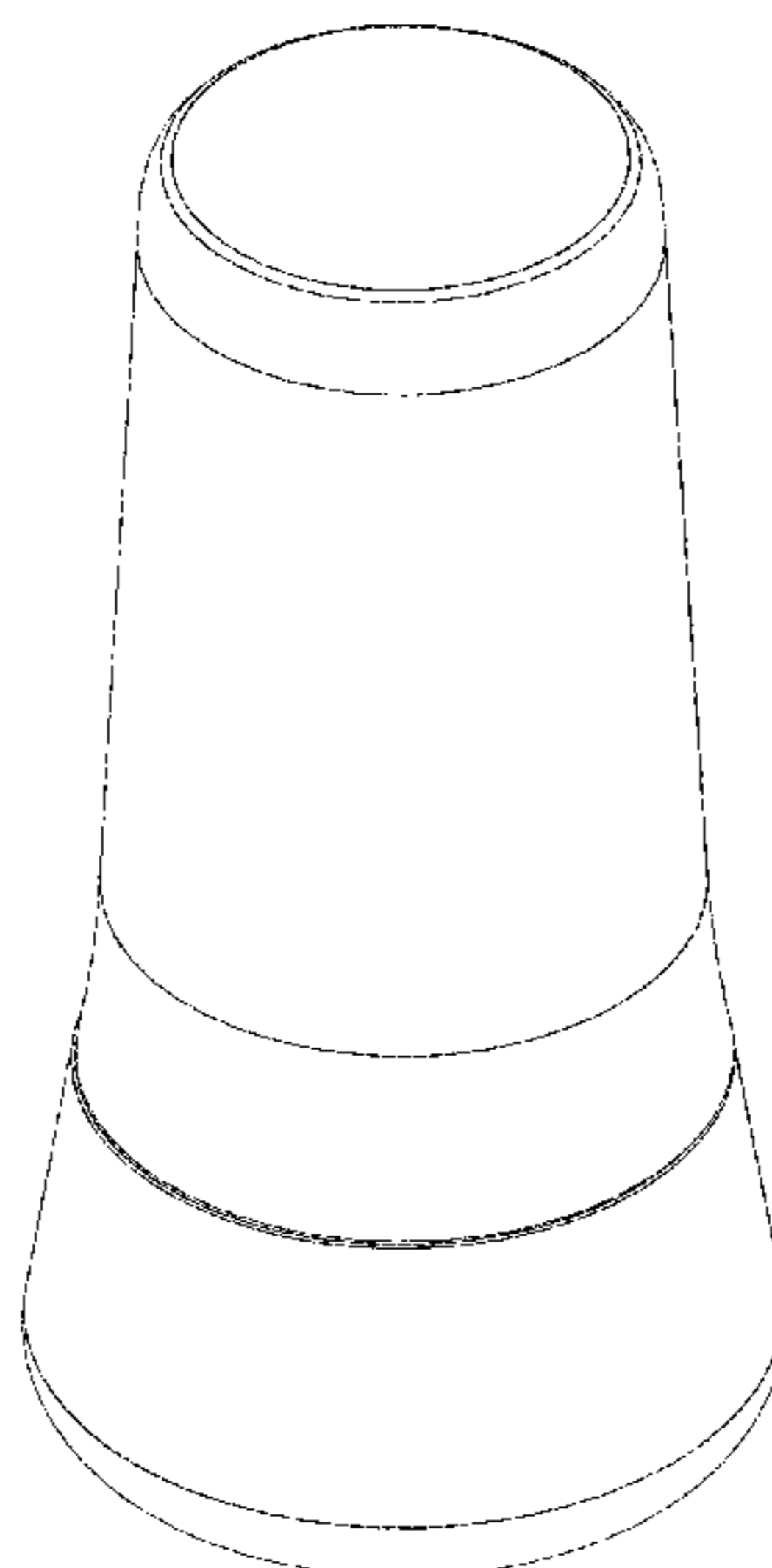
The ornamental design for a drug applicator with massage head and charging station, as shown and described.

**DESCRIPTION**

FIG. 1 is a right side perspective view of a drug applicator with a massage head and a charging station in accordance with the present design in a fully assembled state;

FIG. 2 is a left side perspective view thereof;  
FIG. 3 is a right side elevation view thereof;  
FIG. 4 is a left side elevation view thereof;  
FIG. 5 is a top side elevation view thereof;  
FIG. 6 is a bottom side elevation view thereof;  
FIG. 7 is a top end elevation thereof;  
FIG. 8 is a bottom end elevation view thereof;  
FIG. 9 is a right side perspective view of the drug applicator with the massage head in accordance with the present design in a partially assembled state without the charging station;  
FIG. 10 is a left side perspective view thereof;  
FIG. 11 is a right side elevation view thereof;  
FIG. 12 is a left side elevation view thereof;  
FIG. 13 is a top side elevation view thereof;  
FIG. 14 is a bottom side elevation view thereof;  
FIG. 15 is a top end elevation view thereof;  
FIG. 16 is a bottom end elevation view thereof;  
FIG. 17 is a right side perspective view of the charging station of the drug applicator in accordance with the present design without the drug applicator and the massage head;  
FIG. 18 is a left side perspective view thereof;  
FIG. 19 is a right side elevation view thereof;  
FIG. 20 is a left side elevation view thereof;  
FIG. 21 is a top side elevation view thereof;  
FIG. 22 is a bottom side elevation view thereof;  
FIG. 23 is a top end elevation view thereof;  
FIG. 24 is a bottom end elevation view thereof;  
FIG. 25 is a right side perspective view of the massage head of the drug applicator in accordance with the present design without the drug applicator and the charging station;  
FIG. 26 is a left side perspective view thereof;  
FIG. 27 is a right side elevation view thereof;  
FIG. 28 is a left side elevation view thereof;  
FIG. 29 is a top side elevation view thereof;  
FIG. 30 is a bottom side elevation view thereof;  
FIG. 31 is a top end elevation view thereof; and,  
FIG. 32 is a bottom end elevation view thereof.

**1 Claim, 12 Drawing Sheets**



(58) **Field of Classification Search**  
 CPC ..... A61M 5/178; A61M 3/00; A61M 5/20;  
                   A61M 5/31; A61M 5/3146; A61M  
                   5/3129; A61M 5/3148; A61M 5/315  
 See application file for complete search history.

7,354,423 B2 4/2008 Zelickson et al.  
 7,427,169 B2 9/2008 Ma et al.  
 D601,803 S 10/2009 Reishus et al.  
 7,597,106 B2 10/2009 Desmond et al.  
 D636,089 S \* 4/2011 Yoo ..... D24/200  
 D648,435 S \* 11/2011 Brodbeck ..... D24/146  
 8,052,662 B2 11/2011 Zelickson et al.  
 8,454,534 B2 \* 6/2013 Russomano ..... A61B 5/1411

(56) **References Cited**

U.S. PATENT DOCUMENTS

D342,319 S \* 12/1993 Cheng ..... D24/200  
 D344,137 S \* 2/1994 Yoo ..... D24/200  
 D366,703 S \* 1/1996 Huen ..... D13/108  
 6,260,557 B1 7/2001 Yarbrough  
 6,539,949 B2 4/2003 Christensen  
 6,645,184 B1 11/2003 Zelickson et al.  
 6,662,811 B2 12/2003 Mugge et al.  
 D495,050 S \* 8/2004 Guala ..... D24/108  
 D510,440 S \* 10/2005 Huang ..... D24/200

D712,543 S \* 9/2014 Maier ..... D24/186  
 9,005,173 B2 4/2015 Zelickson et al.  
 D745,153 S \* 12/2015 Dowdell ..... D24/108  
 D747,458 S \* 1/2016 Sonderegger ..... D24/108  
 D752,237 S \* 3/2016 Cole ..... D24/200  
 2005/0092340 A1 5/2005 Rijskamp  
 2008/0161737 A1 7/2008 Hilditch  
 2008/0210251 A1 9/2008 Dalianis et al.  
 2009/0050169 A1 2/2009 Ma et al.  
 2009/0293897 A1 12/2009 Ma et al.

\* cited by examiner

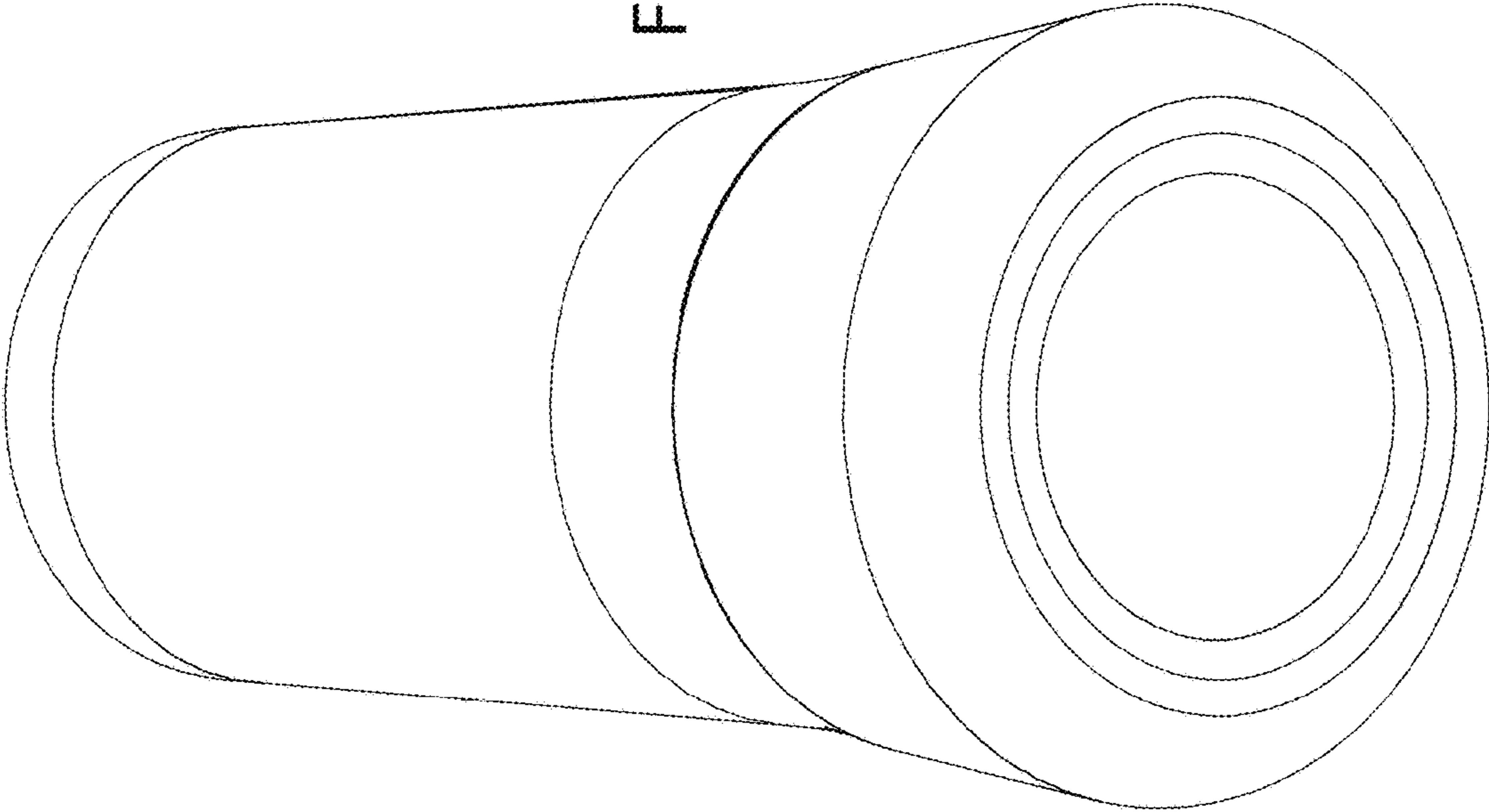


Fig. 2

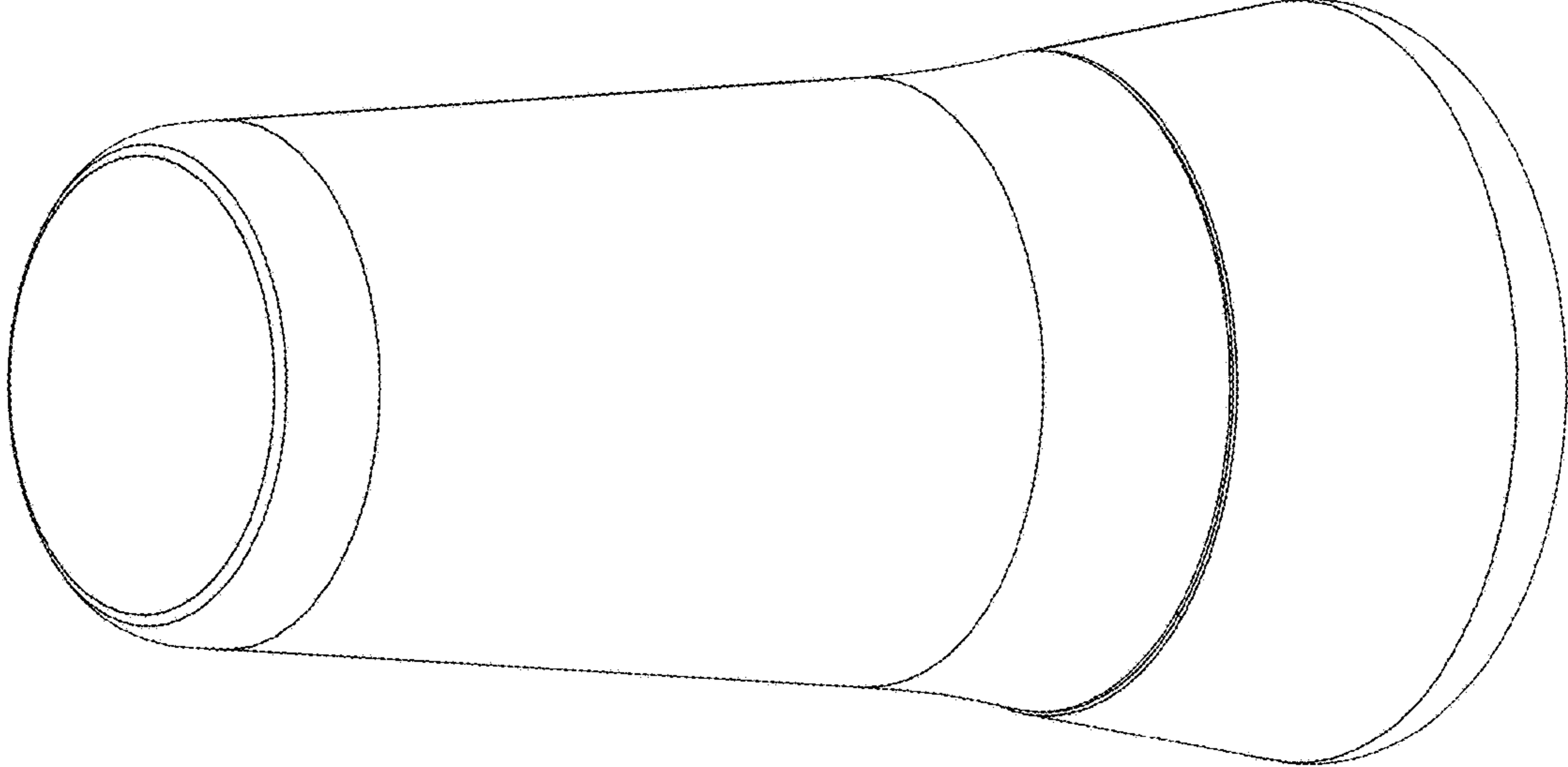


Fig. 1

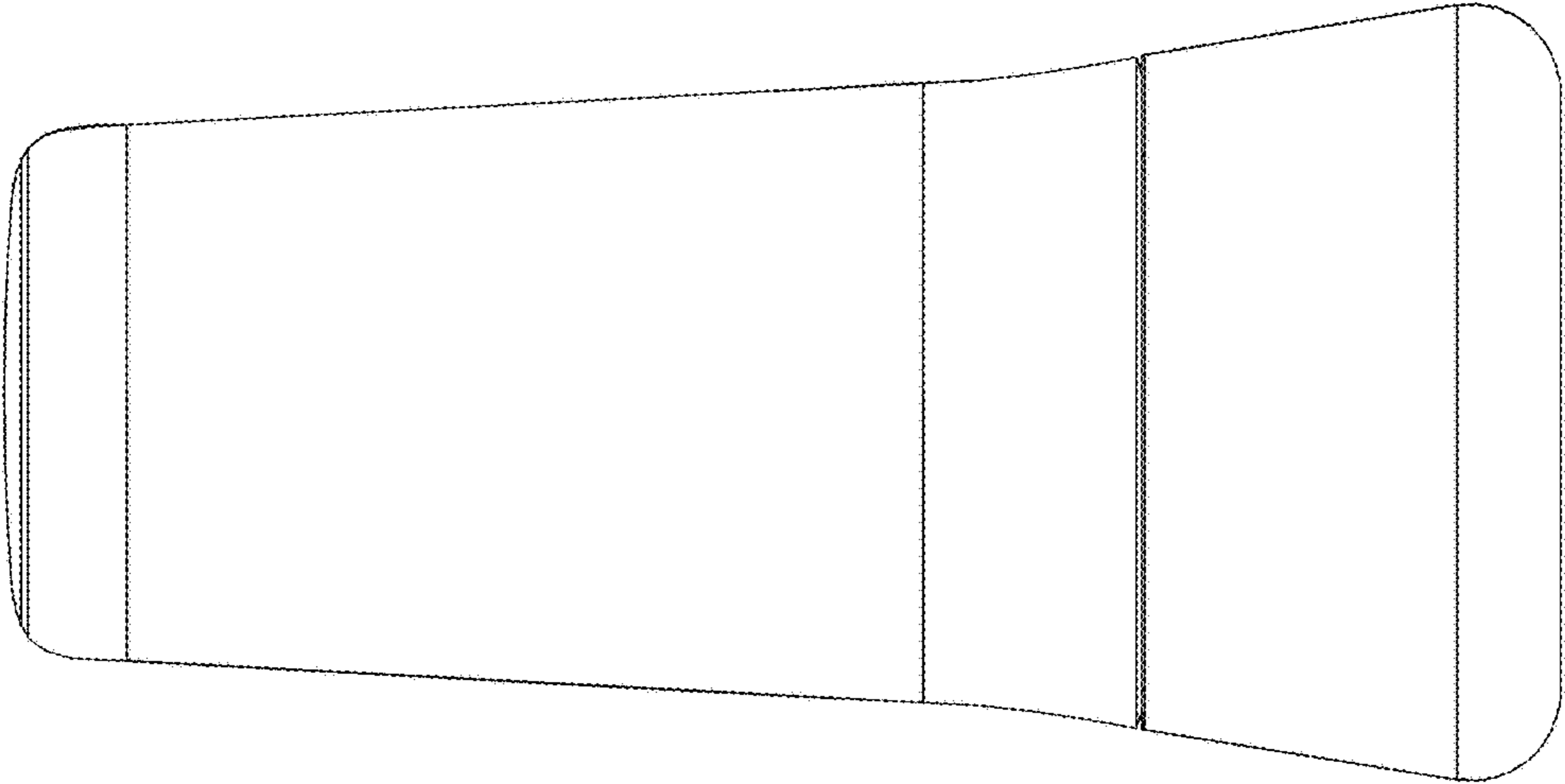


Fig. 3

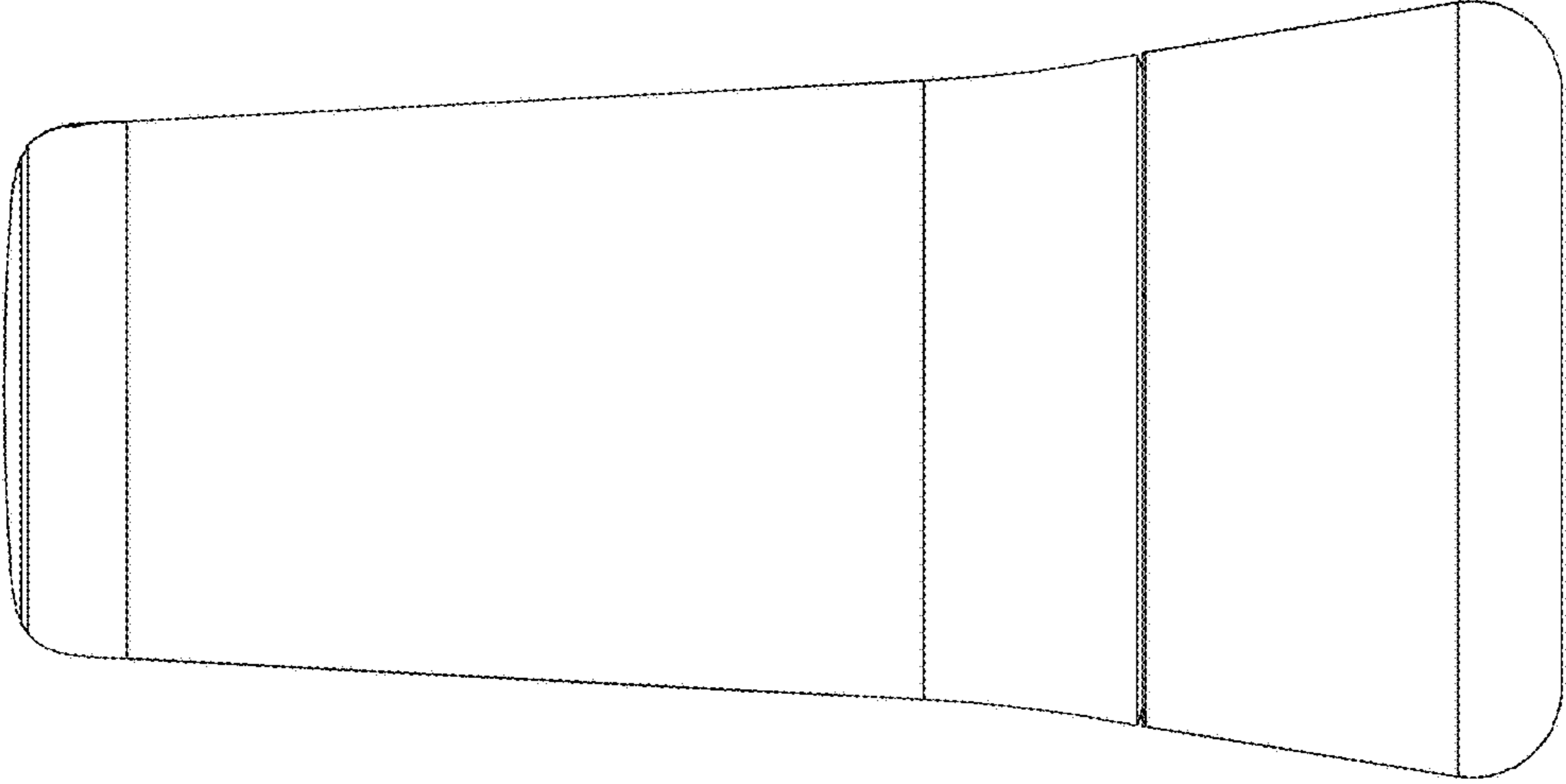


Fig. 4

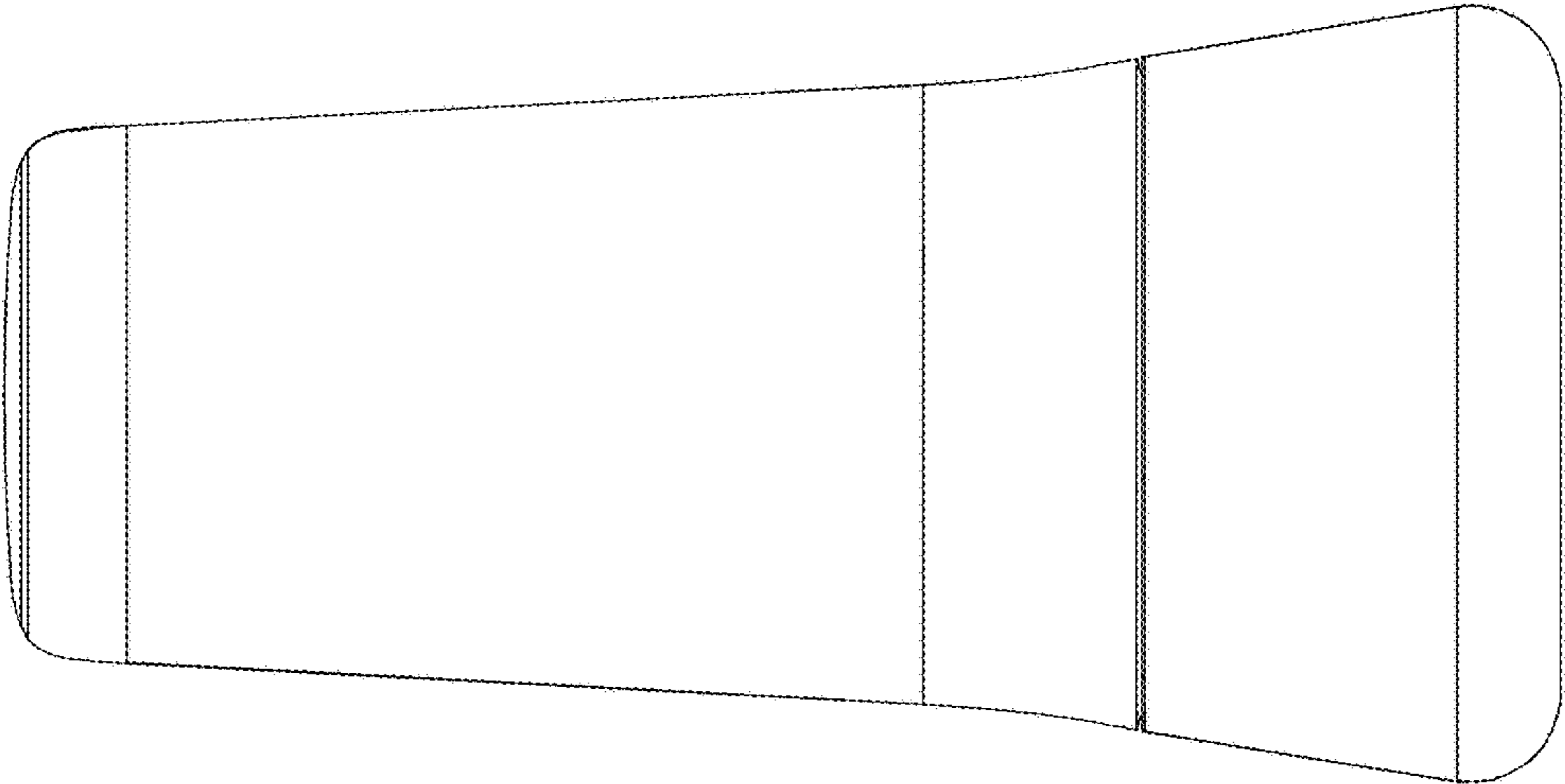


Fig. 5



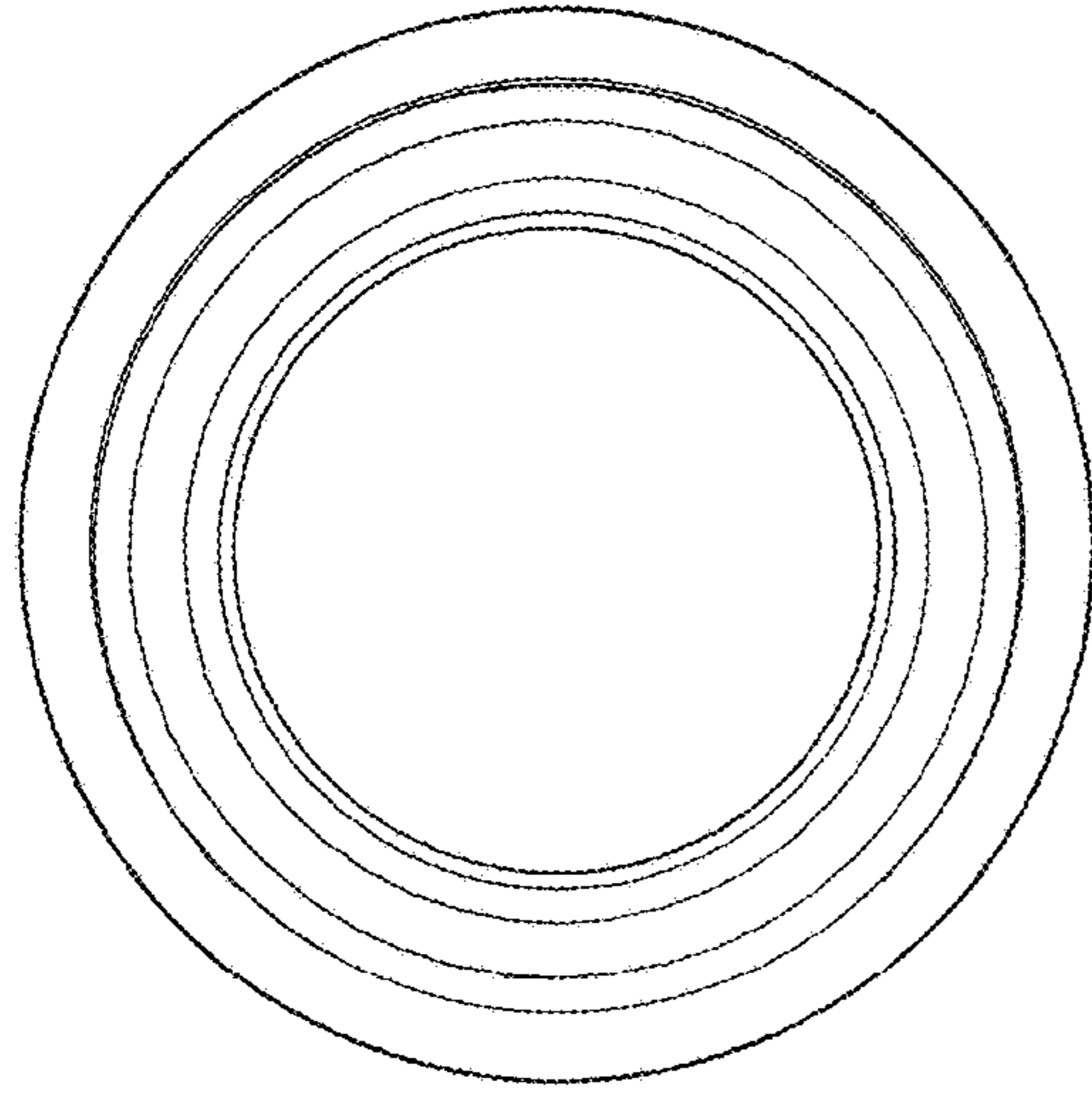


Fig. 7

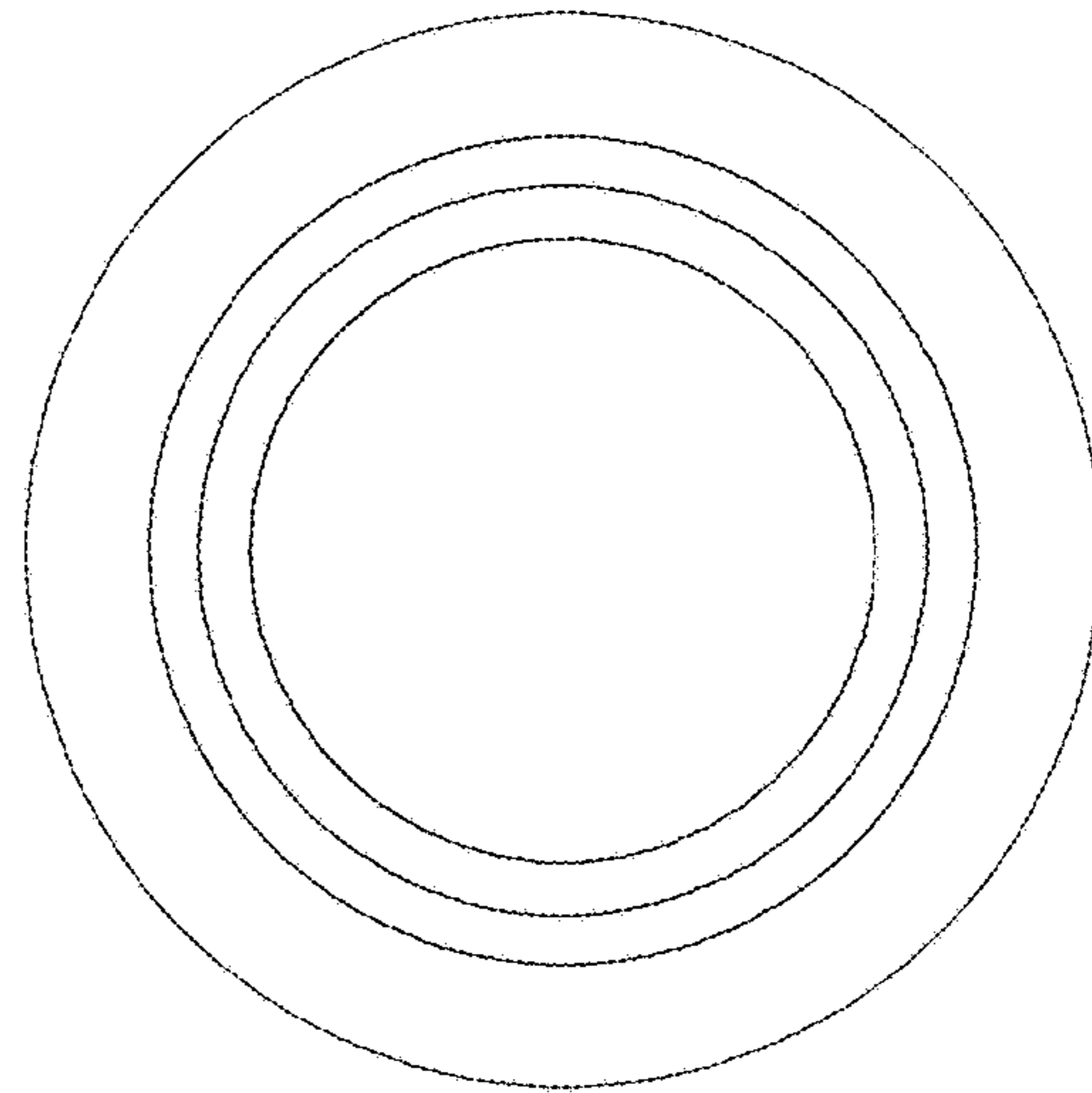


Fig. 8

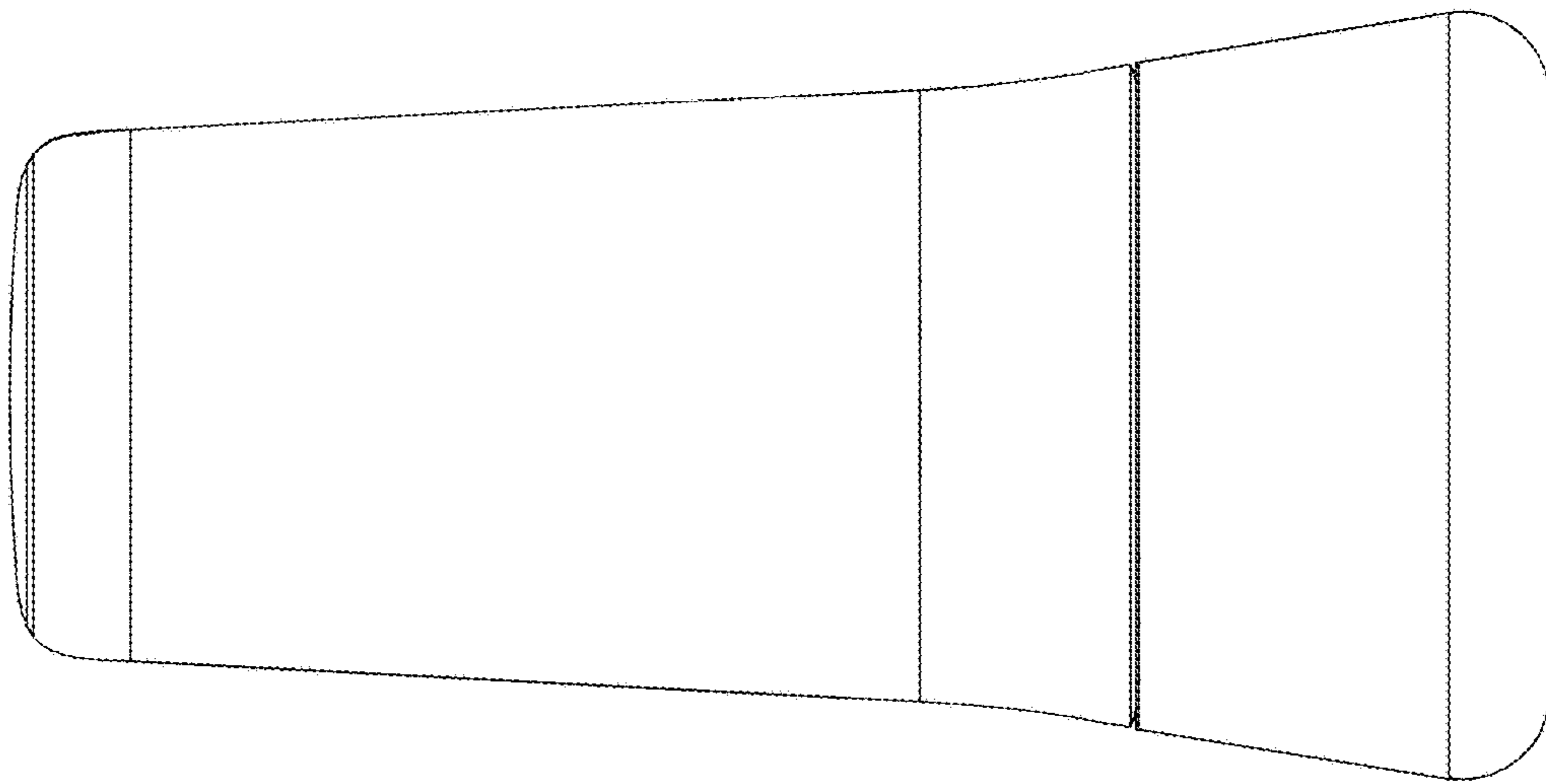


Fig. 6

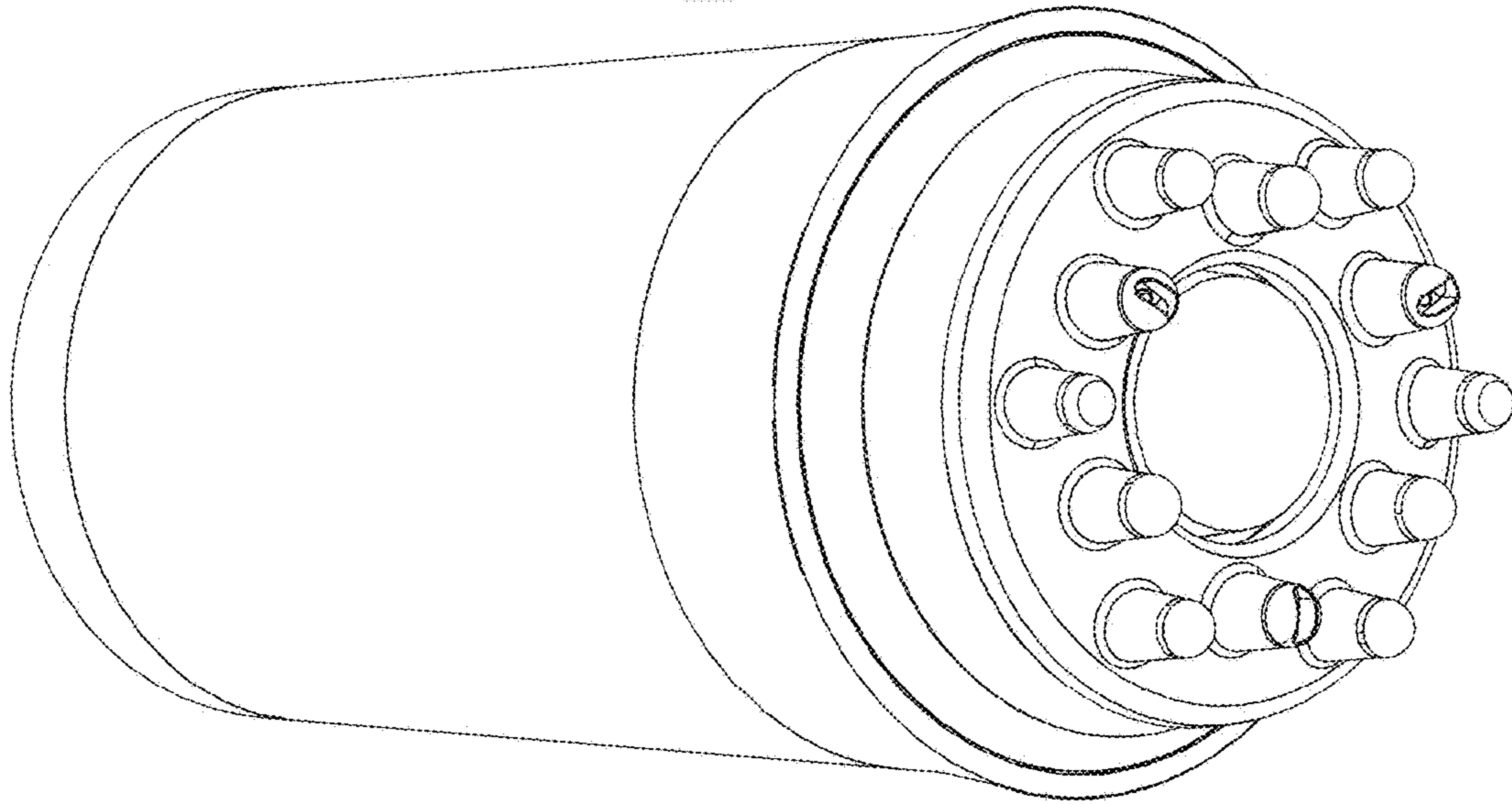


Fig. 10

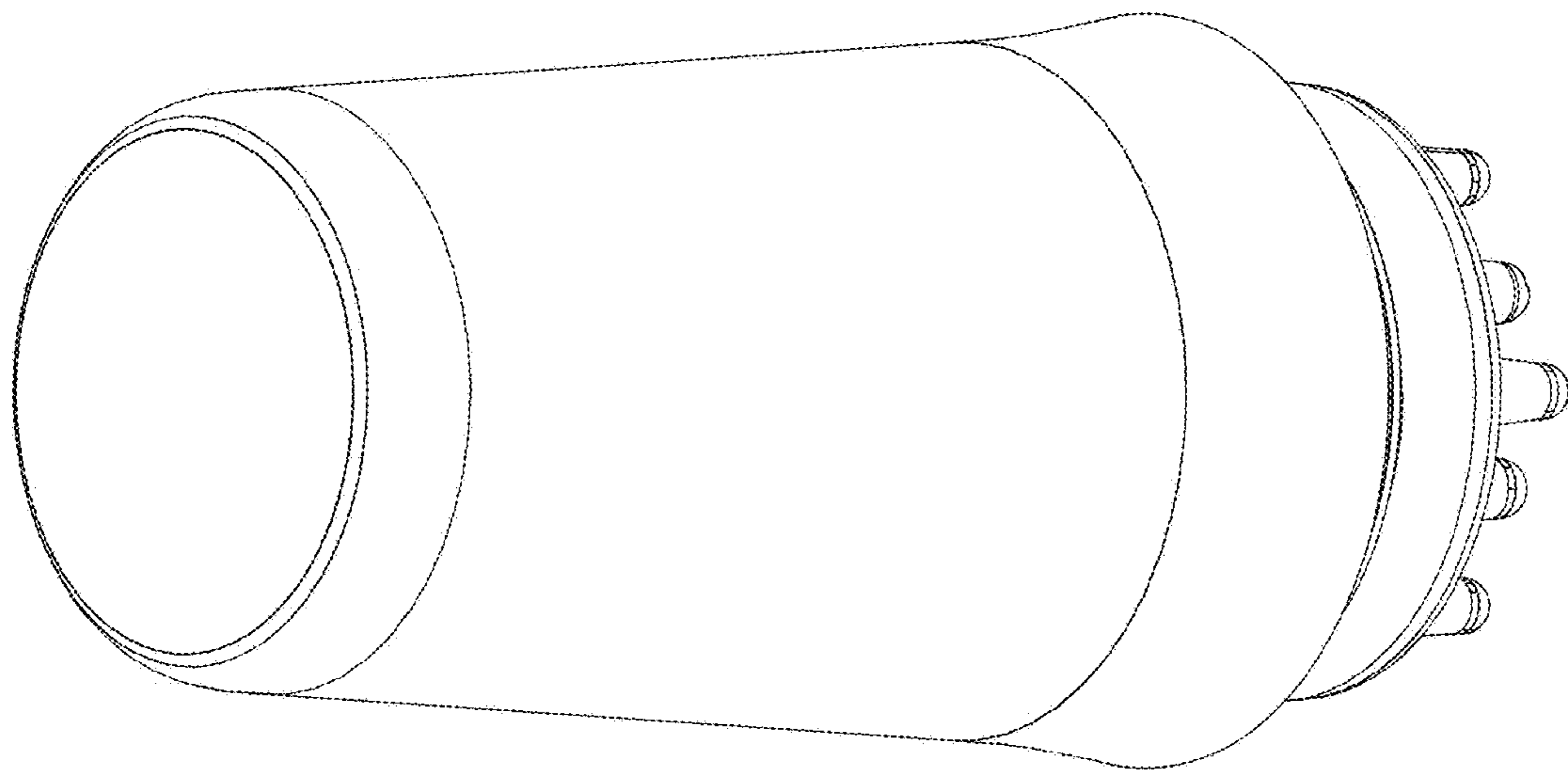


Fig. 9

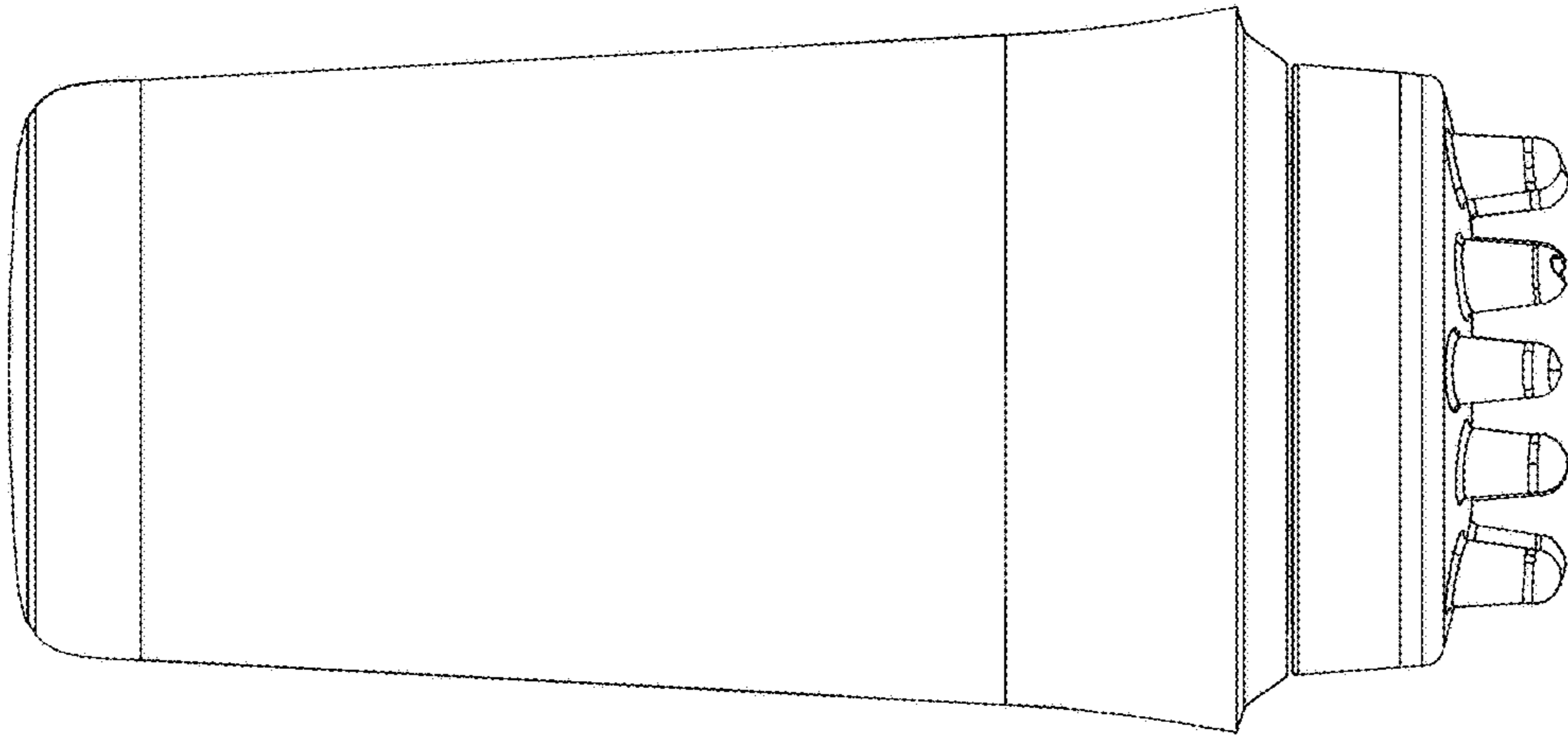


Fig. 11

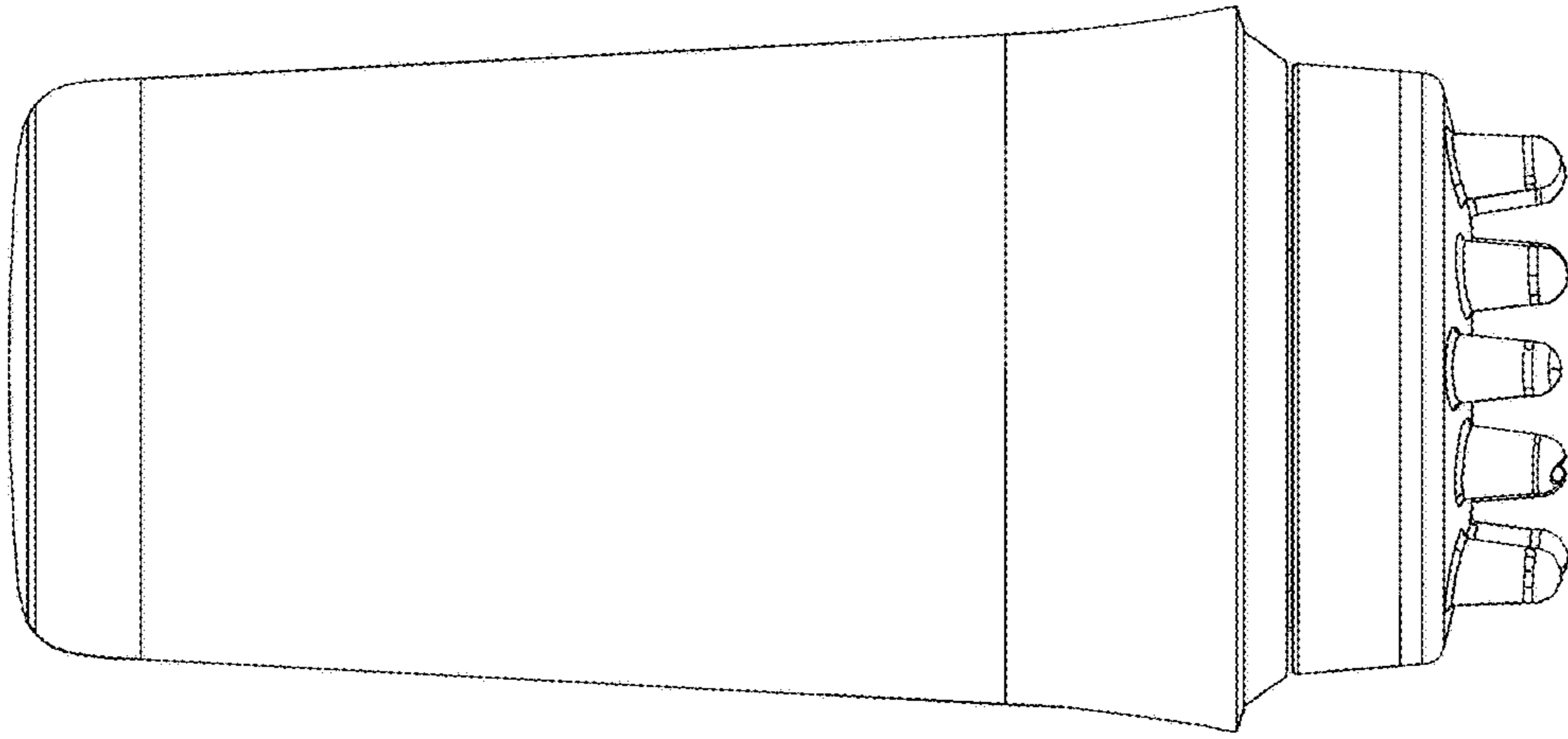


Fig. 12

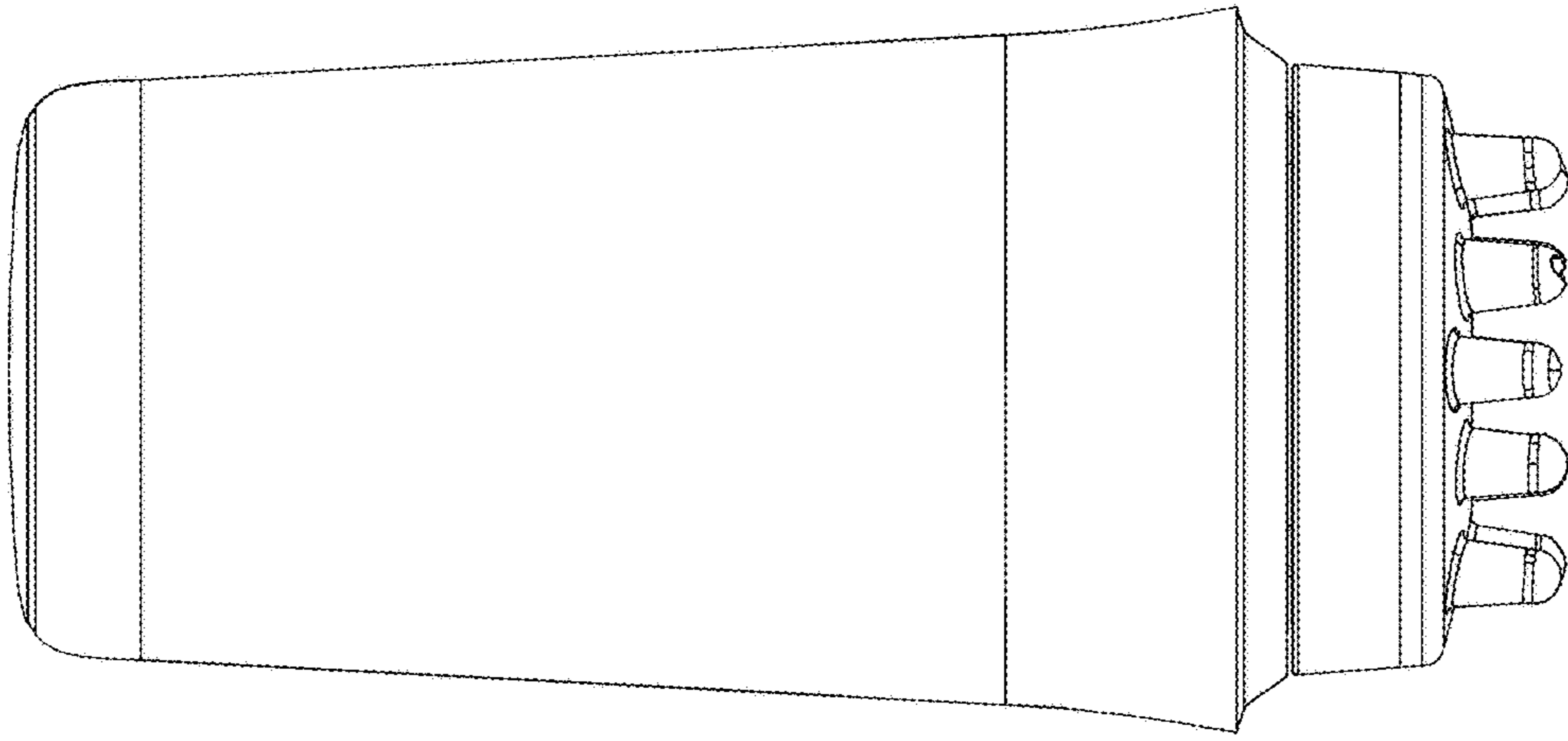


Fig. 13

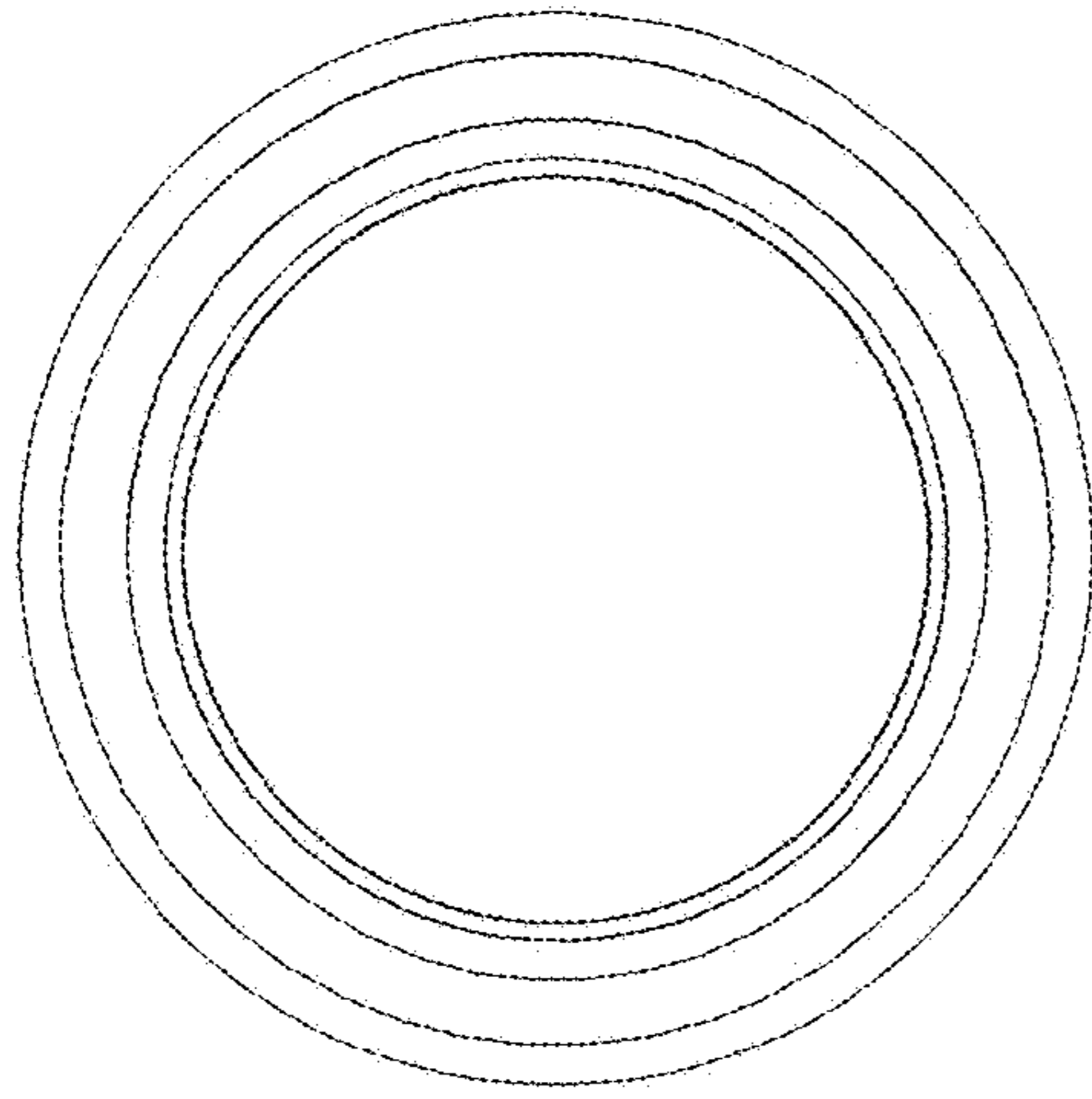


Fig. 15

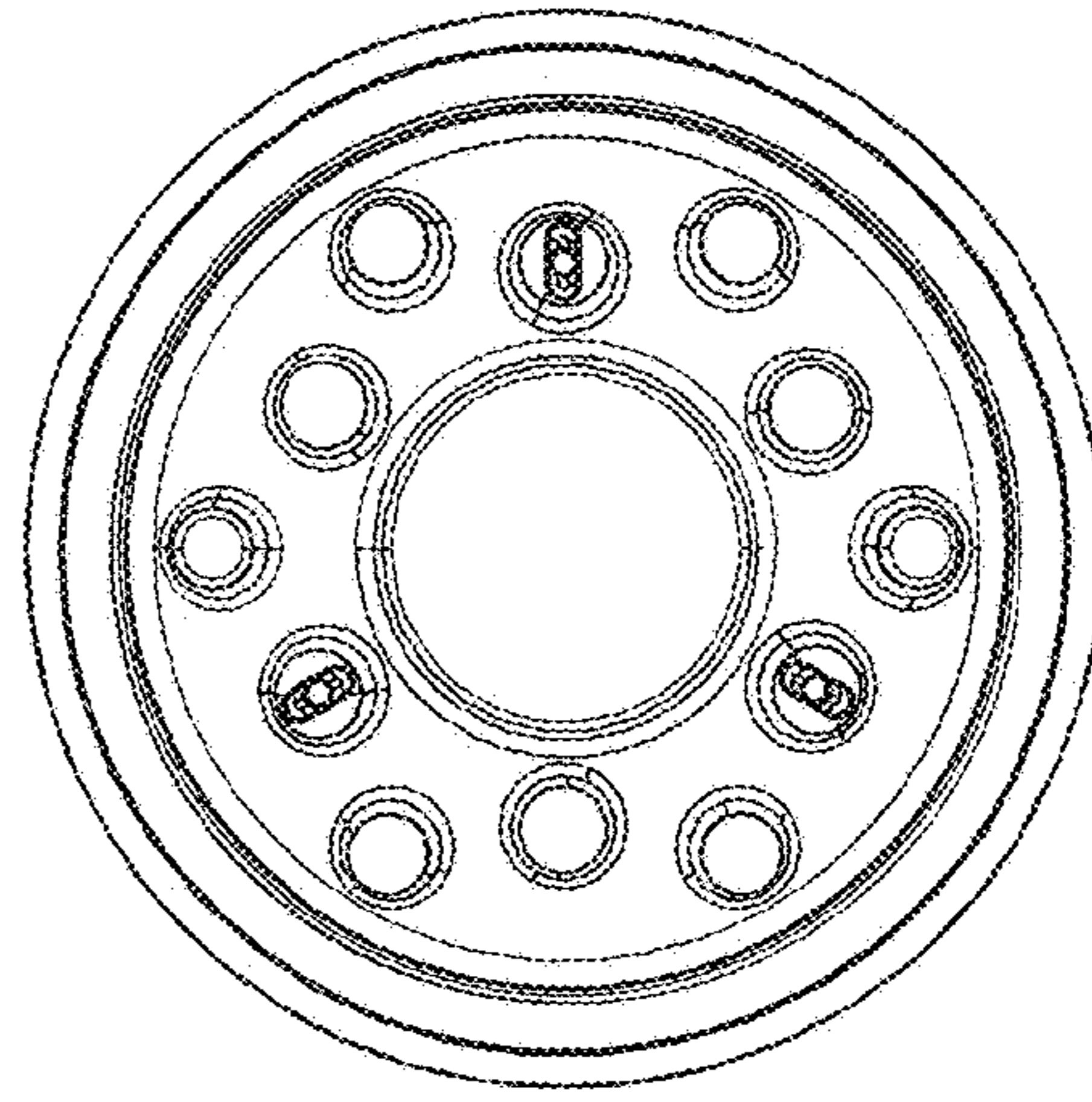


Fig. 16

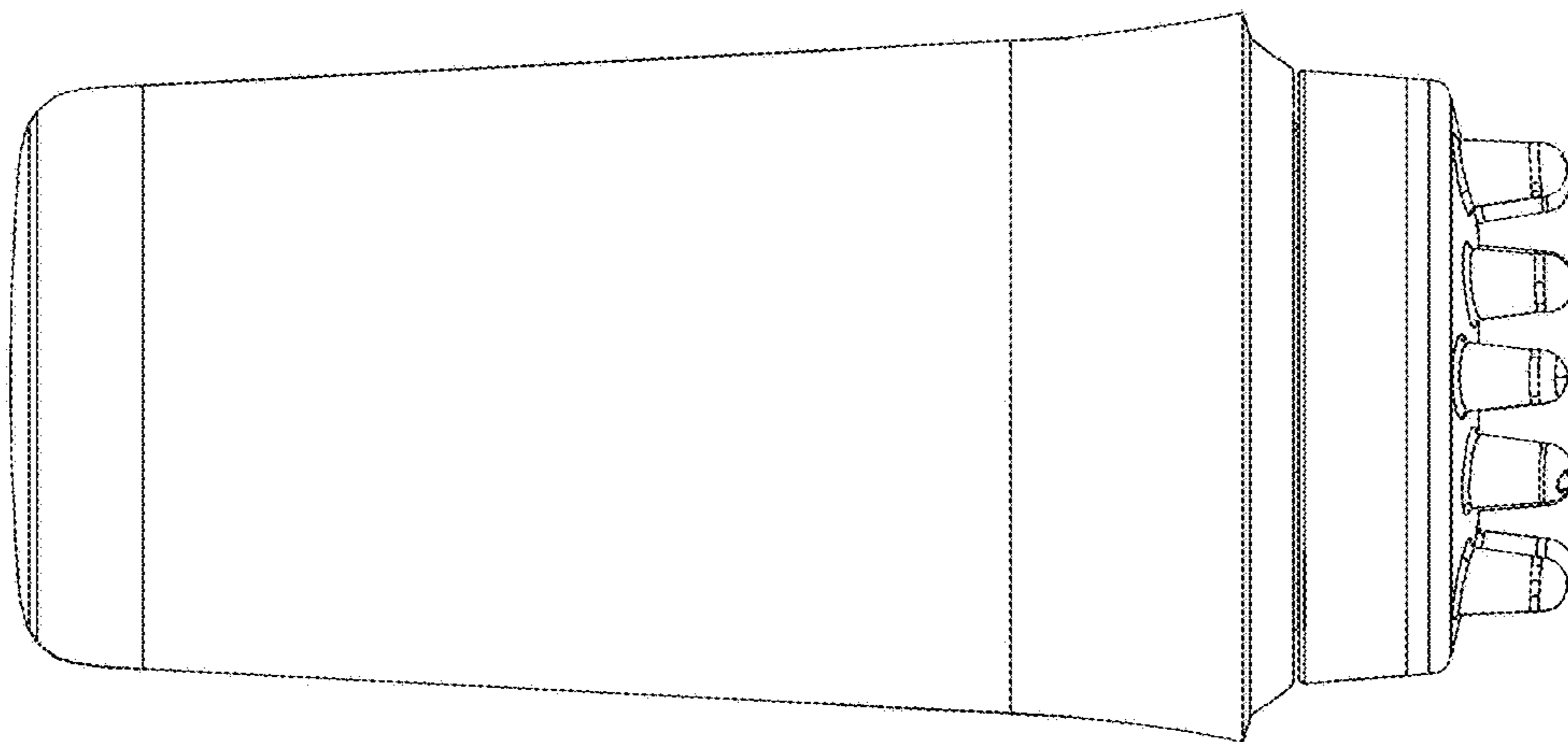


Fig. 14



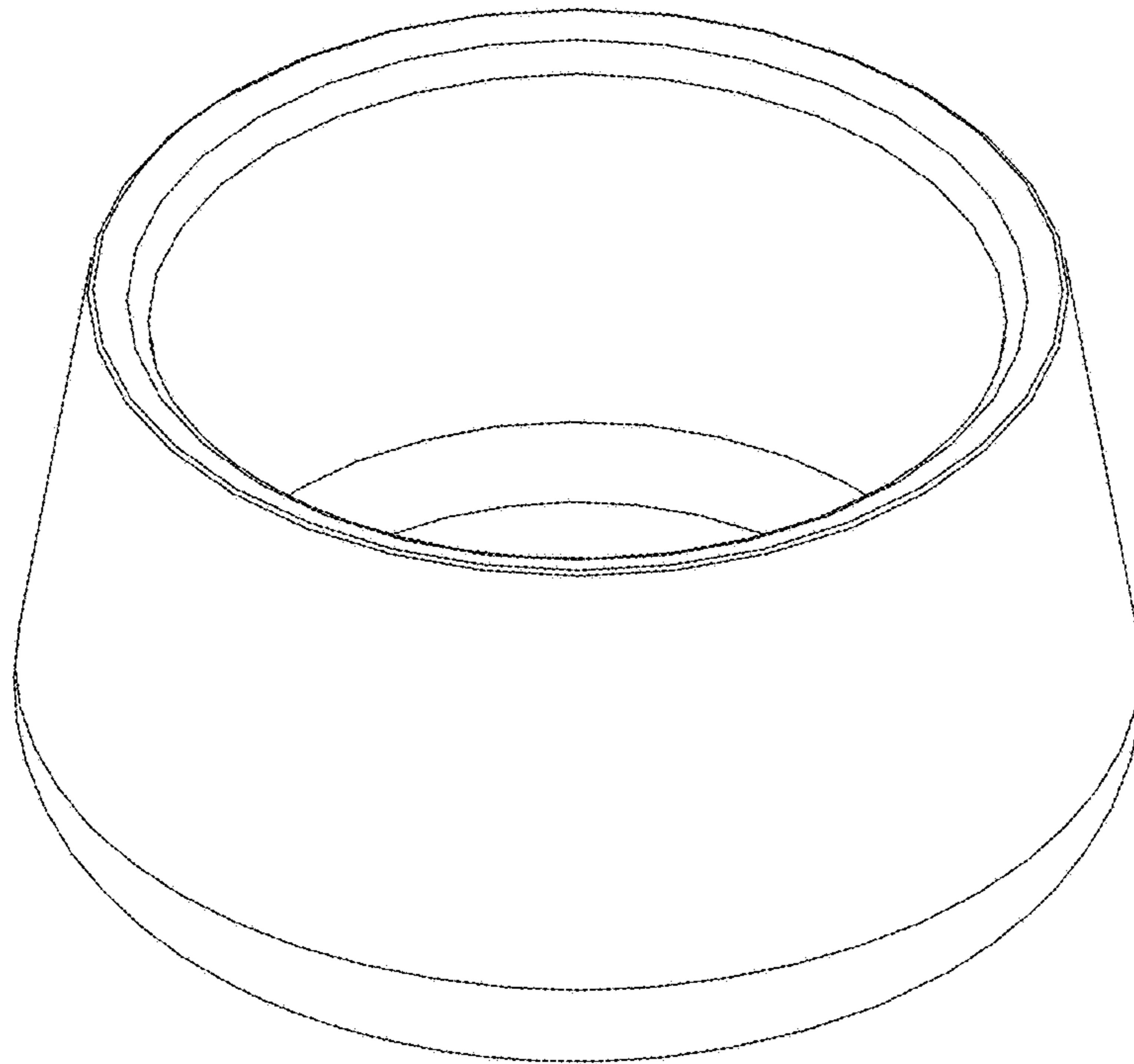


Fig. 17

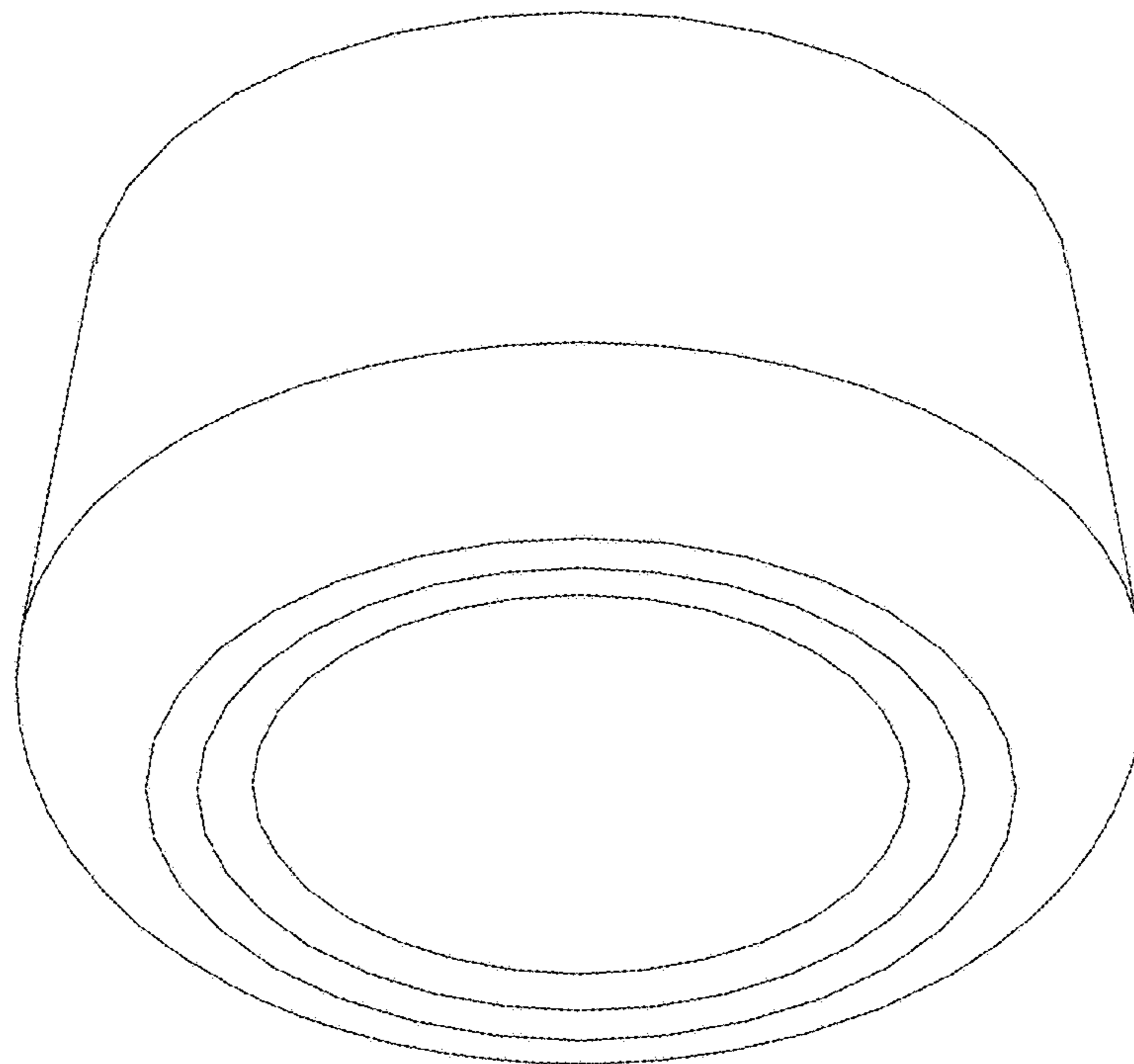


Fig. 18

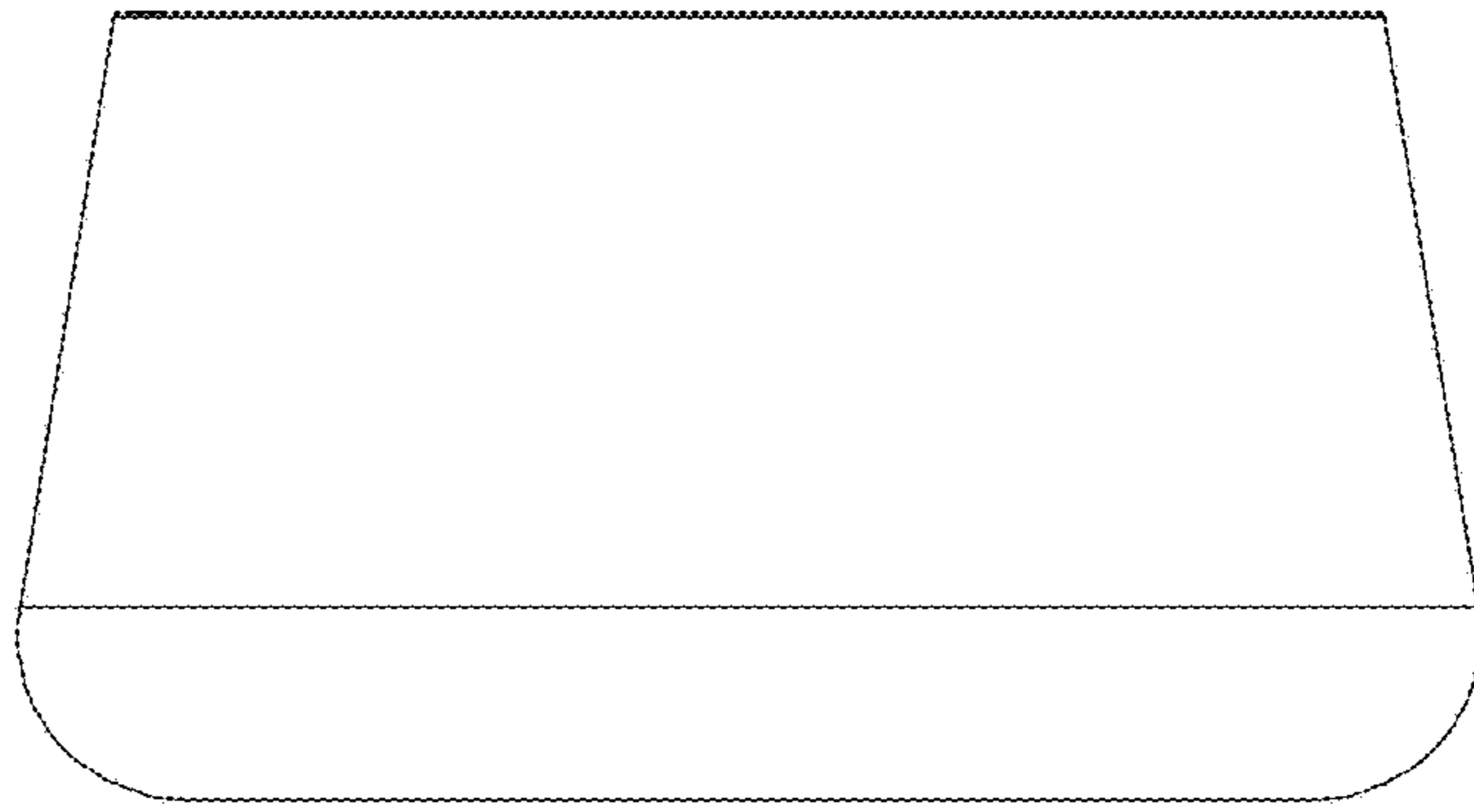


Fig. 19

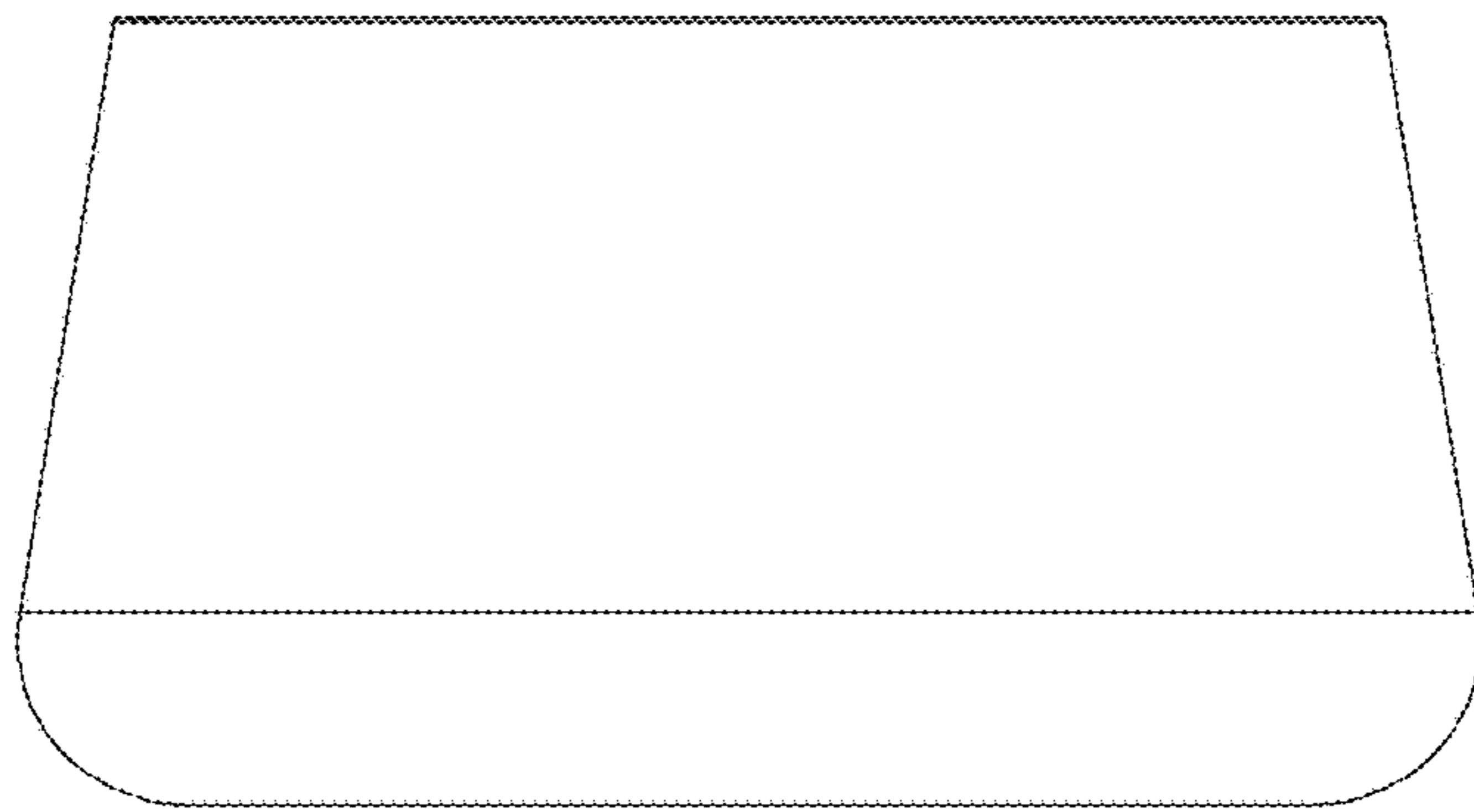


Fig. 20

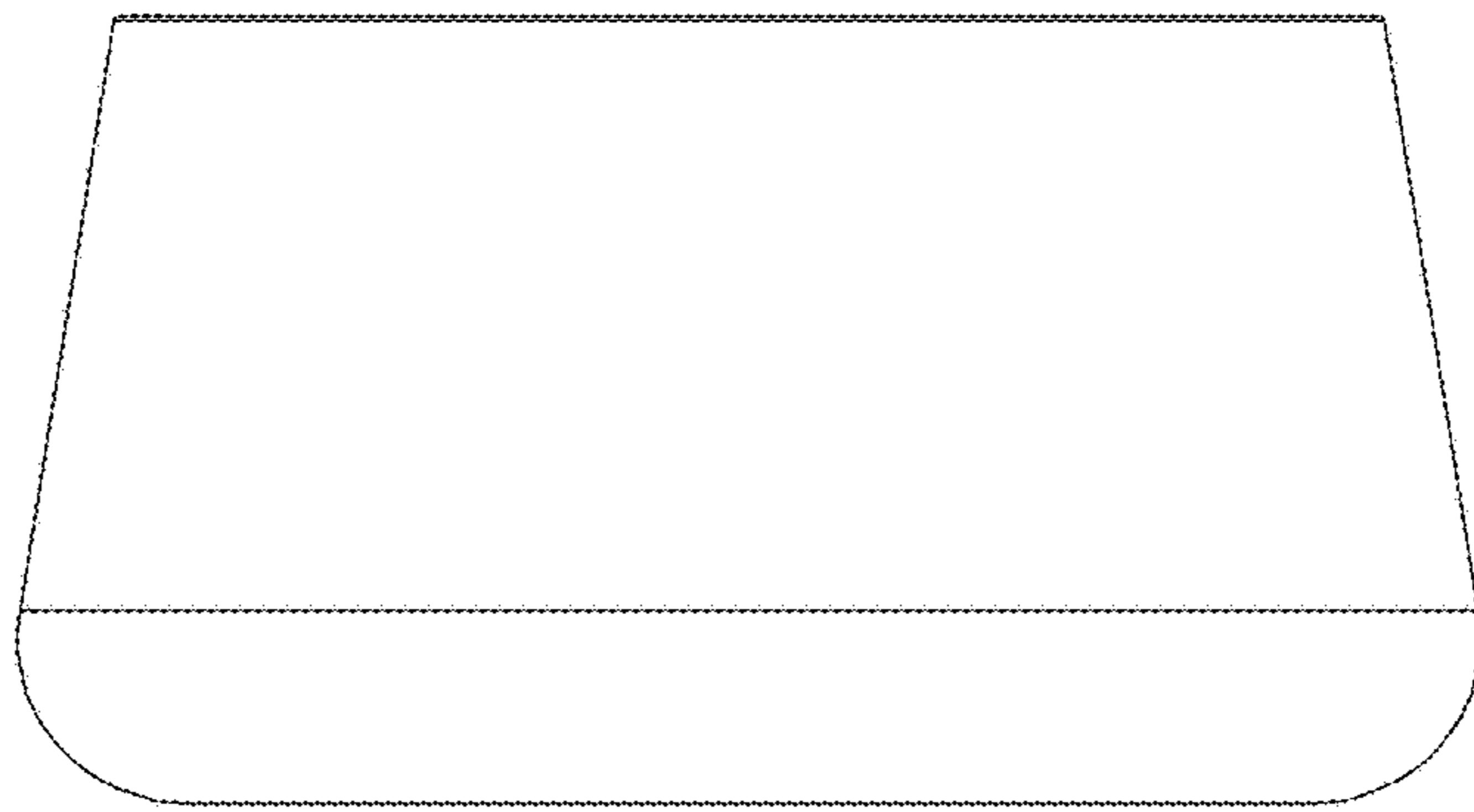


Fig. 21



Fig. 22

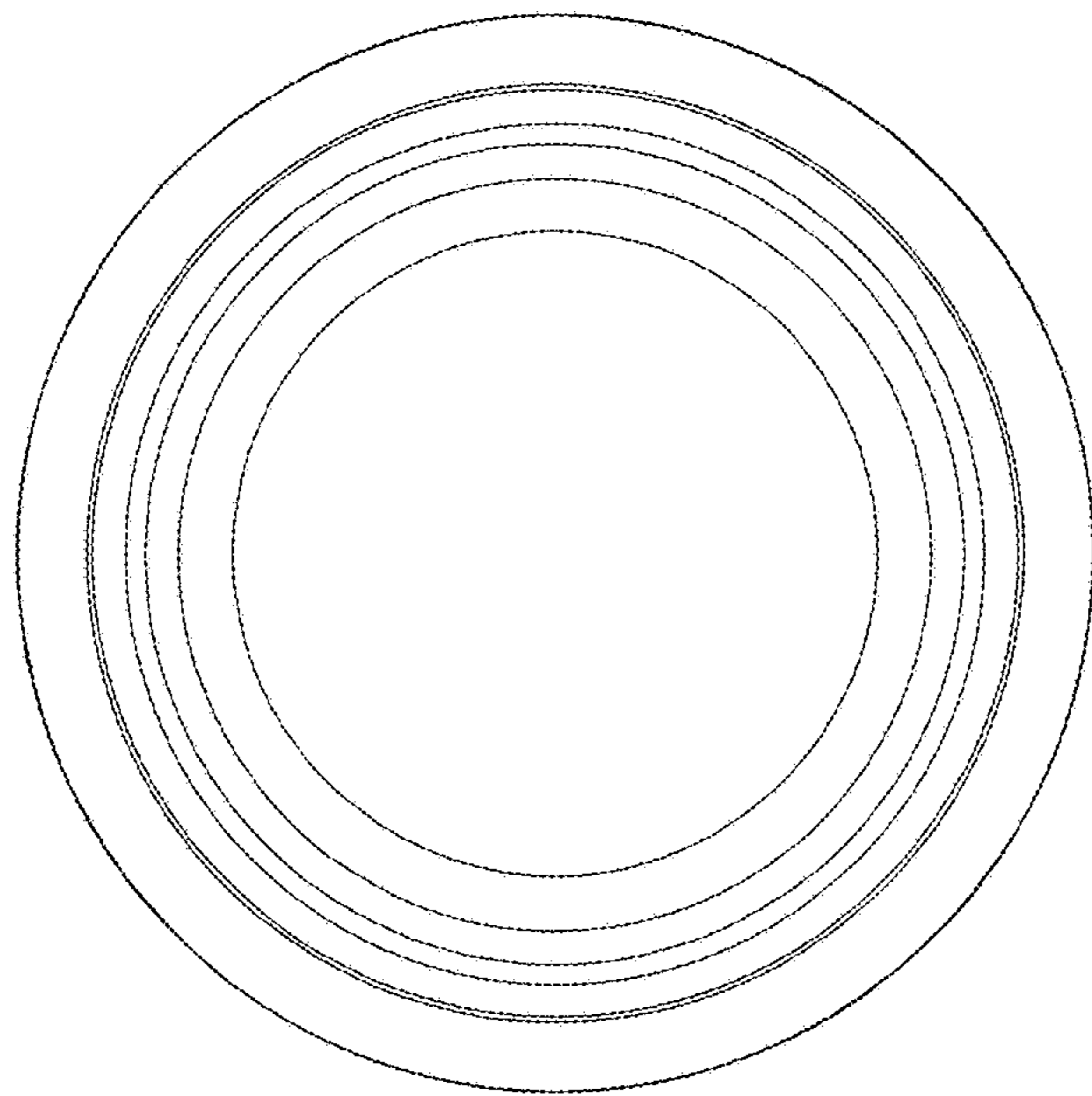


Fig. 23

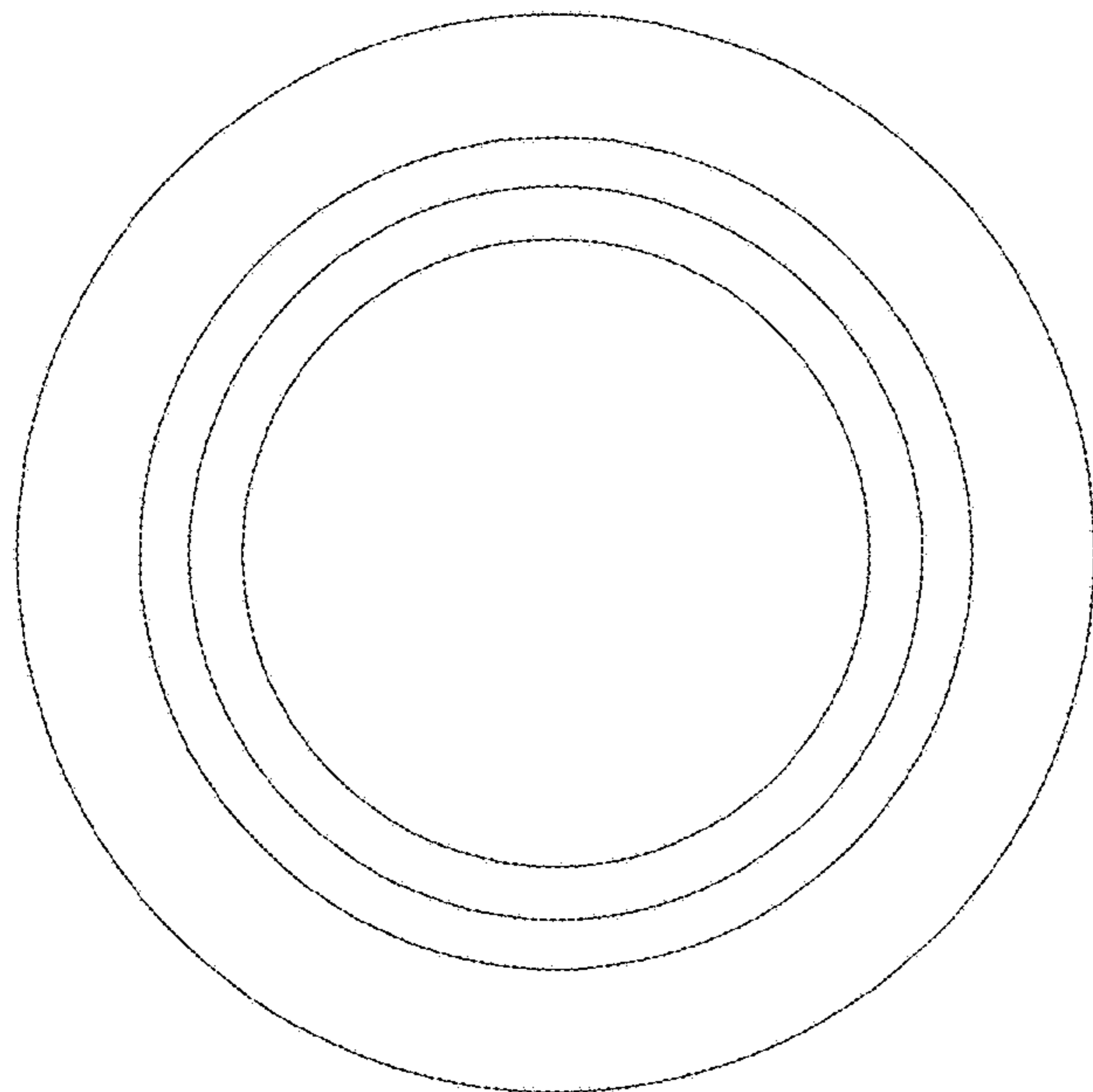


Fig. 24

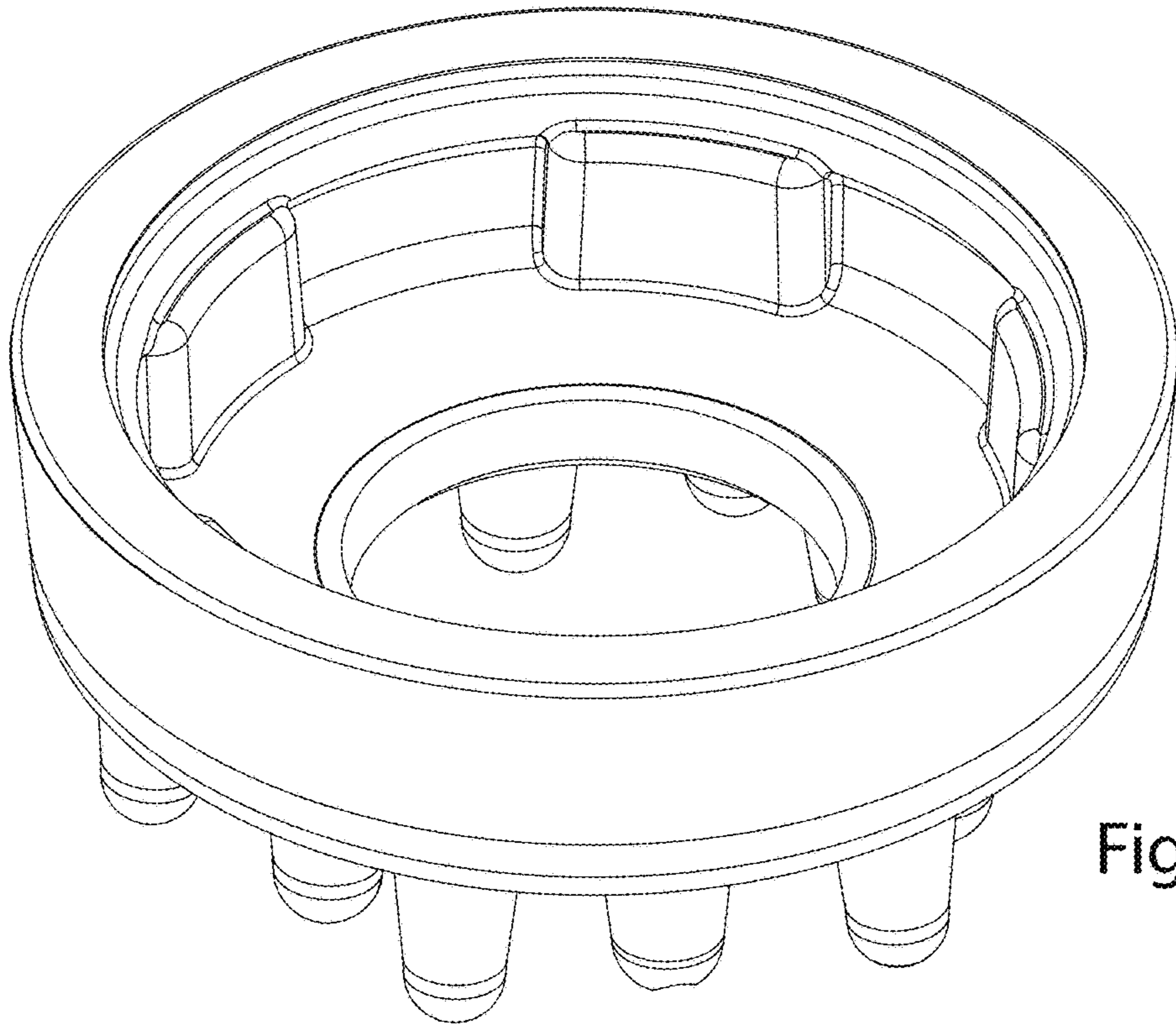


Fig. 25

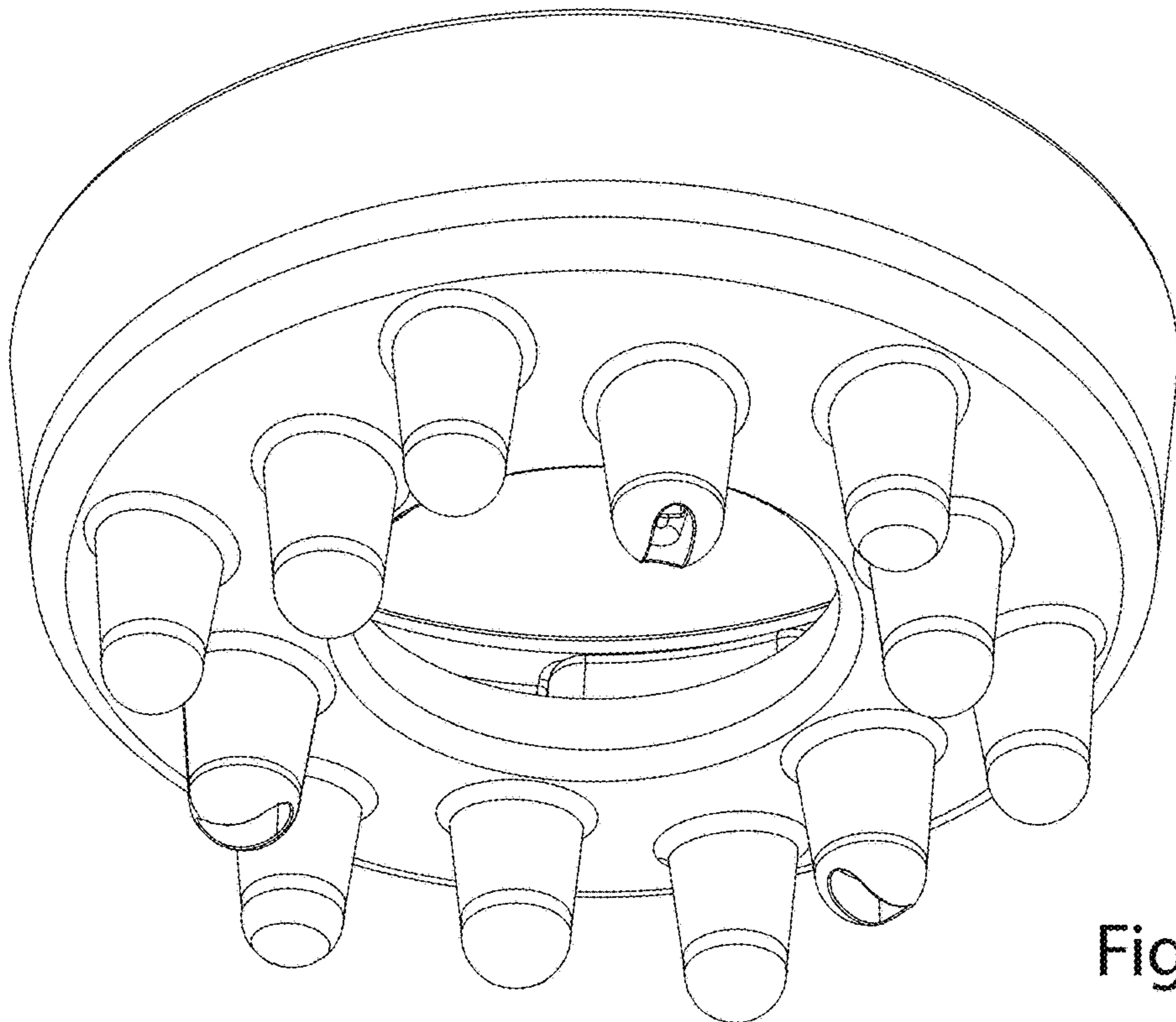


Fig. 26



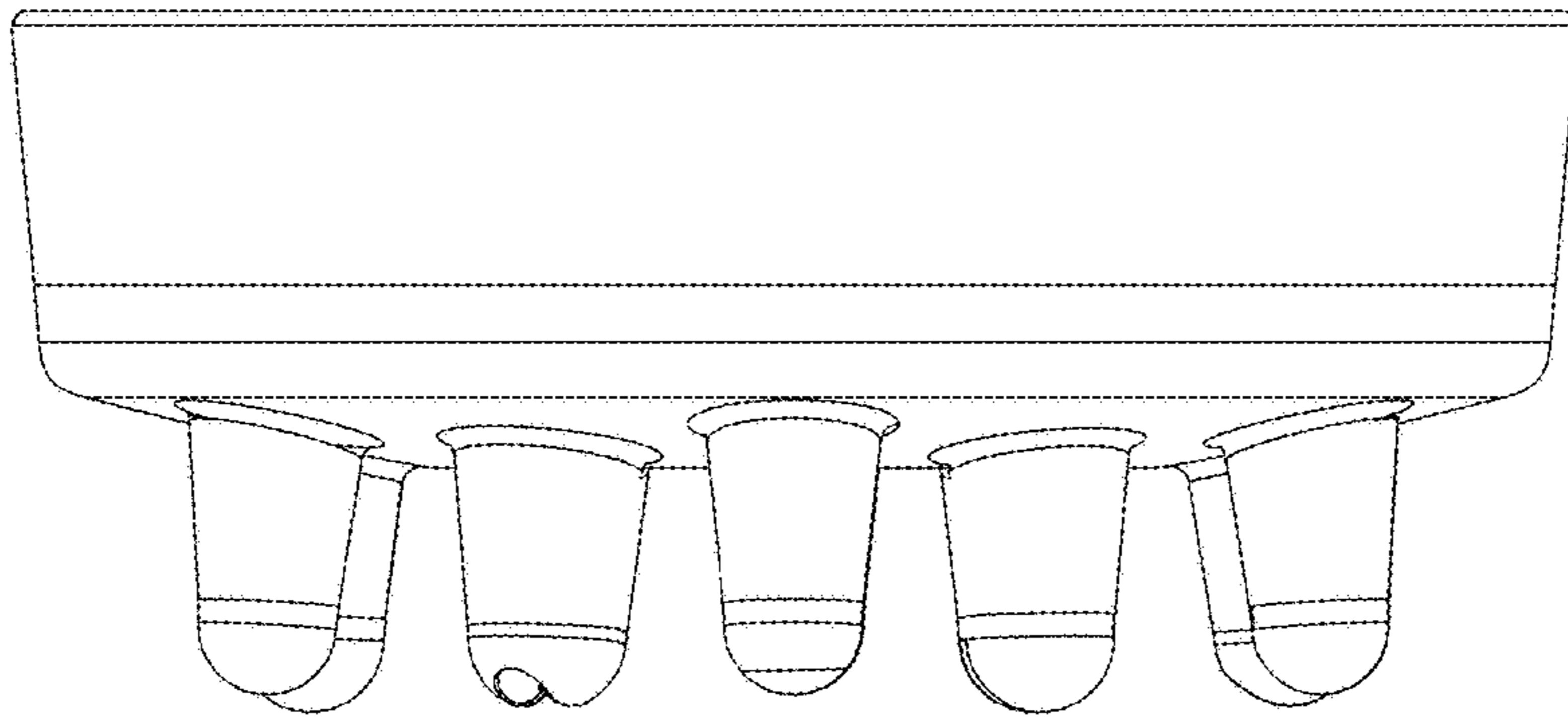


Fig. 27

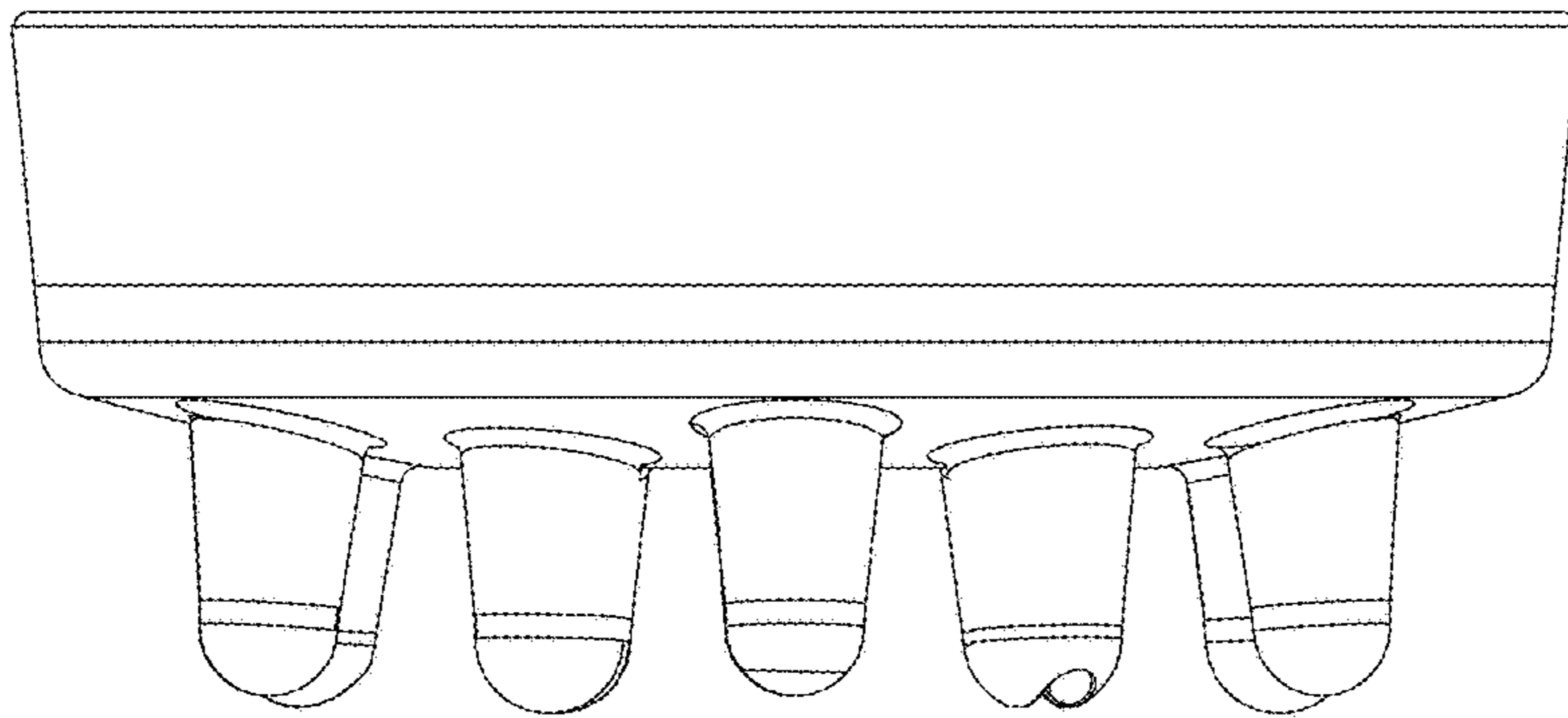


Fig. 28

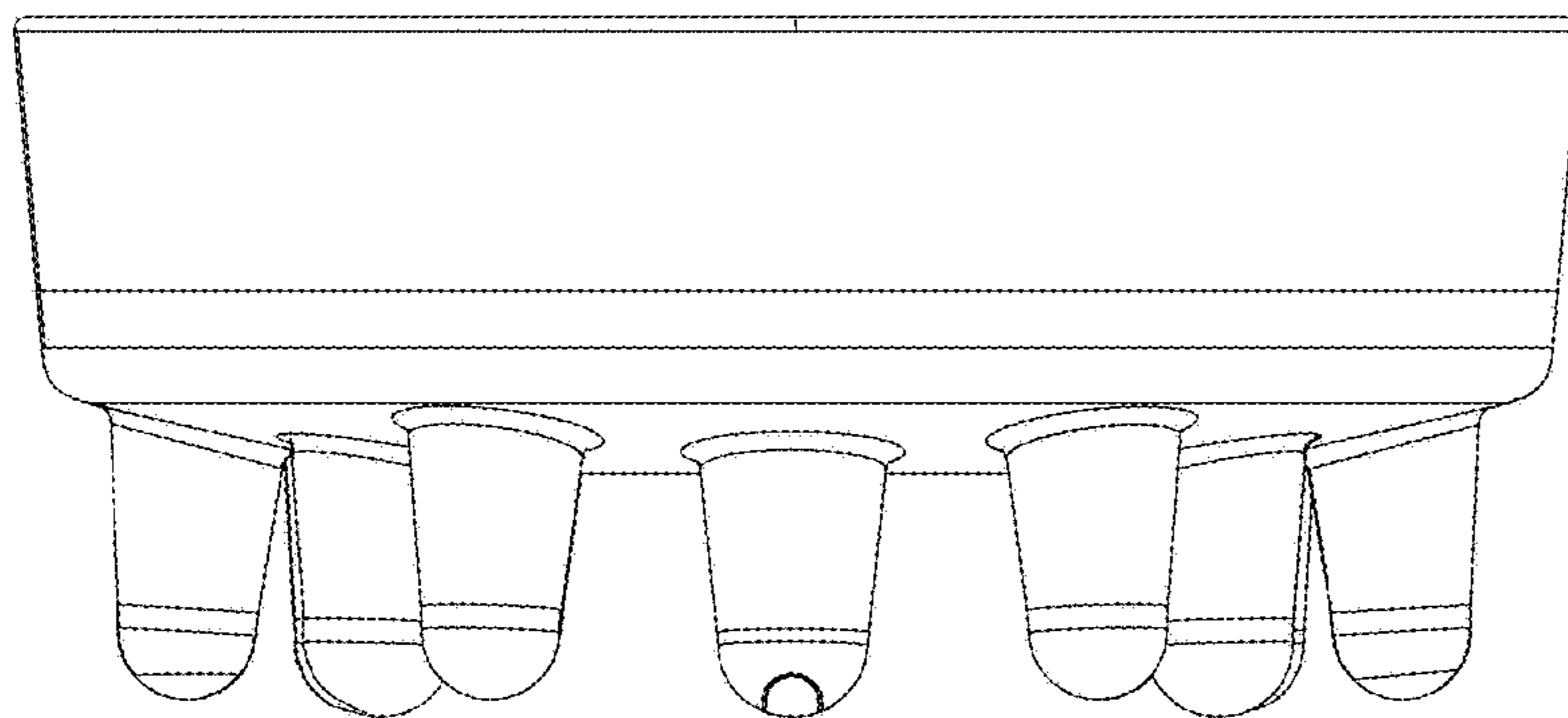


Fig. 29

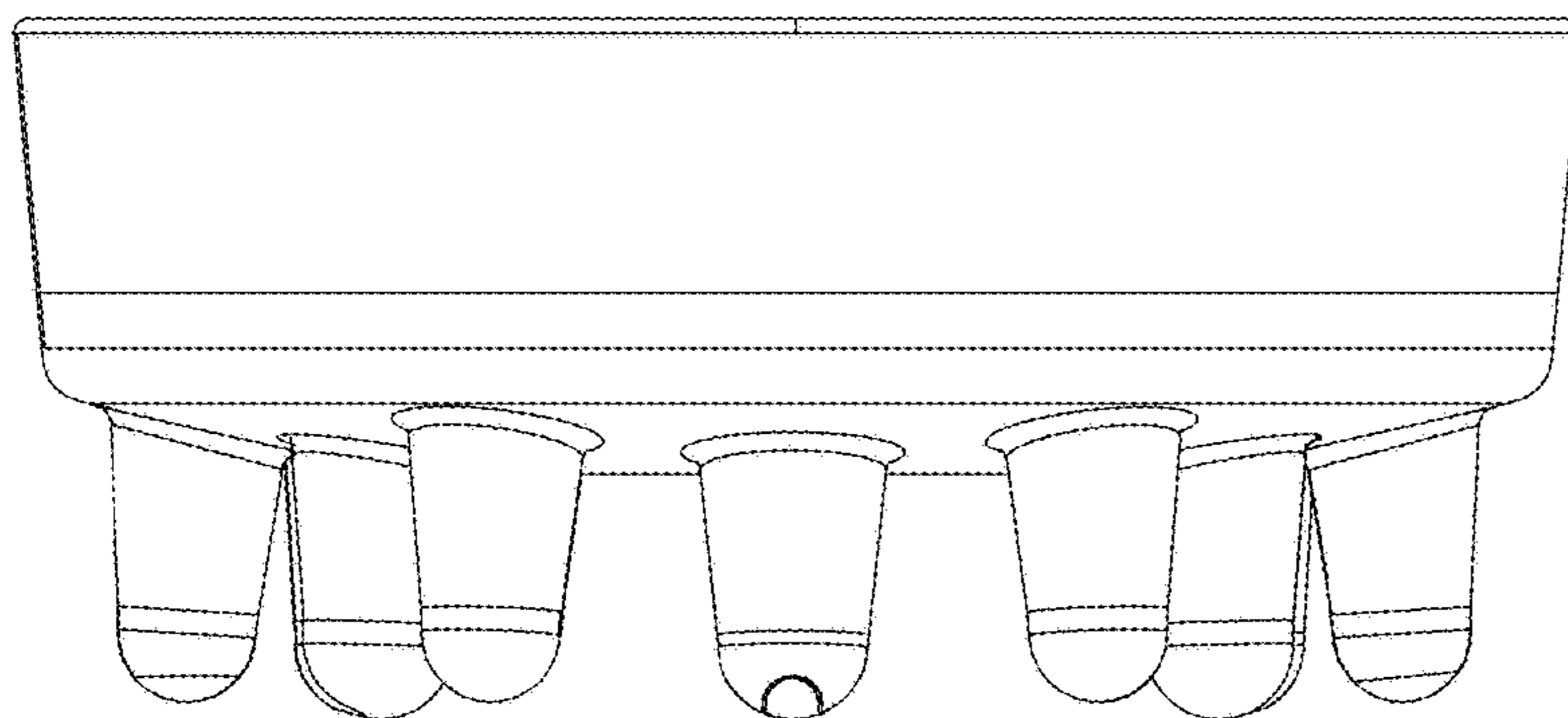


Fig. 30

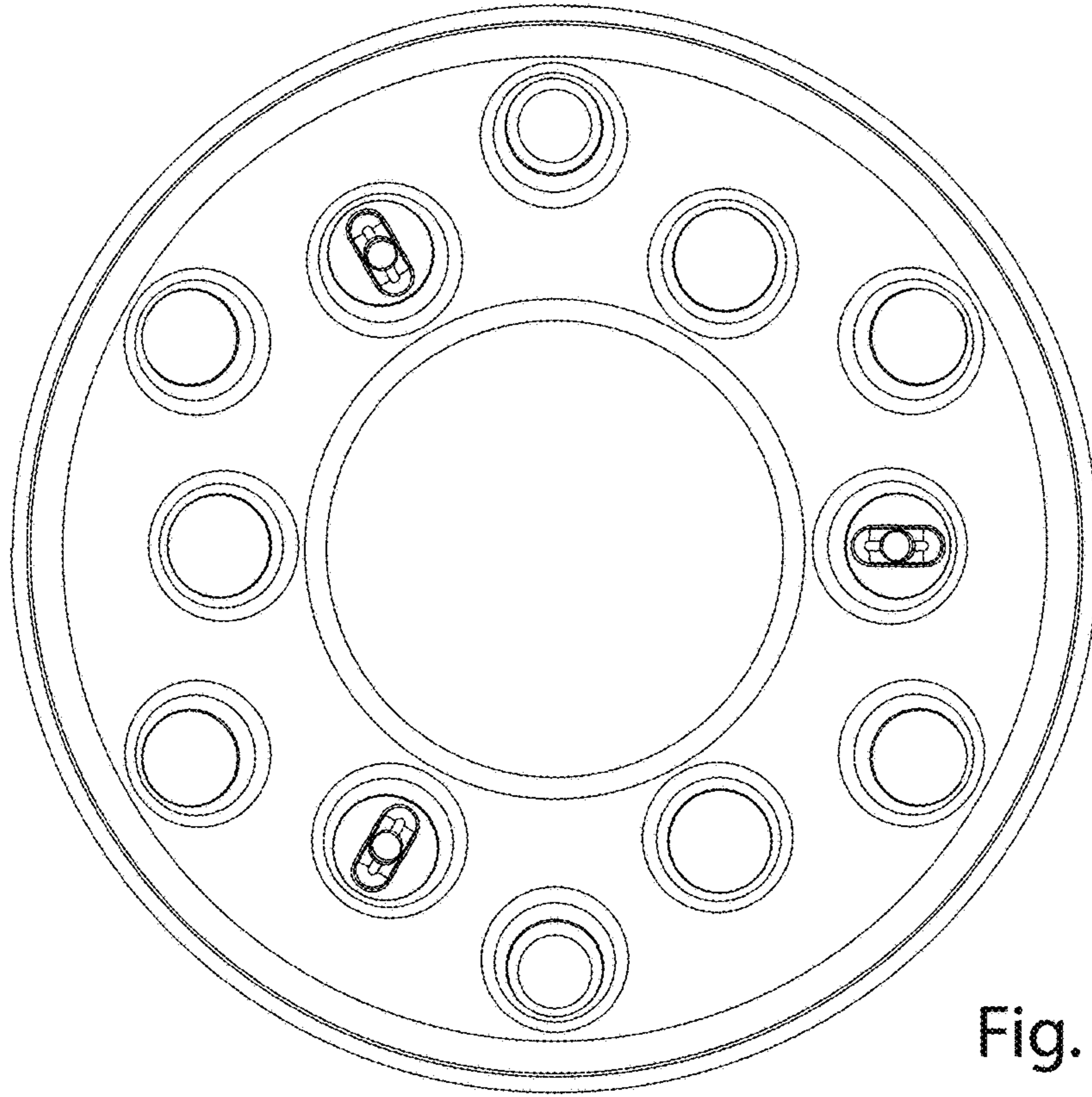


Fig. 31

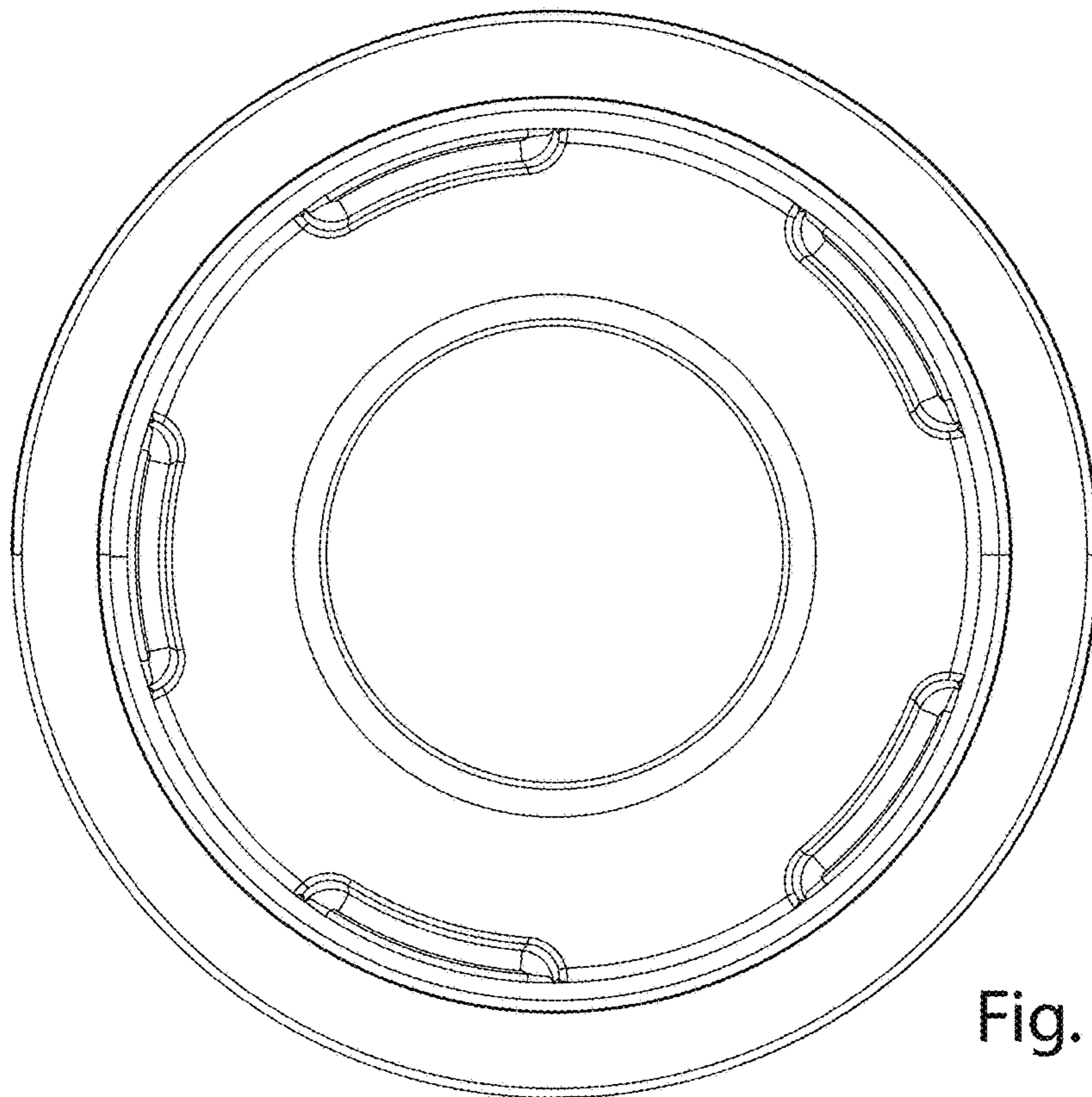


Fig. 32