



US00D810278S

(12) **United States Design Patent** (10) **Patent No.:** **US D810,278 S**
Cabiri et al. (45) **Date of Patent:** **** Feb. 13, 2018**

(54) **INJECTOR DEVICE**

(71) Applicant: **MEDIMOP Medical Projects Ltd.**,
Ra'anana (IL)

(72) Inventors: **Oz Cabiri**, Macabim-Reut (IL);
Reuven Y. Filman, Netanya (IL); **Boris Degtjar**, Modiin (IL); **Ofer Zick**, Tikva (IL)

(73) Assignee: **MEDIMOP MEDICAL PROJECTS LTD.**, Ra'anana (IL)

(**) Term: **15 Years**

(21) Appl. No.: **29/605,051**

(22) Filed: **May 23, 2017**

Related U.S. Application Data

(63) Continuation of application No. 29/604,616, filed on May 18, 2017, which is a continuation of application No. 13/667,739, filed on Nov. 2, 2012, and a continuation of application No. 13/472,112, filed on May 15, 2012, and a continuation of application No. 15/395,166, filed on Dec. 30, 2016, which is a continuation of application No. 13/892,905, filed on May 13, 2013, now Pat. No. 9,572,926, which is a continuation of application No. 13/272,555, filed on Oct. 13, 2011, now Pat. No. 8,465,455, which is a continuation of application No. 12/559,563, filed on Sep. 15, 2009, now Pat. No. 8,157,769, said application No. 29/604,616 is a continuation of application No. 15/132,740, filed on Apr. 19, 2016, now Pat. No. 9,764,092, which is a continuation of application No. 14/553,399, filed on Nov. 25, 2014, now Pat. No. 9,522,234, which is a continuation of application No. 14/258,661, filed on Apr. 22, 2014, now Pat. No. 9,149,575, which is a continuation of
(Continued)

(51) **LOC (11) Cl.** **24-02**

(52) **U.S. Cl.**
USPC **D24/111; D24/113**

(58) **Field of Classification Search**

USPC D24/107-108, 111-113, 169
CPC A61M 5/20; A61M 5/30; A61M 5/142;
A61M 5/14248; A61M 5/14244; A61M
2005/14252

See application file for complete search history.

(56) **References Cited**

U.S. PATENT DOCUMENTS

3,782,365 A 1/1974 Pinna
4,026,128 A 5/1977 Blanco
(Continued)

FOREIGN PATENT DOCUMENTS

CN 1224341 A 7/1999
CN 1408443 A 4/2003
(Continued)

Primary Examiner — Barbara Fox

Assistant Examiner — Lilyana Bekic

(74) *Attorney, Agent, or Firm* — Panitch Schwarze
Belisario & Nadel LLP

(57) **CLAIM**

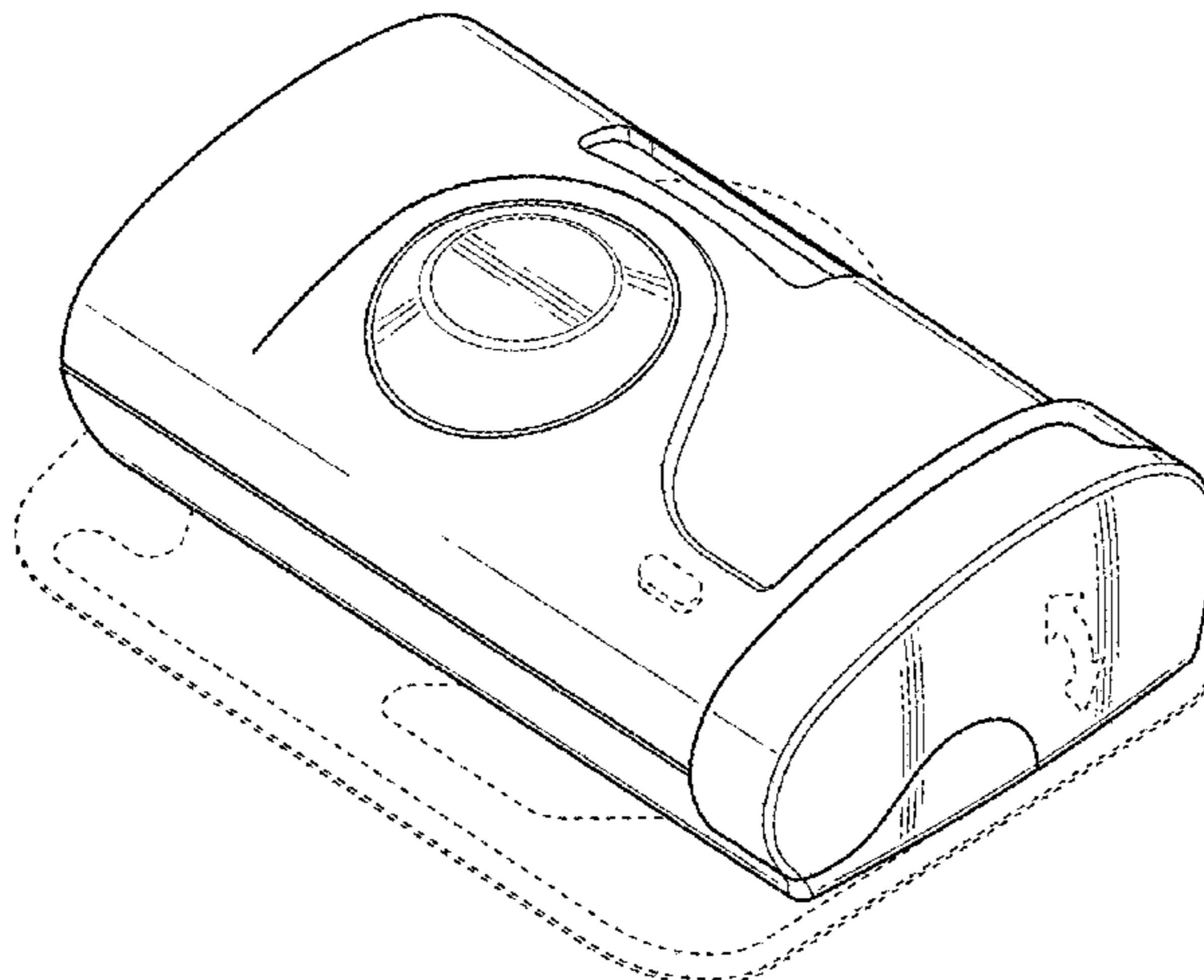
The ornamental design for an injector device, as shown and described.

DESCRIPTION

FIG. 1 is a front, right side isometric view of an injector device in accordance with our new design;
FIG. 2 is a front elevational view thereof;
FIG. 3 is a rear elevational view thereof;
FIG. 4 is a left side elevational view thereof;
FIG. 5 is a right side elevational view thereof;
FIG. 6 is a top plan view thereof; and,
FIG. 7 is a bottom plan view thereof.

The broken lines in the drawings depict portions of the injector device that form no part of the claimed design.

1 Claim, 4 Drawing Sheets



Related U.S. Application Data

application No. 13/521,167, filed as application No. PCT/US2011/021604 on Jan. 19, 2011, now Pat. No. 8,915,882.

(56)

References Cited

U.S. PATENT DOCUMENTS

4,300,554 A 11/1981 Hessberg et al.
 4,689,043 A 8/1987 Bisha
 4,919,596 A 4/1990 Slate et al.
 5,090,877 A 2/1992 D'Silva
 5,348,544 A 9/1994 Sweeney et al.
 5,364,364 A 11/1994 Kasvikis et al.
 5,445,621 A 8/1995 Poli et al.
 5,482,446 A 1/1996 Williamson et al.
 5,496,274 A 3/1996 Graves et al.
 5,505,709 A 4/1996 Funderburk et al.
 D372,098 S * 7/1996 Lattin D24/189
 5,562,686 A 10/1996 Sauer et al.
 5,658,133 A 8/1997 Anderson et al.
 5,672,160 A 9/1997 Osterlind et al.
 D384,745 S * 10/1997 Lattin D24/189
 5,779,676 A 7/1998 Kriesel et al.
 5,814,020 A 9/1998 Gross
 5,830,187 A 11/1998 Kriesel et al.
 5,848,991 A 12/1998 Gross et al.
 5,858,001 A 1/1999 Tsals et al.
 5,868,710 A 2/1999 Battiato et al.
 5,941,850 A 8/1999 Shah et al.
 5,954,697 A 9/1999 Srisathapat et al.
 6,149,614 A 11/2000 Dunshee et al.
 6,345,968 B1 2/2002 Shupe
 6,377,848 B1 4/2002 Garde et al.
 6,423,036 B1 7/2002 Van Huizen
 6,599,272 B1 7/2003 Hjertman et al.
 6,632,201 B1 10/2003 Mathias et al.
 6,972,002 B2 12/2005 Thorne
 7,097,637 B2 8/2006 Triplett et al.
 7,588,559 B2 9/2009 Aravena et al.
 D602,155 S * 10/2009 Foley D24/113
 D602,586 S * 10/2009 Foley D24/113
 7,704,229 B2 4/2010 Moberg et al.
 7,749,194 B2 7/2010 Edwards et al.
 7,806,868 B2 10/2010 De Polo et al.
 7,967,795 B1 * 6/2011 Cabiri A61M 5/14566
 604/154
 8,152,779 B2 4/2012 Cabiri
 8,157,769 B2 4/2012 Cabiri
 8,348,898 B2 1/2013 Cabiri
 D685,083 S * 6/2013 Schneider D24/108
 8,465,455 B2 6/2013 Cabiri
 D687,141 S * 7/2013 Schneider D24/108
 D687,536 S * 8/2013 Guarraia D24/108
 8,915,882 B2 12/2014 Cabiri
 D723,157 S * 2/2015 Clemente D24/111
 9,072,827 B2 7/2015 Cabiri
 9,149,575 B2 10/2015 Cabiri
 9,393,365 B2 7/2016 Cabiri
 D768,288 S * 10/2016 O'Connor D24/111
 9,492,610 B2 11/2016 Cabiri
 9,511,190 B2 12/2016 Cabiri
 9,522,234 B2 12/2016 Cabiri
 9,707,335 B2 * 7/2017 Agard A61M 5/14216
 9,737,655 B2 * 8/2017 Clemente A61M 5/14224
 2002/0055711 A1 5/2002 Lavi et al.
 2002/0065488 A1 5/2002 Suzuki et al.
 2002/0161332 A1 10/2002 Ramey
 2003/0109827 A1 6/2003 Lavi et al.
 2003/0135159 A1 7/2003 Daily et al.
 2003/0199827 A1 10/2003 Thorne
 2004/0010207 A1 1/2004 Flaherty et al.
 2004/0015131 A1 1/2004 Flaherty et al.
 2004/0064088 A1 4/2004 Gorman et al.
 2004/0116866 A1 6/2004 Gorman et al.
 2004/0158172 A1 8/2004 Hancock
 2004/0186424 A1 9/2004 Hjertman

2005/0049553 A1 3/2005 Triplett et al.
 2005/0113761 A1 5/2005 Faust et al.
 2005/0159706 A1 7/2005 Wilkinson et al.
 2005/0203461 A1 9/2005 Flaherty et al.
 2006/0173410 A1 8/2006 Moberg et al.
 2006/0195029 A1 8/2006 Shults et al.
 2007/0016381 A1 1/2007 Kamath et al.
 2007/0106218 A1 5/2007 Yodfat et al.
 2007/0123819 A1 5/2007 Mernoe et al.
 2007/0167912 A1 7/2007 Causey et al.
 2007/0197968 A1 8/2007 Pongpairochana et al.
 2008/0033393 A1 2/2008 Edwards et al.
 2008/0097381 A1 4/2008 Moberg et al.
 2008/0195049 A1 8/2008 Thalmann et al.
 2008/0208138 A1 8/2008 Lim et al.
 2008/0215015 A1 9/2008 Cindrigh et al.
 2008/0234627 A1 * 9/2008 Dent A61M 5/14248
 604/20
 2008/0249473 A1 10/2008 Rutti et al.
 2008/0269687 A1 10/2008 Chong et al.
 2008/0275407 A1 11/2008 Scheurer
 2008/0281270 A1 * 11/2008 Cross A61M 5/1413
 604/122
 2009/0043253 A1 2/2009 Podaima
 2009/0054852 A1 2/2009 Takano et al.
 2009/0062767 A1 3/2009 Van Antwerp et al.
 2009/0076360 A1 3/2009 Brister et al.
 2009/0093792 A1 4/2009 Gross et al.
 2009/0093793 A1 4/2009 Gross et al.
 2009/0105650 A1 4/2009 Wiegel et al.
 2009/0139724 A1 6/2009 Gray et al.
 2009/0143735 A1 6/2009 De Polo et al.
 2009/0209896 A1 8/2009 Selevan
 2009/0216103 A1 8/2009 Brister et al.
 2010/0049128 A1 2/2010 McKenzie et al.
 2010/0081993 A1 4/2010 O'Connor
 2010/0137831 A1 6/2010 Tsals
 2010/0152658 A1 6/2010 Hanson et al.
 2010/0162548 A1 7/2010 Leidig
 2010/0168683 A1 * 7/2010 Cabiri A61M 5/14248
 604/263
 2010/0211011 A1 8/2010 Haar
 2010/0234805 A1 9/2010 Kaufmann et al.
 2010/0274202 A1 10/2010 Hyde et al.
 2011/0066131 A1 3/2011 Cabiri
 2011/0125056 A1 5/2011 Merchant
 2011/0144584 A1 6/2011 Wozencroft
 2011/0160655 A1 6/2011 Hanson et al.
 2012/0022344 A1 1/2012 Kube
 2012/0059332 A1 3/2012 Woehr et al.
 2012/0071819 A1 3/2012 Bruggemann et al.
 2013/0060233 A1 * 3/2013 O'Connor A61M 5/158
 604/506
 2013/0110049 A1 5/2013 Cronenberg et al.
 2013/0296792 A1 11/2013 Cabiri
 2013/0310753 A1 11/2013 Cabiri
 2014/0128815 A1 5/2014 Cabiri et al.
 2014/0188073 A1 7/2014 Cabiri et al.
 2014/0194854 A1 7/2014 Tsals
 2015/0057613 A1 * 2/2015 Clemente A61M 5/14566
 604/148
 2016/0058941 A1 * 3/2016 Wu A61M 5/145
 604/136
 2016/0228644 A1 8/2016 Cabiri
 2016/0256352 A1 * 9/2016 Bar-El A61J 1/1406
 2017/0106138 A1 * 4/2017 Cabiri A61M 5/1456
 2017/0224915 A1 * 8/2017 Destefano A61M 5/158

FOREIGN PATENT DOCUMENTS

CN 1636605 A 7/2005
 CN 1747683 A 3/2006
 CN 1863566 A 11/2006
 CN 1929884 A 3/2007
 CN 101001661 A 7/2007
 CN 101090749 A 12/2007
 CN 101239205 A 8/2008
 CN 101460207 A 6/2009

(56)

References Cited

FOREIGN PATENT DOCUMENTS

CN	101687083	A	3/2010
CN	101970033	A	2/2011
CN	201941304	U	8/2011
CN	102186733	A	9/2011
CN	102256657	A	11/2011
DE	1064693	B	9/1959
JP	2004-501721	A	1/2004
JP	2005-270629	A	10/2005
JP	2008-220961	A	9/2008
WO	9513838	A1	5/1995
WO	9609083	A1	3/1996
WO	9959665	A1	11/1999
WO	0189607	A2	11/2001
WO	0202165	A2	1/2002
WO	2004032990	A2	4/2004
WO	2005018703	A2	3/2005
WO	2007056504	A1	5/2007
WO	2008076459	A1	6/2008
WO	2008078318	A2	7/2008
WO	2009044401	A2	4/2009
WO	2009046989	A2	4/2009
WO	2009125398	A2	10/2009
WO	2010078227	A1	7/2010
WO	2011/034799	A1	3/2011
WO	2011075105	A1	6/2011
WO	2011090955	A1	7/2011
WO	2011156373	A1	12/2011
WO	2012032411	A2	3/2012
WO	2012160157	A1	11/2012
WO	2013148435	A1	10/2013
WO	2013/173092	A1	11/2013
WO	2014/070453	A1	5/2014
WO	2014/107408	A1	7/2014

* cited by examiner

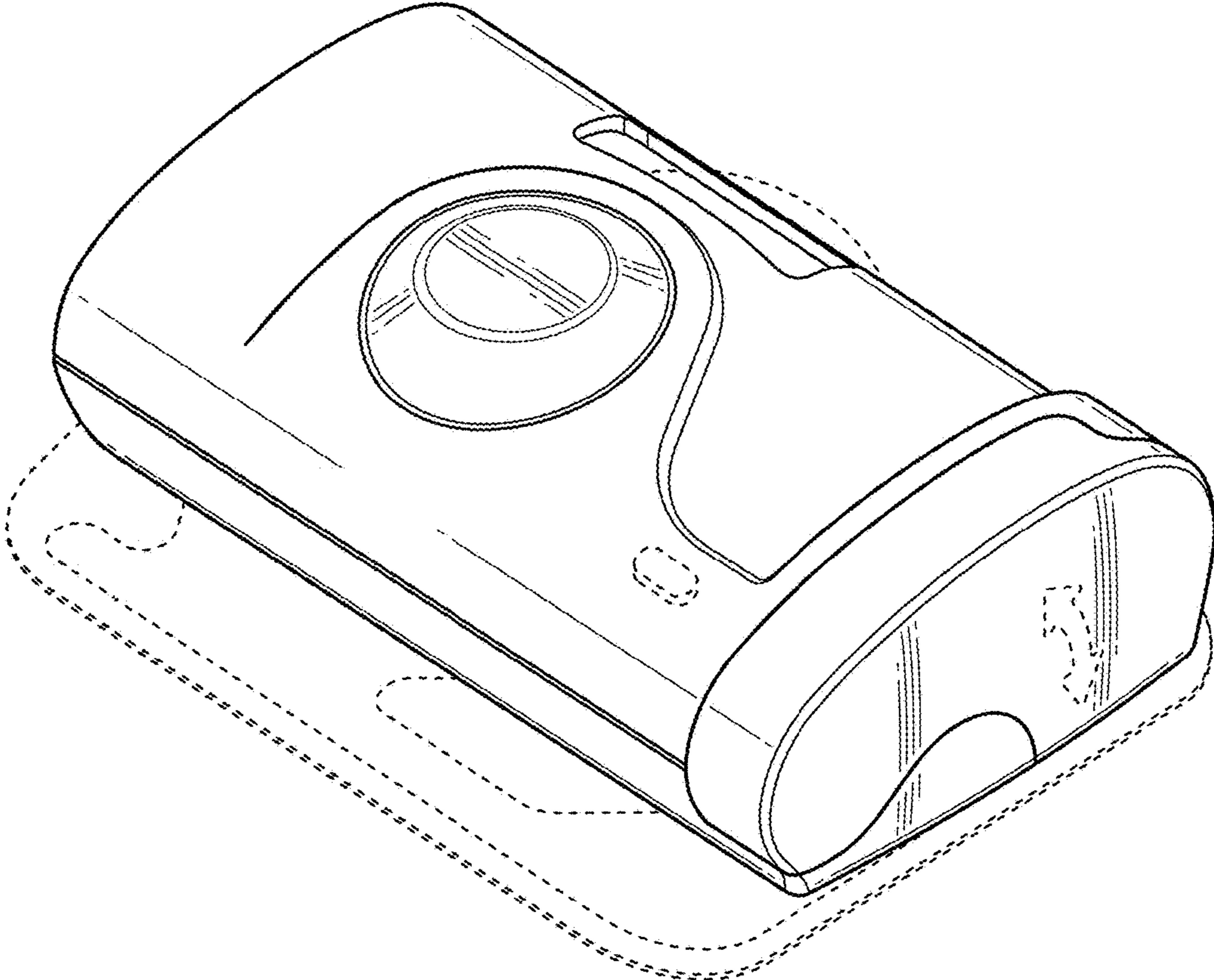


FIG. 1

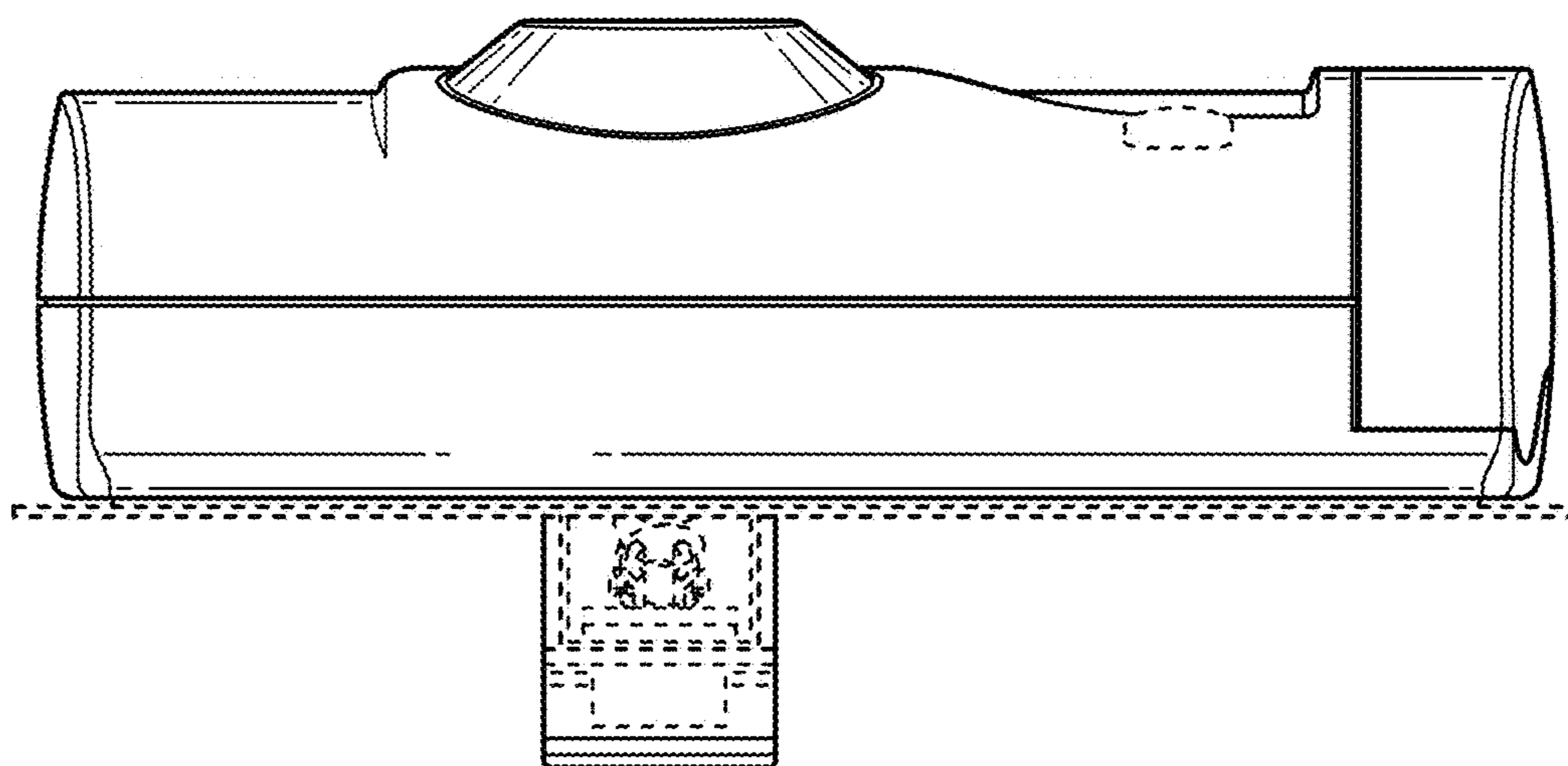


FIG. 2

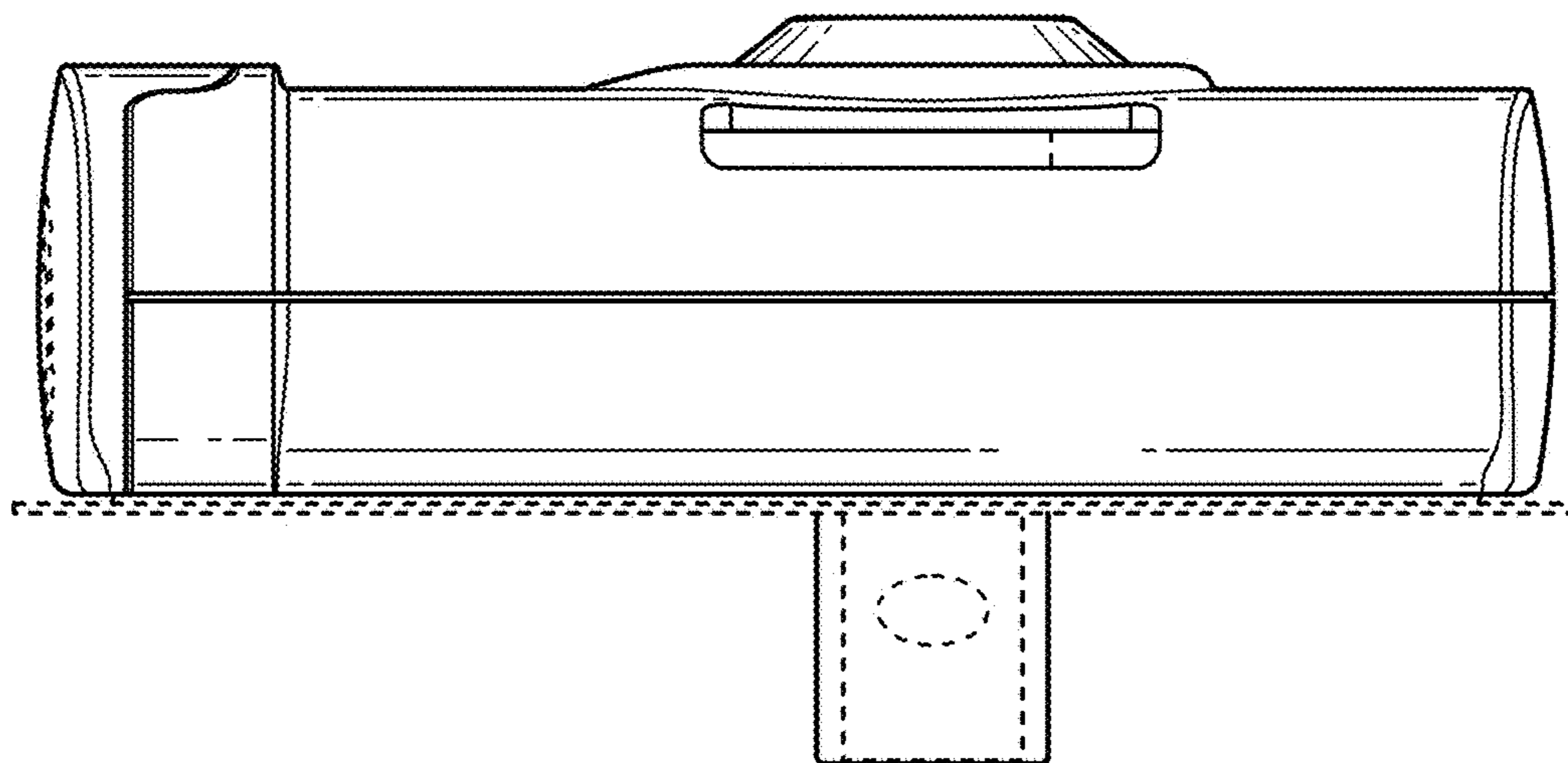


FIG. 3

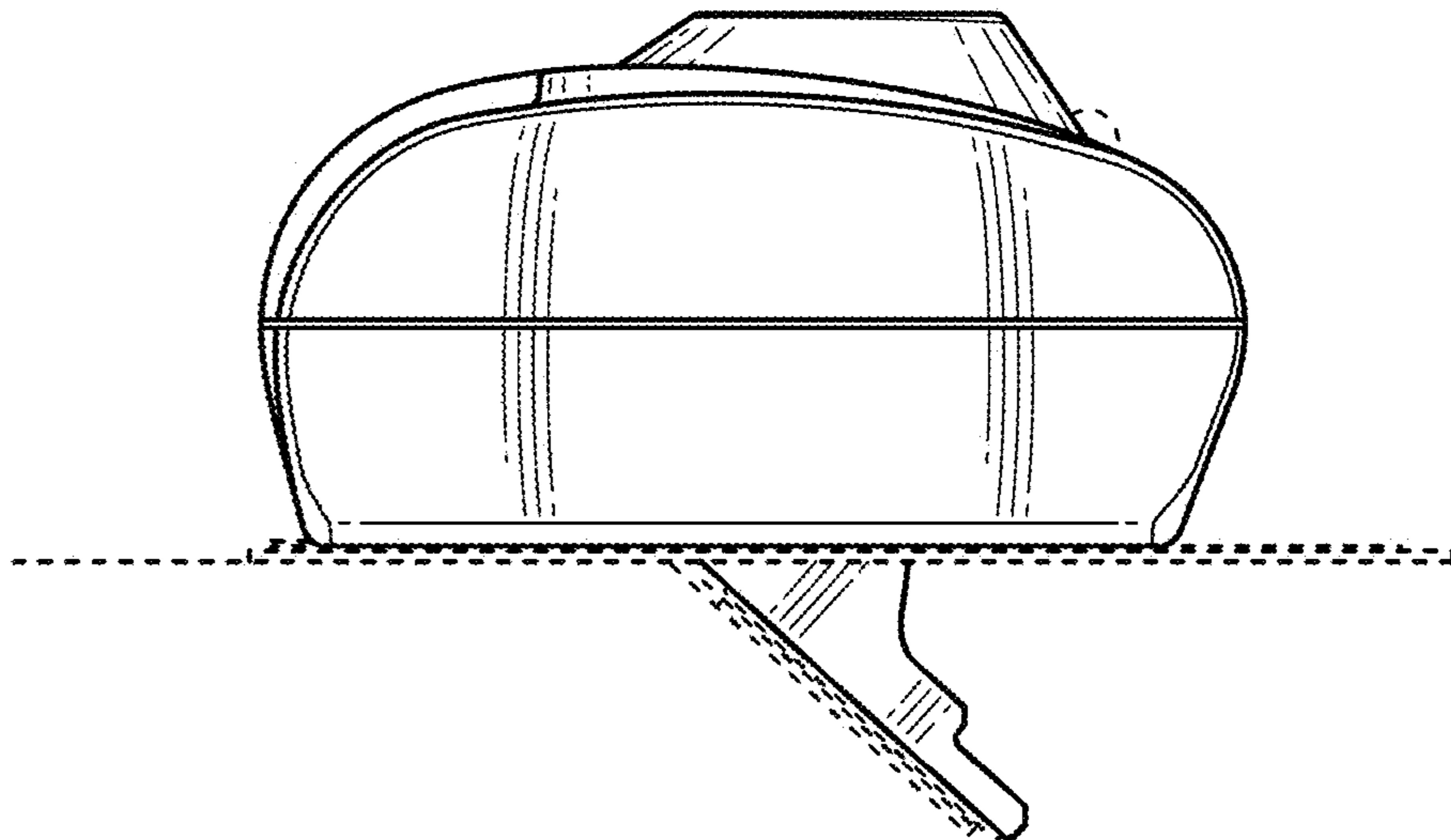


FIG. 4

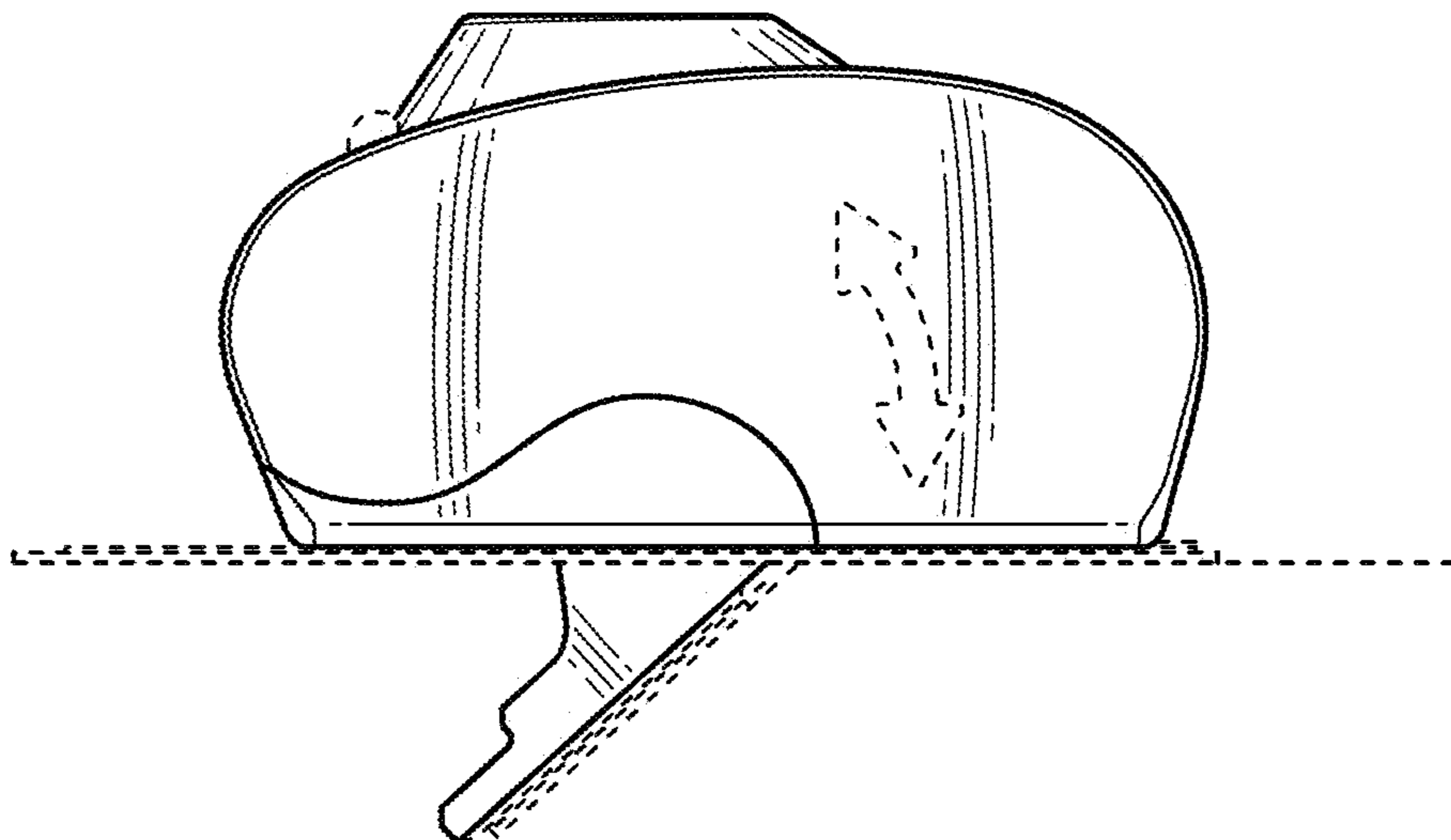


FIG. 5

FIG. 6

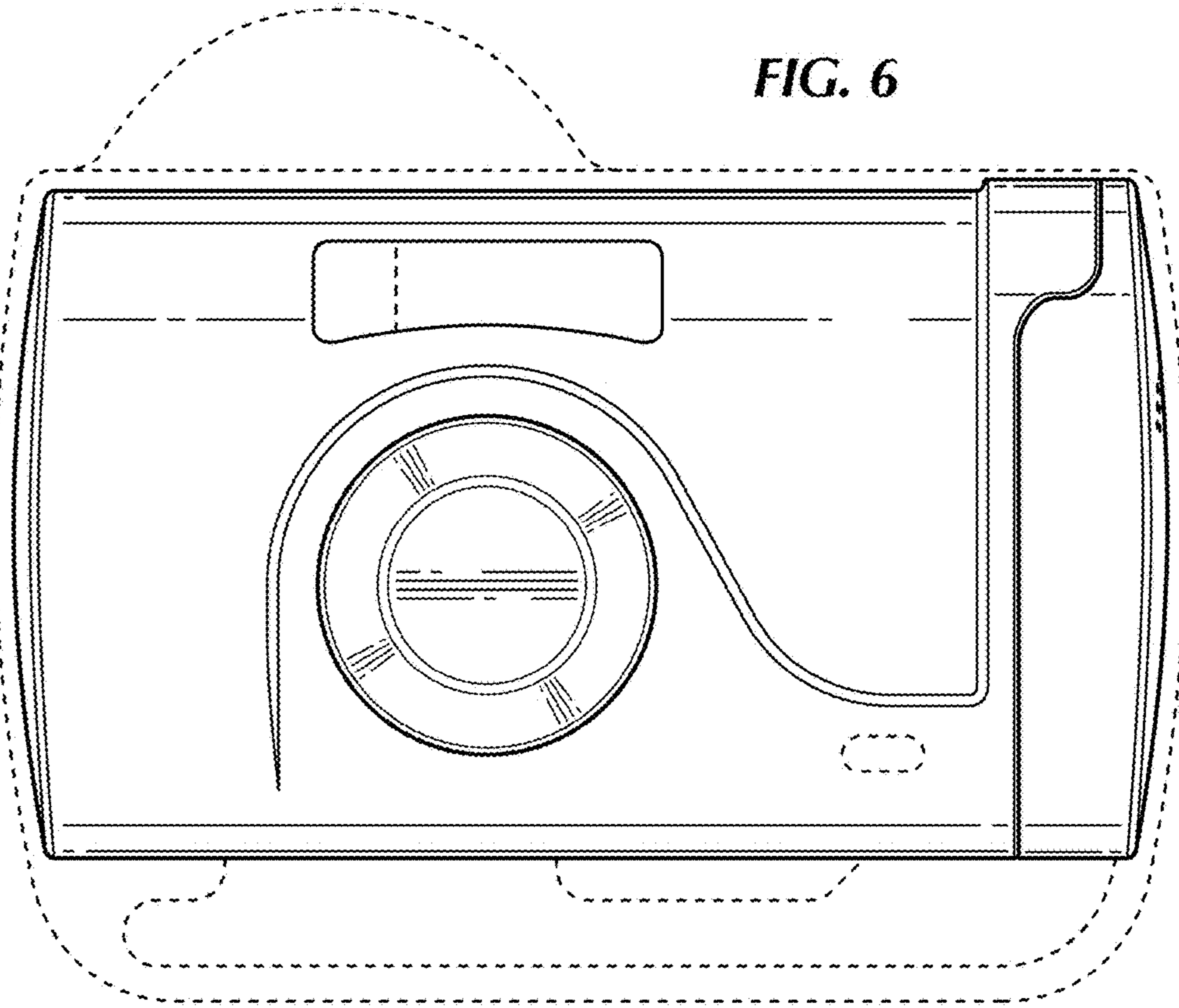


FIG. 7

