



US00D810277S

(12) **United States Design Patent** (10) **Patent No.:** **US D810,277 S**
Amarasinghe et al. (45) **Date of Patent:** **** Feb. 13, 2018**

(54) **HEADGEAR FOR PATIENT INTERFACE**

(71) Applicant: **ResMed Limited**, Bella Vista, New South Wales (AU)

(72) Inventors: **Amal Shirley Amarasinghe**, Sydney (AU); **Christopher Scott Skipper**, Sydney (AU); **Justin John Formica**, Sydney (AU); **Jessica Lea Dunn**, Sydney (AU)

(73) Assignee: **ResMed Limited**, Bella Vista (AU)

(**) Term: **15 Years**

(21) Appl. No.: **29/609,731**

(22) Filed: **Jul. 5, 2017**

Related U.S. Application Data

(60) Continuation of application No. 29/577,378, filed on Sep. 13, 2016, now Pat. No. Des. 795,417, which is (Continued)

(51) **LOC (11) Cl.** **29-02**

(52) **U.S. Cl.**
USPC **D24/110.1**

(58) **Field of Classification Search**
USPC D24/110-110.5, 127; D29/108, 122 (Continued)

(56) **References Cited**

U.S. PATENT DOCUMENTS

6,422,238 B1 * 7/2002 Lithgow A61M 16/0683
128/205.25
6,679,261 B2 * 1/2004 Lithgow A61M 16/06
128/205.25

(Continued)

OTHER PUBLICATIONS

U.S. Appl. No. 29/577,378, filed Sep. 13, 2016 of Amarasinghe et al. for "Frame Module for Patient Interface," (parent).

Primary Examiner — Barbara Fox

Assistant Examiner — Lilyana Bekic

(74) *Attorney, Agent, or Firm* — Nixon & Vanderhye P.C.

(57) **CLAIM**

The ornamental design for a headgear for patient interface, as shown and described.

DESCRIPTION

FIG. 1 is a front perspective view of a headgear for patient interface according to a first embodiment of our new ornamental design;

FIG. 2 is a front view thereof;

FIG. 3 is a rear view thereof;

FIG. 4 is a top view thereof;

FIG. 5 is a bottom view thereof;

FIG. 6 is a right side view thereof;

FIG. 7 is a left side view thereof;

FIG. 8 is a rear perspective view of a headgear for patient interface according to a second embodiment of our new ornamental design;

FIG. 9 is a rear view thereof;

FIG. 10 is a front view thereof;

FIG. 11 is a top view thereof;

FIG. 12 is a bottom view thereof;

FIG. 13 is a right side view thereof;

FIG. 14 is a left side view thereof;

FIG. 15 is a front perspective view of a headgear for patient interface according to an third embodiment of our new ornamental design;

FIG. 16 is a front view thereof;

FIG. 17 is a rear view thereof;

FIG. 18 is a top view thereof;

FIG. 19 is a bottom view thereof;

FIG. 20 is a right side view thereof;

FIG. 21 is a left side view thereof;

FIG. 22 is a rear perspective view of a headgear for patient interface according to a fourth embodiment of our new ornamental design;

FIG. 23 is a rear view thereof;

FIG. 24 is a front view thereof;

FIG. 25 is a top view thereof;

FIG. 26 is a bottom view thereof;

(Continued)

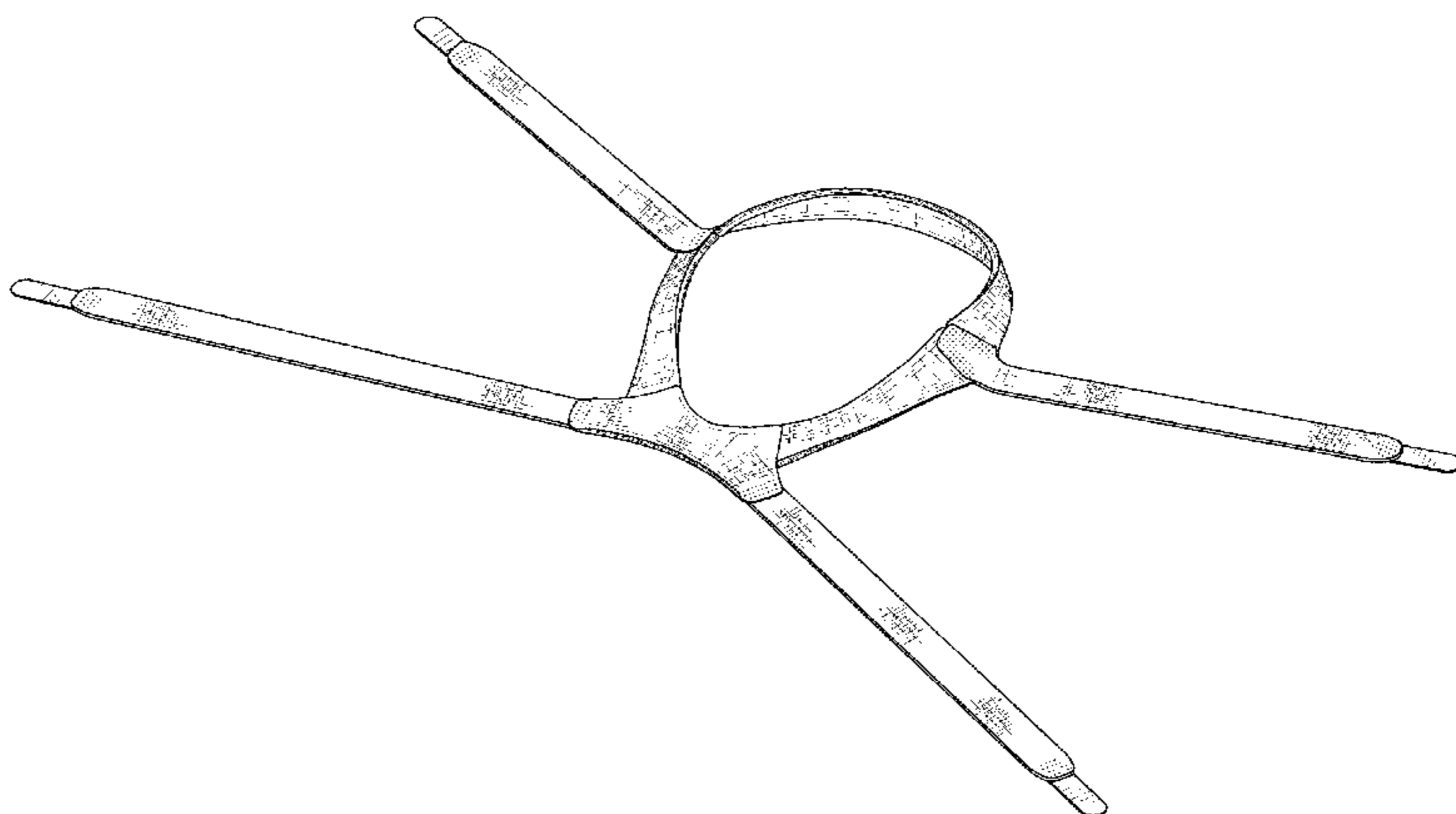
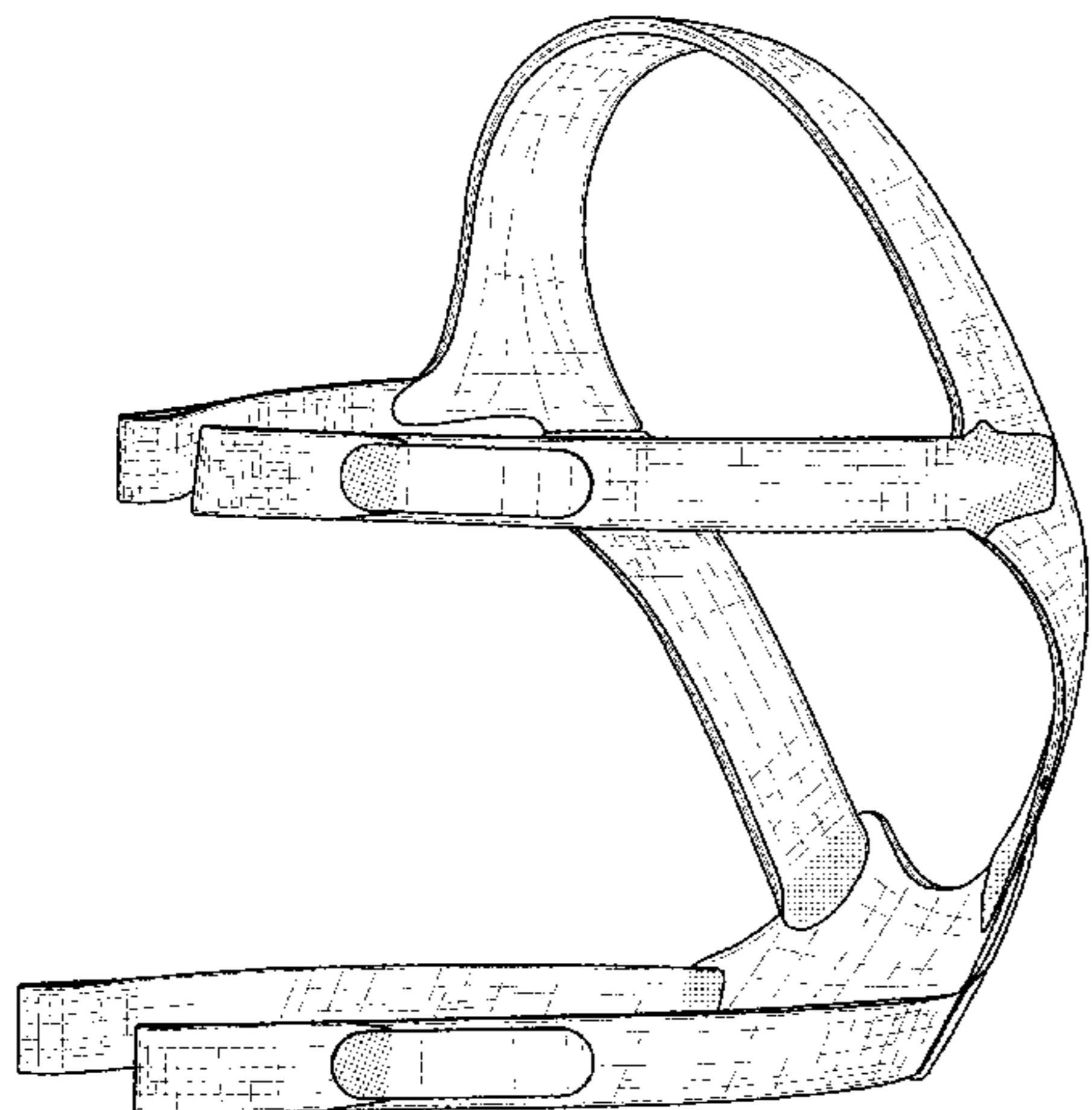


FIG. 27 is a right side view thereof; and, FIG. 28 is a left side view thereof. Line shading and hatched lines have been used in the drawings to indicate a contrast in appearance as shown.

1 Claim, 24 Drawing Sheets

Related U.S. Application Data

a division of application No. 29/538,127, filed on Sep. 1, 2015, now Pat. No. Des. 771,241, which is a division of application No. 29/451,049, filed on Mar. 27, 2013, now Pat. No. Des. 751,188.

(58) **Field of Classification Search**

CPC A61M 16/0622; A61M 16/0616; A61M 16/0633; A61M 16/06; A61M 16/0683; A61M 16/0605; A61M 16/0644

See application file for complete search history.

(56) **References Cited**

U.S. PATENT DOCUMENTS

7,188,620 B2 * 3/2007 Amarasinghe A61M 16/0683
128/201.22
8,336,547 B1 * 12/2012 Ritchie A62B 18/025
128/200.24
D693,459 S 11/2013 Prentice et al.
D693,460 S 11/2013 Rothermel et al.
D693,462 S 11/2013 Rothermel et al.
D695,887 S 12/2013 Ozolins et al.
D706,413 S 6/2014 Veliss et al.
8,856,975 B2 * 10/2014 Lang A61M 16/0683
128/207.11
D740,934 S * 10/2015 Formica D24/110.1
D751,188 S 3/2016 Amarasinghe et al.
D764,049 S * 8/2016 Cullen D24/110.4
D769,440 S * 10/2016 Amarasinghe D24/110.4

D771,241 S 11/2016 Skipper et al.
9,492,627 B2 * 11/2016 Amarasinghe A61M 16/0683
9,539,403 B2 * 1/2017 Eves A61M 16/06
D782,030 S * 3/2017 Prentice D24/110.4
D782,655 S * 3/2017 Blanch D24/110.4
D784,515 S * 4/2017 Prentice D24/110.1
D797,277 S * 9/2017 Blanch D24/110
2002/0108613 A1 * 8/2002 Gunaratnam A61M 16/06
128/205.25
2004/0112377 A1 * 6/2004 Amarasinghe A61M 16/0683
128/201.22
2006/0225740 A1 10/2006 Eaton et al.
2008/0110466 A1 * 5/2008 Armitstead A61M 16/0683
128/207.11
2011/0197341 A1 * 8/2011 Formica A61M 16/0683
2/209.3
2012/0204881 A1 * 8/2012 Davidson A61M 16/06
128/206.25
2013/0008448 A1 1/2013 Todd
2013/0228173 A1 9/2013 Busch
2013/0324788 A1 12/2013 Holley et al.
2014/0026888 A1 1/2014 Matula et al.
2014/0083429 A1 3/2014 Rothermel et al.
2014/0150800 A1 6/2014 Zeijlstra et al.
2014/0190486 A1 * 7/2014 Dunn A61M 16/0683
128/205.25
2014/0261422 A1 * 9/2014 Lang A61M 16/0051
128/204.21
2014/0261427 A1 9/2014 Foote
2014/0261435 A1 9/2014 Rothermel
2014/0290663 A1 10/2014 Rothermel
2014/0311496 A1 10/2014 Rothermel
2015/0000671 A1 1/2015 Frerichs et al.
2015/0128945 A1 * 5/2015 Nickol A61M 16/0622
128/204.15
2016/0067441 A1 * 3/2016 Bearne A61M 16/0683
128/205.25
2016/0220781 A1 * 8/2016 Arrowsmith A61M 16/208
2016/0325067 A1 * 11/2016 Harwood A61M 16/0683
2016/0354572 A1 * 12/2016 Lim A61M 16/0616
2017/0065786 A1 * 3/2017 Stephenson A61M 16/06

* cited by examiner

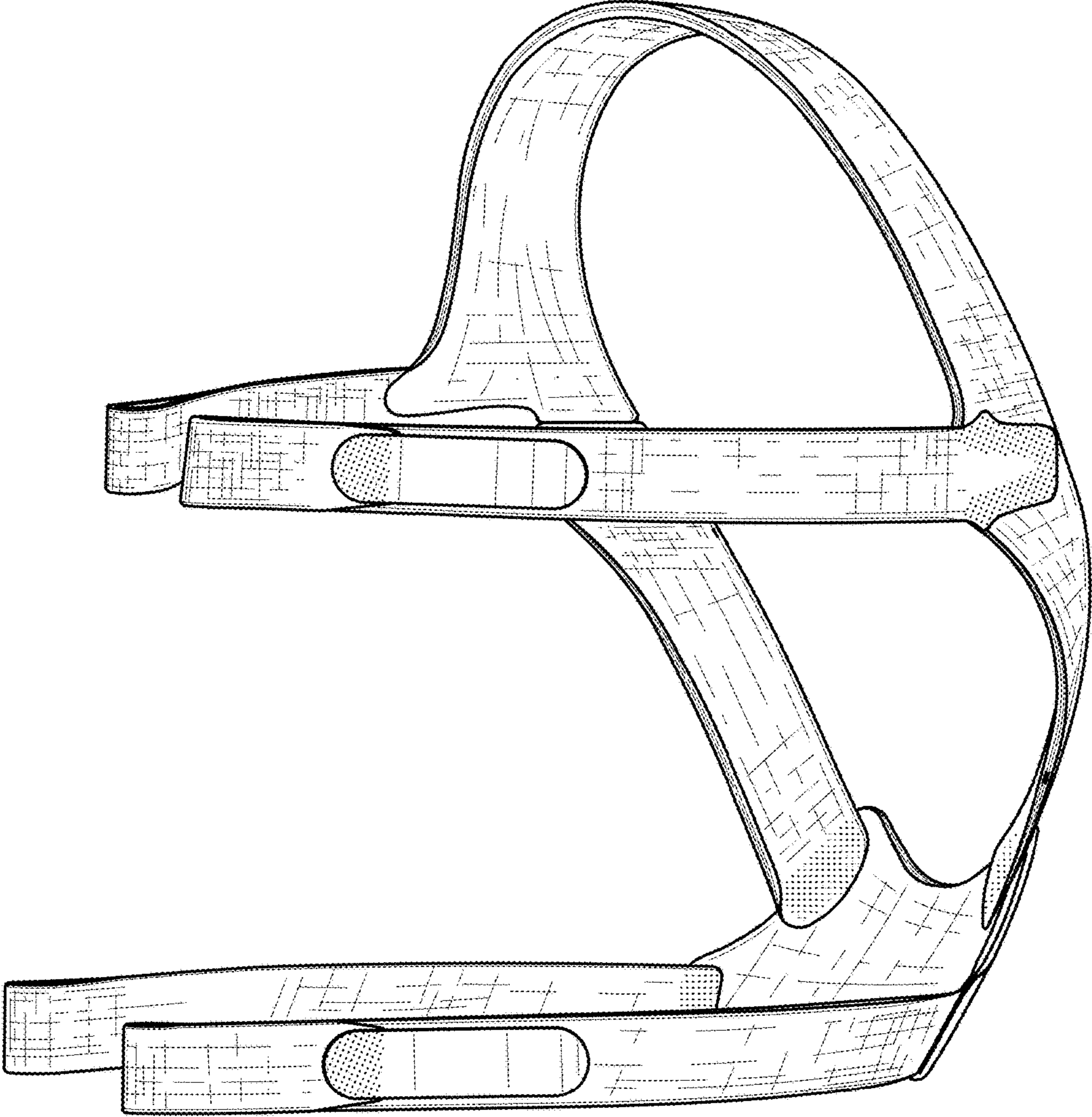


FIG. 1

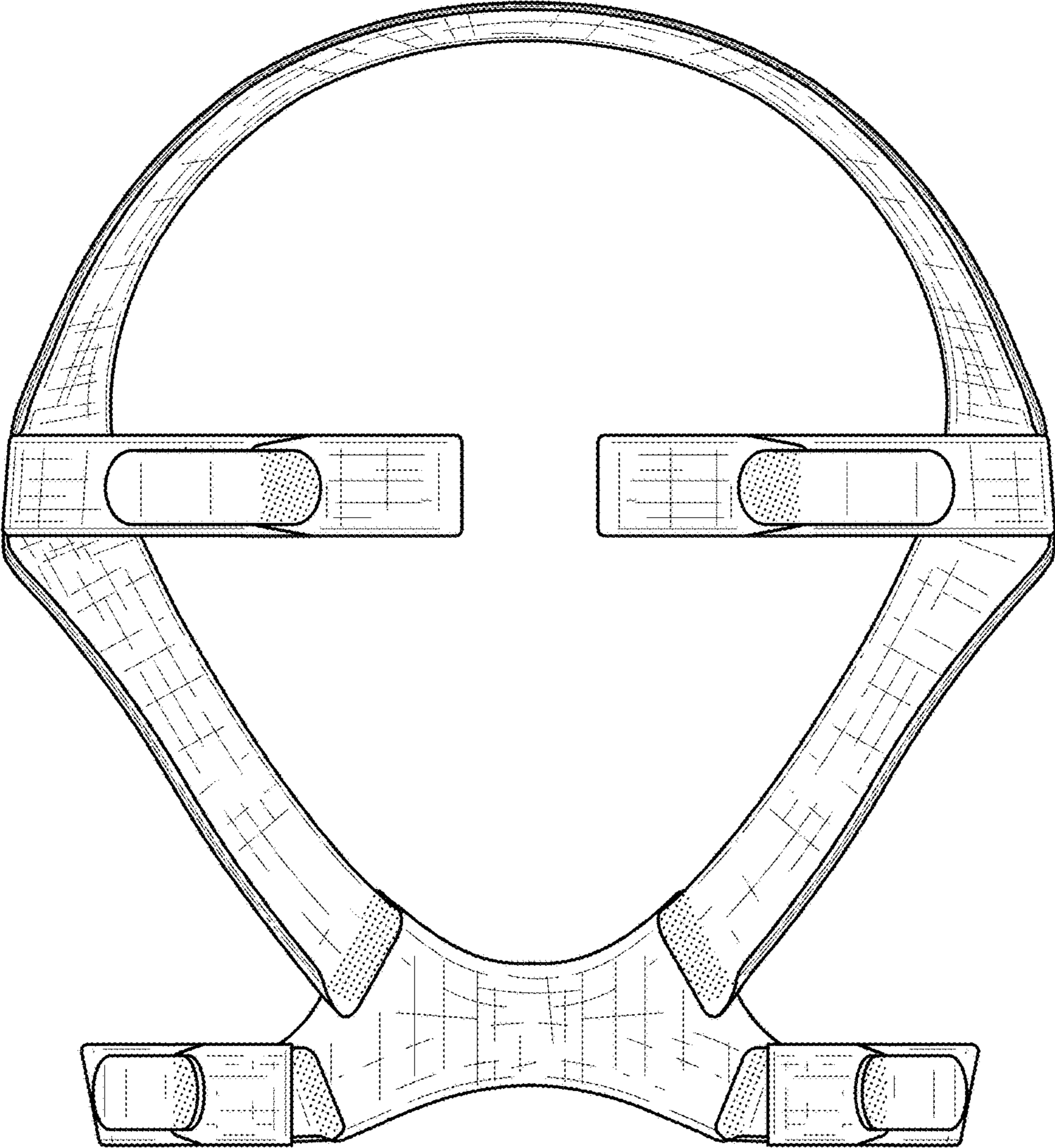


FIG. 2

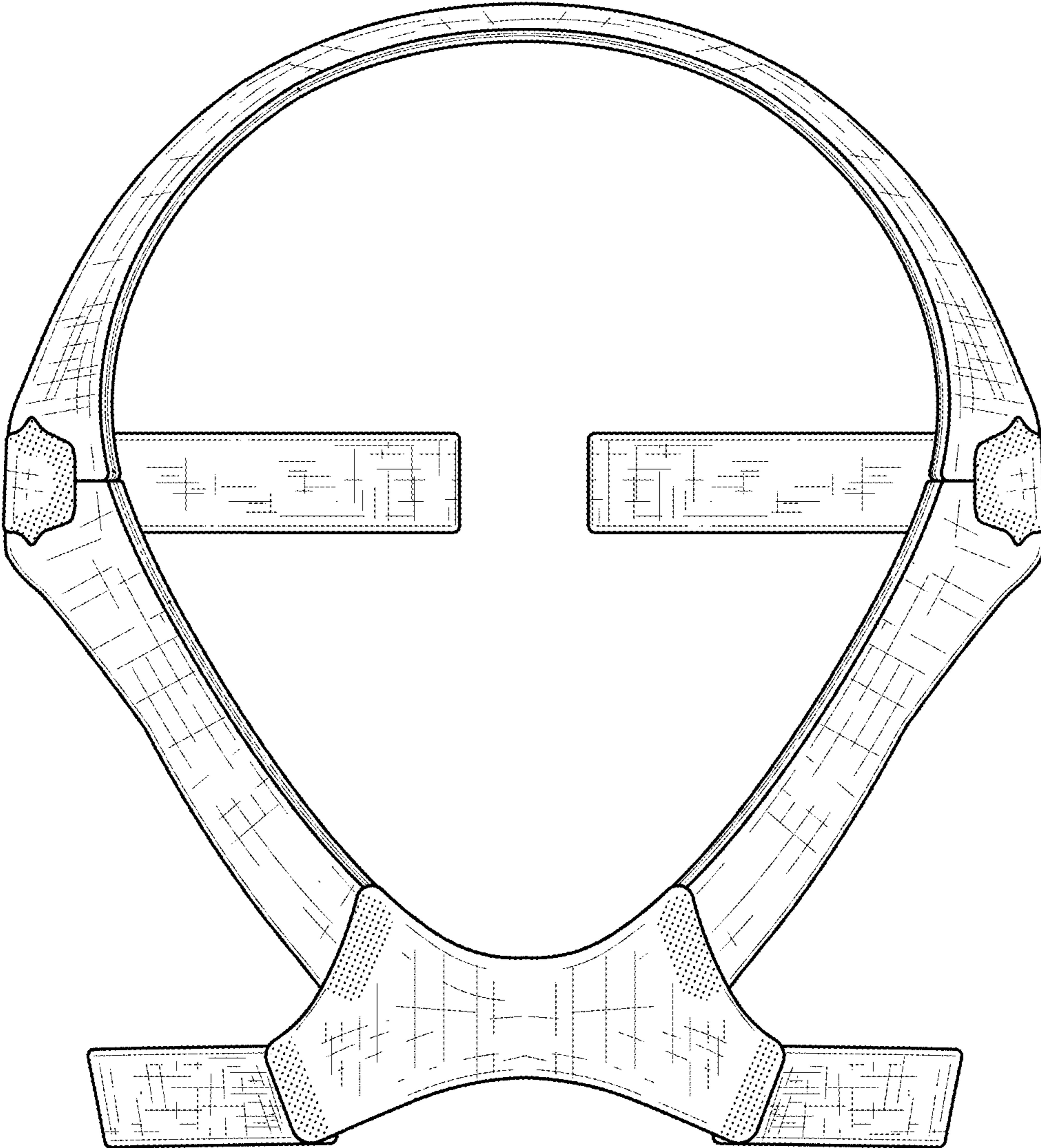


FIG. 3

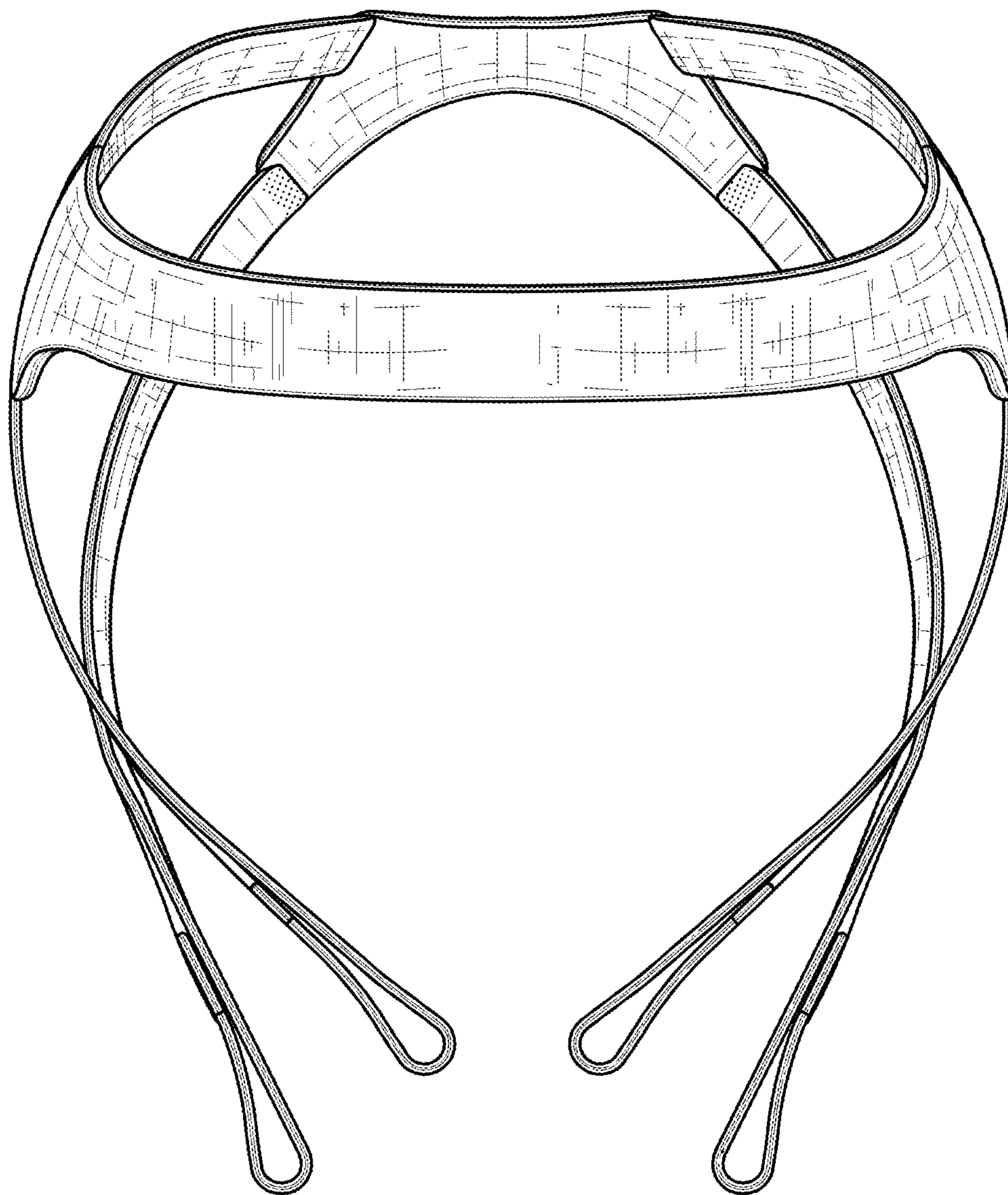


FIG. 4

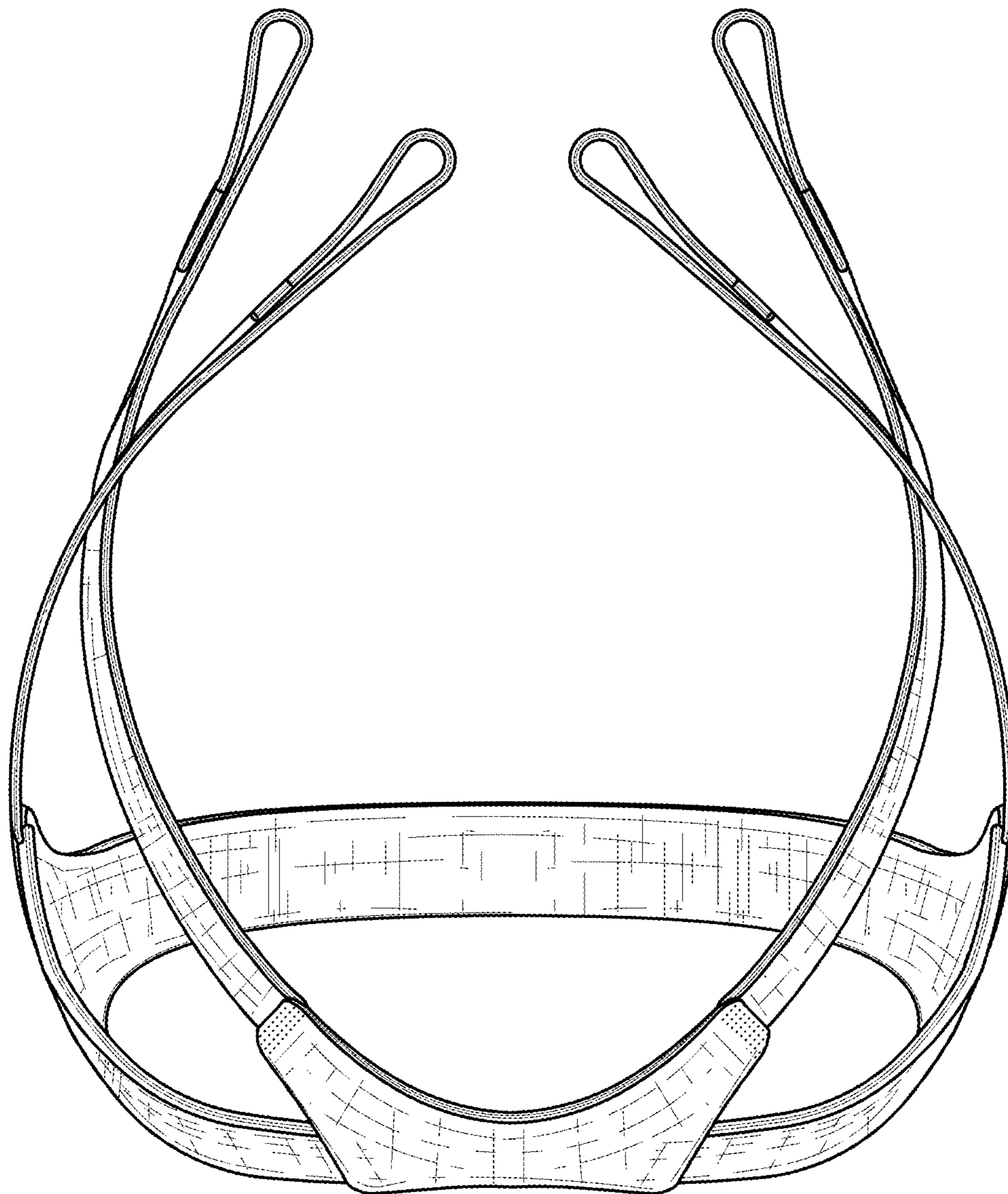


FIG. 5

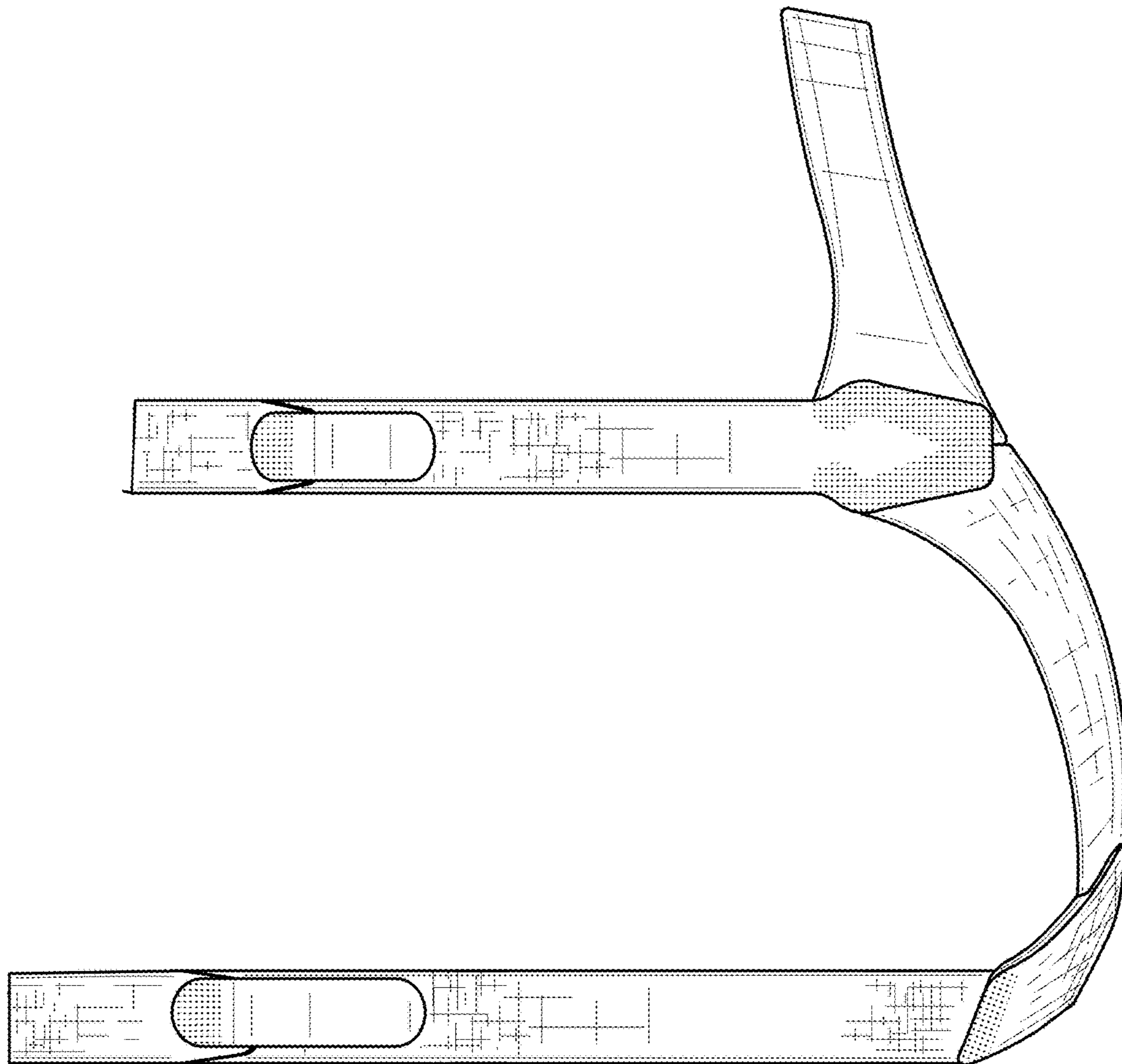


FIG. 6

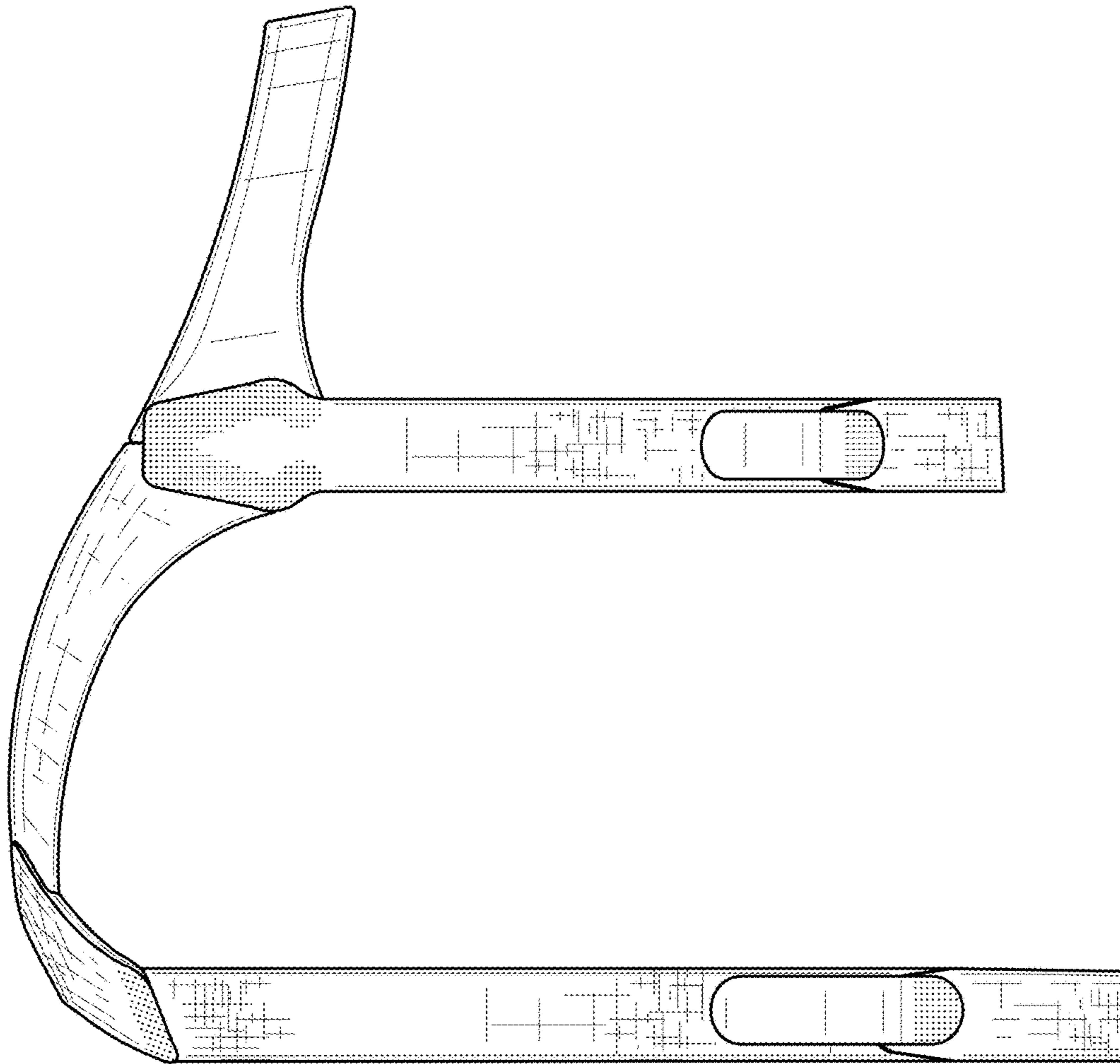


FIG. 7

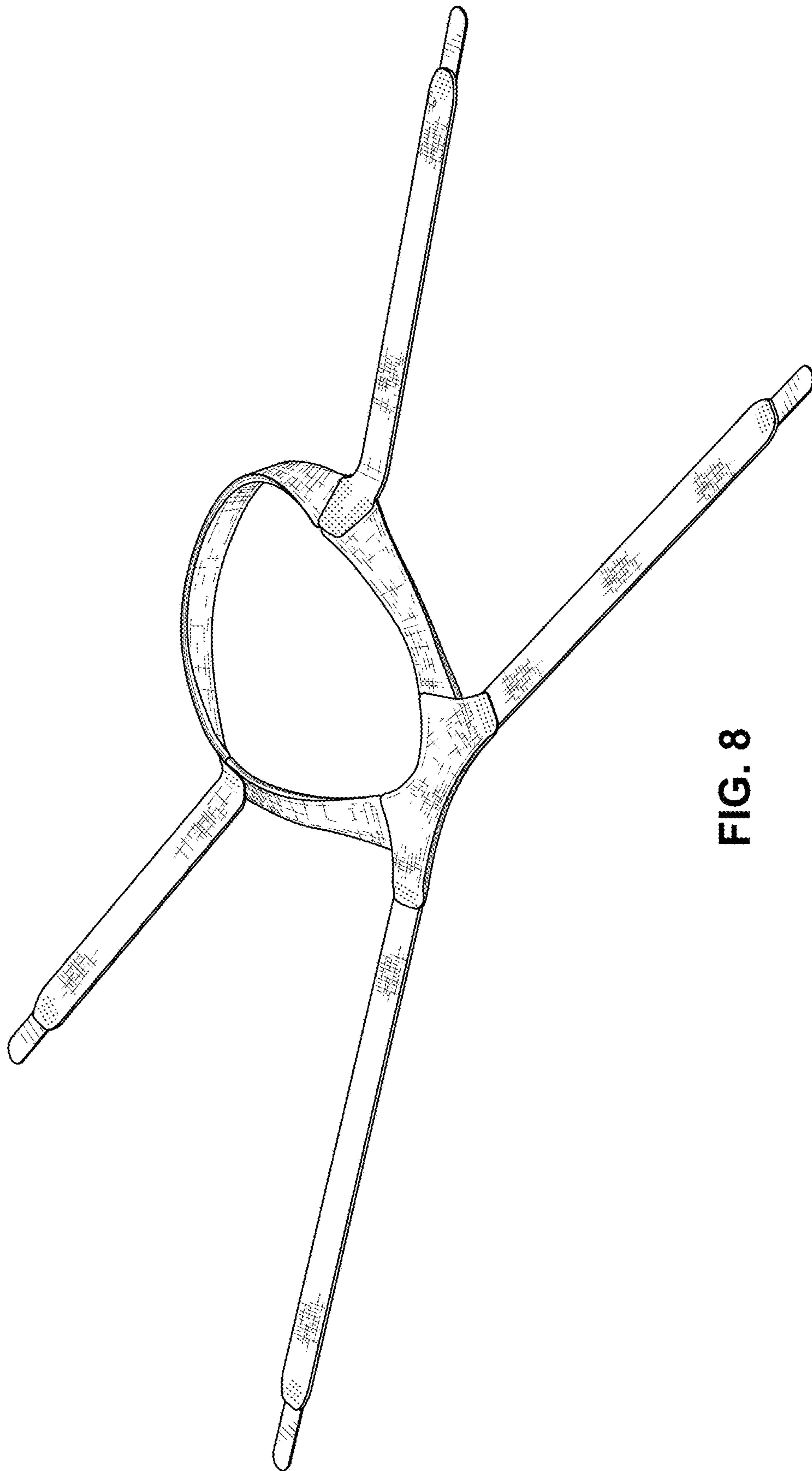


FIG. 8

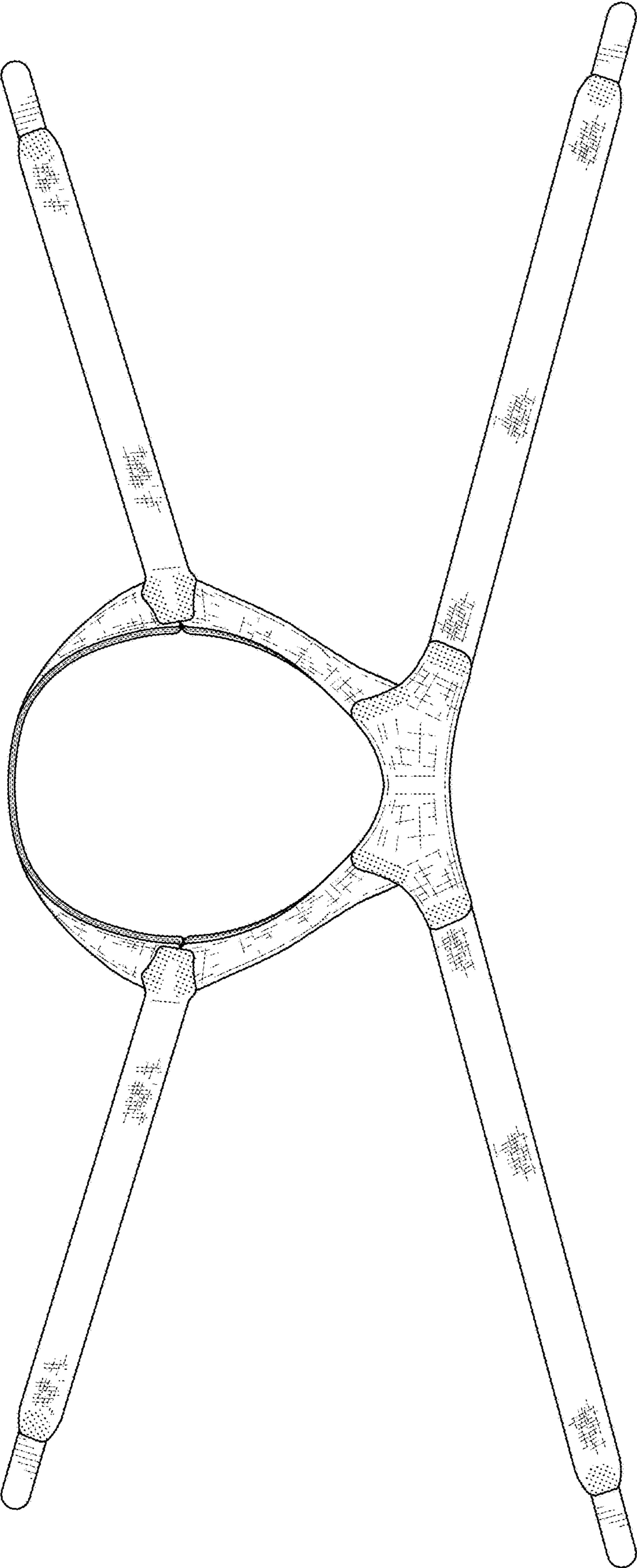


FIG. 9

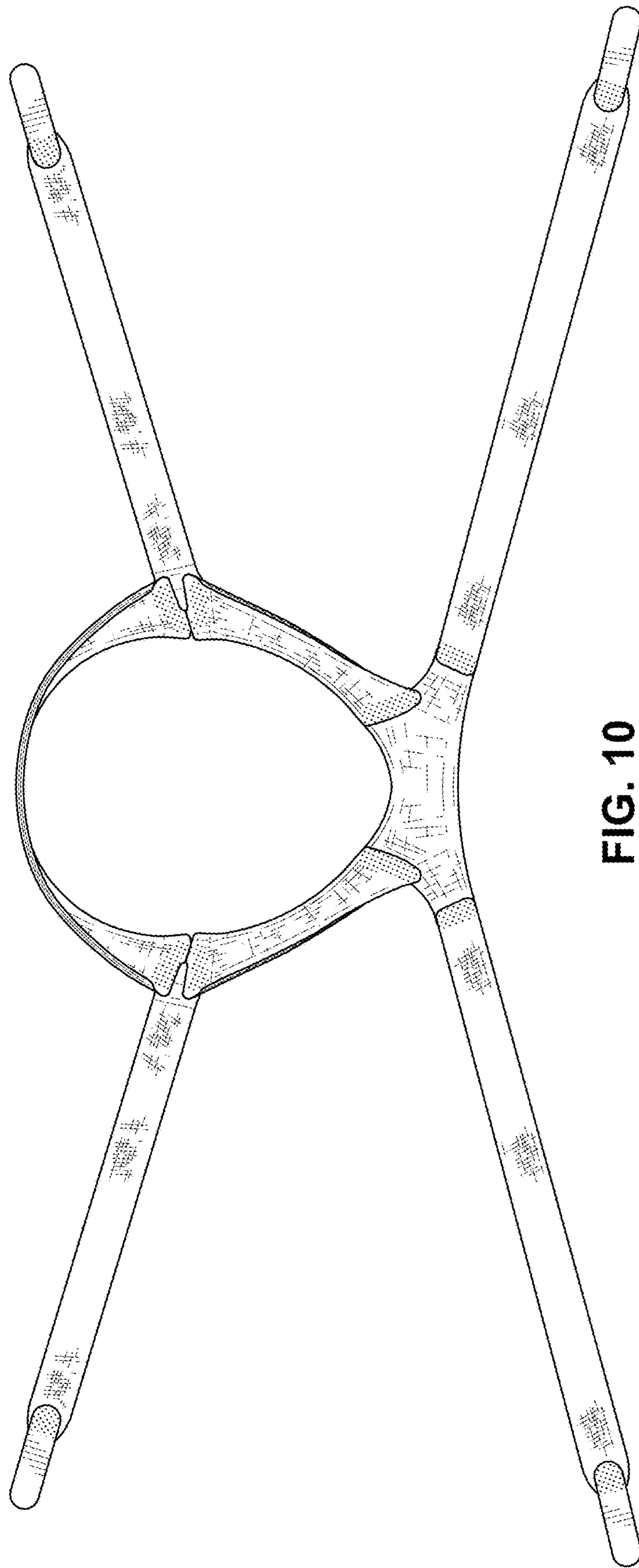


FIG. 10

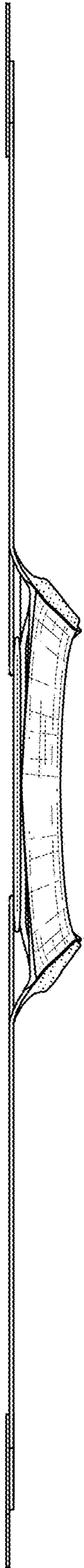


FIG. 11

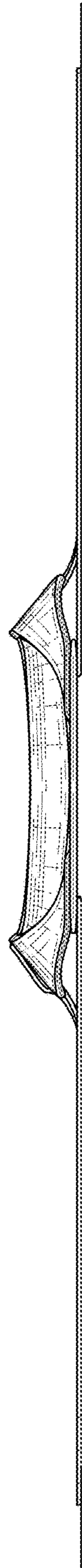


FIG. 12



FIG. 13



FIG. 14

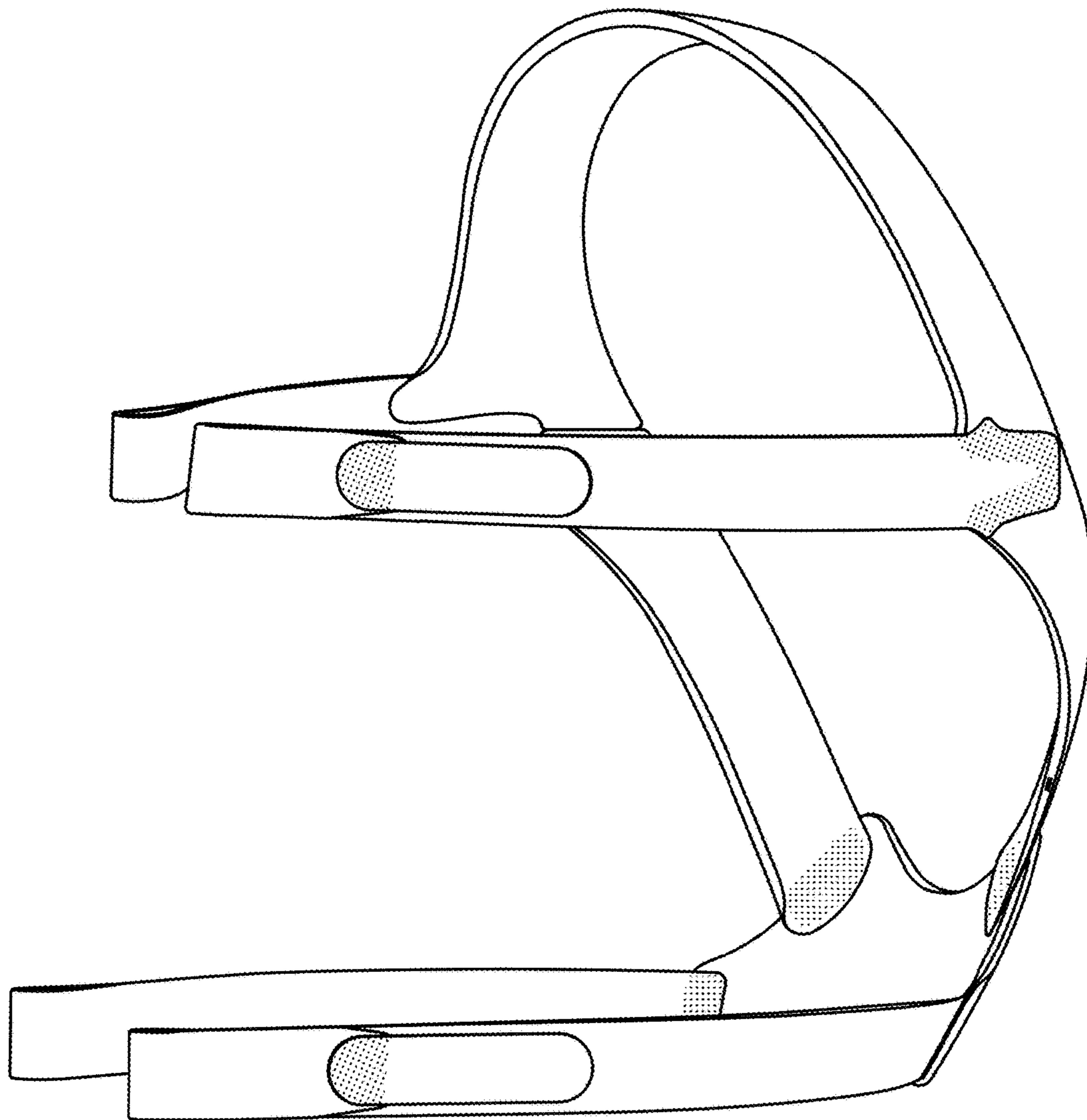


FIG. 15

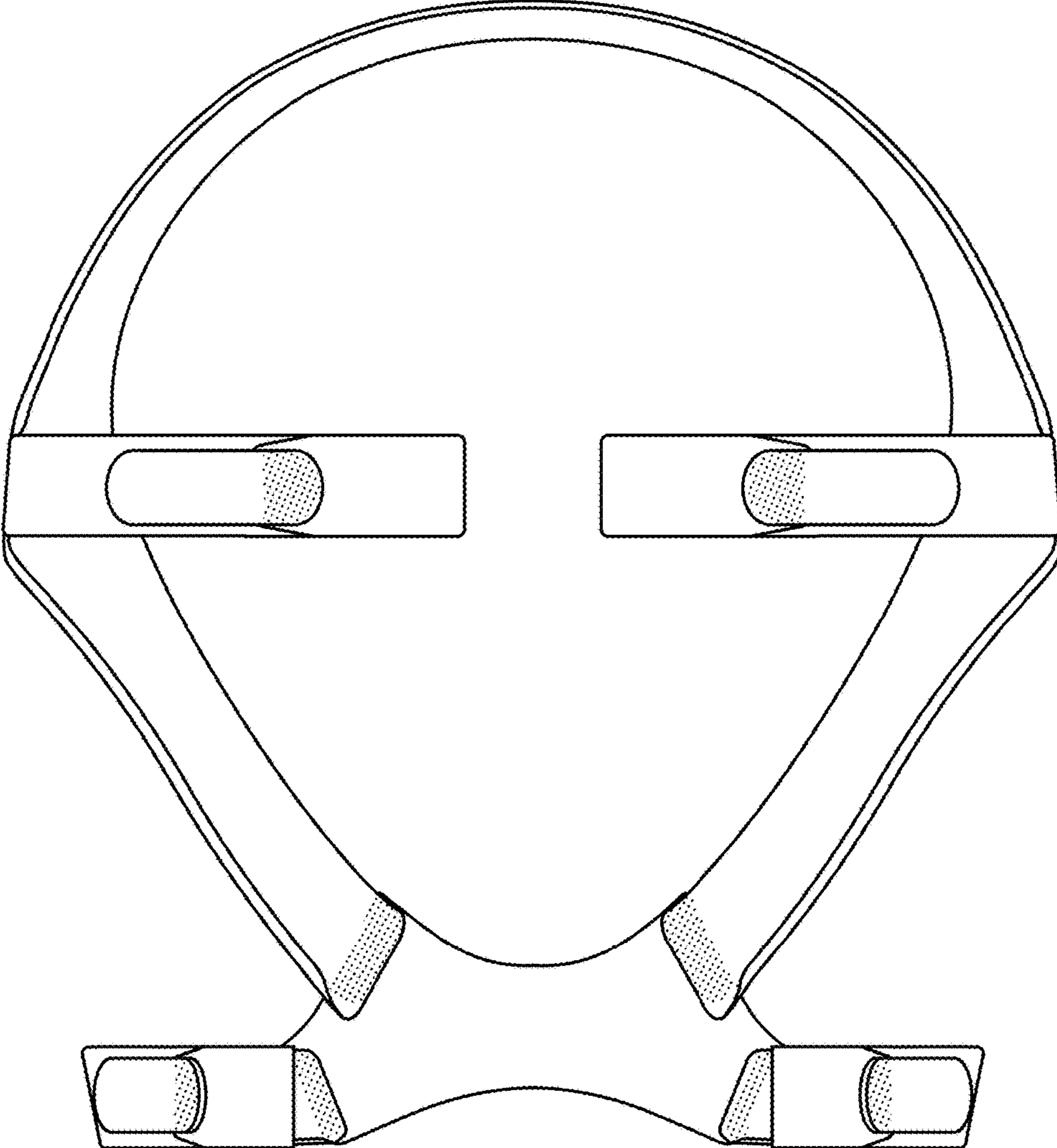


FIG. 16

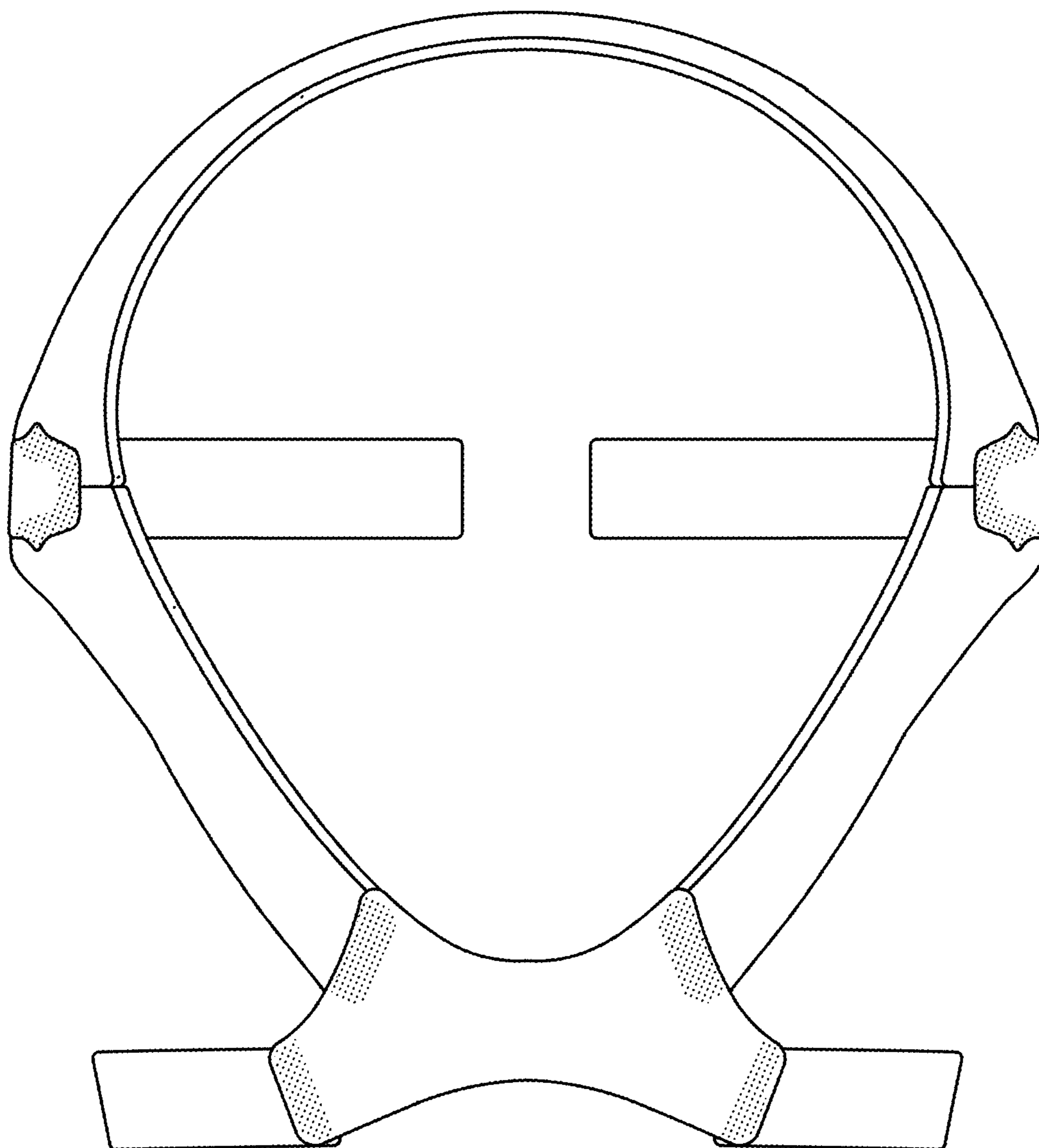


FIG. 17

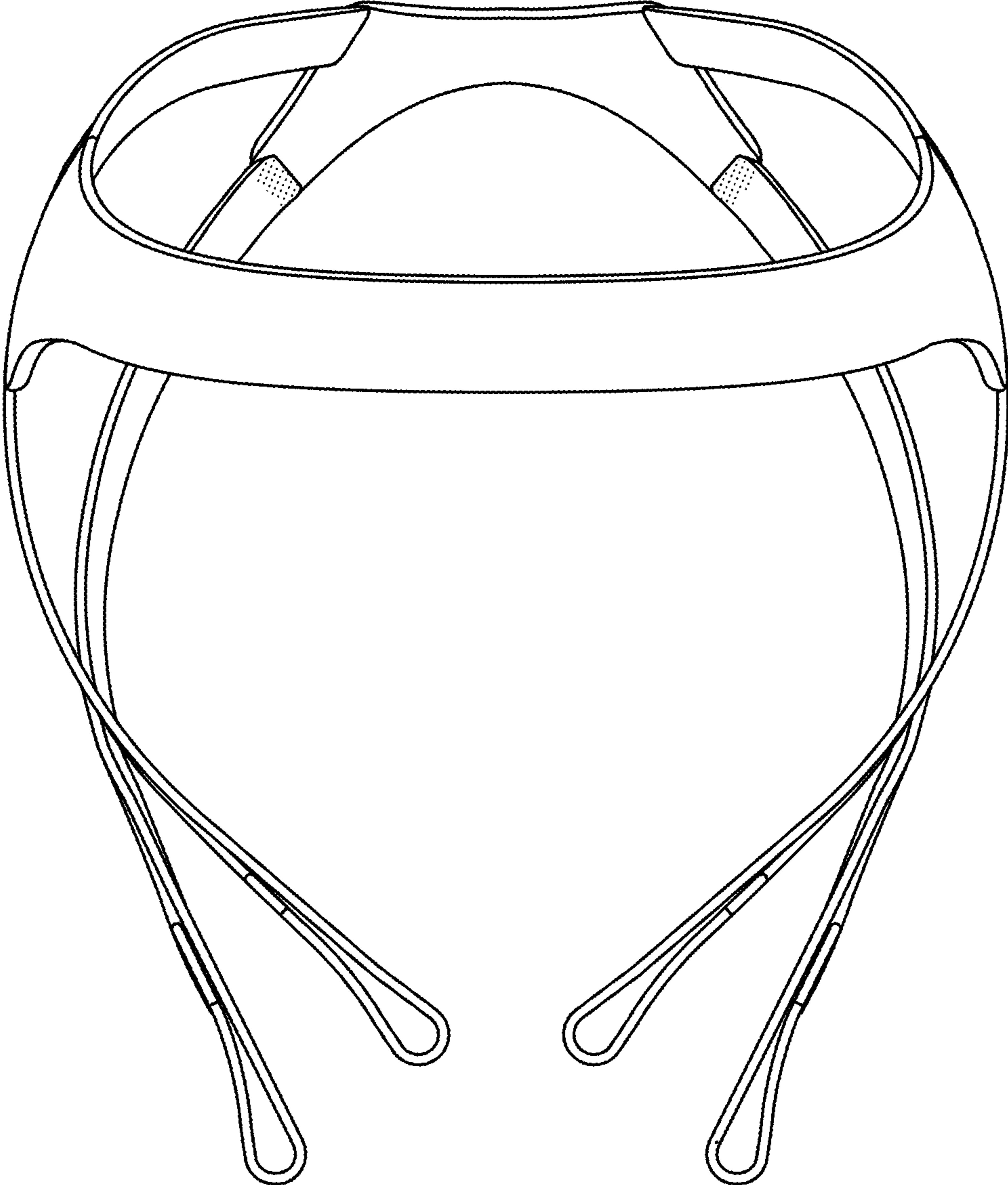


FIG. 18

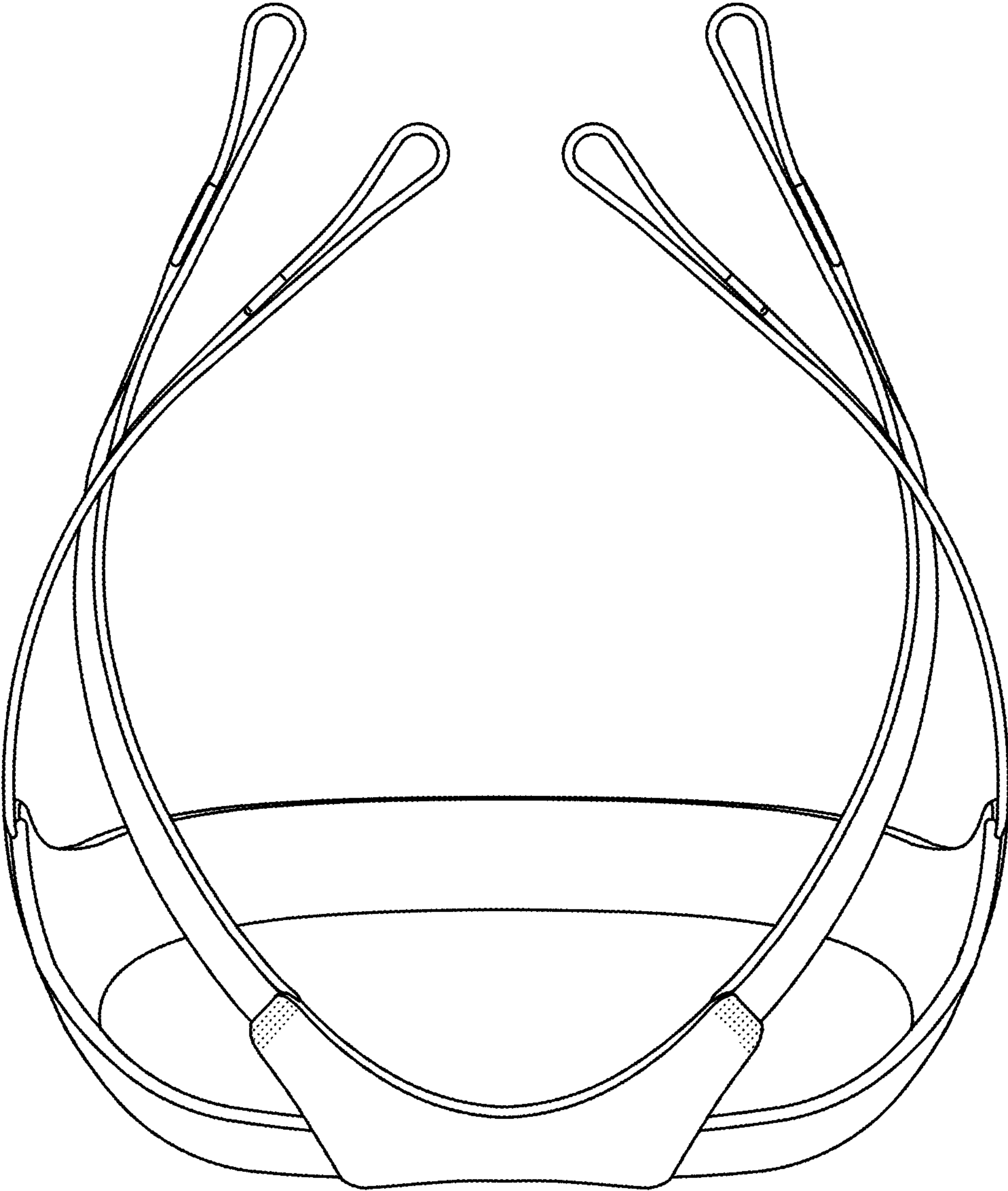


FIG. 19

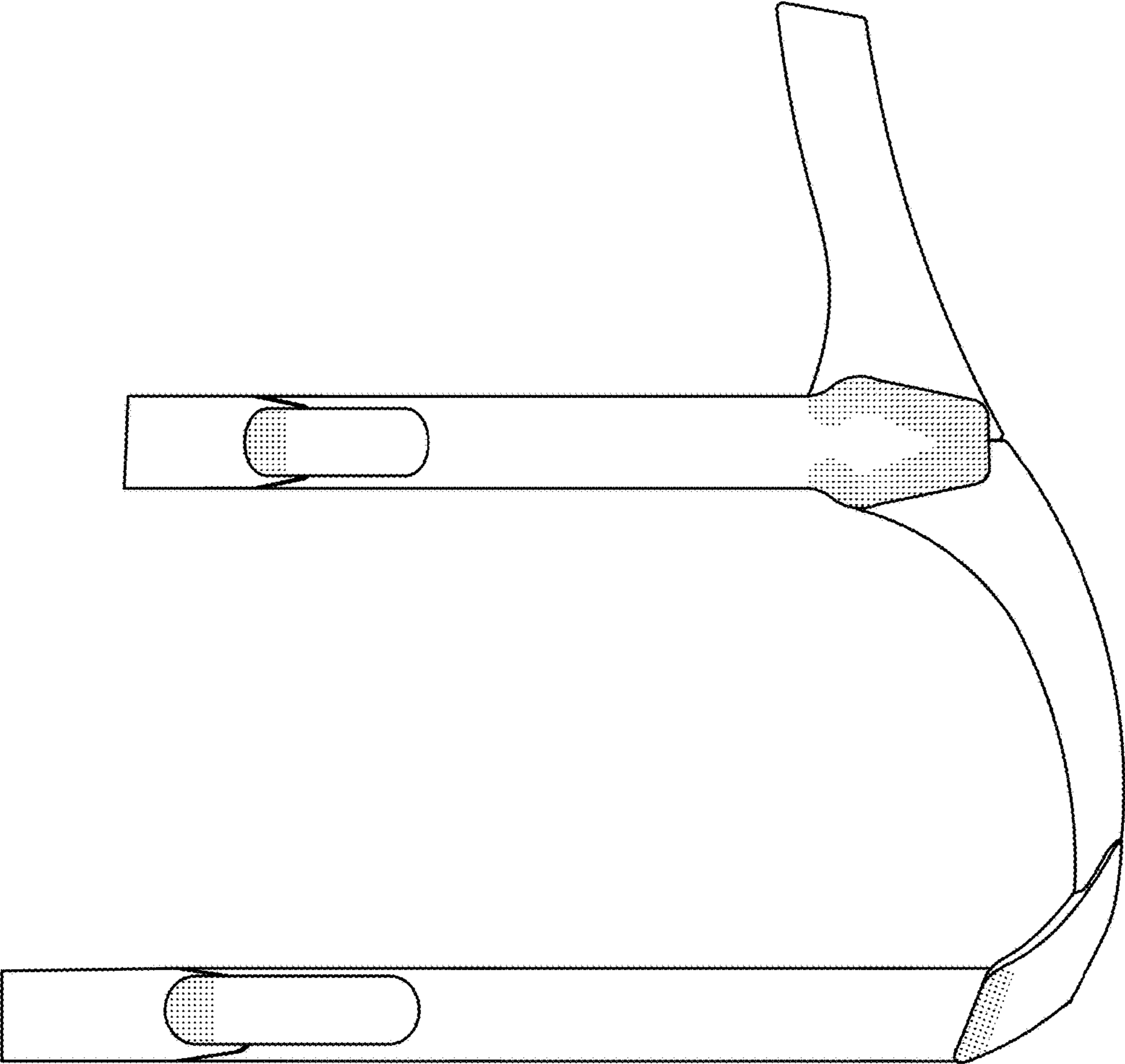


FIG. 20

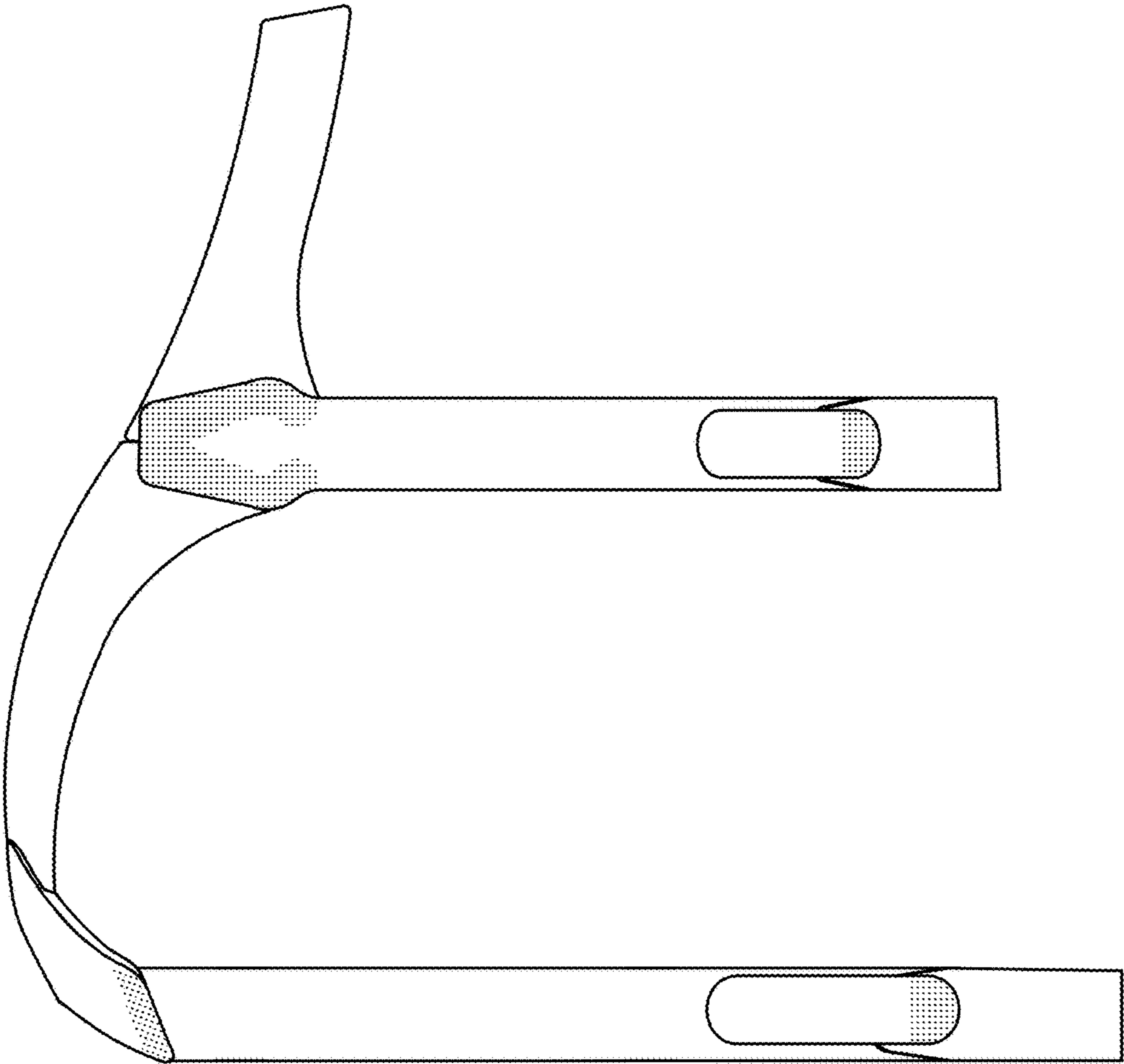


FIG. 21

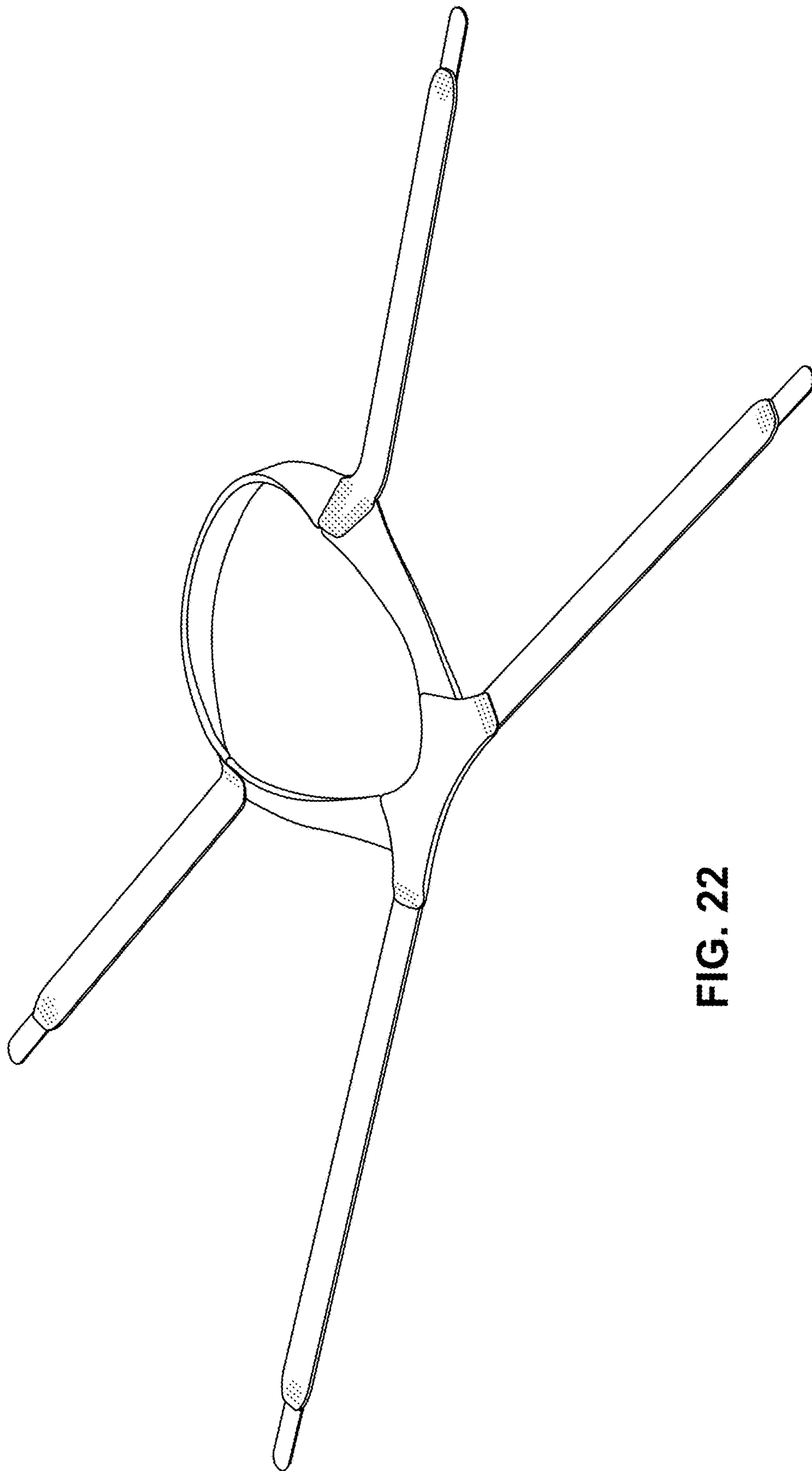


FIG. 22

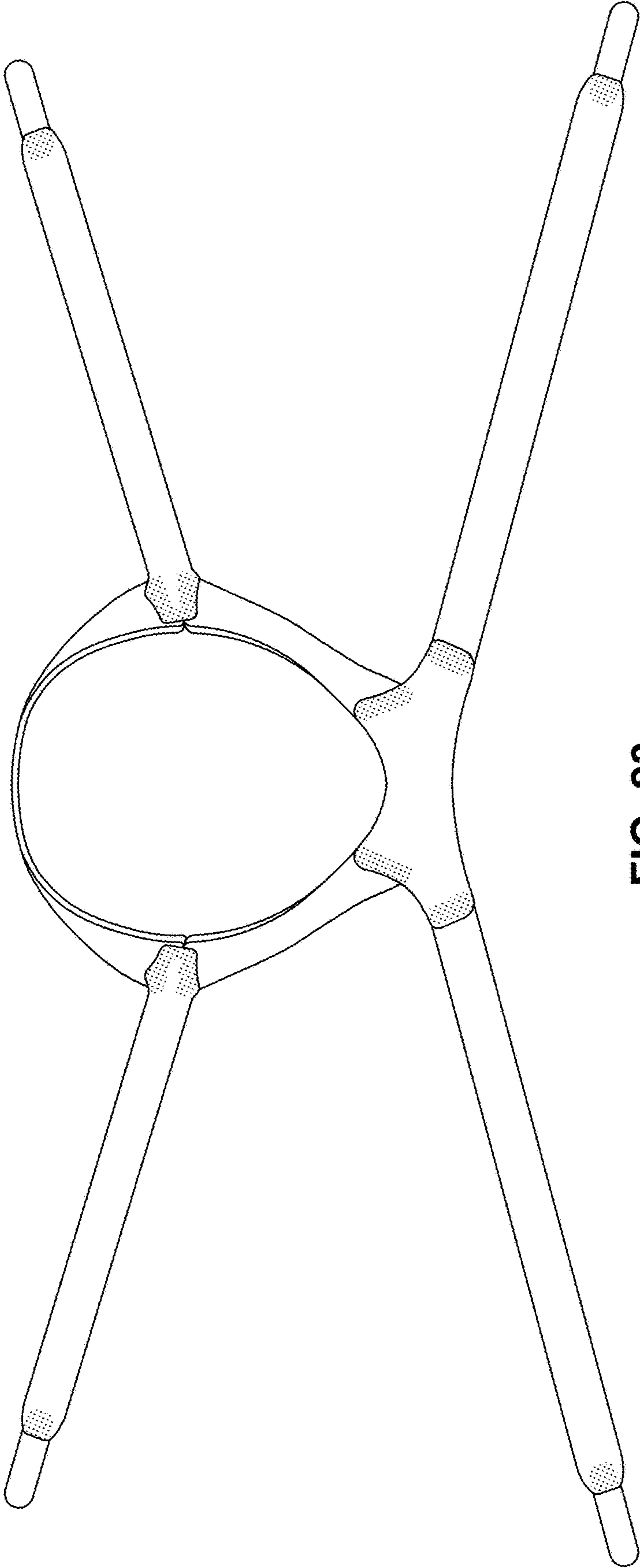


FIG. 23

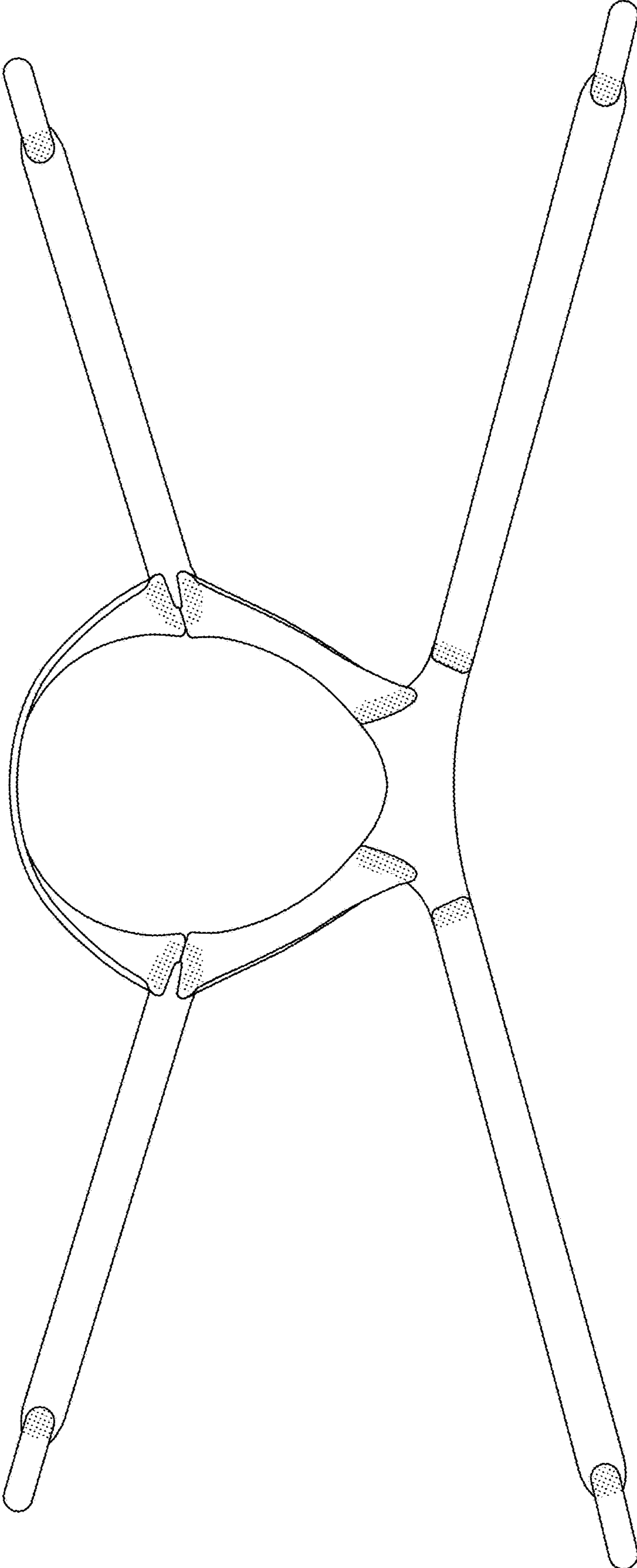


FIG. 24

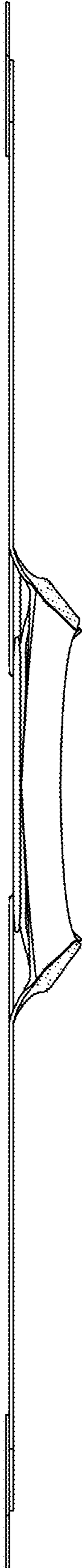


FIG. 25

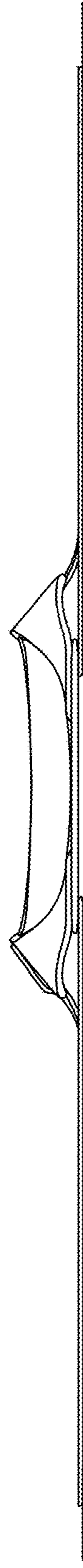


FIG. 26



FIG. 27



FIG. 28